



US00D404232S

# United States Patent [19]

Kump et al.

[11] Patent Number: **Des. 404,232**

[45] Date of Patent: **\*\*Jan. 19, 1999**

[54] **SHELF EXTENDER**

[75] Inventors: **Daniel J. Kump**, Gates Mills; **Stephen D. Wamsley**, Lakewood; **Joseph P. Kosir**, Cleveland, all of Ohio

[73] Assignee: **Fasteners For Retail, Inc.**, Cleveland, Ohio

[\*\*] Term: **14 Years**

[21] Appl. No.: **73,415**

[22] Filed: **Jul. 8, 1997**

[51] **LOC (6) Cl.** ..... **06-04**

[52] **U.S. Cl.** ..... **D6/511**

[58] **Field of Search** ..... D6/574, 418, 509-511, D6/513, 572, 474, 477, 479; 220/482; 108/97, 152, 90-92, 106, 108, 16, 27, 65, 147.11, 147.12, 147.16, 147.17; 211/90.01, 126.1, 126.16, 133.1, 88.01, 134, 135, 153, 186

### [56] **References Cited**

#### U.S. PATENT DOCUMENTS

D. 265,703	8/1982	Zaro	.....	D6/574
D. 272,401	1/1984	Spamer	.....	D6/574
D. 292,352	10/1987	Hampshire et al.	.....	D6/418
D. 306,878	3/1990	Crowley	.	
D. 322,531	12/1991	Hobson	.....	D6/574
D. 361,238	8/1995	Richards et al.	.....	D6/574
3,193,108	7/1965	Johnson	.	
3,195,734	7/1965	Paige	.	
3,289,615	12/1966	Marschak	.	
3,556,306	1/1971	Shell	.....	211/90.01

3,647,078	3/1972	Fortunato	.	
3,741,131	6/1973	Leadbetter	.	
3,744,645	7/1973	Hochman	.	
3,872,974	3/1975	Anstatt	.	
3,907,104	9/1975	Taub	.....	220/482
3,949,880	4/1976	Fortunato	.	
4,088,081	5/1978	D'Arca	.	
4,606,280	8/1986	Poulton et al.	.....	108/152 X
5,549,054	8/1996	Lewis	.	

### OTHER PUBLICATIONS

Fasteners For Retail 1997 Buyers Guide entitled "Our Experience is on Display" (4 pages).

*Primary Examiner*—James Gandy  
*Assistant Examiner*—Linda Brooks  
*Attorney, Agent, or Firm*—Fay, Sharpe, Beall, Fagan, Minnich & McKee

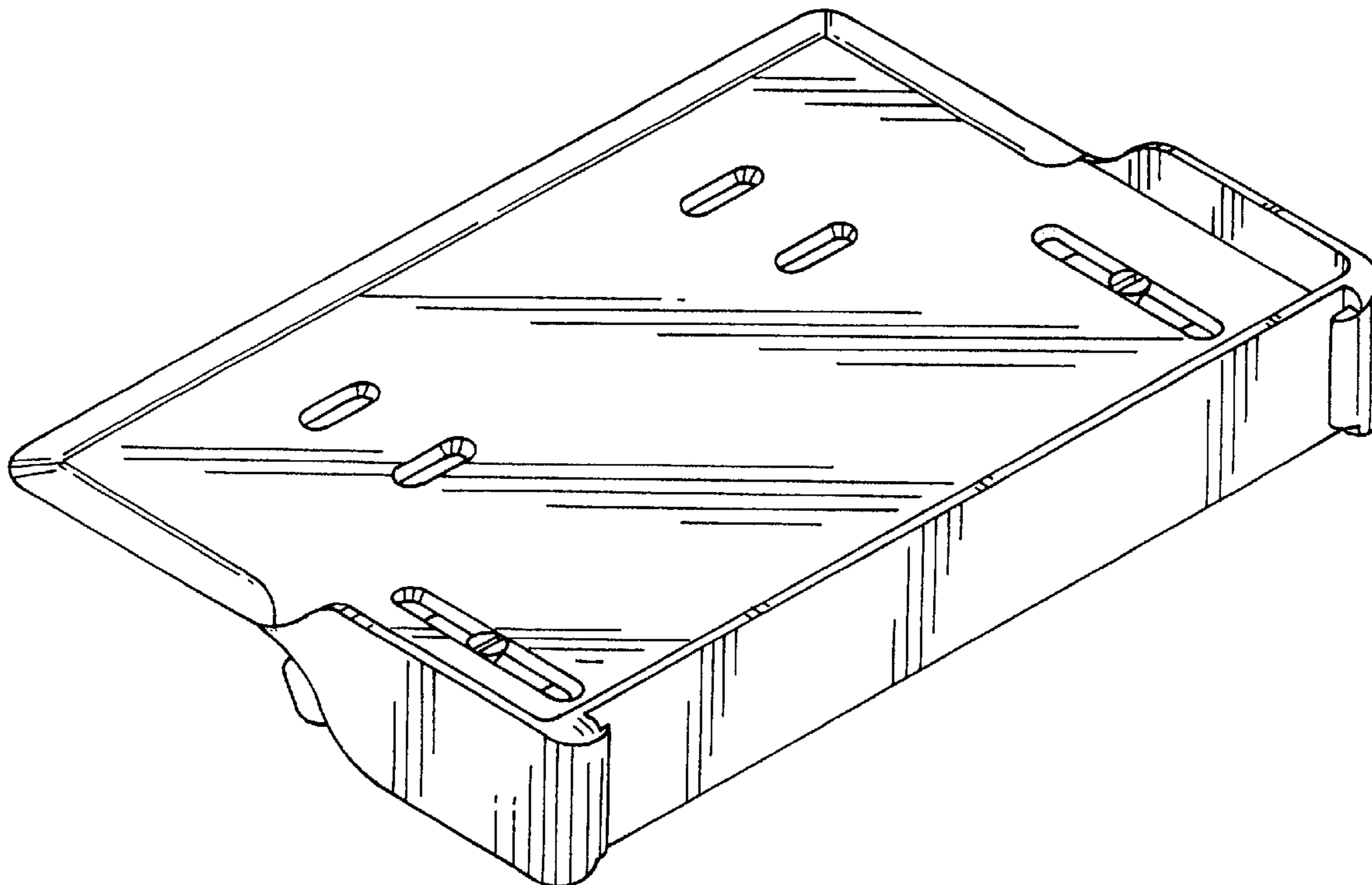
### [57] **CLAIM**

The ornamental design for a shelf extender, as shown.

### DESCRIPTION

FIG. 1 is a perspective view of a shelf extender formed in accordance with the present invention as shown from the upper left thereof;  
FIG. 2 is a side elevational view from the left side thereof;  
FIG. 3 is a side elevational view from the right side thereof;  
FIG. 4 is a top plan view thereof;  
FIG. 5 is a front elevational view thereof;  
FIG. 6 is a rear elevational view thereof; and,  
FIG. 7 is a bottom plan view thereof.

**1 Claim, 3 Drawing Sheets**



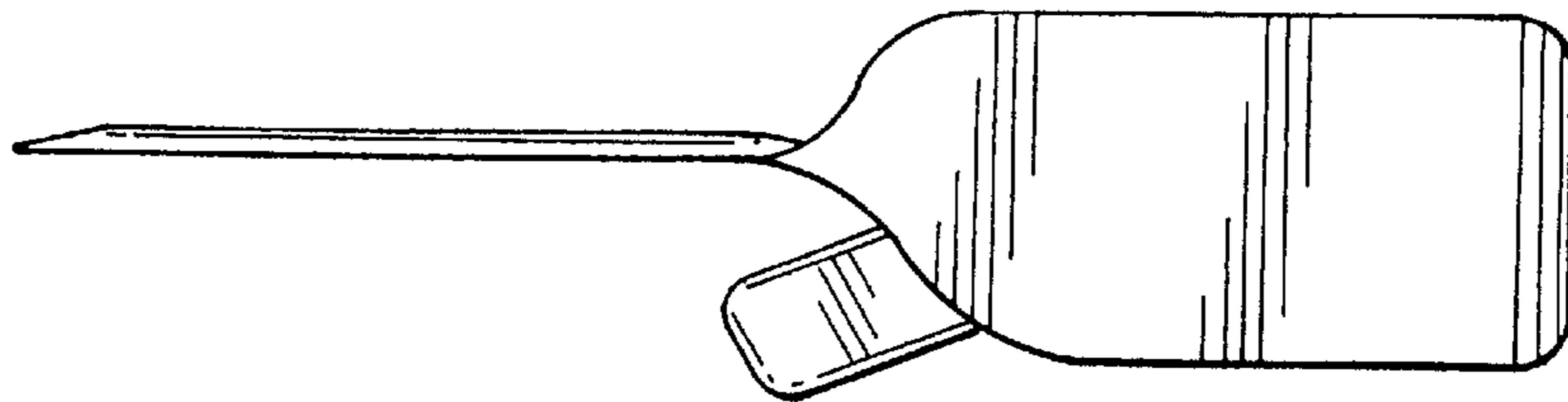
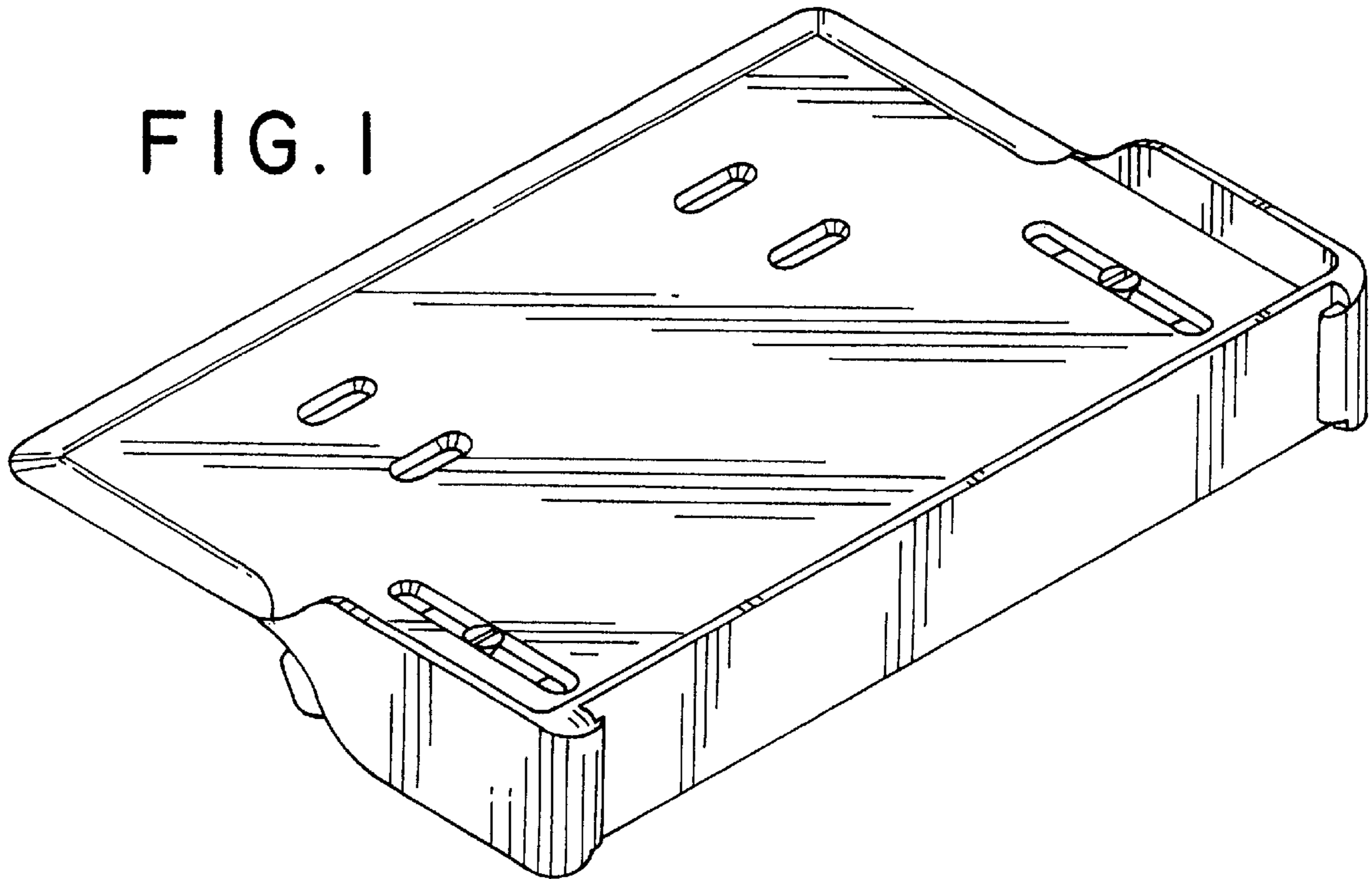


FIG. 2

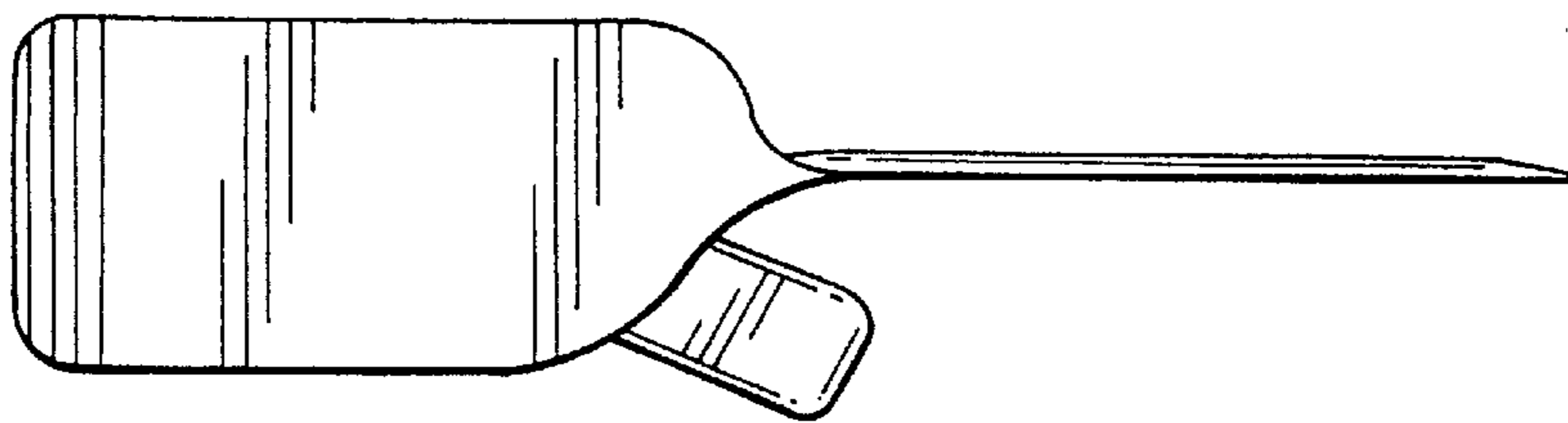


FIG. 3

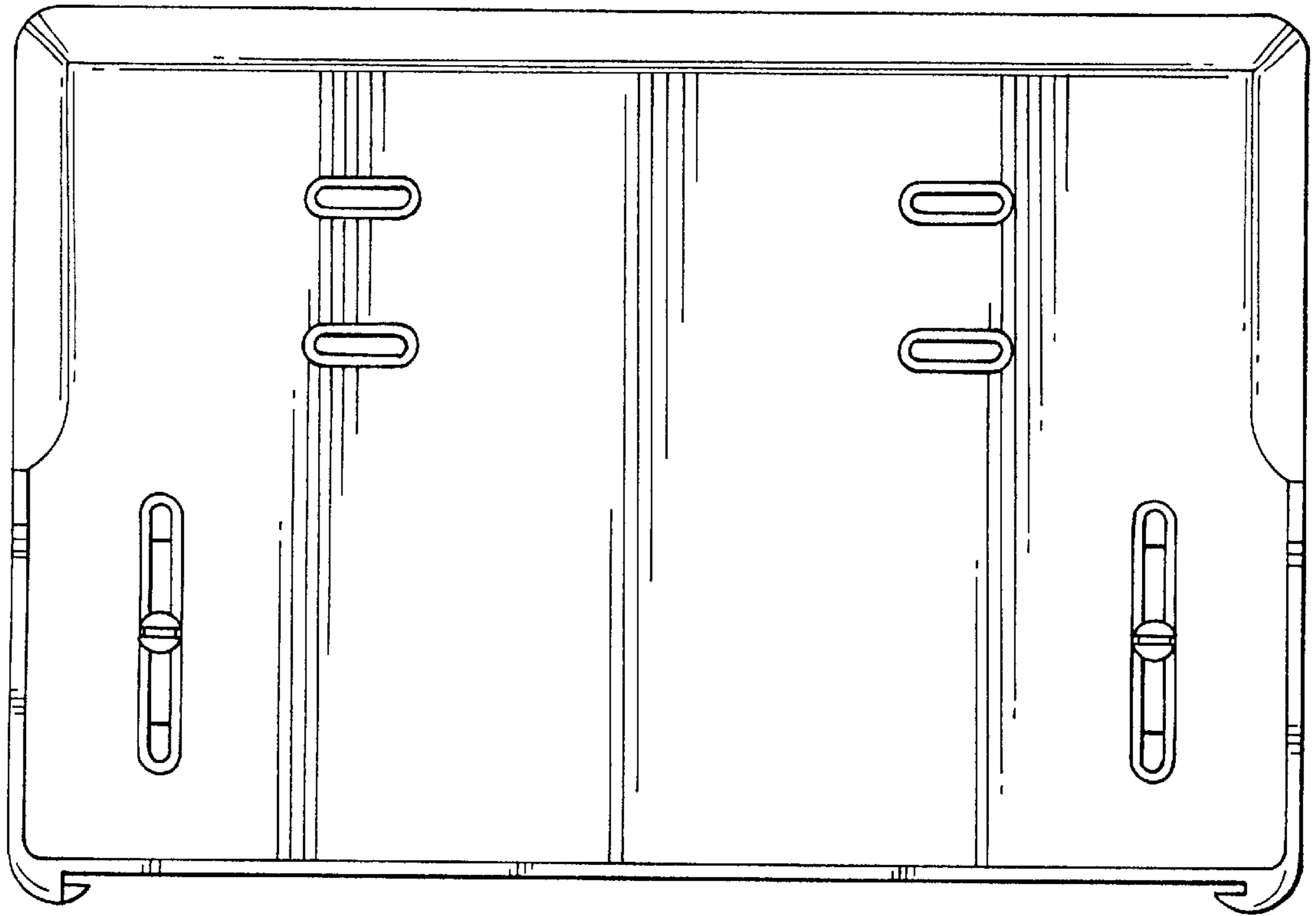


FIG. 4

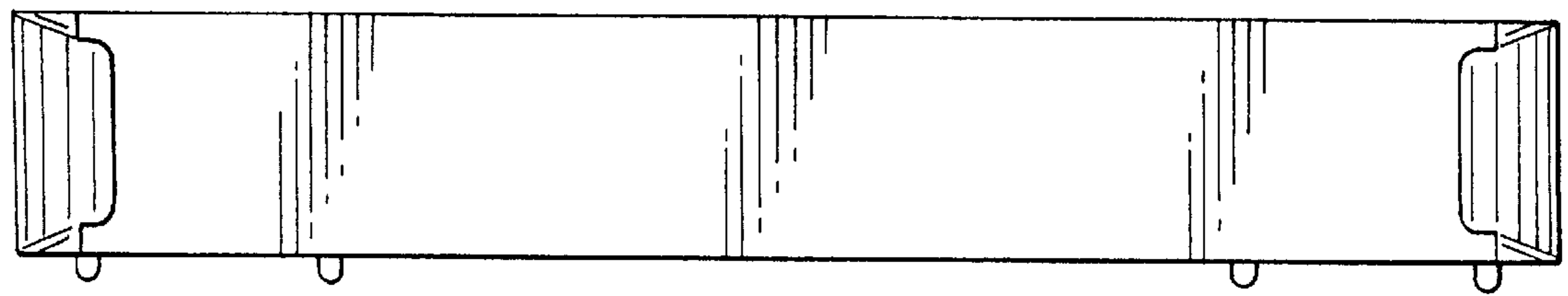


FIG. 5

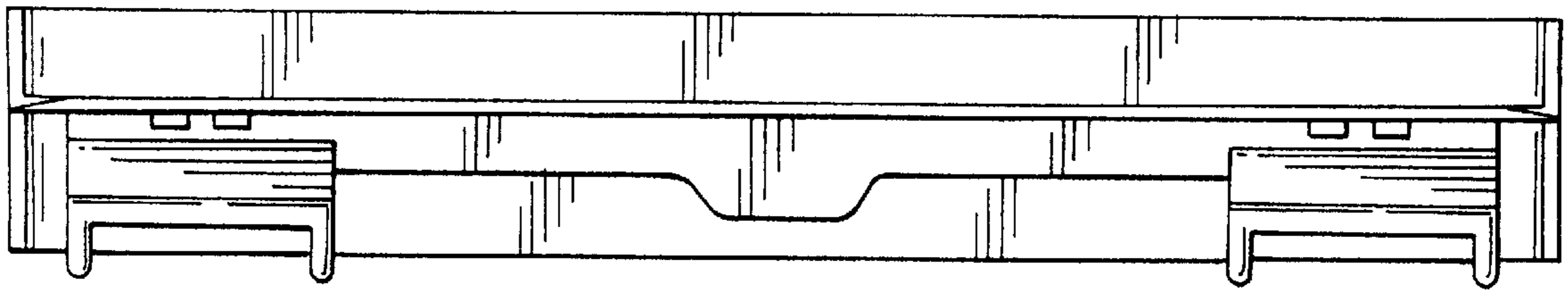


FIG. 6

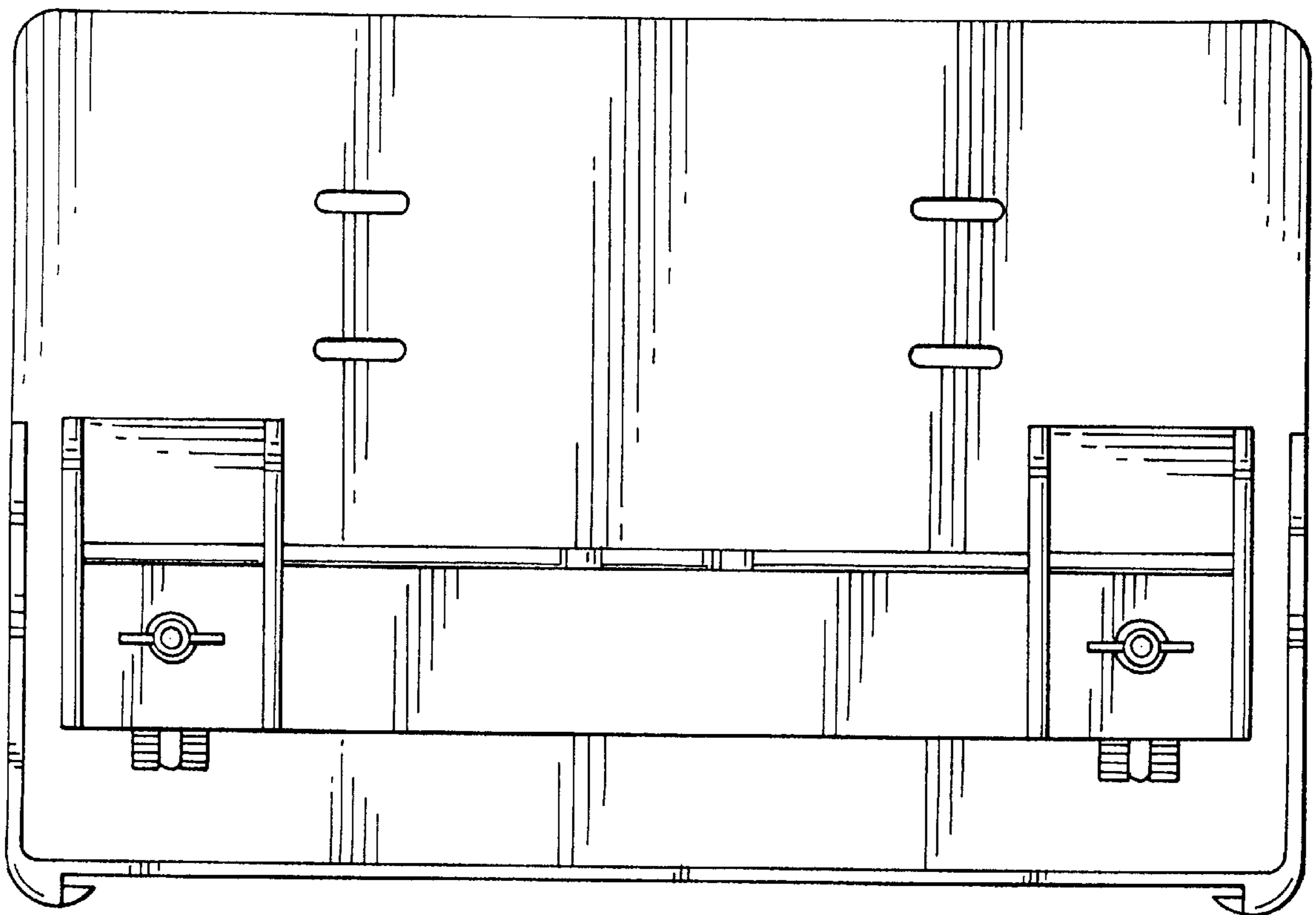


FIG. 7