



US00D404231S

United States Patent [19] Woodring

[11] **Patent Number: Des. 404,231**

[45] **Date of Patent: **Jan. 19, 1999**

[54] **INTERLOCKING DRAWER ORGANIZER**

[75] Inventor: **Cooper C. Woodring**, Topeka, Kans.

[73] Assignee: **Barbara D. Arner**, Oxnard, Calif.

[**] Term: **14 Years**

[21] Appl. No.: **73,026**

[22] Filed: **Jun. 27, 1997**

[51] **LOC (6) Cl. 06-04**

[52] **U.S. Cl. D6/510**

[58] **Field of Search** D6/509-511, 466-468, D6/473-476, 449, 455, 457; D9/341, 424, 344, 425, 430-432, 426, 506; D3/313, 314; D19/75, 77, 85, 92, 81; 206/557-565; 220/500, 501, 507, 4.21, 4.22, 23.2, 23.4, 23.83, 23.86, 23.87, 4.27, 909, 254, 524, 334; 312/348.3, 348.1

[56] **References Cited**

U.S. PATENT DOCUMENTS

D. 235,621	7/1975	Cawrse	D9/425
D. 275,968	10/1984	Battle	D19/75
D. 296,398	6/1988	Cugley	D6/476
D. 313,556	1/1991	Smith	D9/425
D. 367,172	2/1996	Brightbill et al.	D3/310

D. 386,335	11/1997	LaFreniere	D6/510
D. 387,559	12/1997	Williamson	D3/313
3,511,433	5/1970	Andrews et al.	220/4.22 X
5,050,755	9/1991	Strawder	.	
5,695,057	12/1997	Sullivan	206/557 X

Primary Examiner—James Gandy
Assistant Examiner—Linda Brooks
Attorney, Agent, or Firm—Oppenheimer Wolff & Donnelly LLP

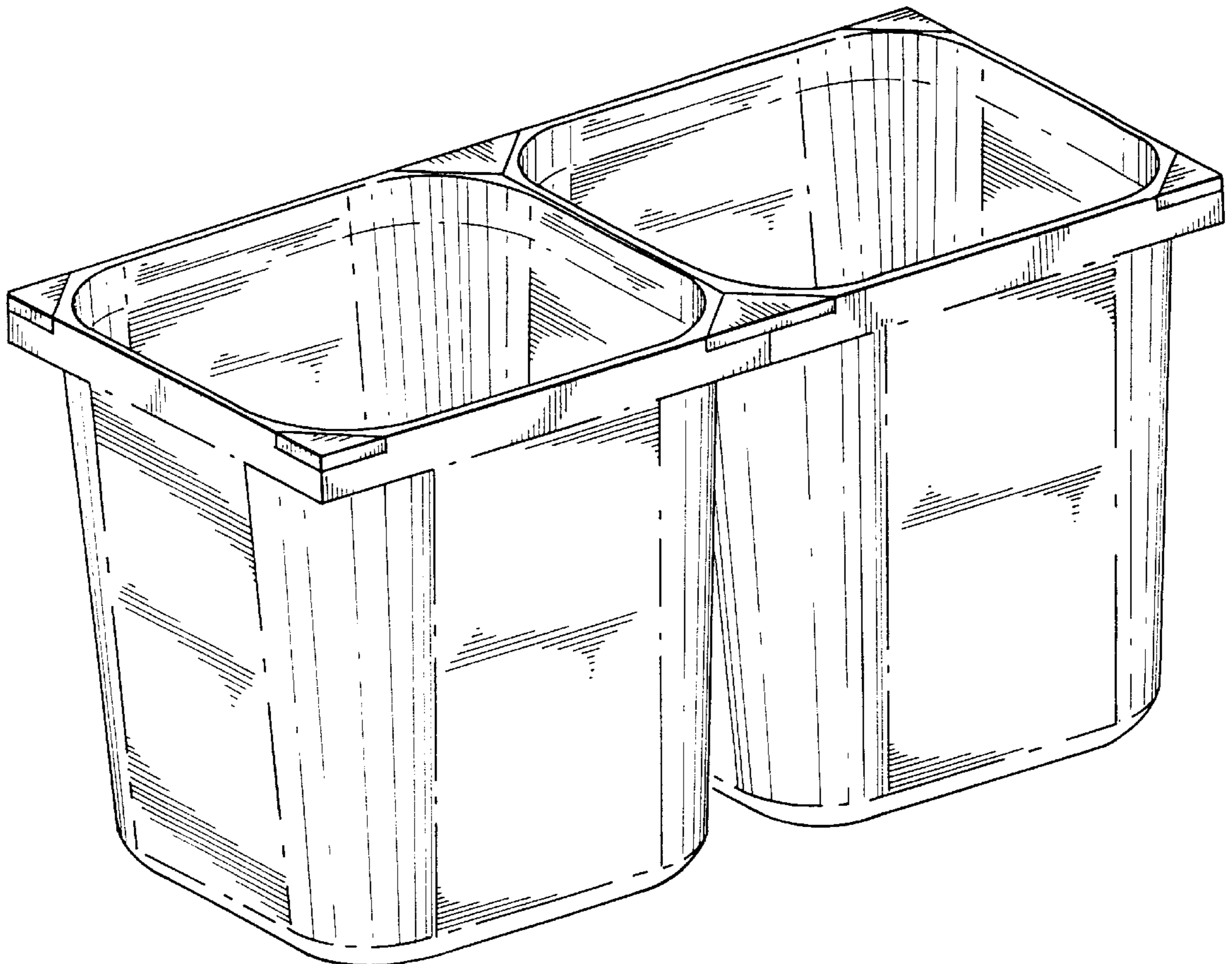
[57] **CLAIM**

The ornamental design for an interlocking drawer organizer, as shown and described.

DESCRIPTION

FIG. 1 is a front perspective view of an interlocking drawer organizer showing my new design; FIG. 2 is a front elevational view thereof, the rear elevational view being identical; FIG. 3 is a top plan view of the interlocking drawer organizer of FIGS. 1 and 2; FIG. 4 is a bottom plan view of the interlocking drawer organizer of FIGS. 1 to 3; and, FIG. 5 is a left side elevational view of the interlocking drawer organizer of FIGS. 1 to 4, the right side elevational view being identical.

1 Claim, 5 Drawing Sheets



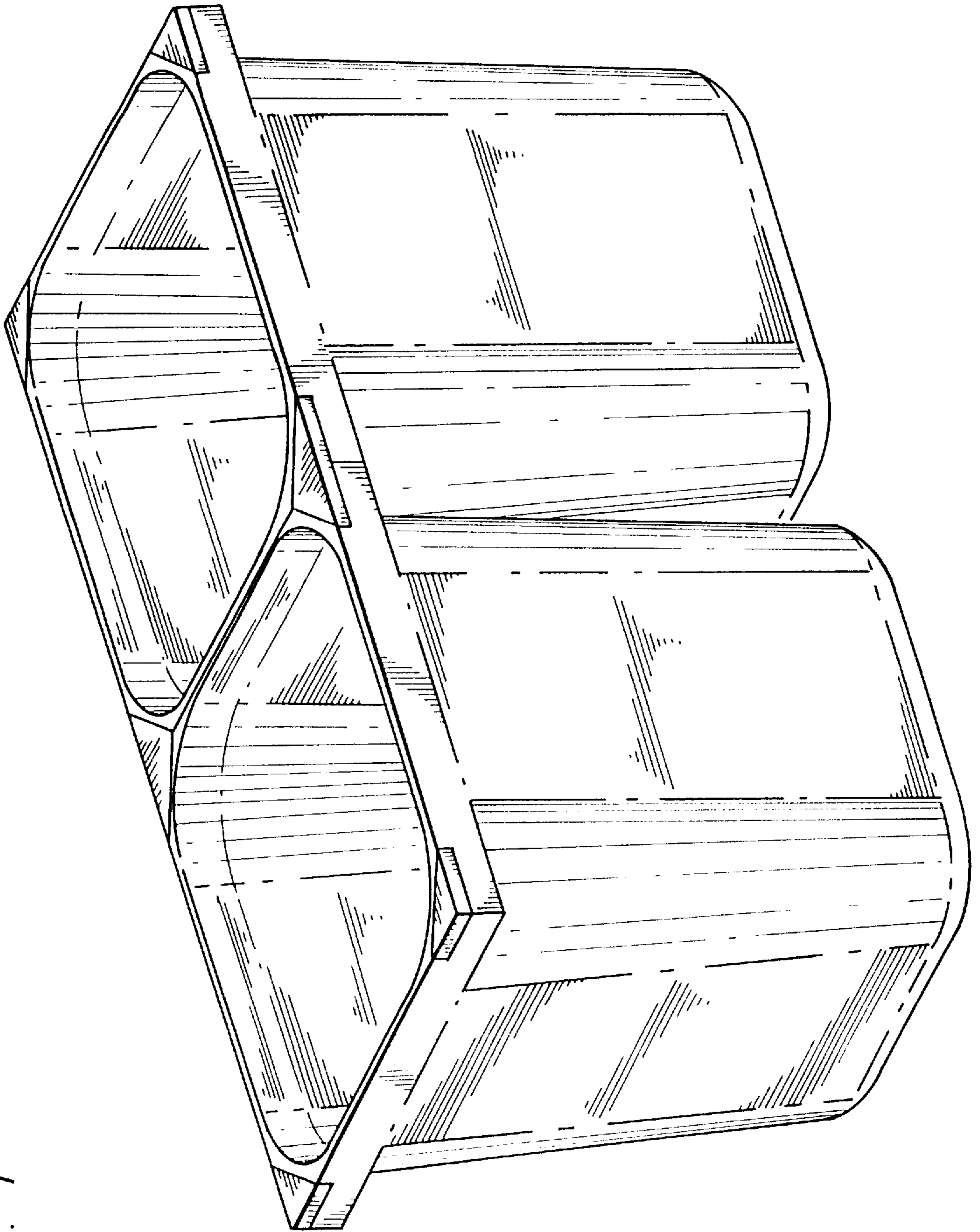


FIG. 1

FIG. 2

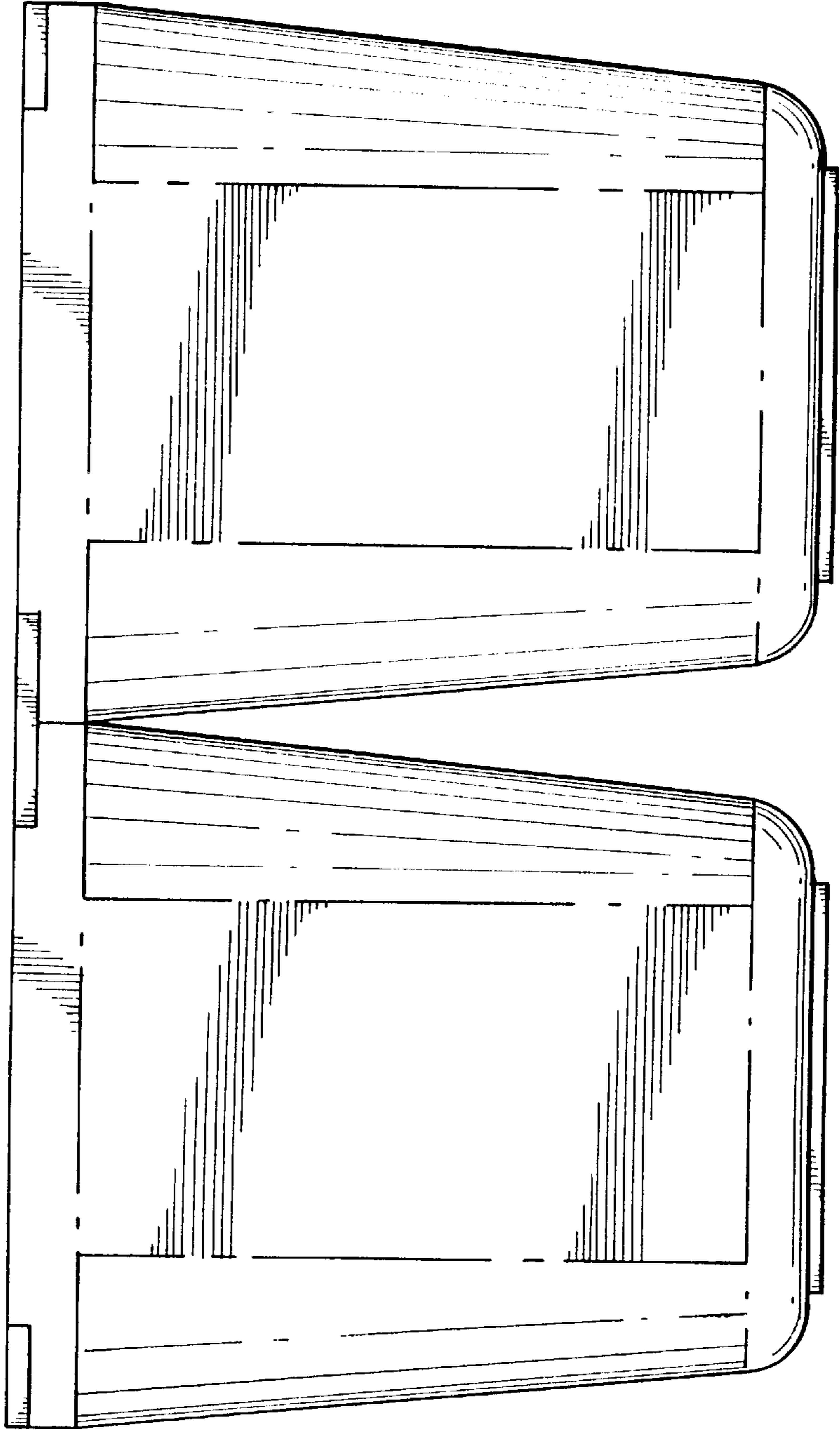


FIG. 3

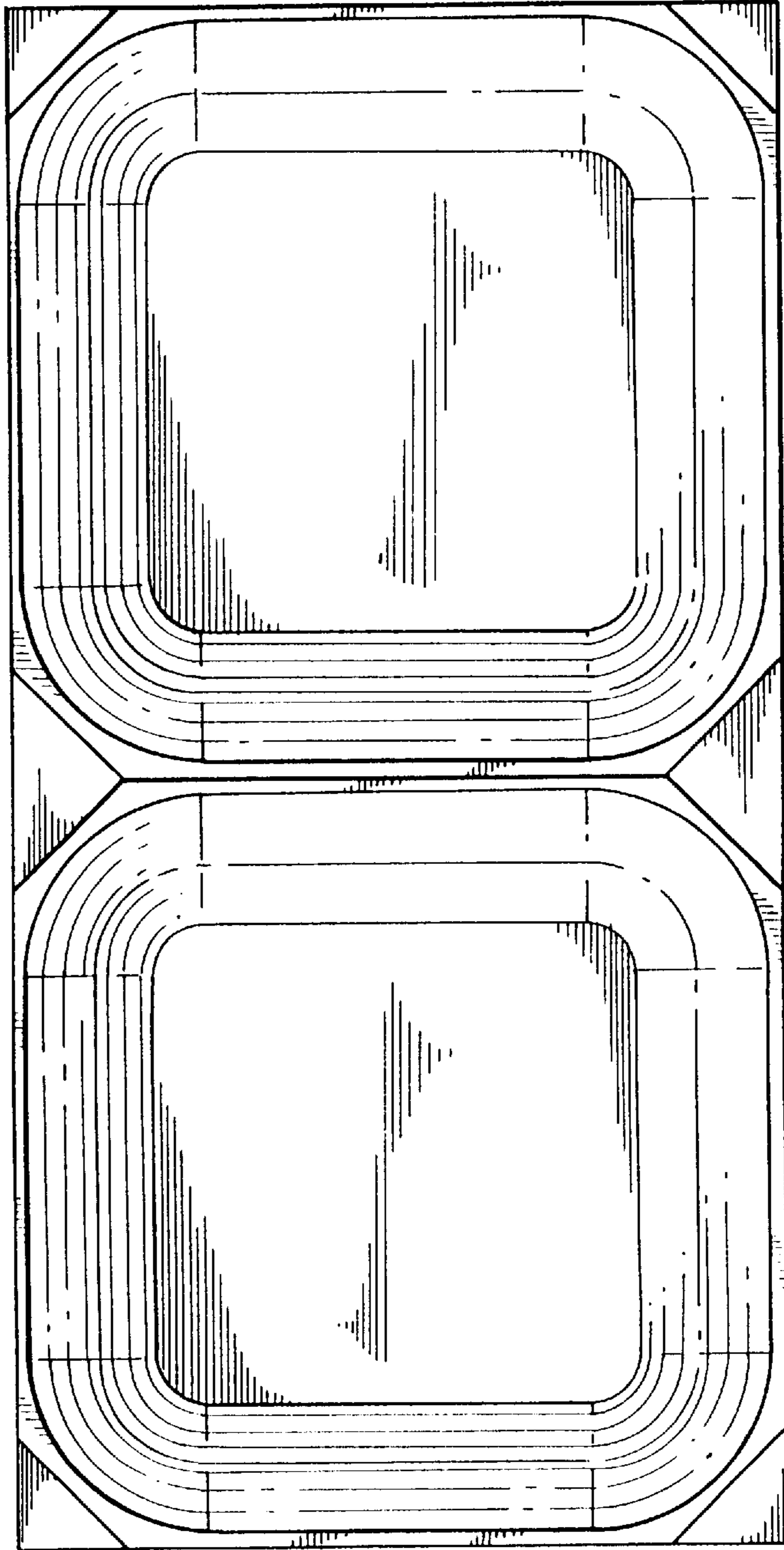


FIG. 4

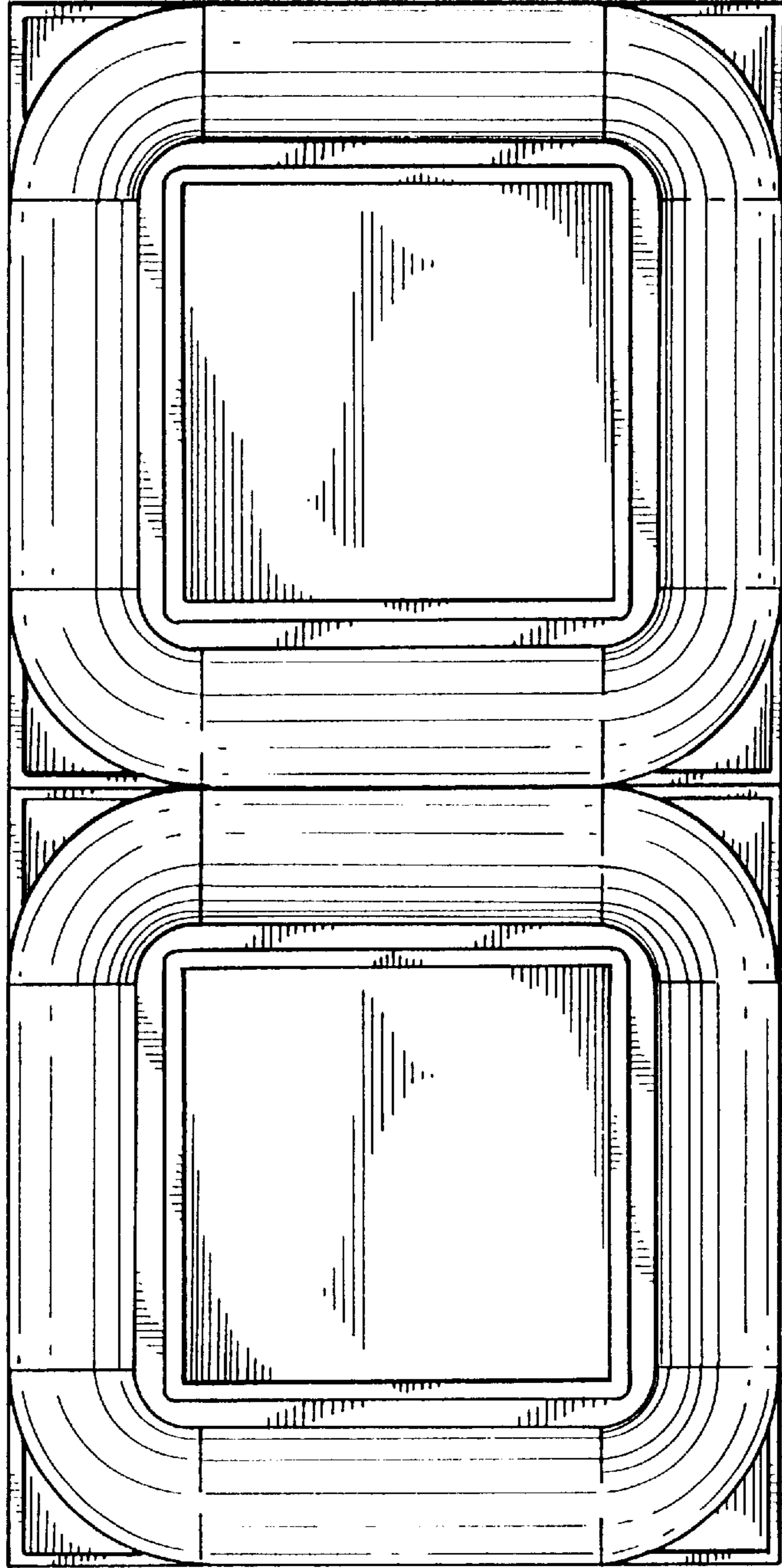


FIG. 5

