



US00D404228S

# United States Patent [19] Schwartz

[11] Patent Number: Des. 404,228

[45] Date of Patent: \*\*Jan. 19, 1999

[54] TUBE END CAP

[75] Inventor: David L. Schwartz, Florence, Ala.

[73] Assignee: AHC Inc., Florence, Ala.

[\*\*] Term: 14 Years

[21] Appl. No.: 72,241

[22] Filed: Jun. 10, 1997

### Related U.S. Application Data

[63] Continuation-in-part of Ser. No. 55,674, Jun. 10, 1996, Pat. No. Des. 390,382, which is a continuation of Ser. No. 642,750, May 3, 1996, abandoned.

[51] LOC (6) Cl. .... 06-06

[52] U.S. Cl. .... D6/495

[58] Field of Search ..... D6/480-489, 495-499, D6/423; 108/153, 155, 156, 161, 157; 248/188.1, 188.8, 188.9

### [56] References Cited

#### U.S. PATENT DOCUMENTS

D. 331,511	12/1992	Stafford	.....	D6/489
D. 335,983	6/1993	Gutgsell	.....	D6/495
D. 355,318	2/1995	Gutgsell	.....	D6/498
D. 390,382	2/1998	Schwartz	.....	D6/480

Primary Examiner—Janice E. Seeger  
Attorney, Agent, or Firm—Jones, Day, Reavis & Pogue

### [57] CLAIM

The ornamental design for a tube end cap, as shown and described.

### DESCRIPTION

FIG. 1 is a perspective view of a tube end cap in accordance with my new design, the broken lines showing a table with a tubular leg structure having the new cap thereon, the broken lines being for illustrative purposes only and forming no part of the claimed design;

FIG. 2 is an enlarged perspective view thereof;

FIG. 3 is an enlarged top view thereof;

FIG. 4 is an enlarged side view thereof, the broken lines showing the leg tube and a support foot for illustrative purposes only, the tube and the support foot forming no part of the claimed design;

FIG. 5 is an enlarged front view thereof;

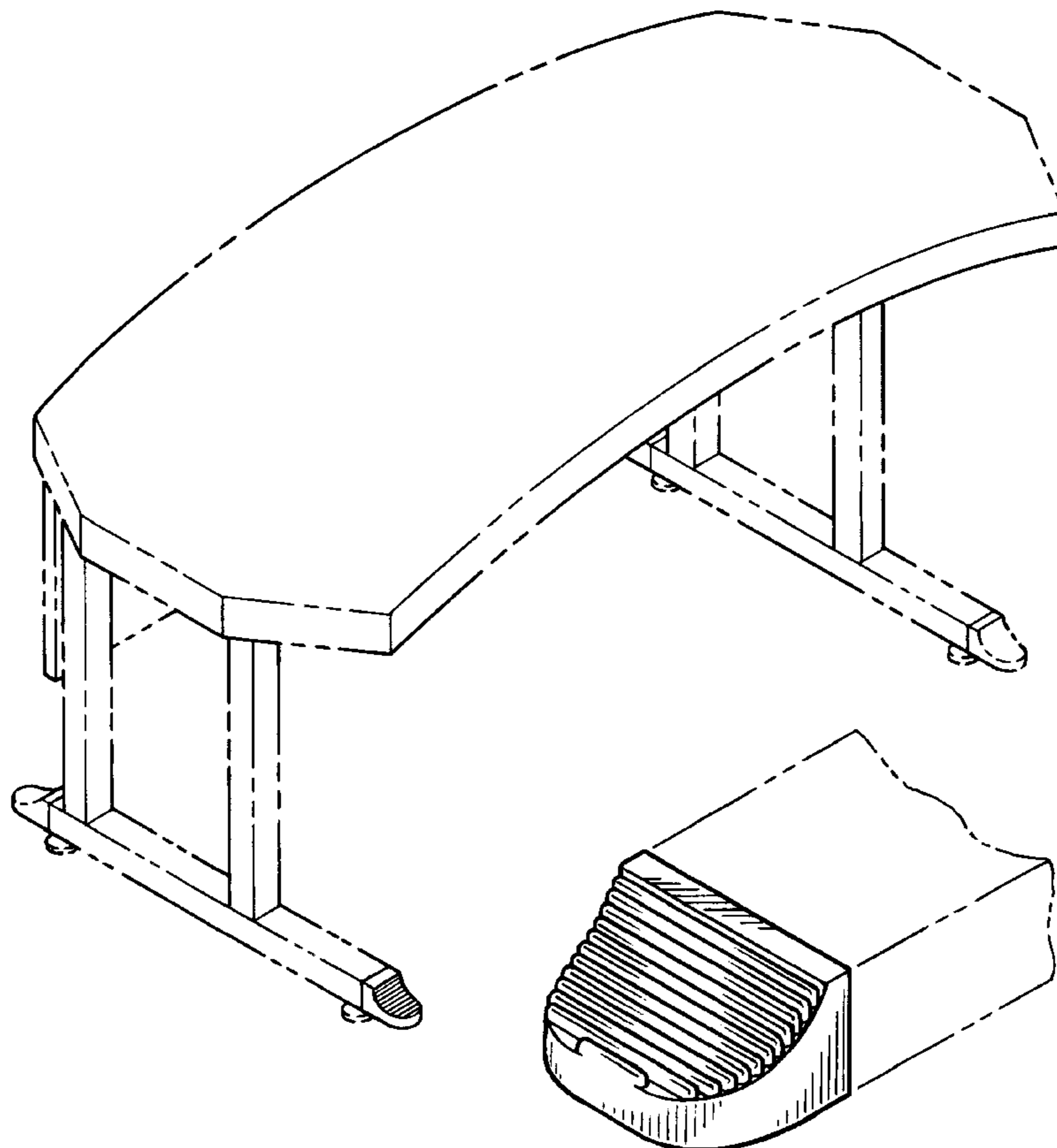
FIG. 6 is an enlarged bottom view thereof;

FIG. 7 is an enlarged front perspective view of the end cap shown removed from the leg tube, the broken lines showing the end cap extension piece which fits within the tube for illustrative purposes only and forming no part of the claimed design; and,

FIG. 8 is an enlarged rear perspective view of FIG. 7.

The broken lines are in no way intended to form part of the claimed design and are for illustrative purposes only. For purposes of illustration, the tube end cap design is shown on the leg of a table, it being understood that the claimed design is not limited for use with the particular environment shown.

1 Claim, 3 Drawing Sheets



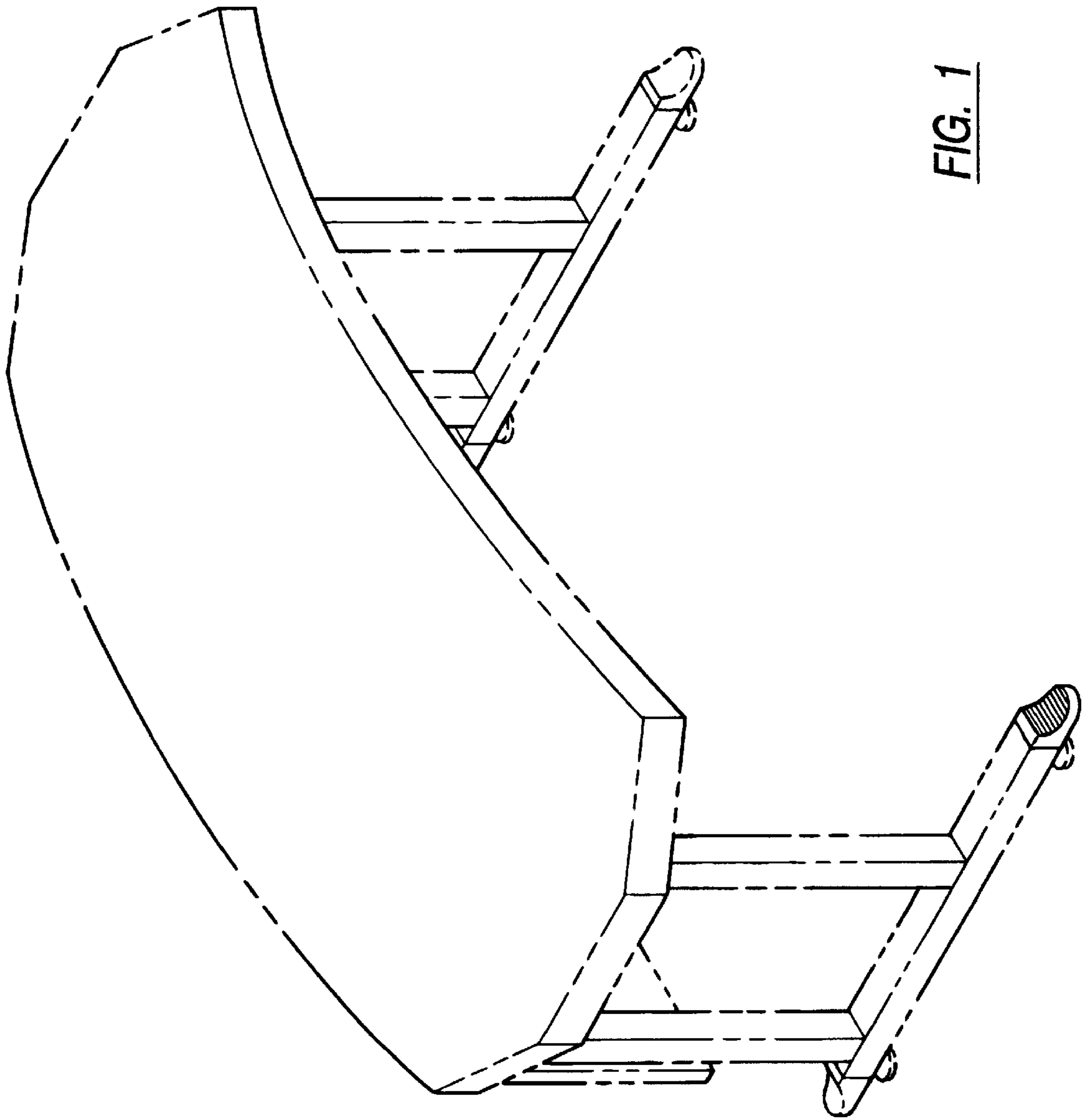


FIG. 1

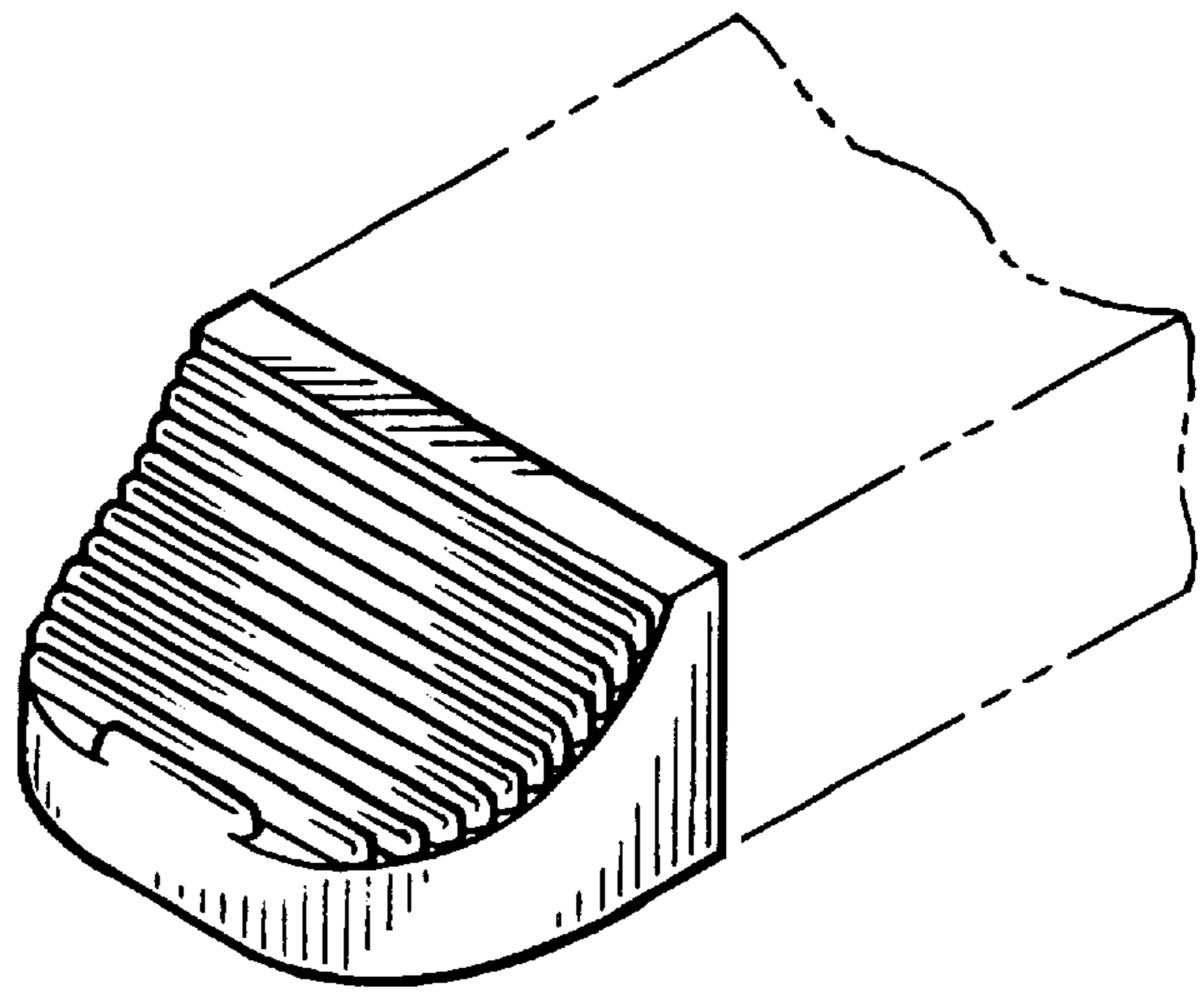


FIG. 2

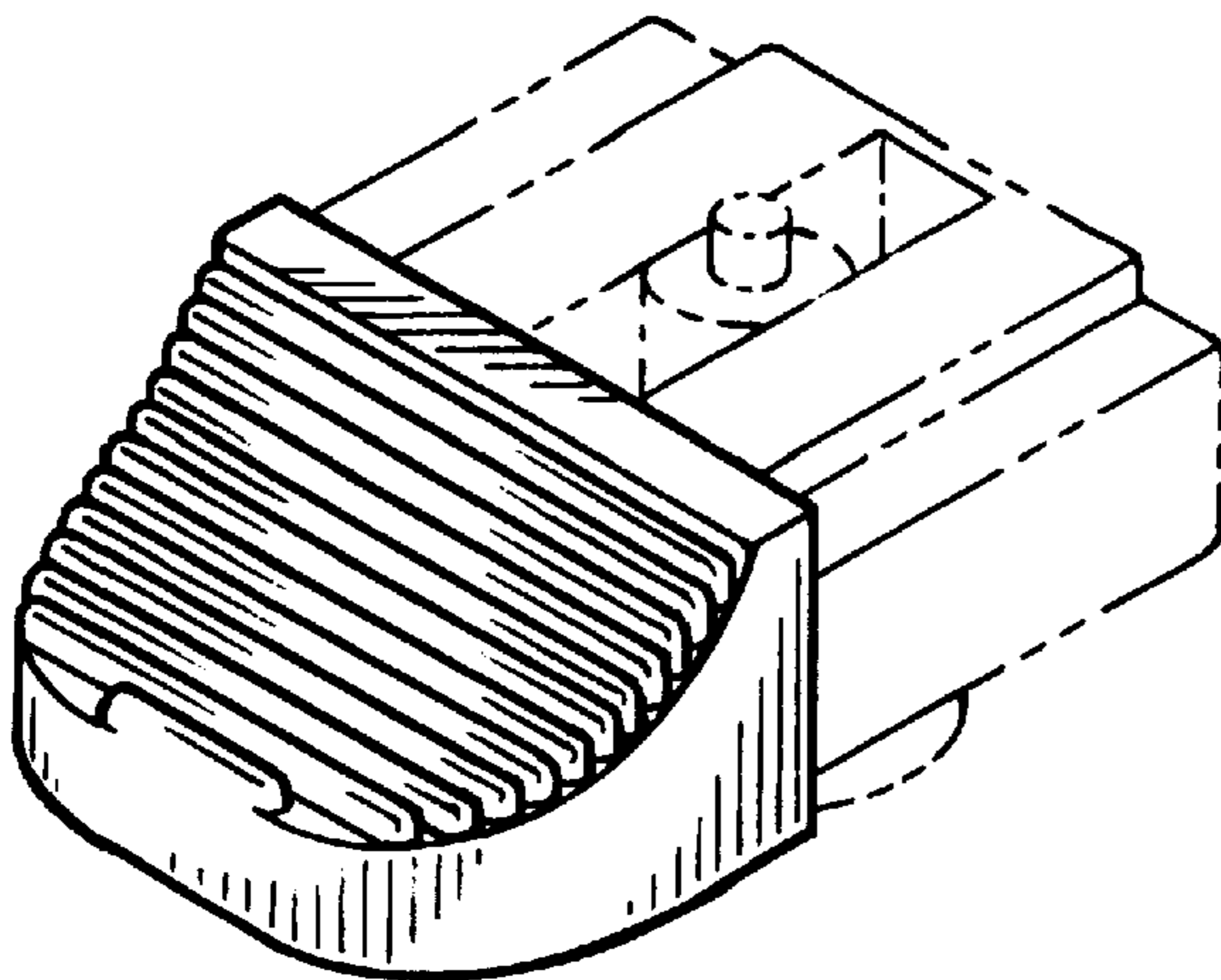


FIG. 7

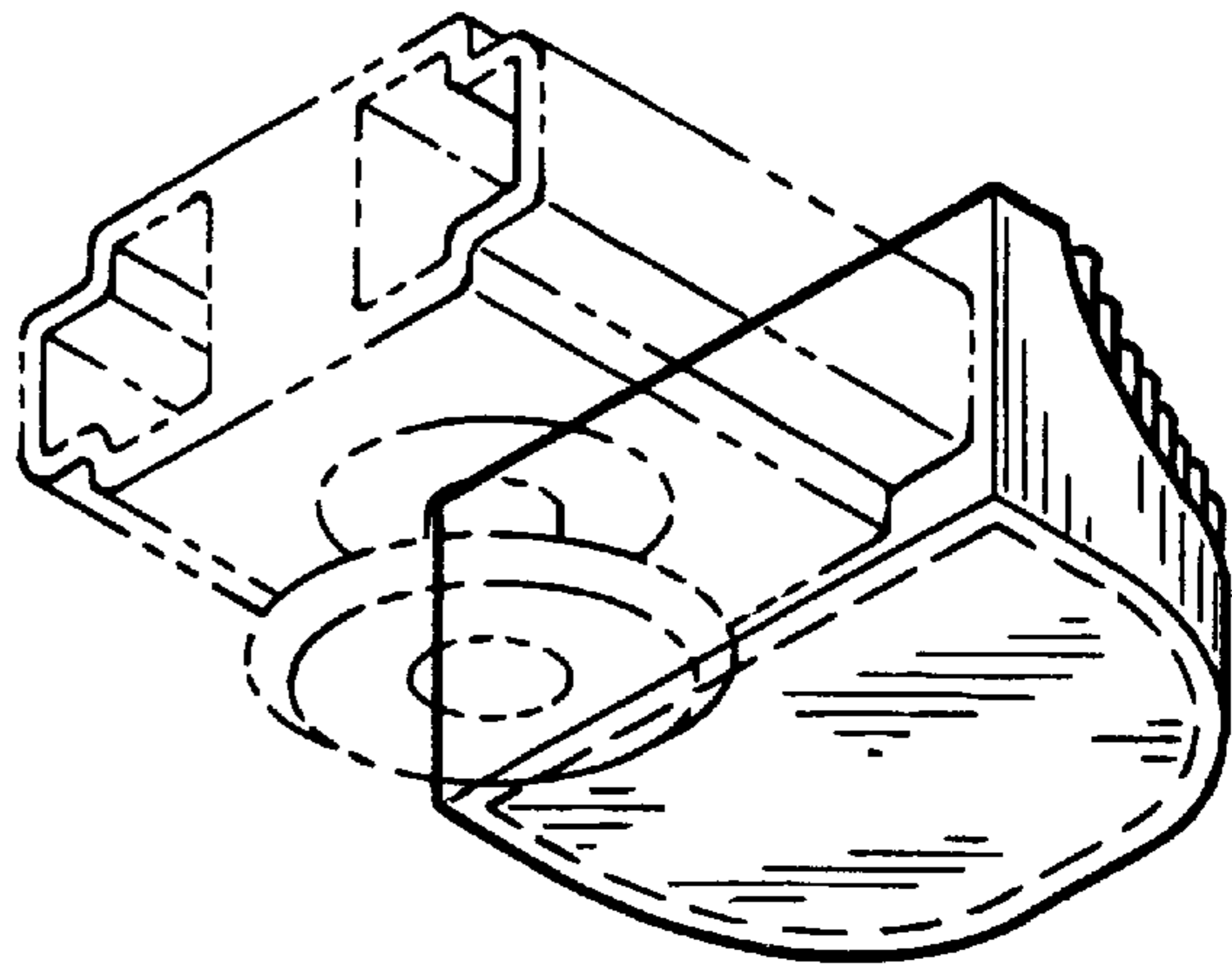


FIG. 8

FIG. 3

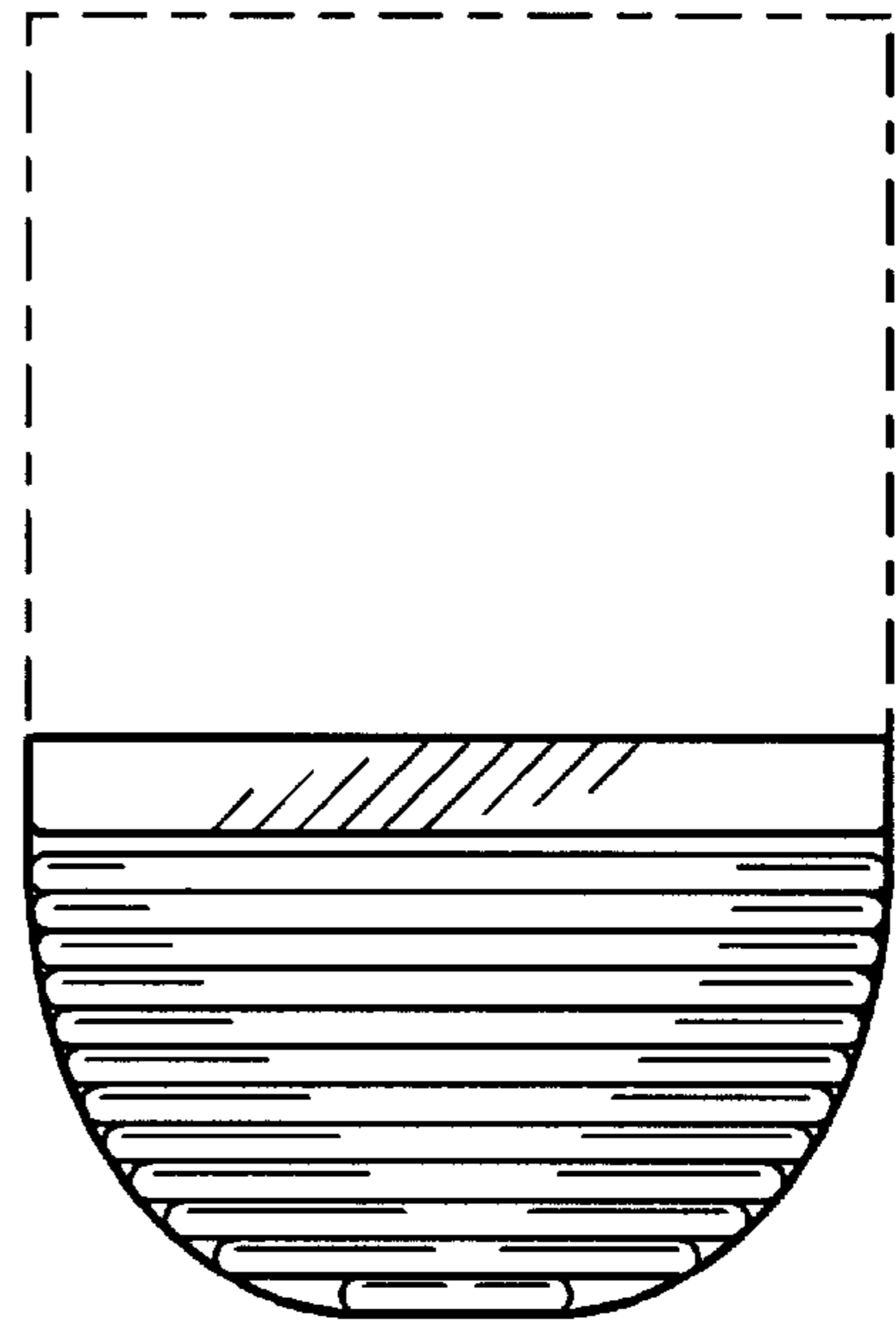


FIG. 4

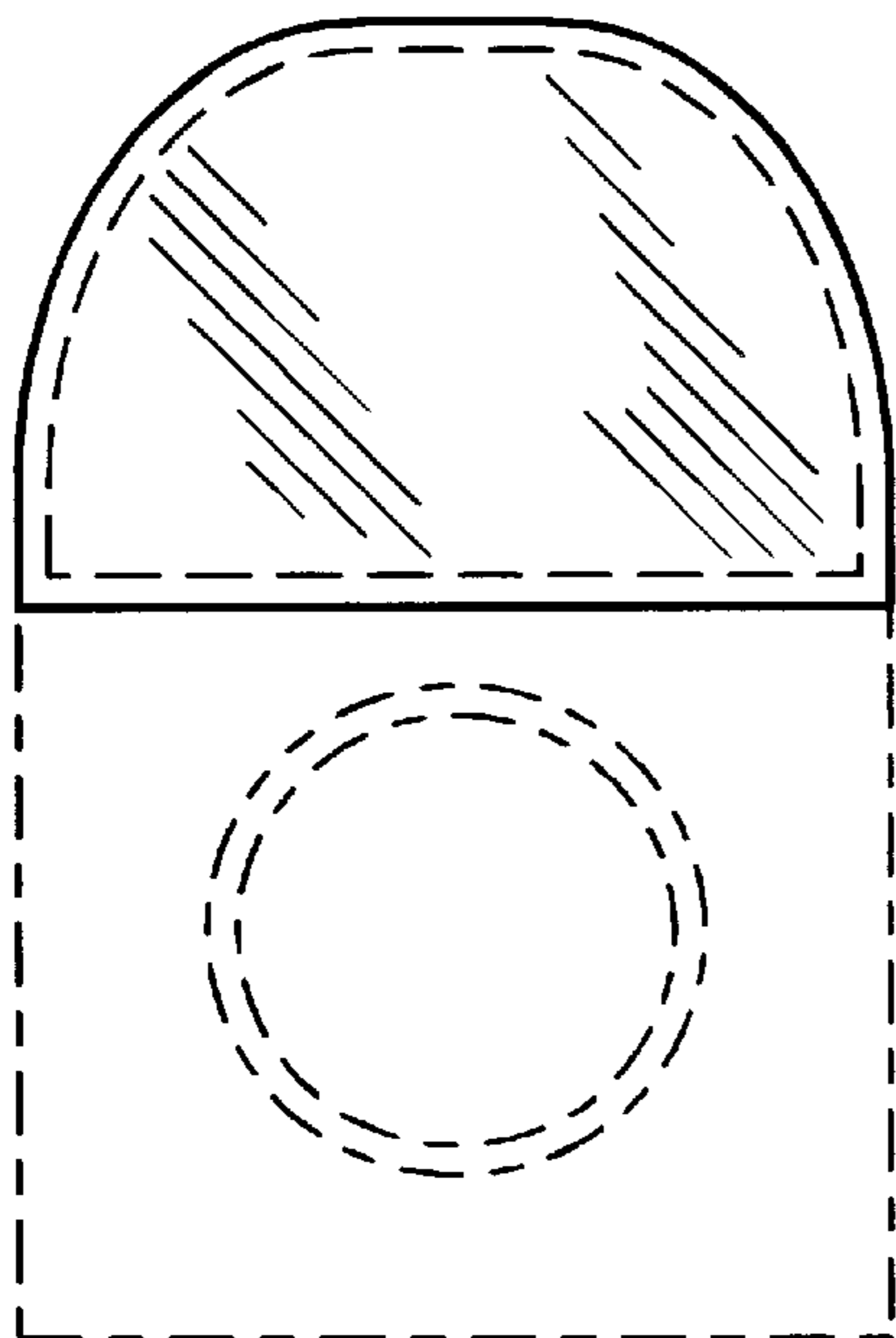
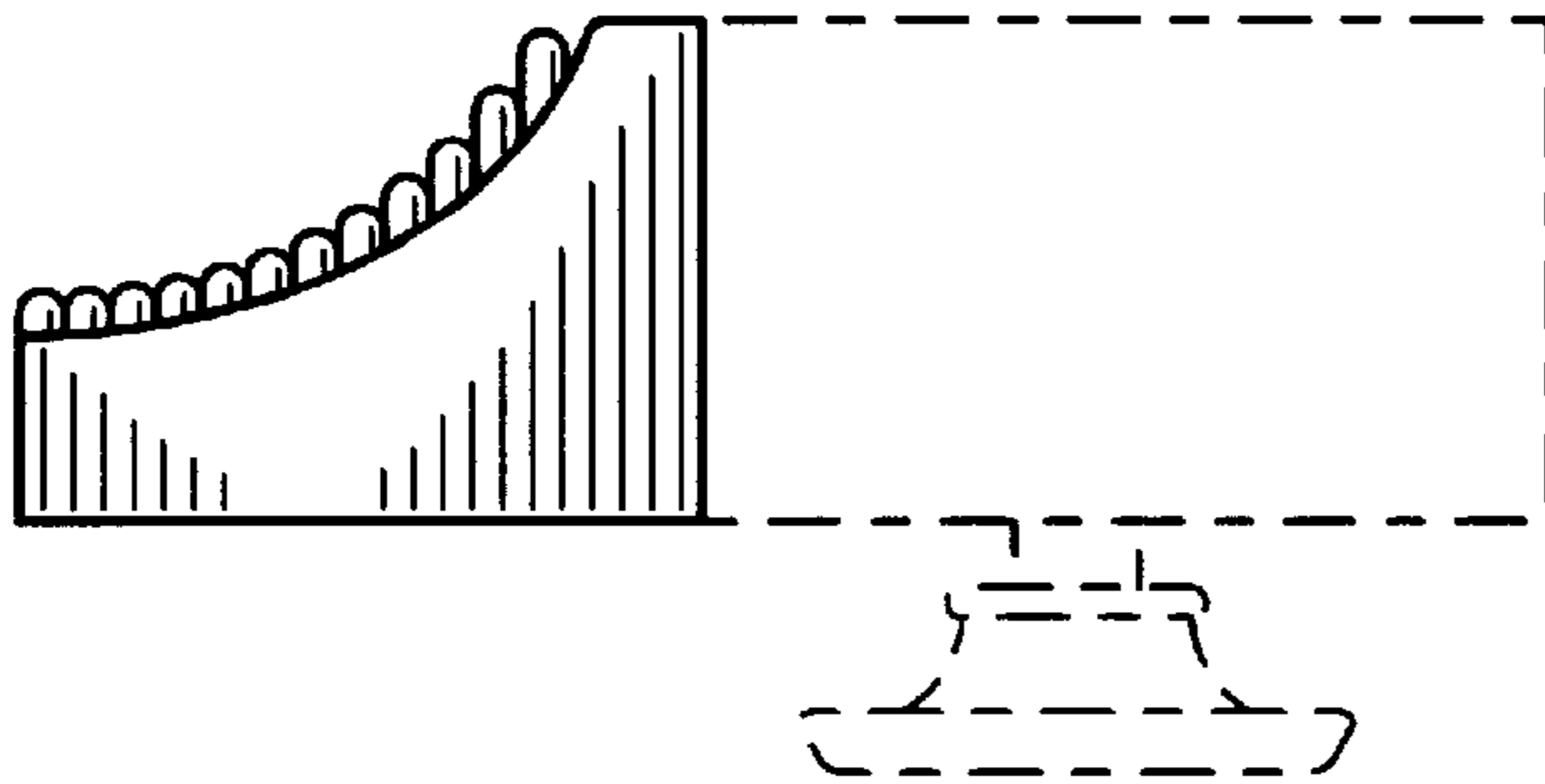


FIG. 6

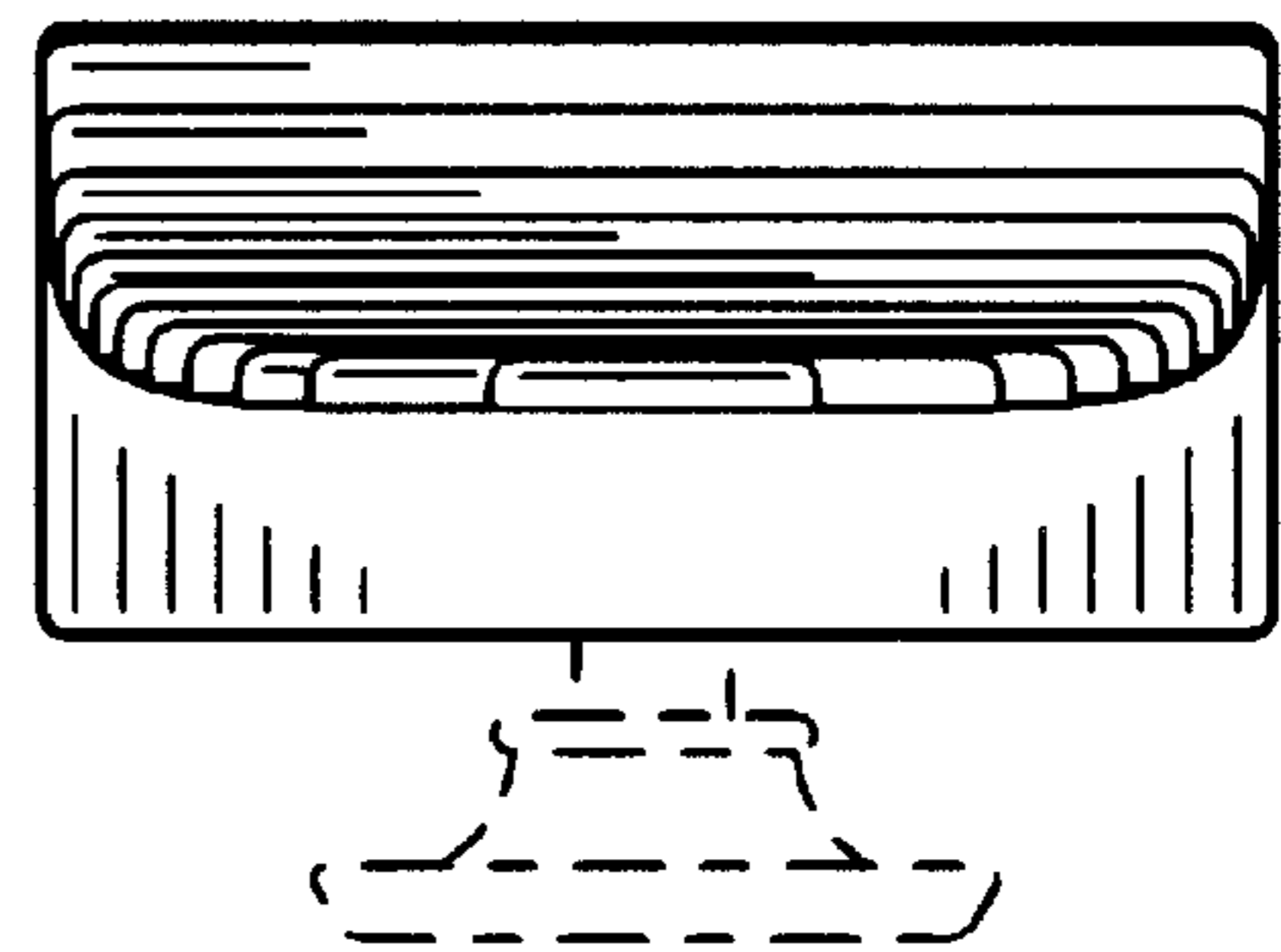


FIG. 5