



US00D404227S

United States Patent [19]
David

[11] **Patent Number: Des. 404,227**

[45] **Date of Patent: **Jan. 19, 1999**

[54] **MERCHANDISE DISPLAY RACK**

[75] Inventor: **Henry B. David**, Glendale, Calif.

[73] Assignee: **Melco Wire Products Co.**, Glendale, Calif.

[**] Term: **14 Years**

[21] Appl. No.: **84,046**

[22] Filed: **Feb. 23, 1998**

[51] **LOC (6) Cl.** **06-04**

[52] **U.S. Cl.** **D6/479**

[58] **Field of Search** D6/474, 477-479, D6/461, 464, 465; 211/135, 153, 133.1, 126.1, 186-190, 194; 108/59, 91, 60; D20/19, 27, 41; 248/146, 174; 40/606, 539

[56] **References Cited**

U.S. PATENT DOCUMENTS

D. 99,214	4/1936	Peterson	D6/474
D. 107,076	11/1937	Erickson	D6/474
D. 180,179	4/1957	Elliott	D6/479 X
D. 180,617	7/1957	Patterson	D6/464
D. 188,401	7/1960	Lux	D6/478 X
D. 212,399	10/1968	Kimler	D6/474 X
D. 232,682	9/1974	Audette	D6/474
955,734	4/1910	Wolkerstorfer	211/134

1,900,610	3/1933	Mullins	D6/479 X
4,193,351	3/1980	Belokin, Jr.	108/59
4,506,790	3/1985	Muscari	211/135 X
4,628,625	12/1986	Hepp	211/133.1 X
5,000,329	3/1991	Luberto	211/133.1 X
5,240,127	8/1993	Levin et al.	211/186

OTHER PUBLICATIONS

Retail Reporting Corporation, Point of Purchase Design Annual 3, Hill's Science Diet 4-Way Shoppable Stacker, p. 72, 1995.

Primary Examiner—James Gandy
Assistant Examiner—Linda Brooks
Attorney, Agent, or Firm—Michael A. Painter

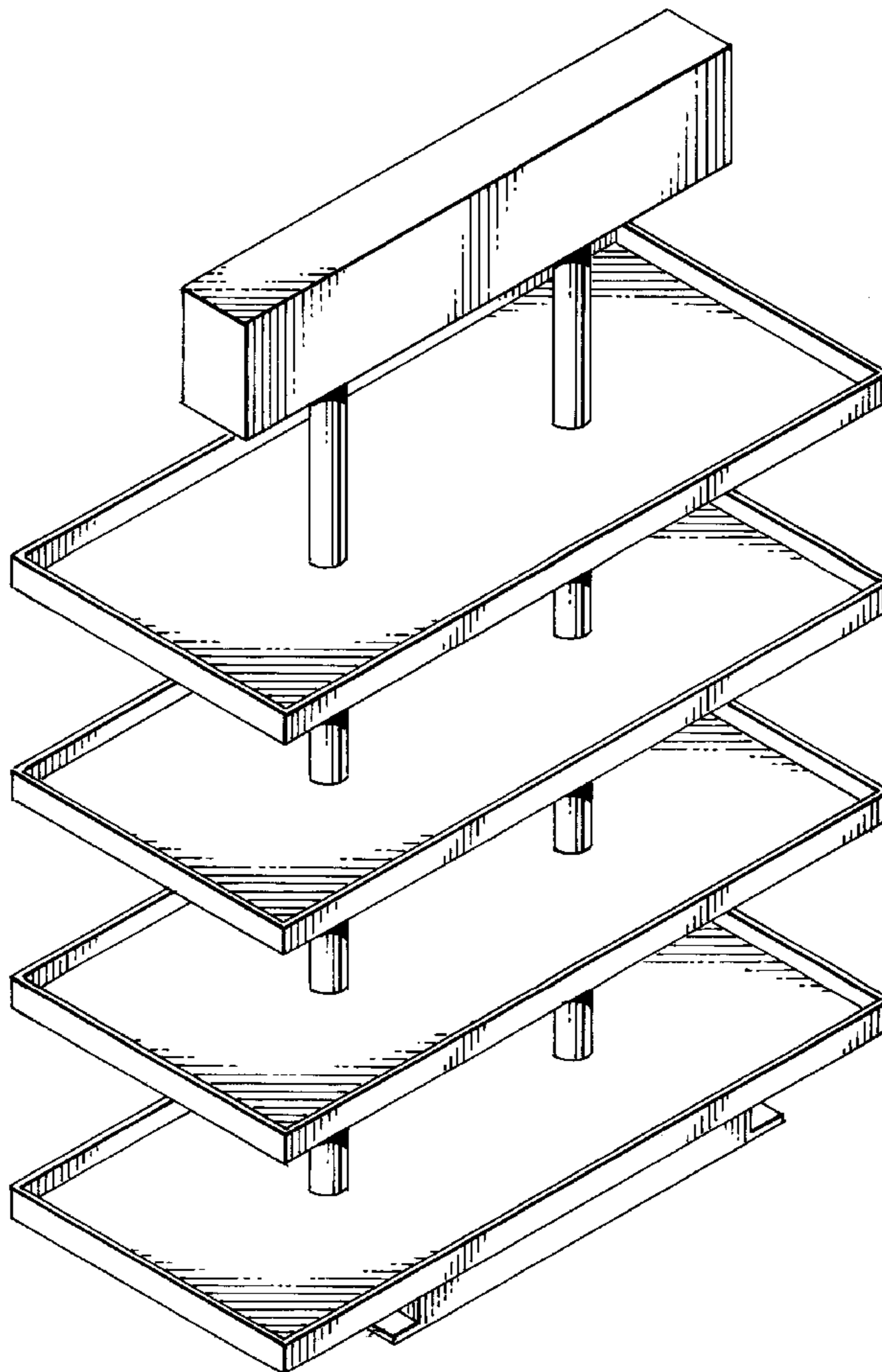
[57] **CLAIM**

The ornamental design for a merchandise display rack, as shown and described.

DESCRIPTION

FIG. 1 is a front perspective view of a merchandise display rack illustrating my new design; FIG. 2 is a front elevation view thereof, the rear elevation view being identical; FIG. 3 is a right side elevation view thereof, the left side elevation view being identical; and, FIG. 4 is a top plan view thereof.

1 Claim, 2 Drawing Sheets



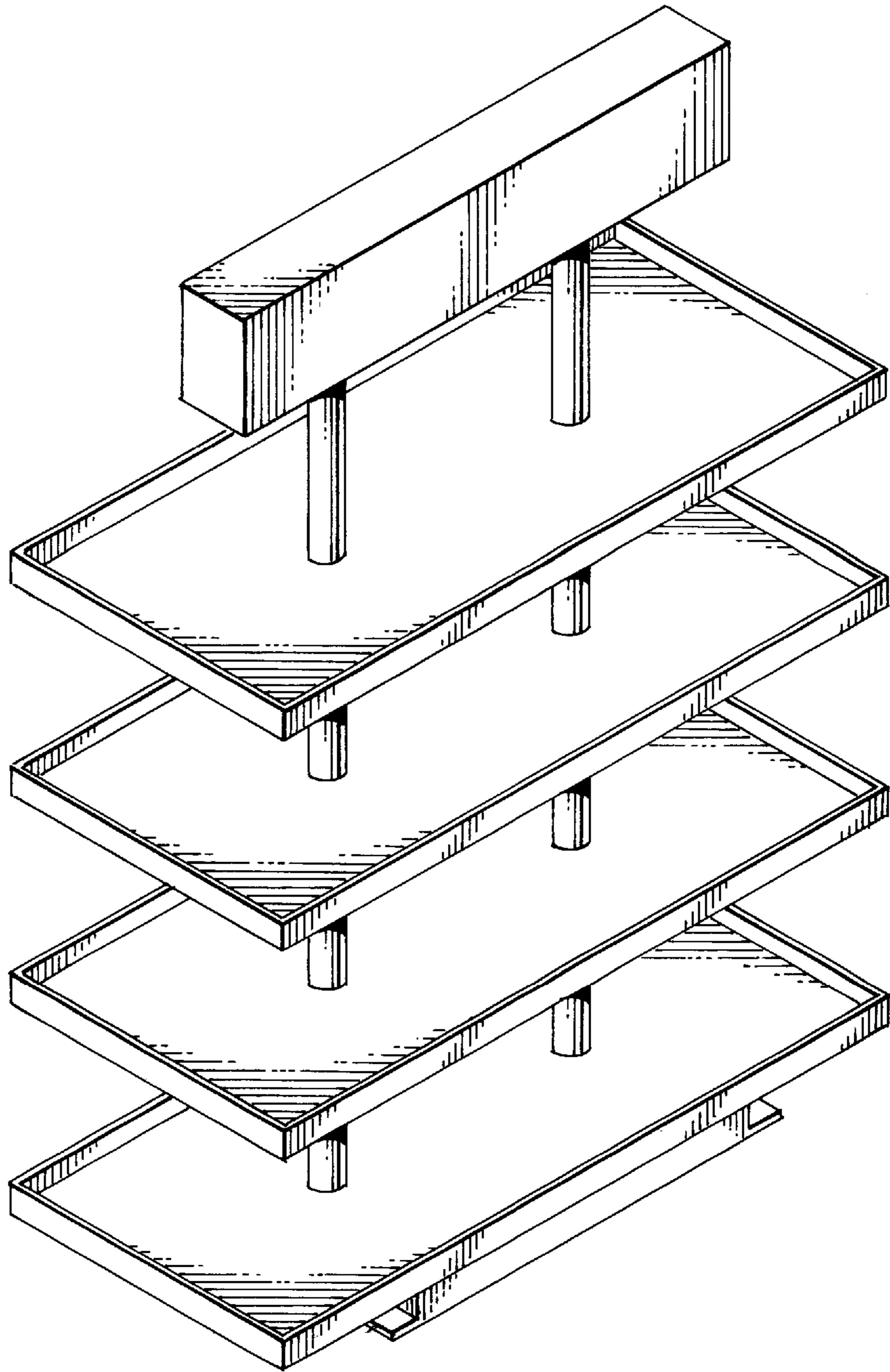


FIG. 1.

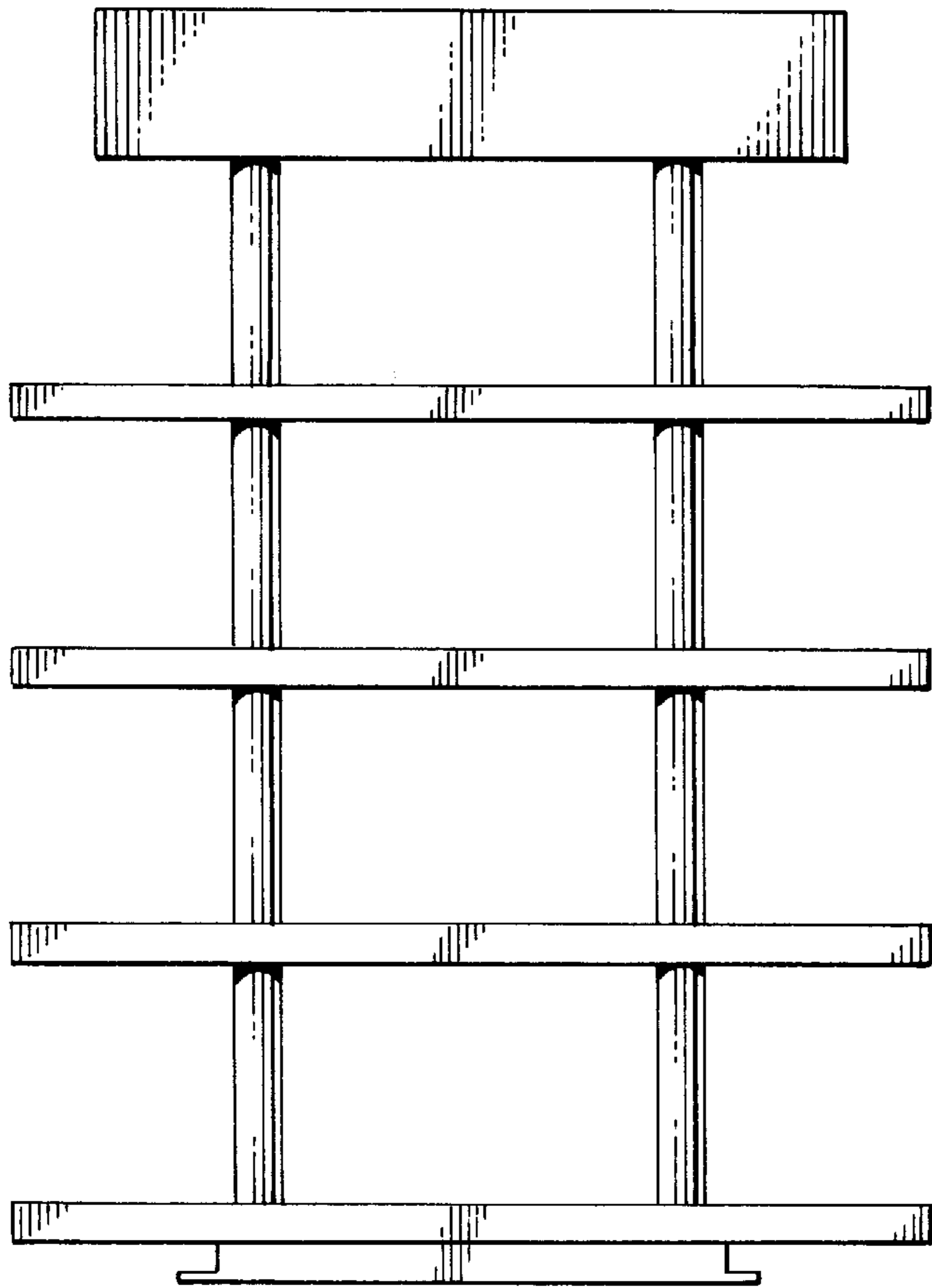


FIG. 2.

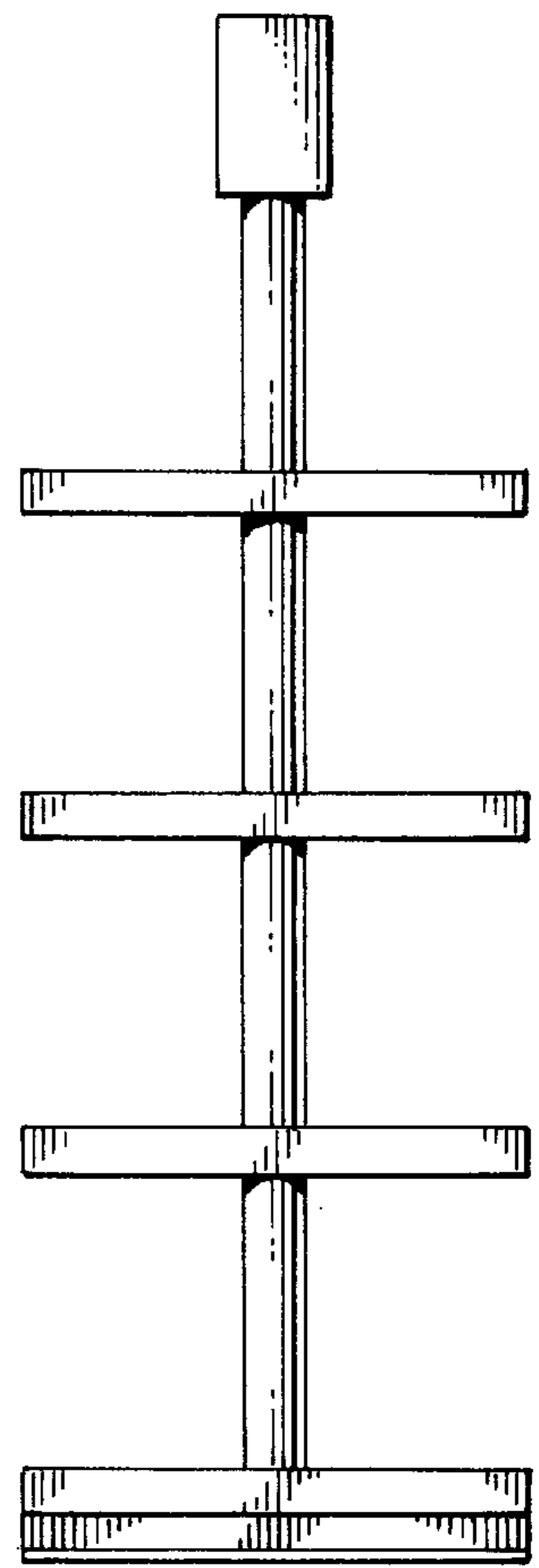


FIG. 3.

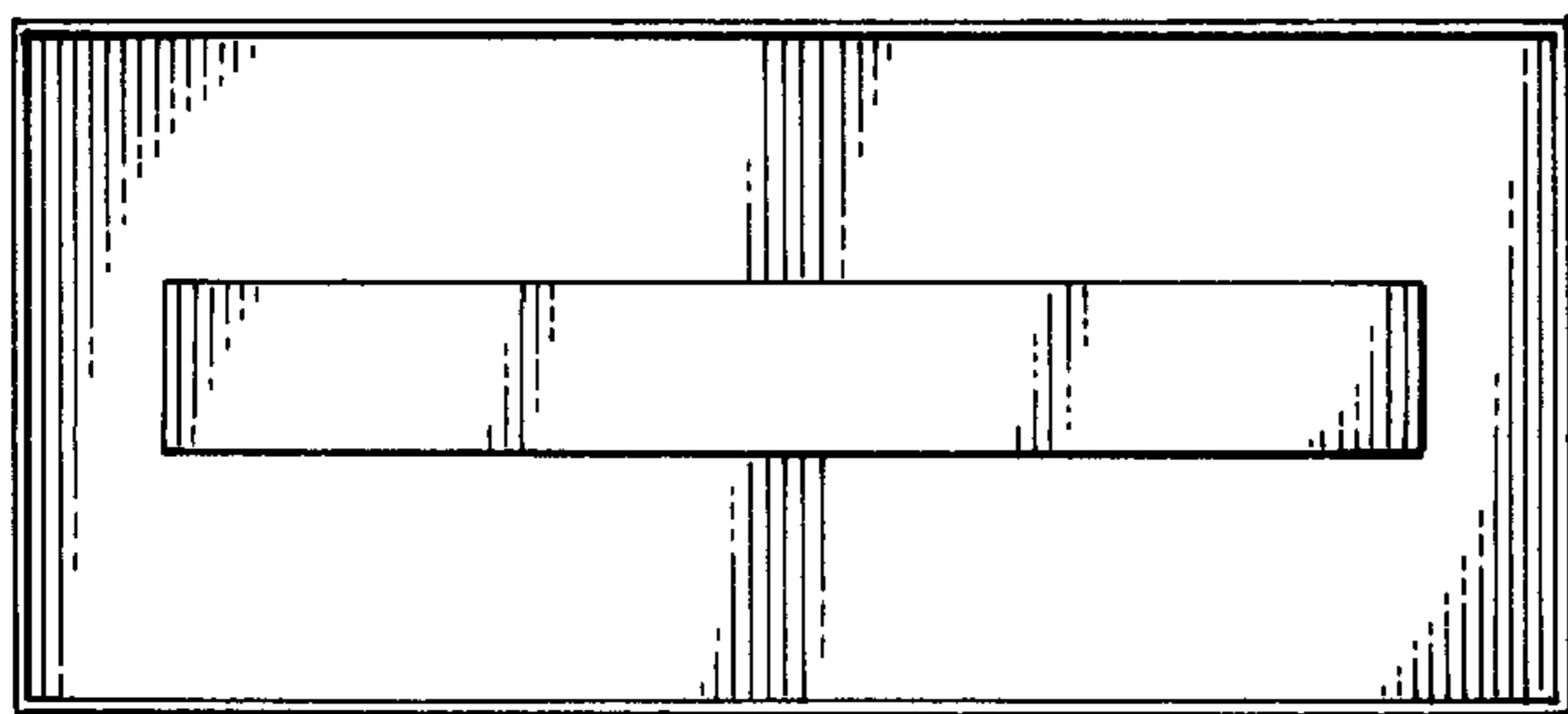


FIG. 4.