

US00D404224S

**United States Patent** [19]  
**Favetta**

[11] **Patent Number: Des. 404,224**  
[45] **Date of Patent: \*\*Jan. 19, 1999**

[54] **DISPLAY STAND**

[75] Inventor: **Maurizio Favetta**, Milan, Italy

[73] Assignee: **Swatch AG (Swatch SA) (Swatch Ltd.)**, Bienne, Switzerland

[\*\*] Term: **14 Years**

[21] Appl. No.: **44,055**

[22] Filed: **Sep. 15, 1995**

[30] **Foreign Application Priority Data**

Apr. 27, 1995 [CH] Switzerland ..... DM/032849

[51] **LOC (6) Cl.** ..... **20-02**

[52] **U.S. Cl.** ..... **D6/455; D6/472**

[58] **Field of Search** ..... D6/470, 471, 472,  
D6/449, 450, 454, 455, 457; 211/40, 41,  
42, 169, 168; 206/45.15, 45.34

[56] **References Cited**

**U.S. PATENT DOCUMENTS**

D. 282,033 1/1986 Gray ..... D6/454 X

1,381,525 6/1921 Wagoner et al. .... 211/40  
3,337,059 8/1967 Le Hoy ..... 211/40 X  
3,960,273 6/1976 Weston ..... 211/169 X

*Primary Examiner*—James Gandy  
*Assistant Examiner*—Linda Brooks  
*Attorney, Agent, or Firm*—McGlew and Tuttle

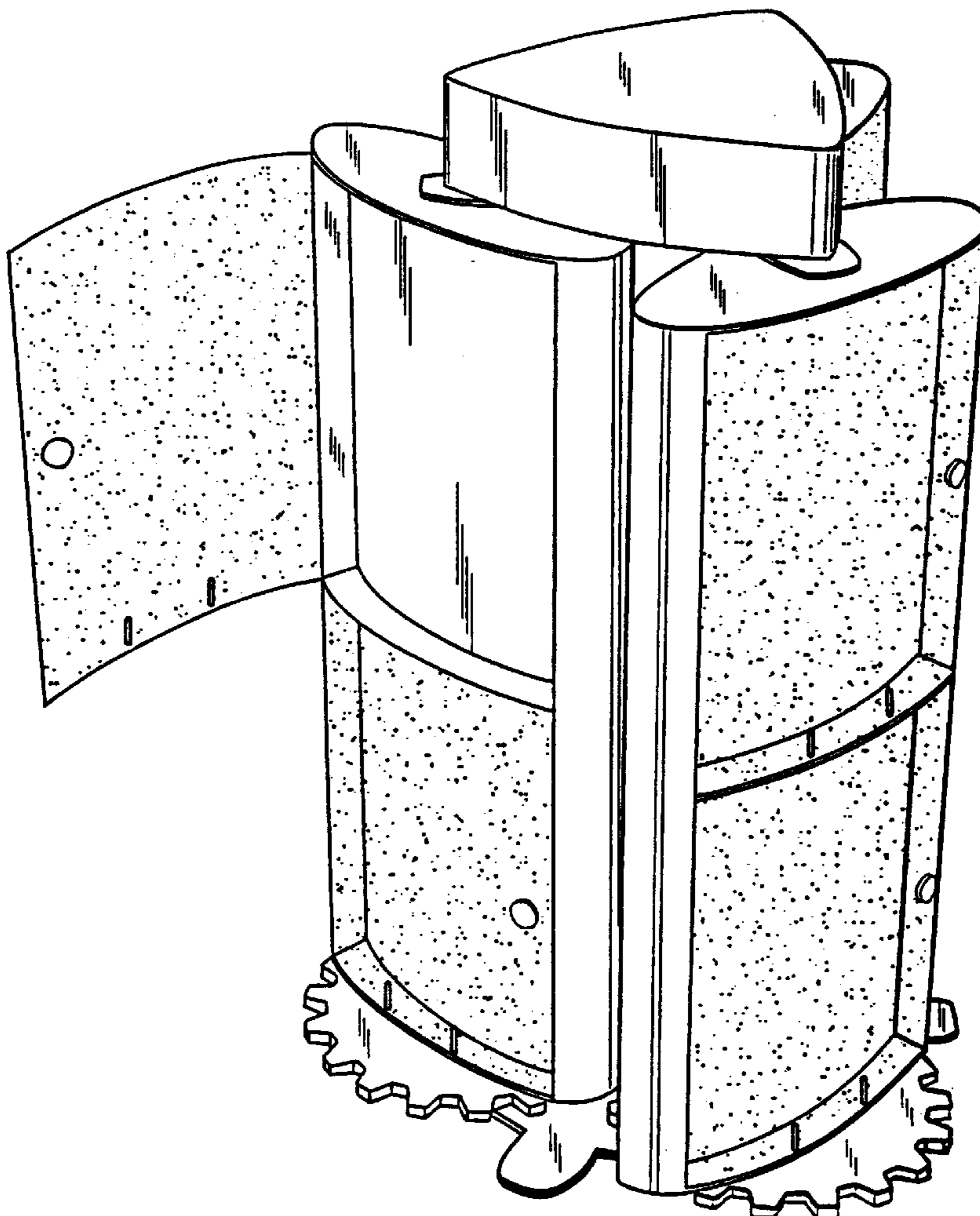
[57] **CLAIM**

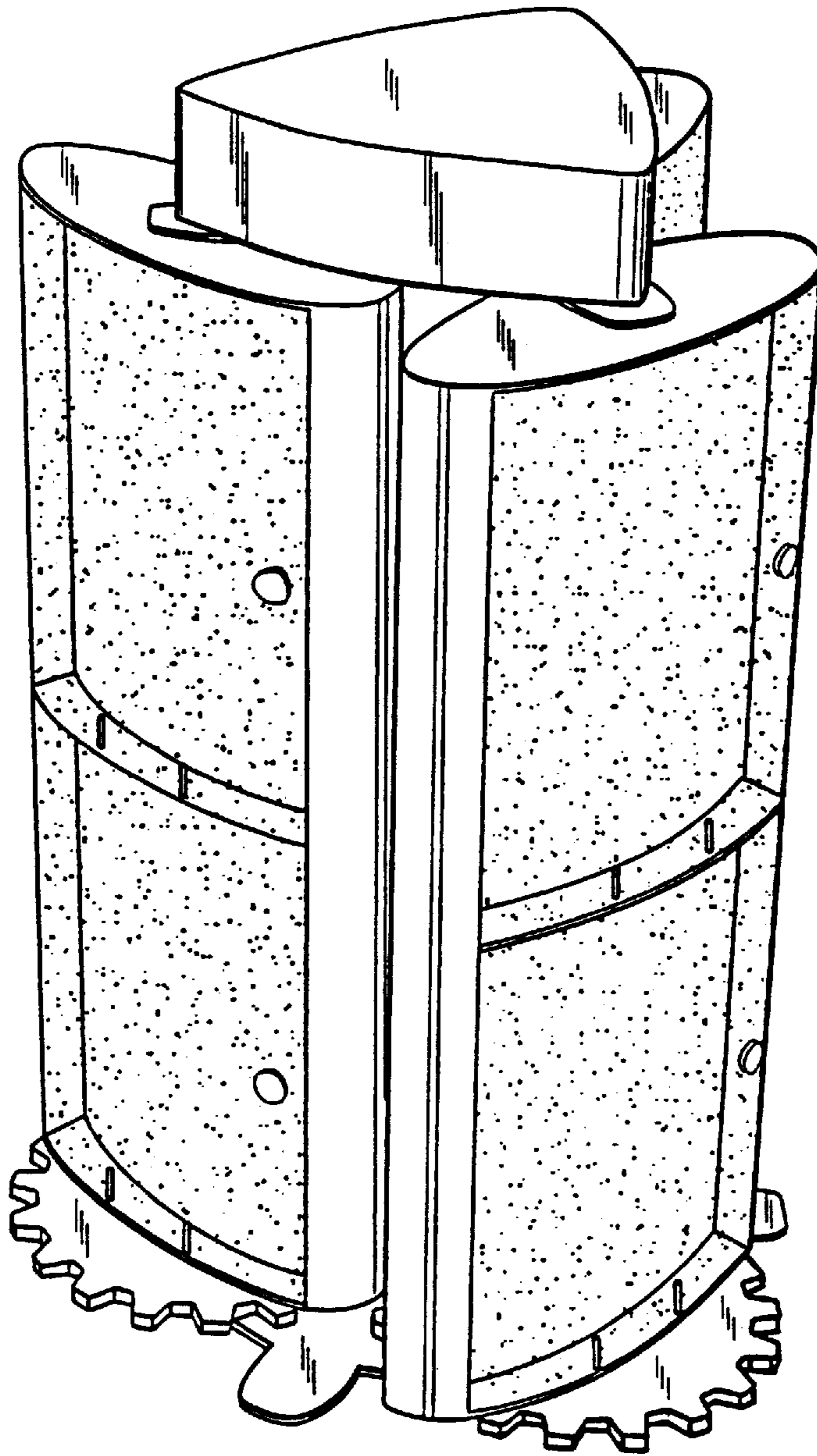
The ornamental design for a display stand, as shown and described.

**DESCRIPTION**

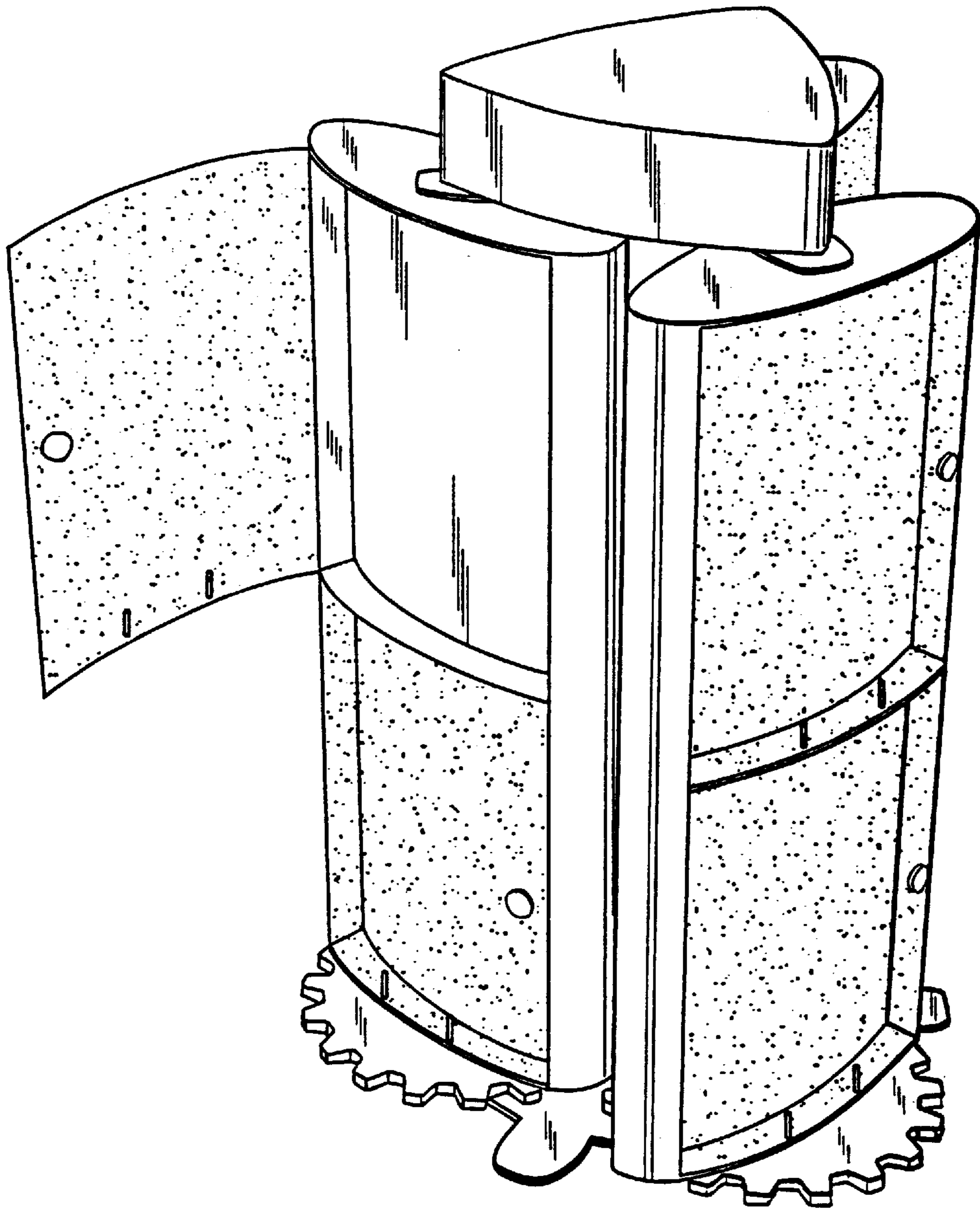
FIG. 1 is a perspective view of my new design for a display stand;  
FIG. 2 is a view similar to FIG. 1 showing the display case in an open position;  
FIG. 3 is a perspective view similar to FIG. 1 showing display case elements rotated with respect to the position show in FIG. 1;  
FIG. 4 is a perspective view similar to FIG. 3 showing the display case elements further rotated;  
FIG. 5 is a top view of the design of FIG. 1; and,  
FIG. 6 is a bottom view of the design of FIG. 1.

**1 Claim, 4 Drawing Sheets**

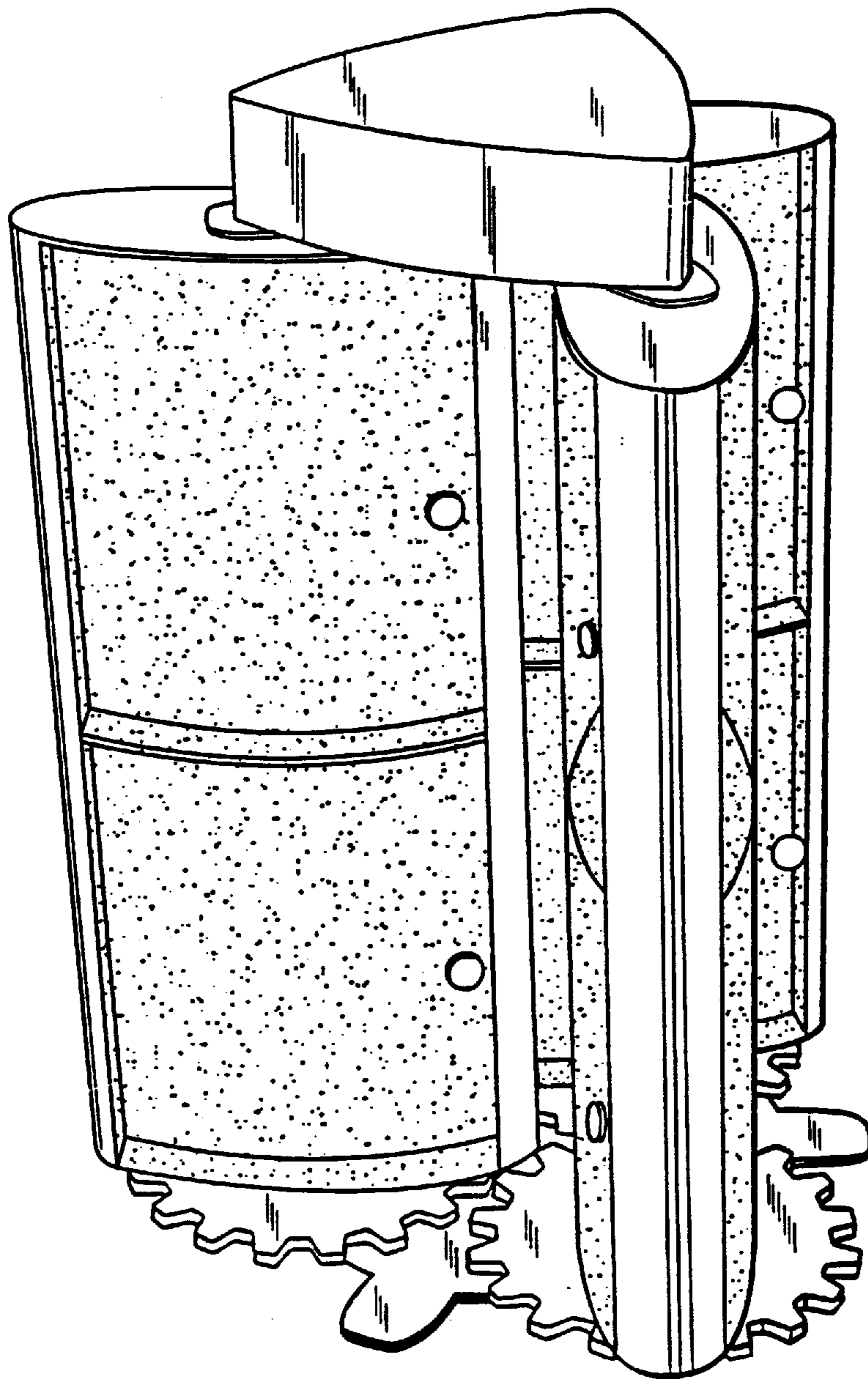




*Fig. 1*

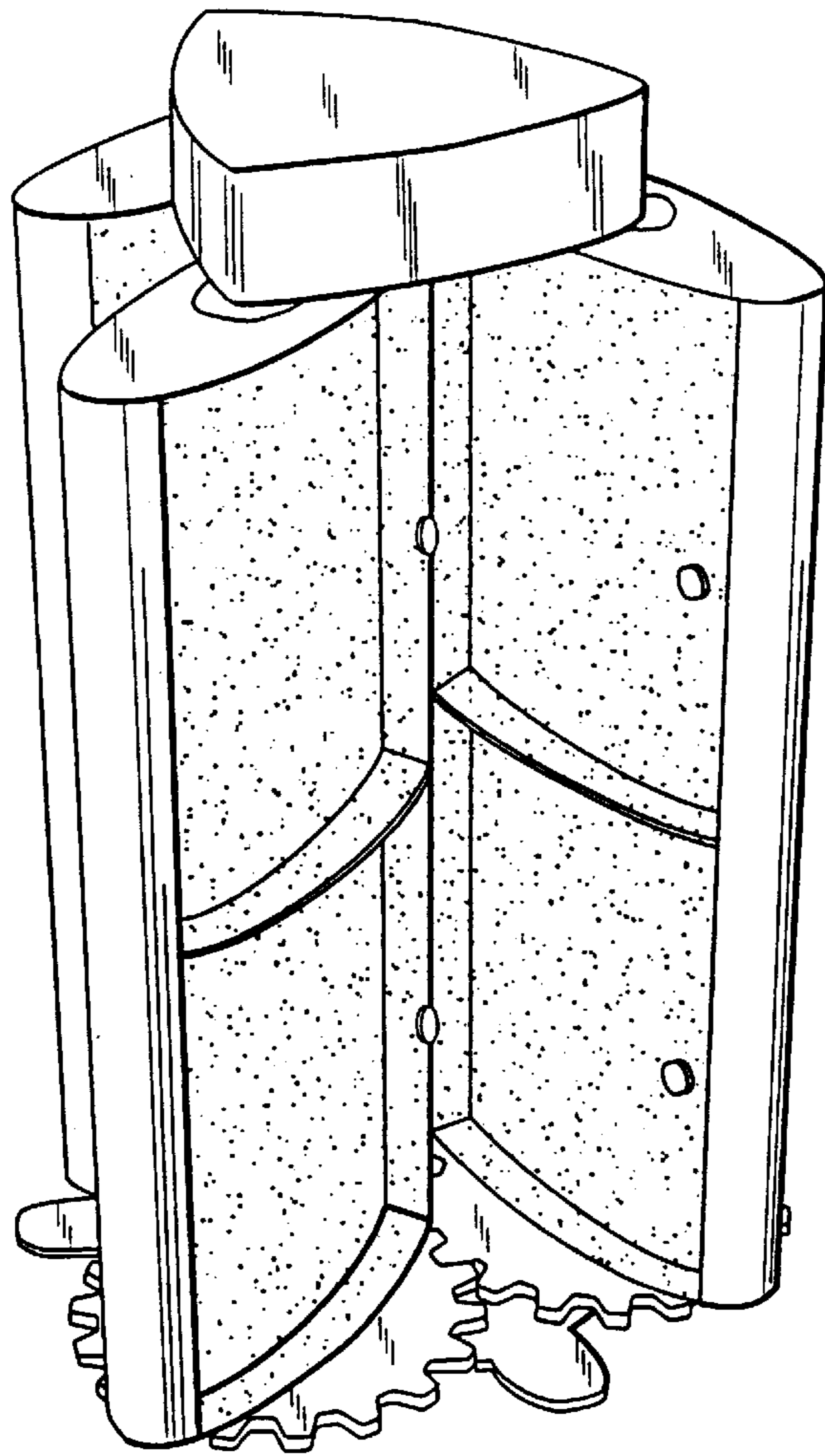


*Fig. 2*

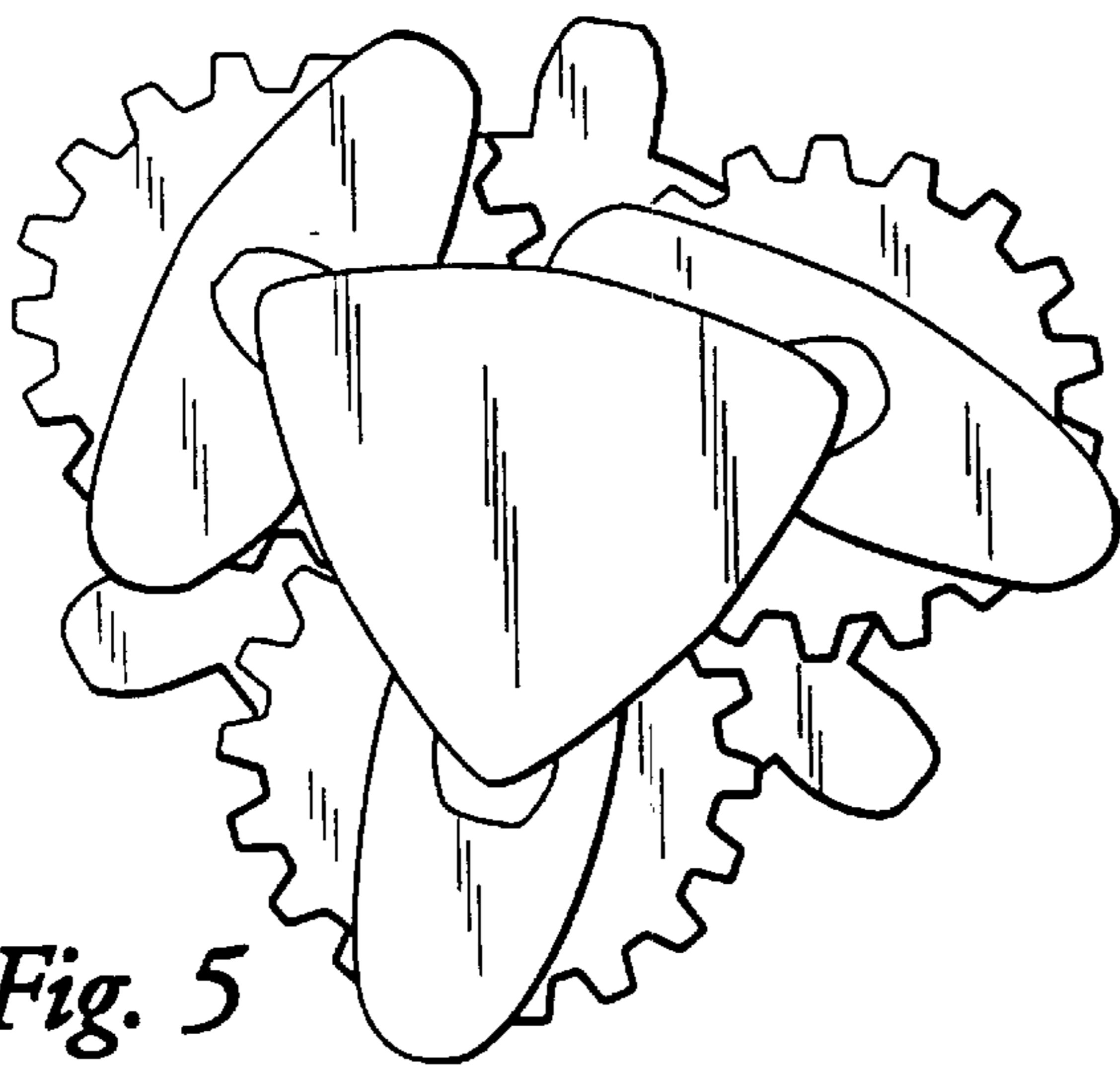


*Fig. 3*

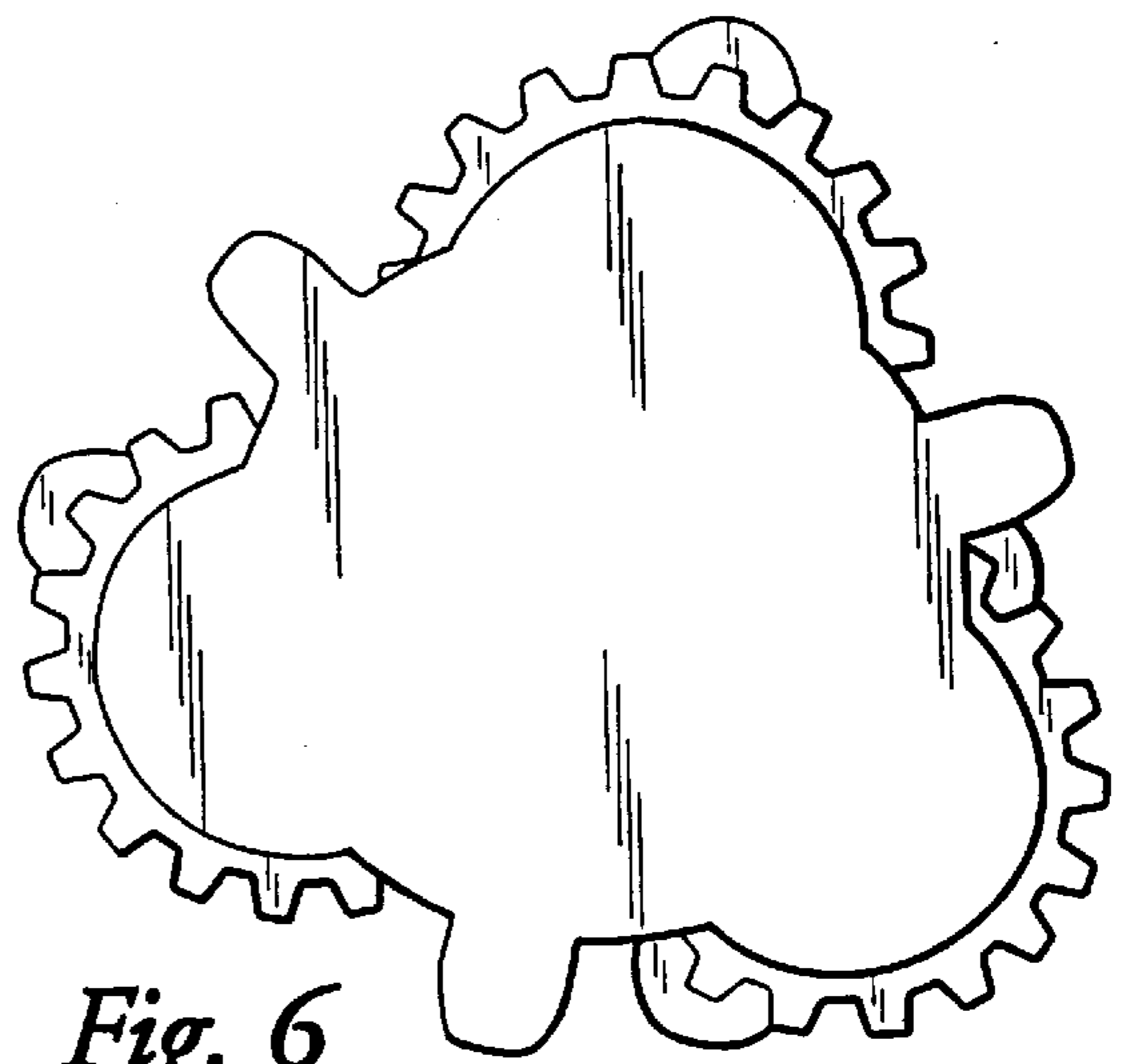




*Fig. 4*



*Fig. 5*



*Fig. 6*