



US00D404220S

United States Patent [19]
Stravitz

[11] **Patent Number: Des. 404,220**
[45] **Date of Patent: **Jan. 19, 1999**

[54] **STEPPED RACK**

[76] Inventor: **David M. Stravitz**, 16 Park Ave., Suite 14A, New York, N.Y. 10016

[**] Term: **14 Years**

[21] Appl. No.: **84,881**

[22] Filed: **Mar. 12, 1998**

D. 280,454	9/1985	Andersson et al.	D32/55
D. 331,166	11/1992	Ohadi	D7/701
D. 374,582	10/1996	Chu	D6/407 X
D. 392,498	3/1998	Steinbeck	D6/629
1,008,124	11/1911	Dudley	211/40 X
1,453,065	4/1923	Fargo	211/42
1,455,524	5/1923	Fargo	211/42
4,592,471	6/1986	Bross	211/41.2
4,832,208	5/1989	Finnegan	211/74 X
5,632,374	5/1997	Fitzsimmons et al.	211/41.12 X

Related U.S. Application Data

[62] Division of Ser. No. 62,363, Nov. 13, 1996.

[51] **LOC (6) Cl.** **06-04**

[52] **U.S. Cl.** **D6/407**

[58] **Field of Search** D6/407, 626-630, D6/462-468, 450, 457, 473-476, 556-567, 570-572, 553; 312/9.1-9.64; D19/90; D32/55, 58; 211/40, 41.1, 41.2, 41.3, 41.4, 42, 41.12, 44, 41.18, 48, 181.1; 206/307.1, 307, 308.1, 445, 387.15, 454, 387.1, 425

References Cited

U.S. PATENT DOCUMENTS

D. 217,633	5/1970	Iorio	D32/55
D. 242,890	1/1977	Hillman et al.	D6/474 X
D. 260,455	9/1981	Haswell	D6/630

Primary Examiner—Jeffrey Asch
Attorney, Agent, or Firm—Frishauf, Holtz, Goodman, Langer & Chick

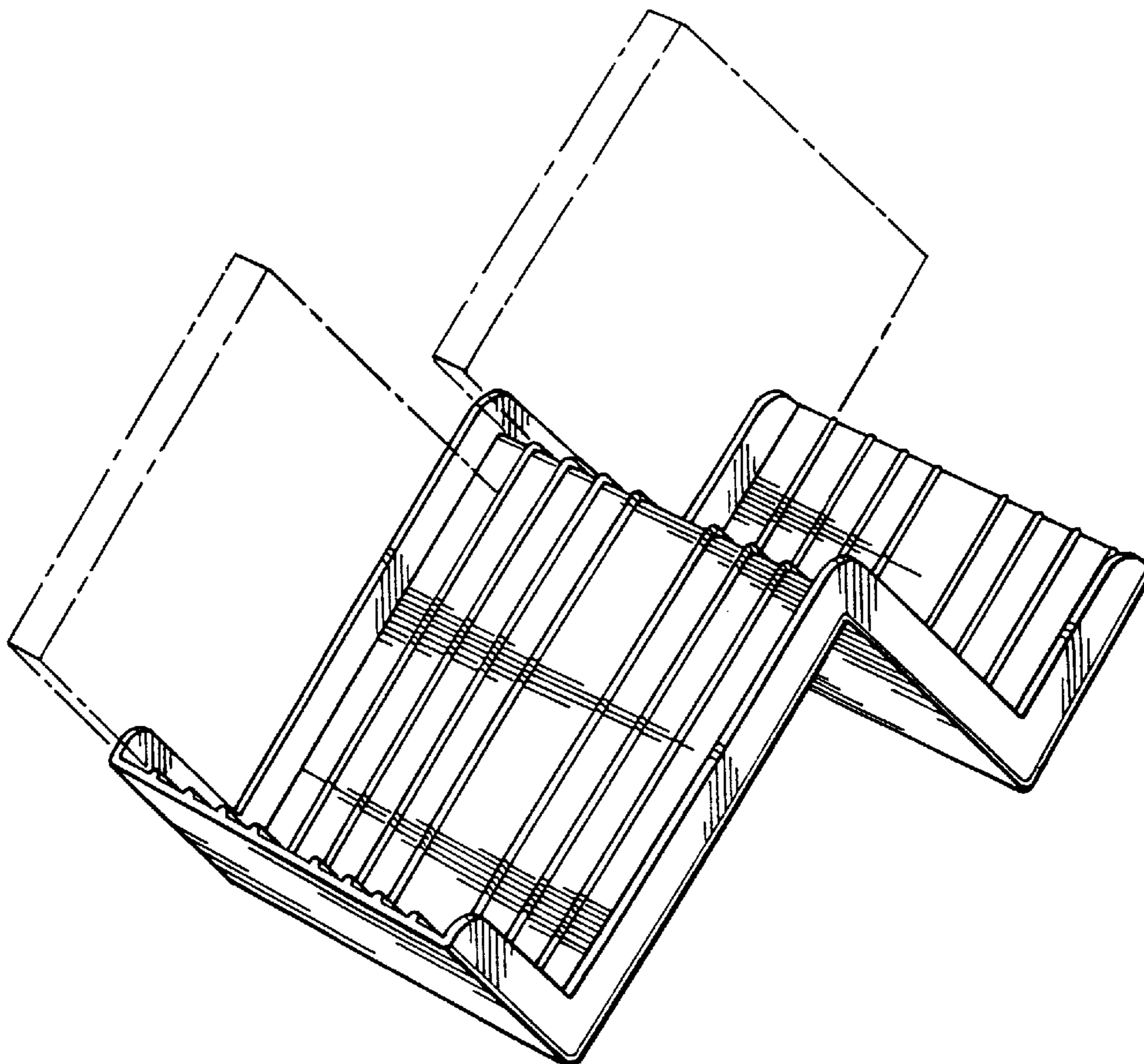
[57] **CLAIM**

The ornamental design for a stepped rack, as shown and described.

DESCRIPTION

FIG. 1 is a front, left, top perspective view of a stepped rack showing my new design;
FIG. 2 is a front elevational view thereof;
FIG. 3 is a right side view thereof, the left side view being a mirror image;
FIG. 4 is a rear elevational view thereof;
FIG. 5 is a top plan view thereof; and,
FIG. 6 is a bottom plan view thereof.

1 Claim, 2 Drawing Sheets



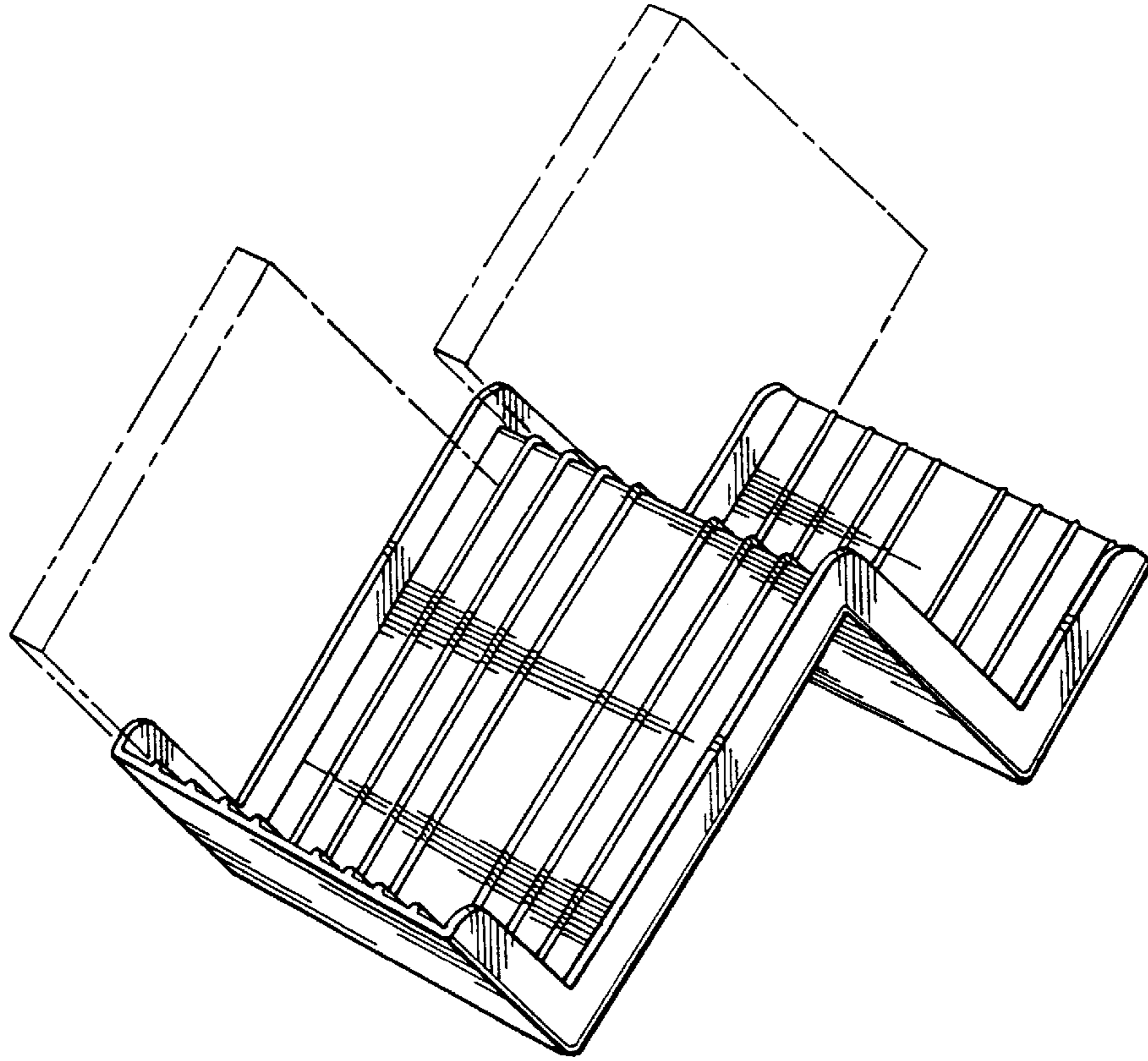


Fig. 1

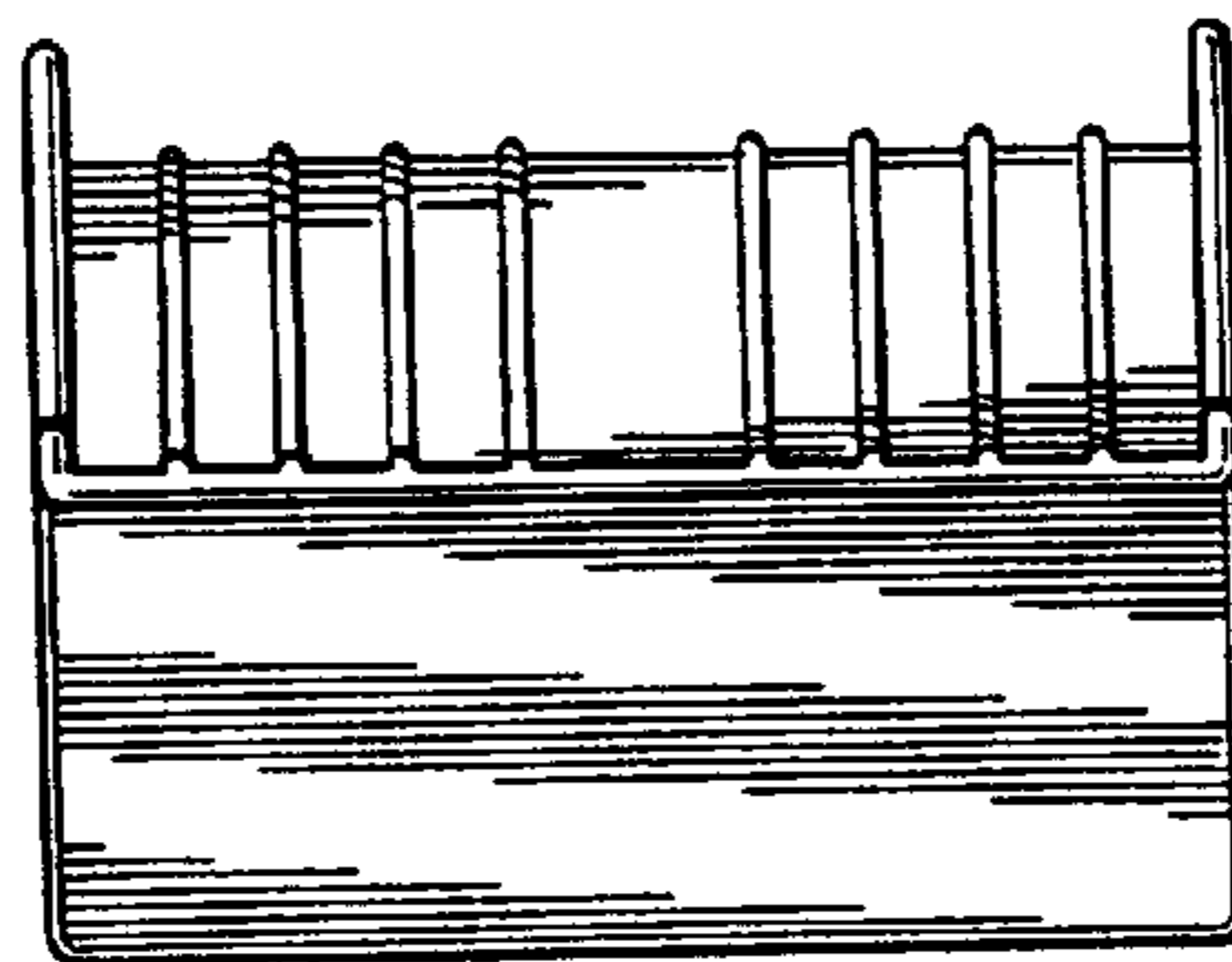


Fig. 2

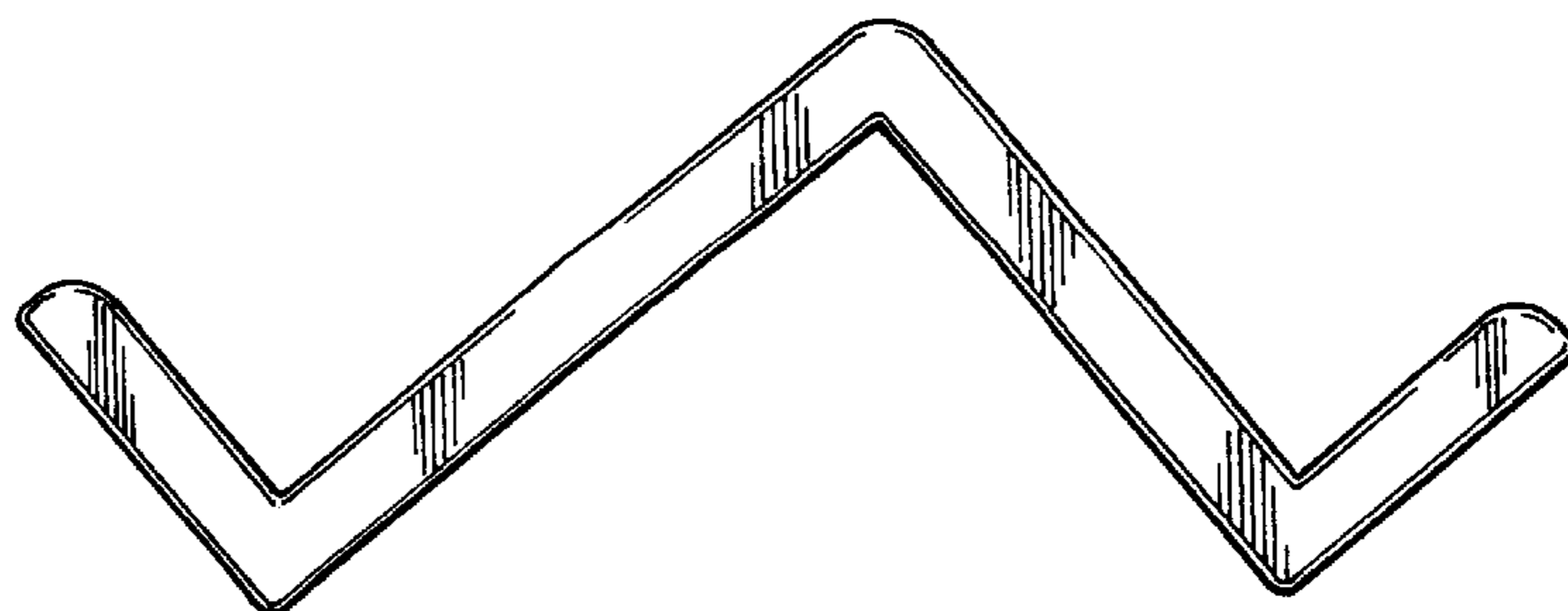


Fig. 3

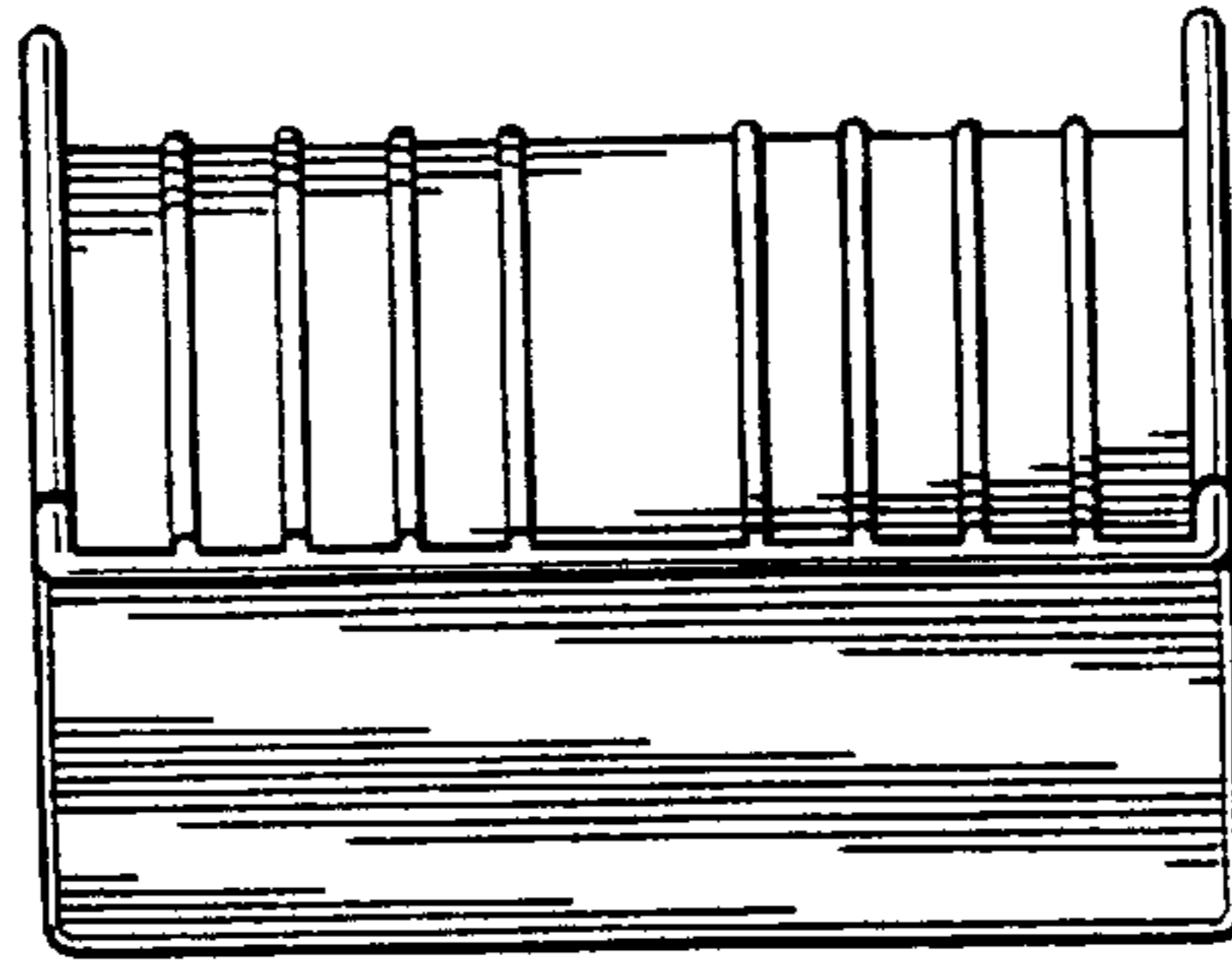


Fig. 4

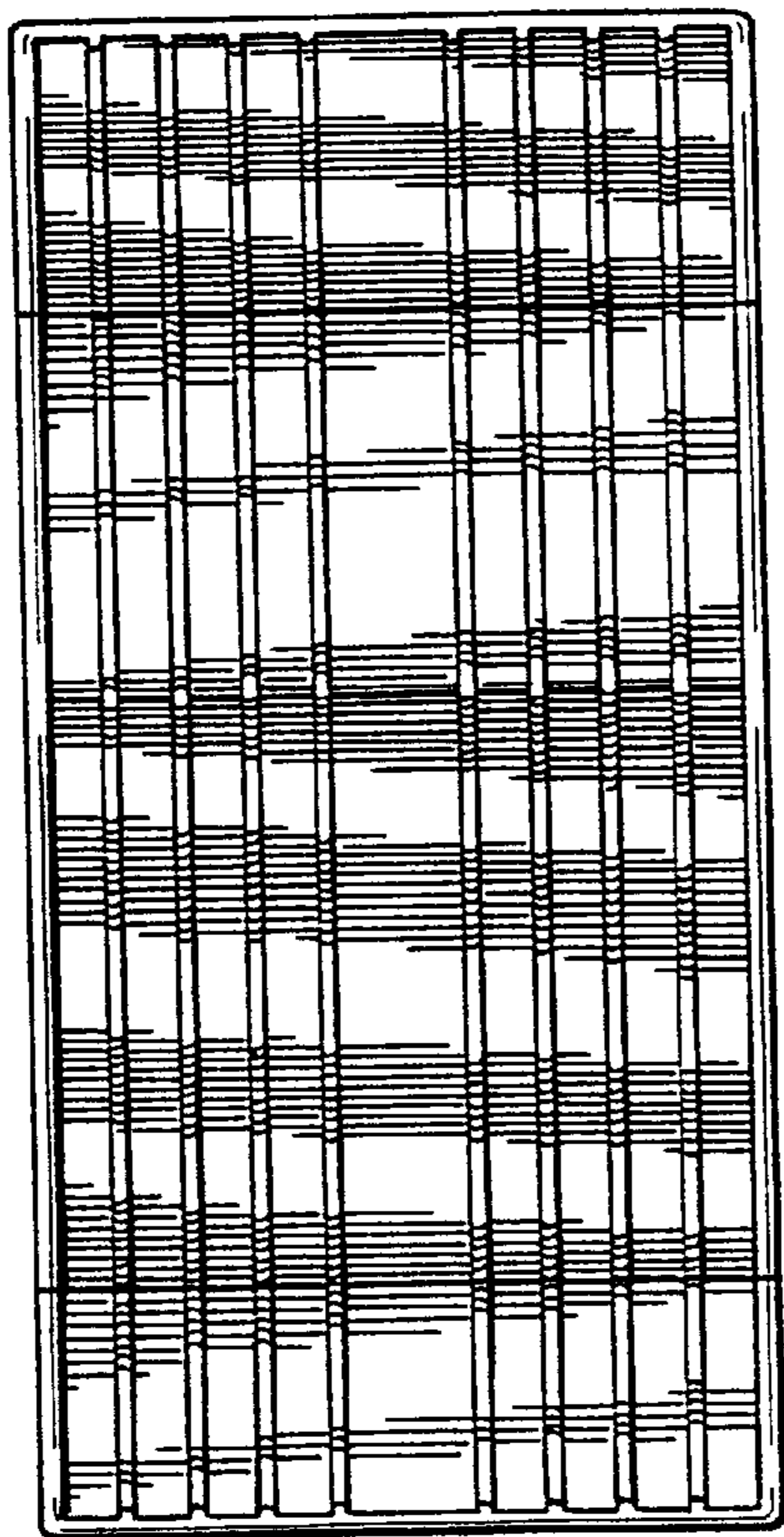


Fig. 5

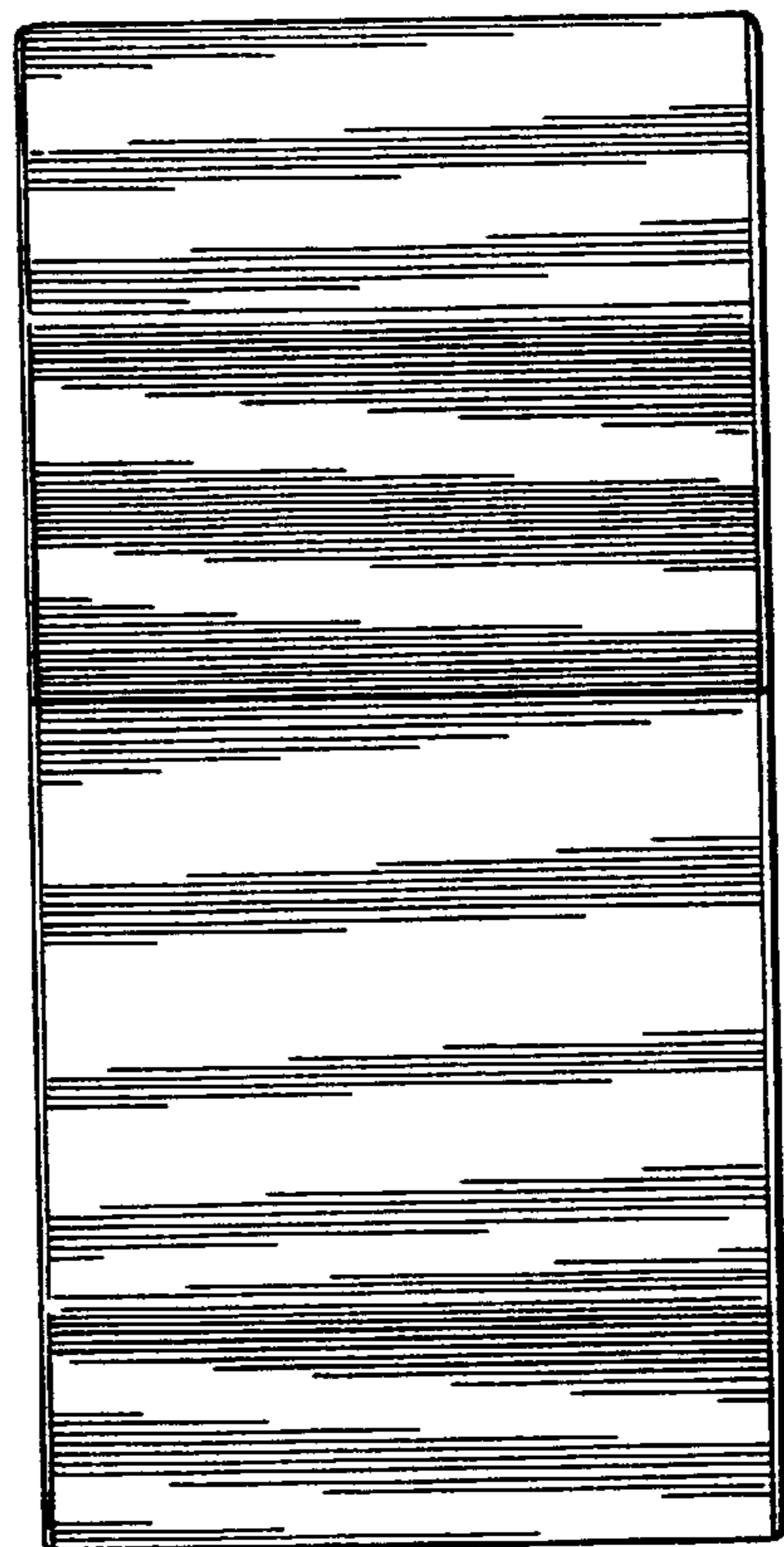


Fig. 6