



US00D404219S

United States Patent [19] Patterson

[11] **Patent Number: Des. 404,219**

[45] **Date of Patent: **Jan. 19, 1999**

[54] **LAP DESK**

[75] **Inventor: Lawrence W. Patterson, Anaheim, Calif.**

[73] **Assignee: Lawrence W. Patterson Trust**

[**] **Term: 14 Years**

[21] **Appl. No.: 88,843**

[22] **Filed: Jun. 2, 1998**

[51] **LOC (6) Cl. 06-99**

[52] **U.S. Cl. D6/406.6; D6/406.5**

[58] **Field of Search** D6/406.1, 406.2, D6/406.3, 406.4, 406.5, 406.6, 419, 420, 604, 511; D7/552.1, 552.2, 553.1, 553.3, 553.2, 553.4, 388, 698; D19/52; 108/43, 44; 224/926; 206/561

[56] **References Cited**

U.S. PATENT DOCUMENTS

D. 281,555	12/1985	Levy	D6/406.5
D. 282,218	1/1986	Catelli	D6/406.5
D. 289,247	4/1987	Wang	D6/406.5
D. 319,358	8/1991	Giugiaro	D6/406.5
D. 342,842	1/1994	Lemon	D6/406.5

D. 355,787	2/1995	Rae	D6/406.5
D. 359,862	7/1995	Rousch	D6/406.5
D. 377,273	1/1997	Amos	D6/406.5
D. 385,126	10/1997	Howland et al.	D6/406.5
D. 390,718	2/1998	Howland et al.	D6/406.5

Primary Examiner—M. N. Pandozzi
Attorney, Agent, or Firm—Fulwider Patton Lee & Utecht, LLP

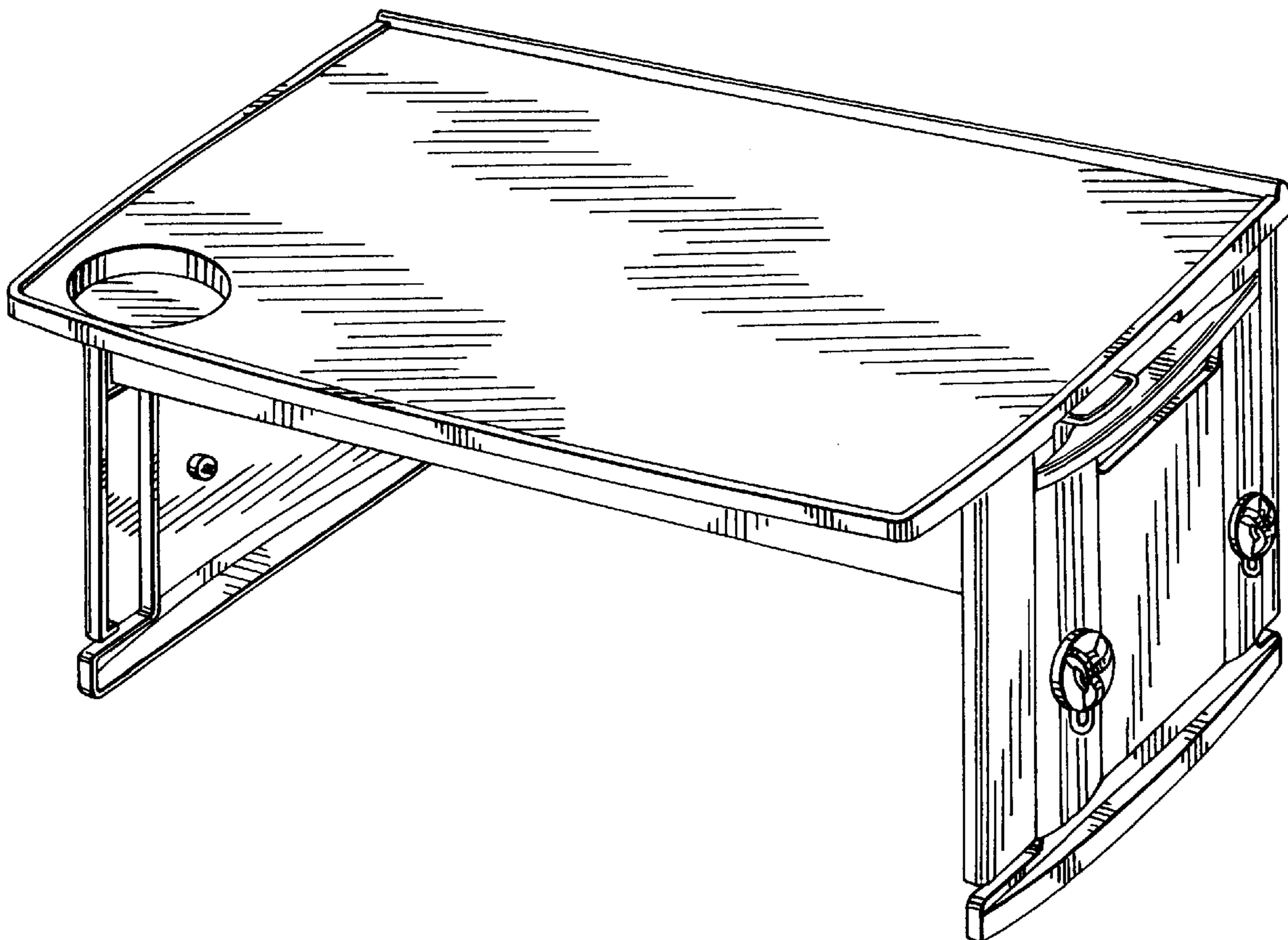
[57] **CLAIM**

The ornamental design for a lap desk, as shown and described.

DESCRIPTION

FIG. 1 is a top perspective view of a lap desk showing my new design;
FIG. 2 is a top plan view thereof;
FIG. 3 is a bottom plan view thereof;
FIG. 4 is a front elevational view thereof;
FIG. 5 is a rear elevational view thereof;
FIG. 6 is a right side elevational view thereof;
FIG. 7 is a right side elevational view thereof with the desk in a raised position; and,
FIG. 8 is a right side elevational view thereof with the lid in raised position.

1 Claim, 4 Drawing Sheets



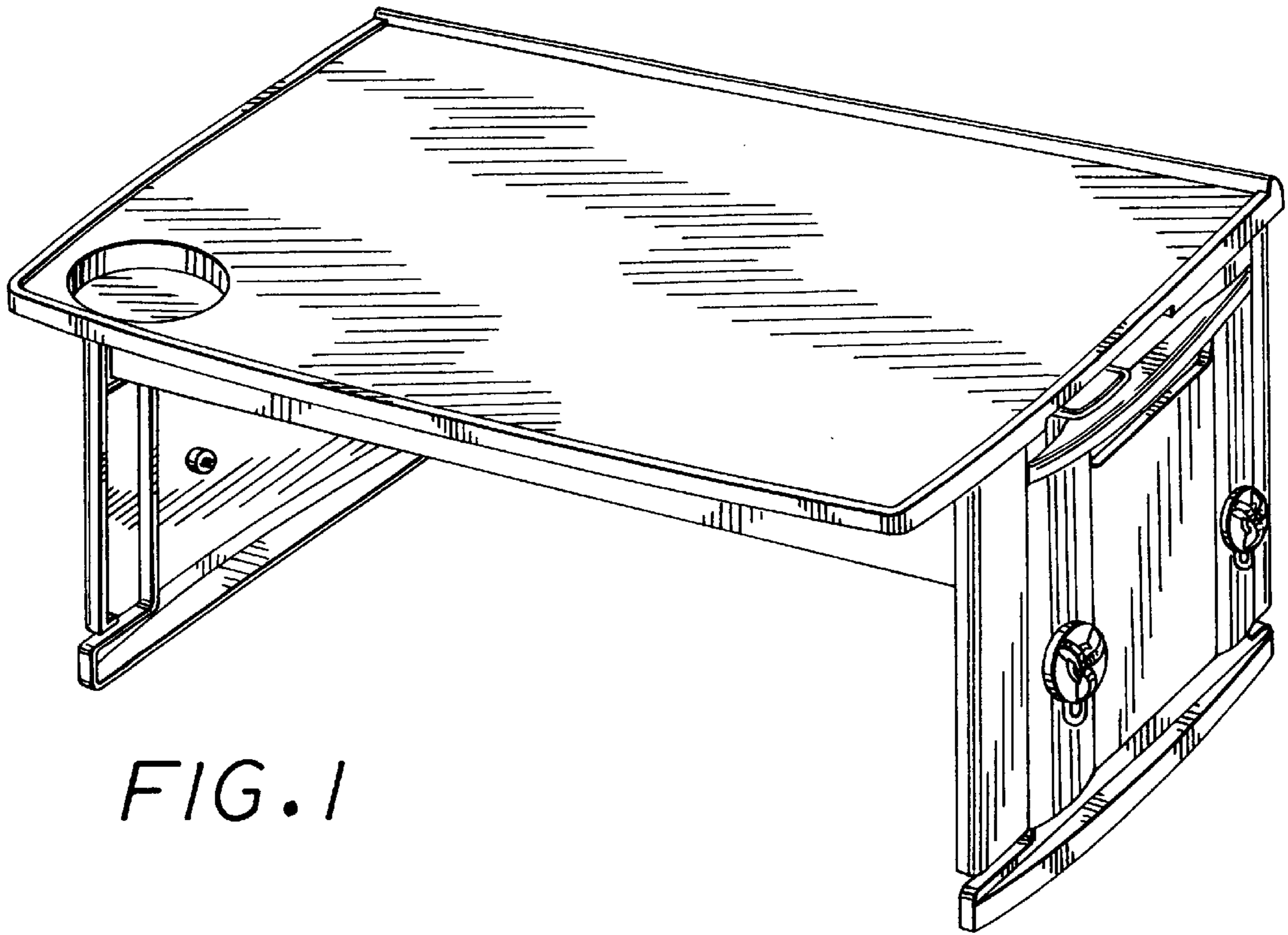
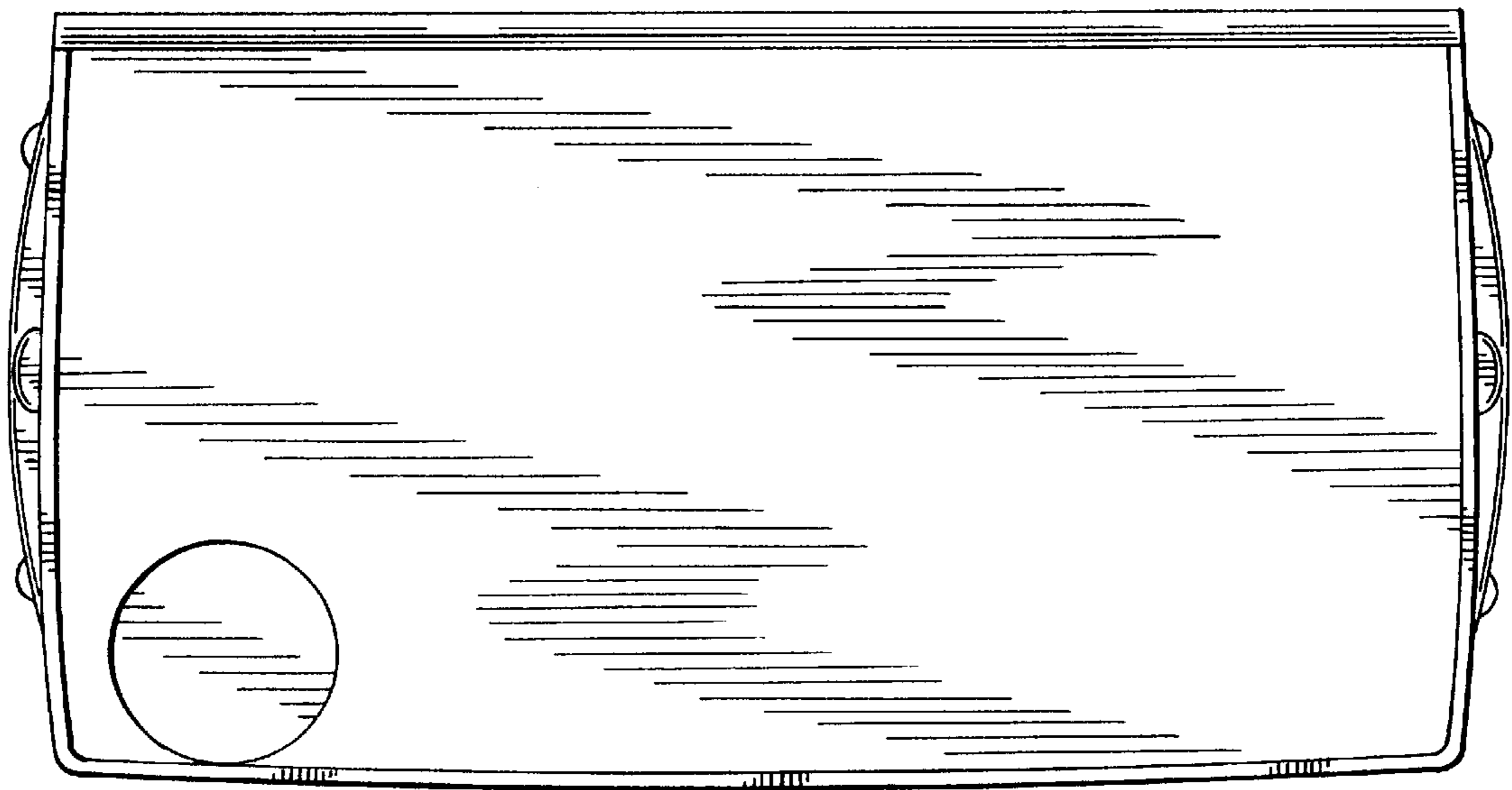


FIG. 1

FIG. 2



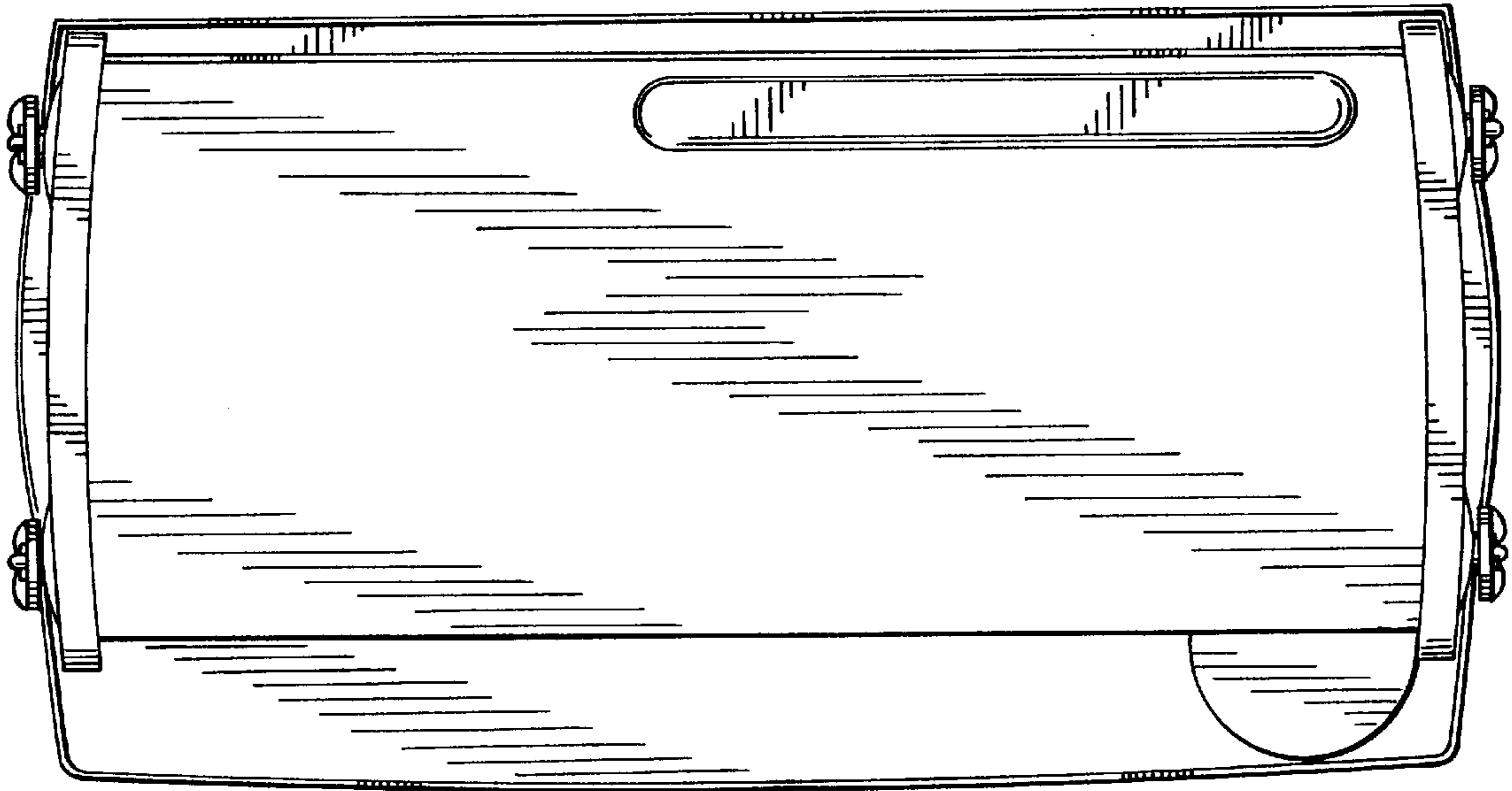


FIG. 3

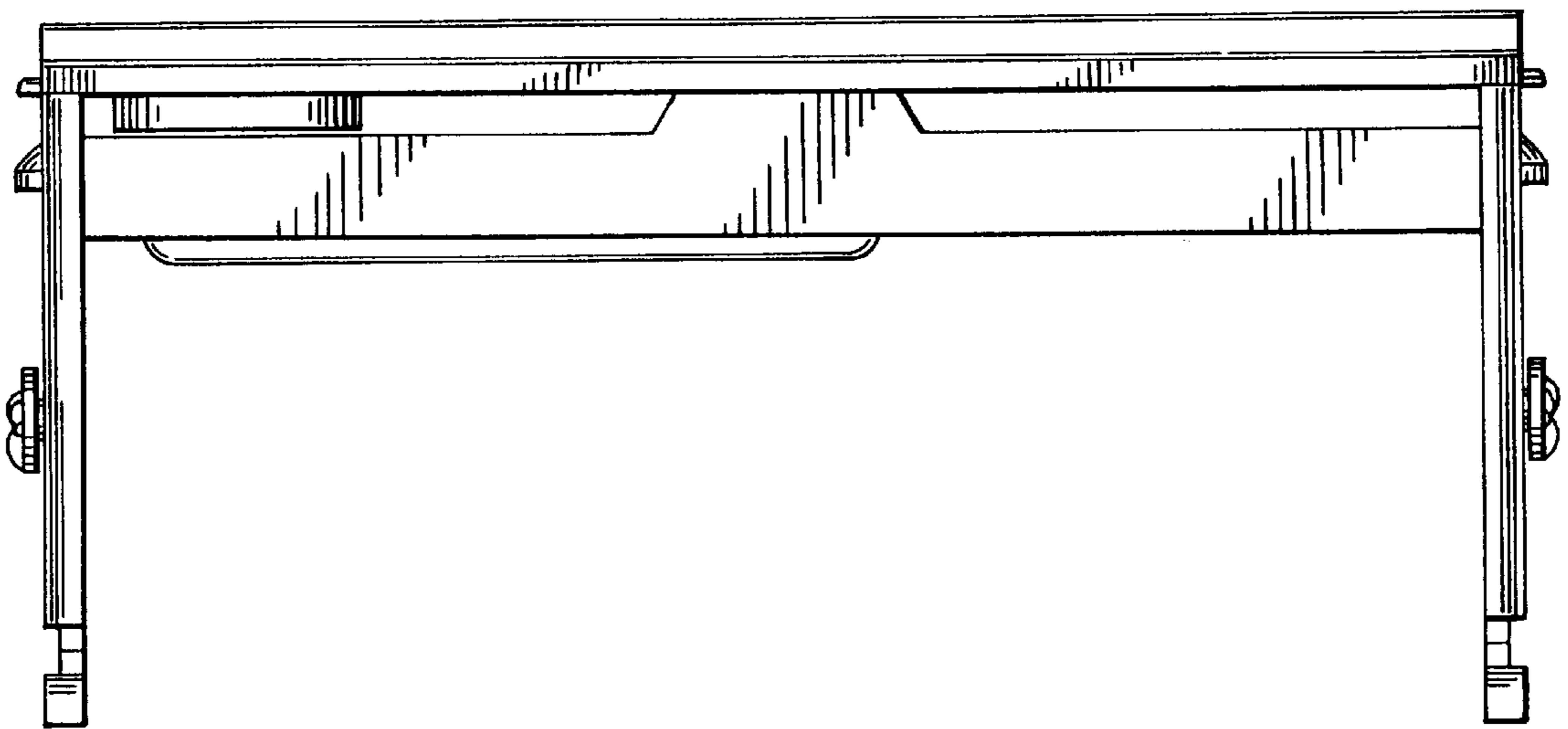


FIG. 4

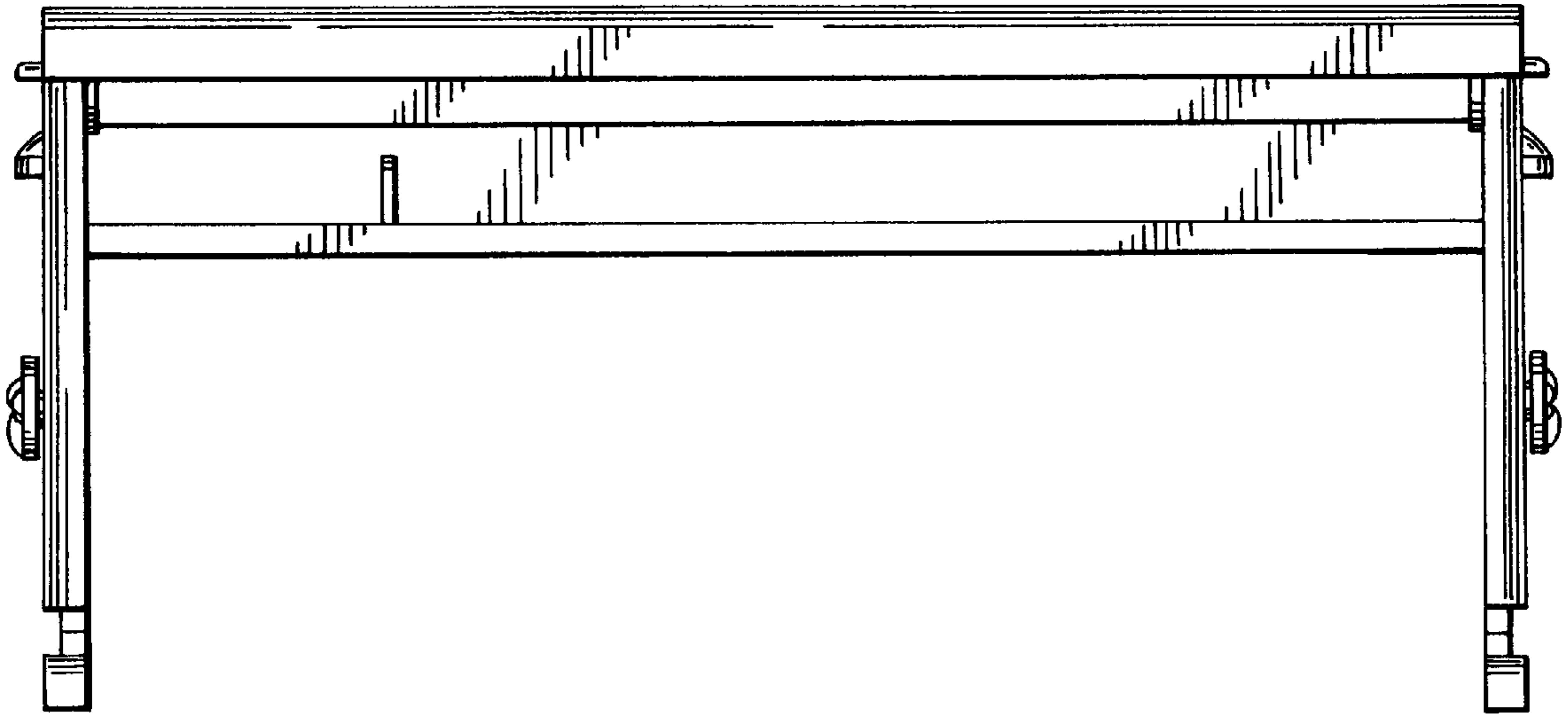


FIG. 5

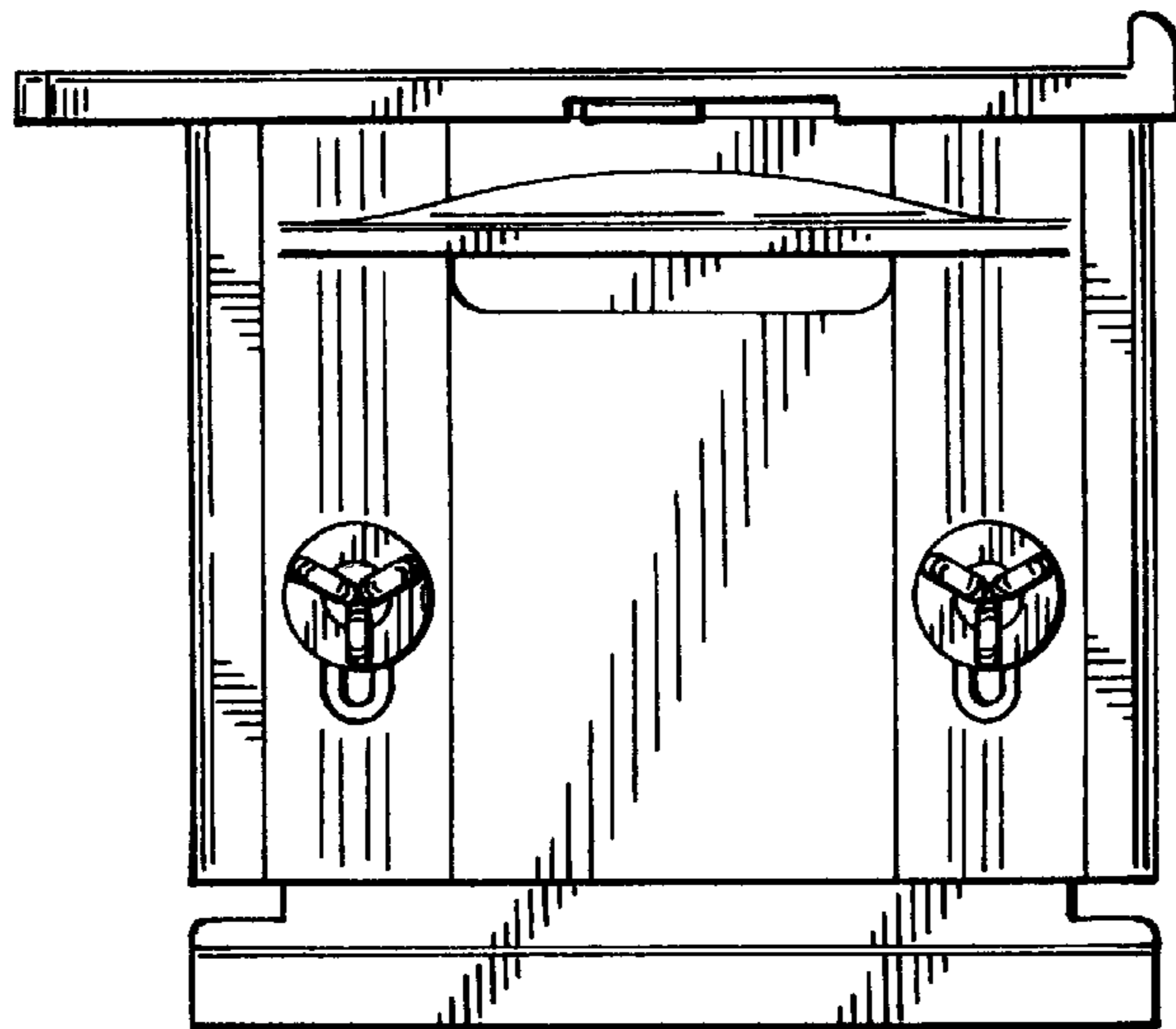


FIG. 6

FIG. 7

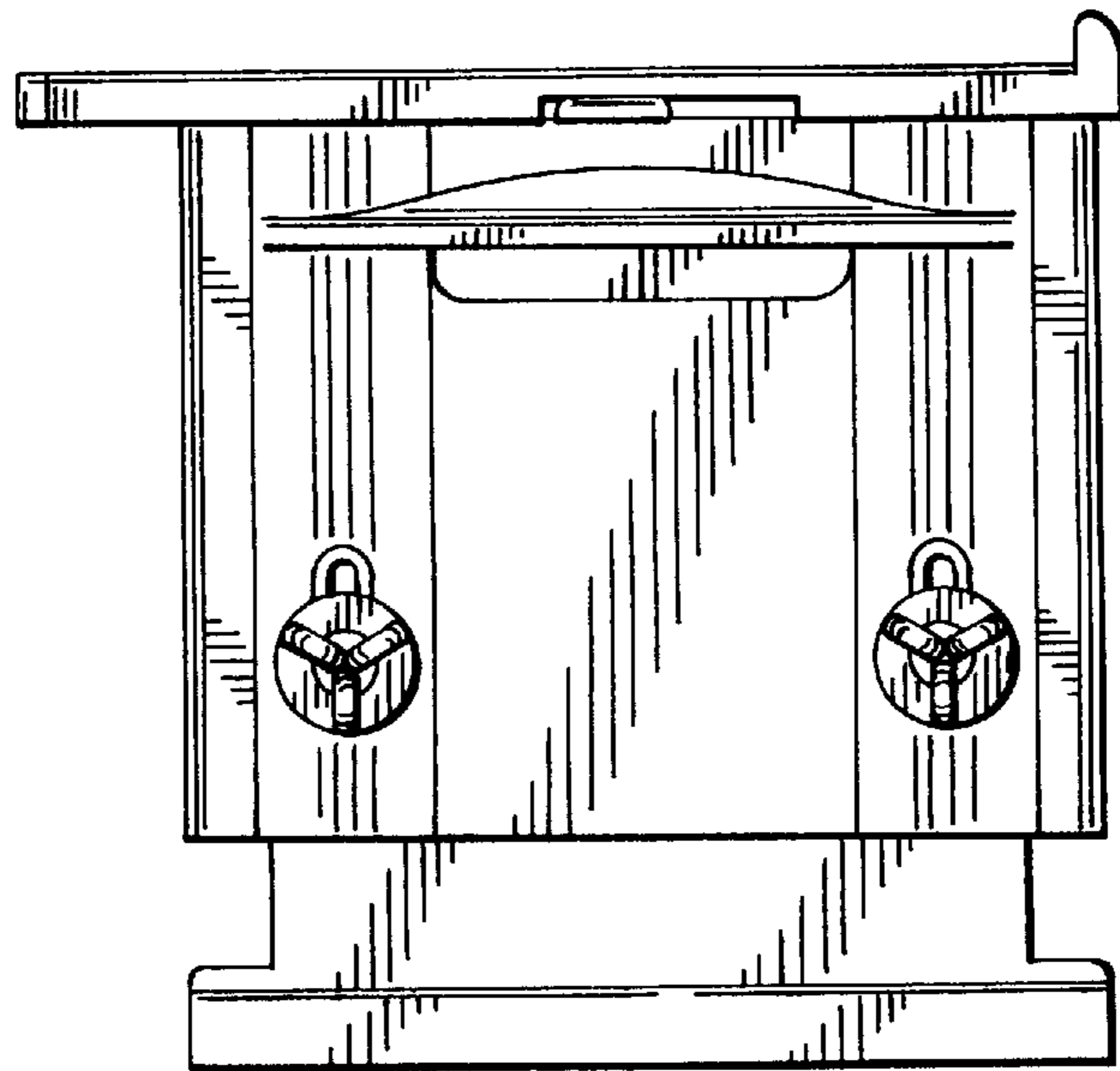


FIG. 8

