



US00D404218S

United States Patent [19]

Sussman

[11] Patent Number: Des. 404,218

[45] Date of Patent: **Jan. 19, 1999

[54] LAP TRAY

[76] Inventor: Sy Sussman, 435 Promontory Dr. West, Newport Beach, Calif. 92660

[**] Term: 14 Years

[21] Appl. No.: 76,496

[22] Filed: Sep. 18, 1997

[51] LOC (6) Cl. 06-06

[52] U.S. Cl. D6/406.5; D6/406.6; D7/553.4

[58] Field of Search D7/555, 553.1, D7/553.2, 553.3, 553.4, 553.5; D6/406.3, 406.5, 406.6; D19/35, 52; 220/575, 17.1, 23.8; D12/415, 416; 211/74; 108/161

[56] **References Cited**

U.S. PATENT DOCUMENTS

D. 170,338	9/1953	Randall	D7/553.4
D. 257,914	1/1981	Wooters	D7/553.5
D. 265,154	6/1982	Cox	D7/553.4
D. 280,669	9/1985	Hammeke	D7/553.5
D. 349,425	8/1994	Kays et al.	D7/553.4
D. 363,857	11/1995	Sussman	.	

D. 376,928	12/1996	Lorenzana et al.	D7/553.4
D. 378,477	3/1997	Sussman	.	
D. 382,727	8/1997	Kresge et al.	D6/406.5
2,672,182	3/1954	Gwin et al.	D7/552.1
2,897,974	8/1959	Cook	21/74
3,164,110	1/1965	Bofinger	108/161
4,718,555	1/1988	Amberg	D7/553.4 X
4,838,444	6/1989	Bitel	D7/553.4
5,497,885	3/1996	Sussman	.	

Primary Examiner—M. N. Pandozzi
Attorney, Agent, or Firm—James G. O'Neill

[57] **CLAIM**

The ornamental design of a lap tray, as shown and described.

DESCRIPTION

FIG. 1 is a perspective view looking toward the top of a lap tray, showing my new design; FIG. 2 is a top plan view of FIG. 1; FIG. 3 is a left side elevational view of FIG. 1; the right side elevational view being identical to that shown; FIG. 4 is a bottom plan view of FIG. 1; FIG. 5 is a right end elevational view of FIG. 1; and, FIG. 6 is a left end elevational view of FIG. 1.

1 Claim, 2 Drawing Sheets

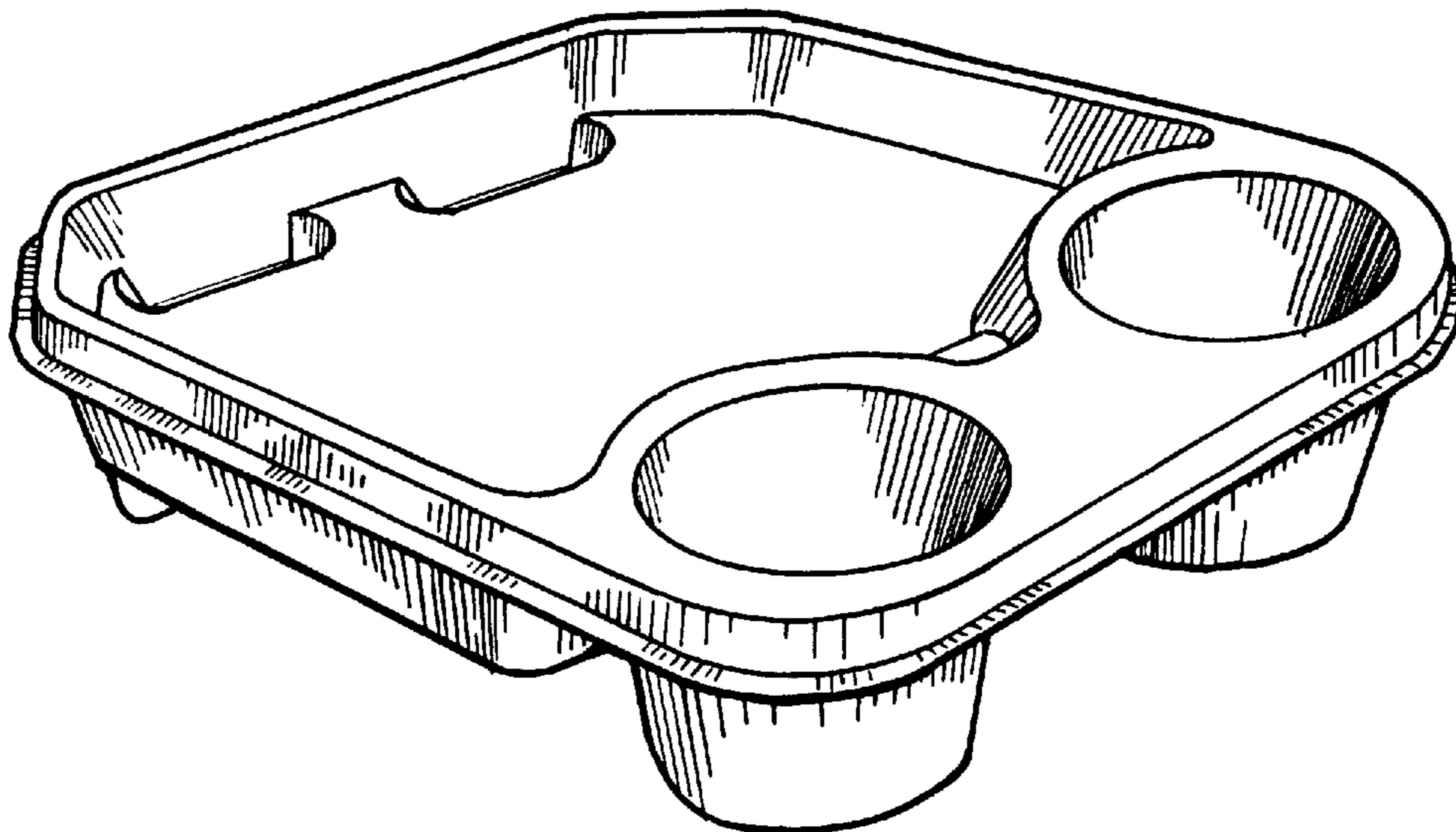


FIG. 1

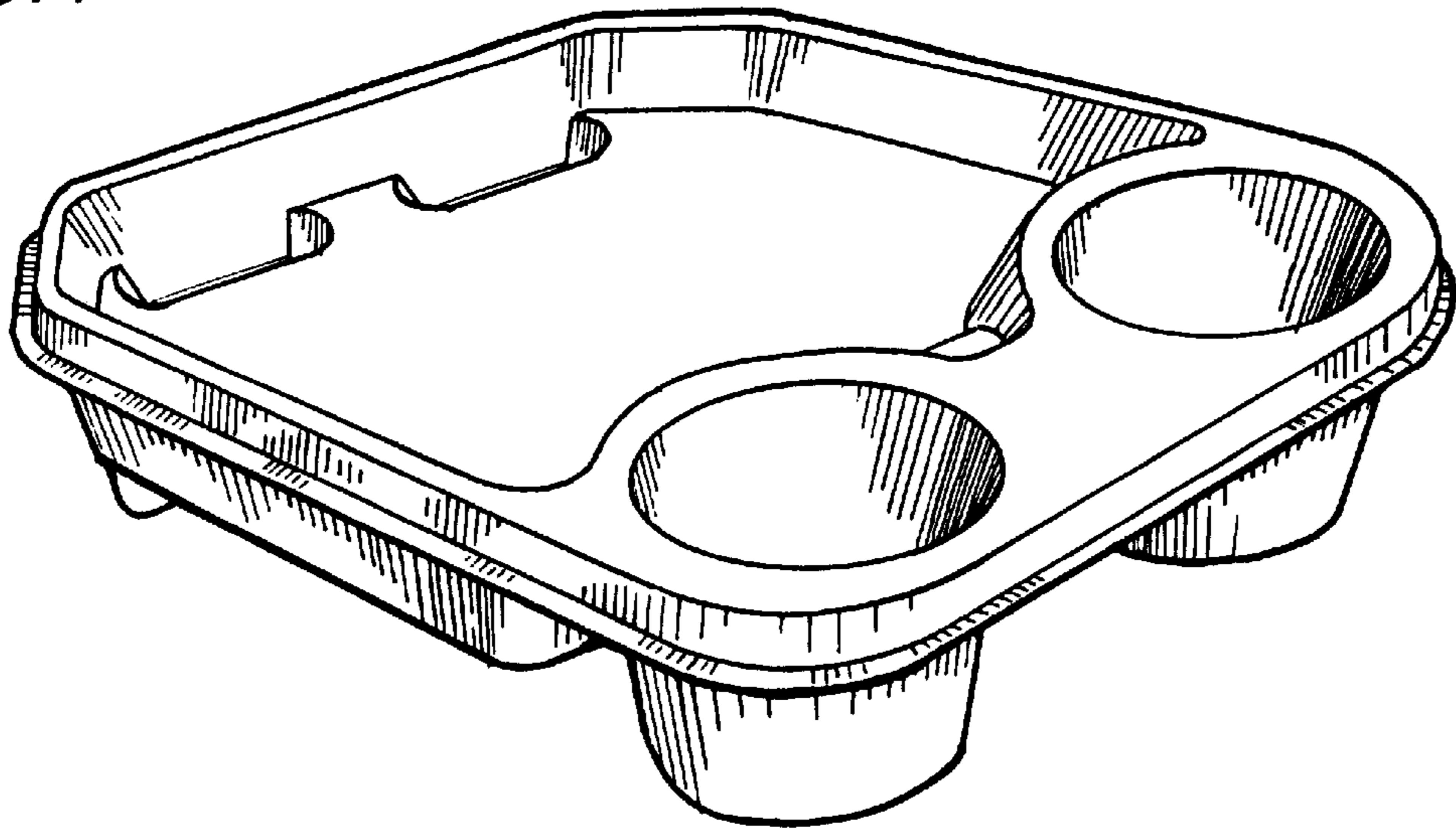


FIG. 2

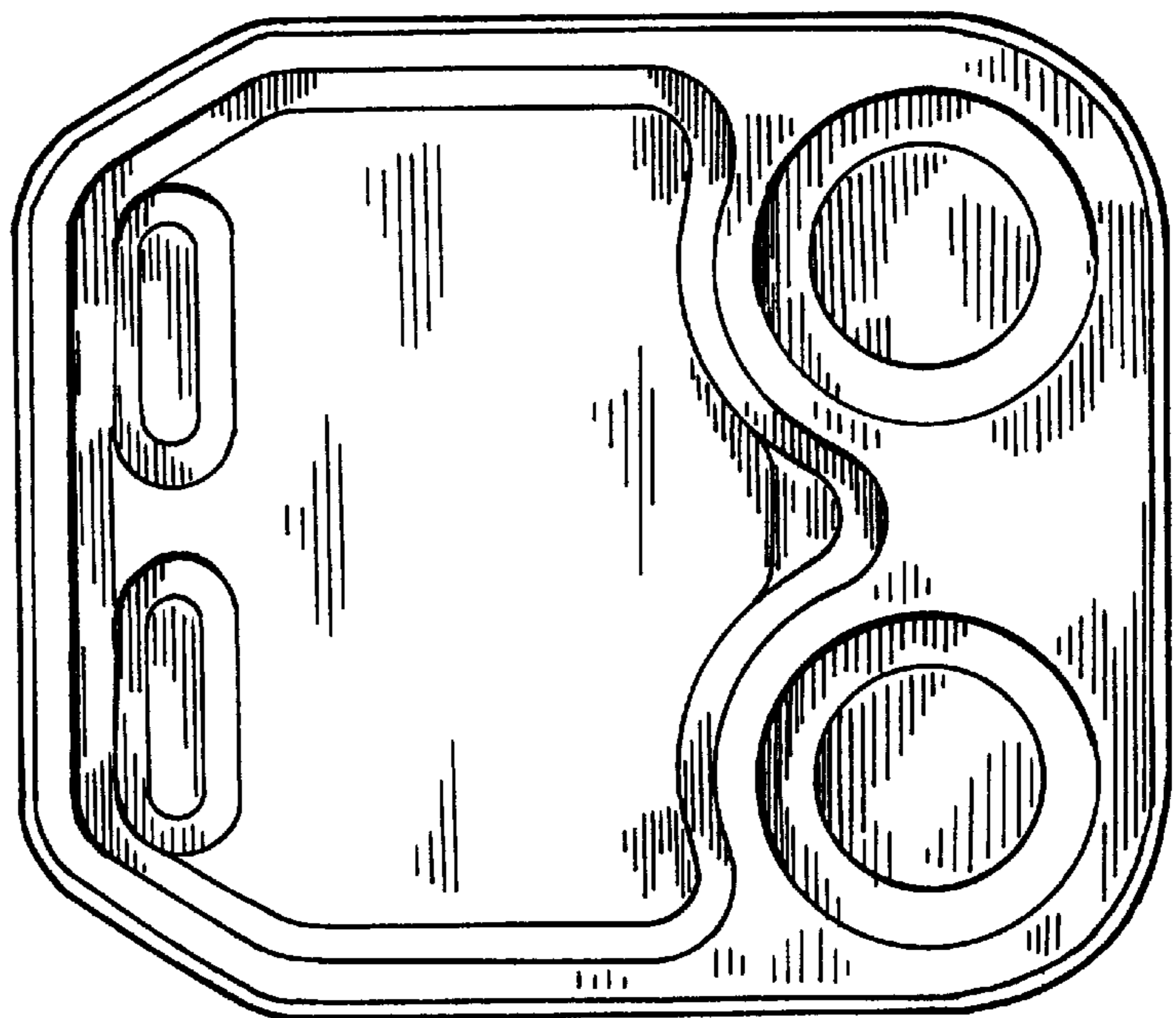


FIG. 3

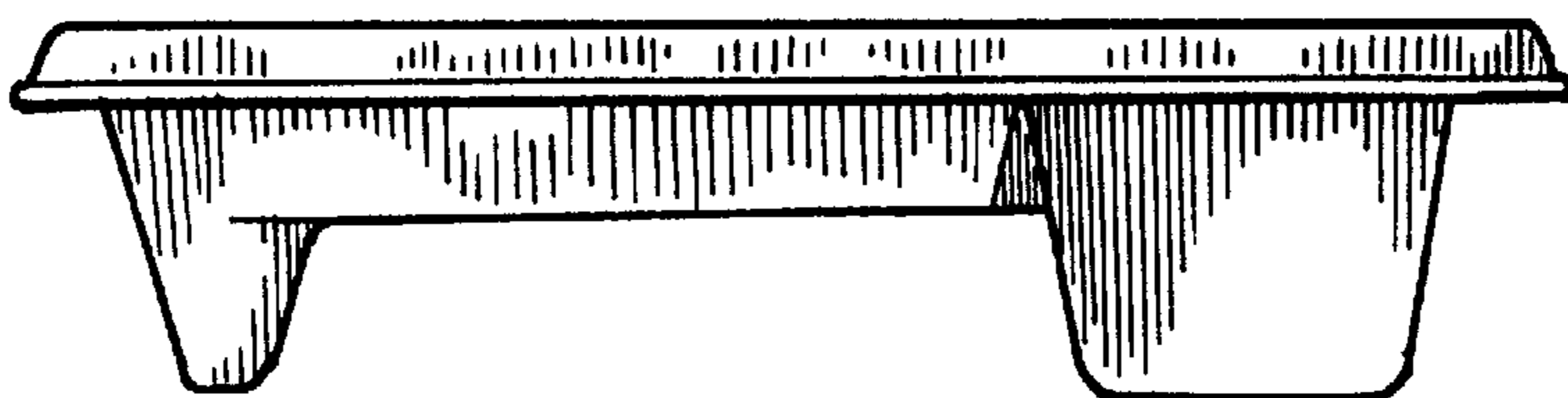


FIG. 4

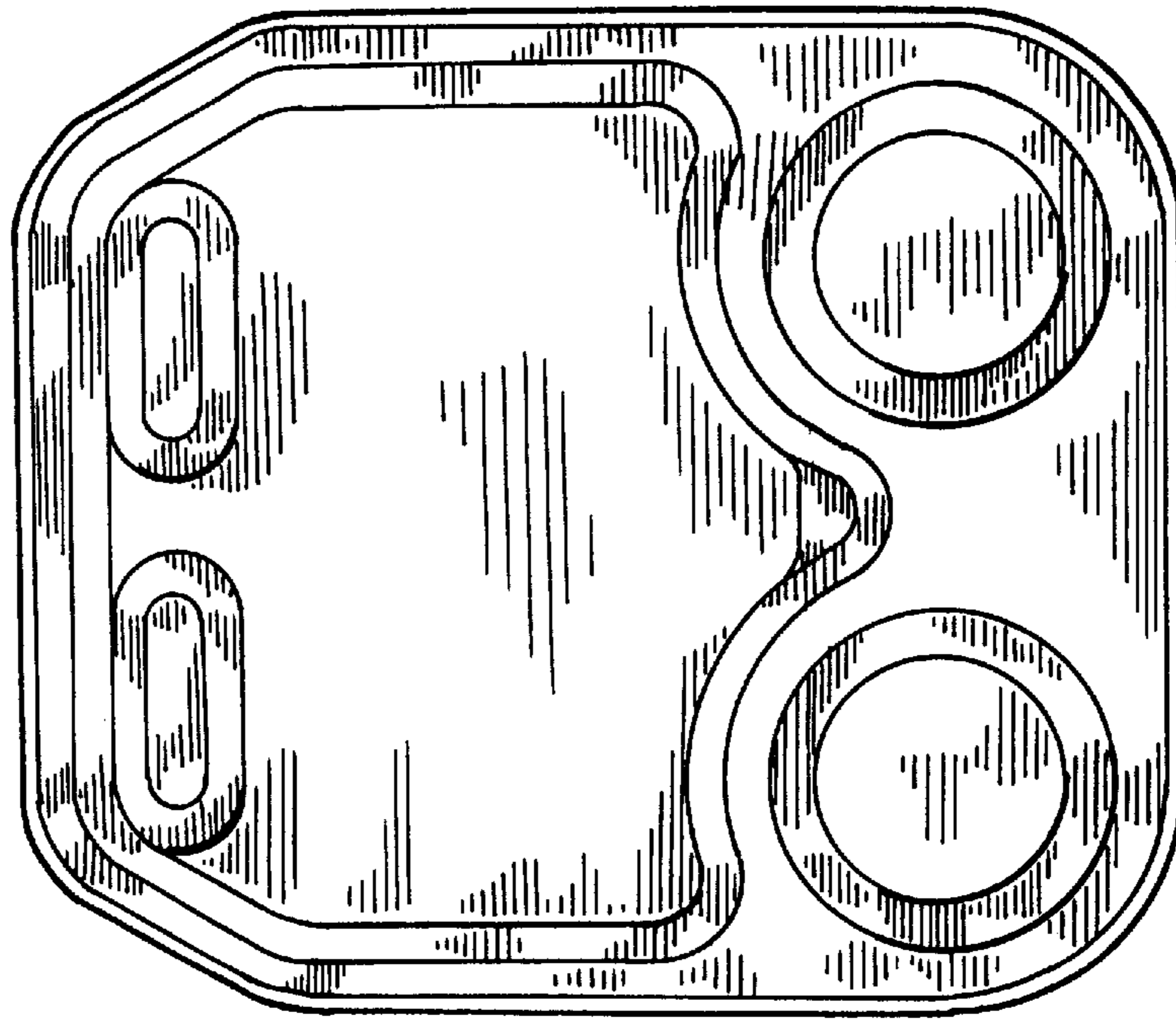


FIG. 5

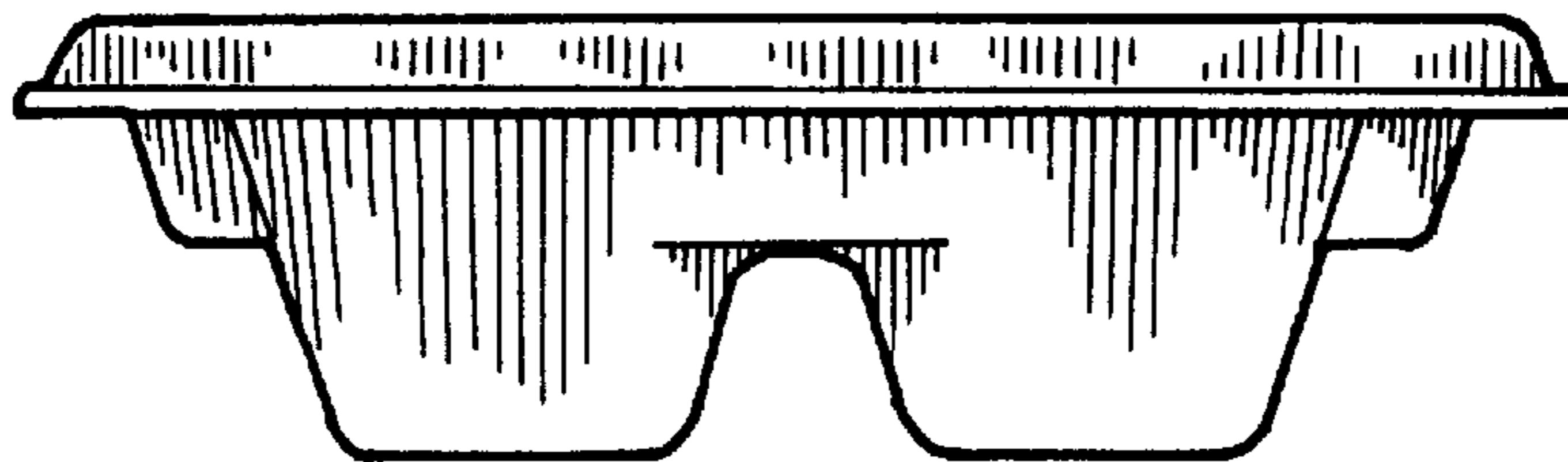


FIG. 6

