



US00D404215S

United States Patent [19] Hohl

[11] Patent Number: Des. 404,215

[45] Date of Patent: **Jan. 19, 1999

[54] BED

[76] Inventor: Scott R. Hohl, 498 Vine La., Amherst, N.Y. 14228

[**] Term: 14 Years

[21] Appl. No.: 84,425

[22] Filed: Mar. 3, 1998

[51] LOC (6) Cl. 06-01

[52] U.S. Cl. D6/388

[58] Field of Search D6/382-384, 388-395, D6/506; D21/534; 5/2.1, 279.1, 280, 93.1, 100, 308, 907

[56] References Cited

U.S. PATENT DOCUMENTS

D. 138,194	7/1944	Duffy	D21/534
D. 138,195	7/1944	Duffy	D21/534
D. 190,288	5/1961	Monax	D21/534
D. 253,259	10/1979	Rutar	D6/388
D. 264,773	6/1982	Sutherland	D6/388

Primary Examiner—Janice E. Seeger

Attorney, Agent, or Firm—James C. Simmons

[57] CLAIM

The ornamental design for a bed, as shown and described.

DESCRIPTION

FIG. 1 is a perspective view of a bed incorporating my design;

FIG. 2 is a side elevation view thereof, the opposite side being identical/symmetrical thereto;

FIG. 3 is a head end elevation view thereof;

FIG. 4 is a plan view thereof, the bottom view not being shown since the bottom is plain and unornamented;

FIG. 5 is a foot end elevation view thereof;

FIG. 6 is a view similar to that of FIG. 1 of an alternative embodiment of a bed incorporating my design;

FIG. 7 is a view similar to that of FIG. 3 of the embodiment of FIG. 6;

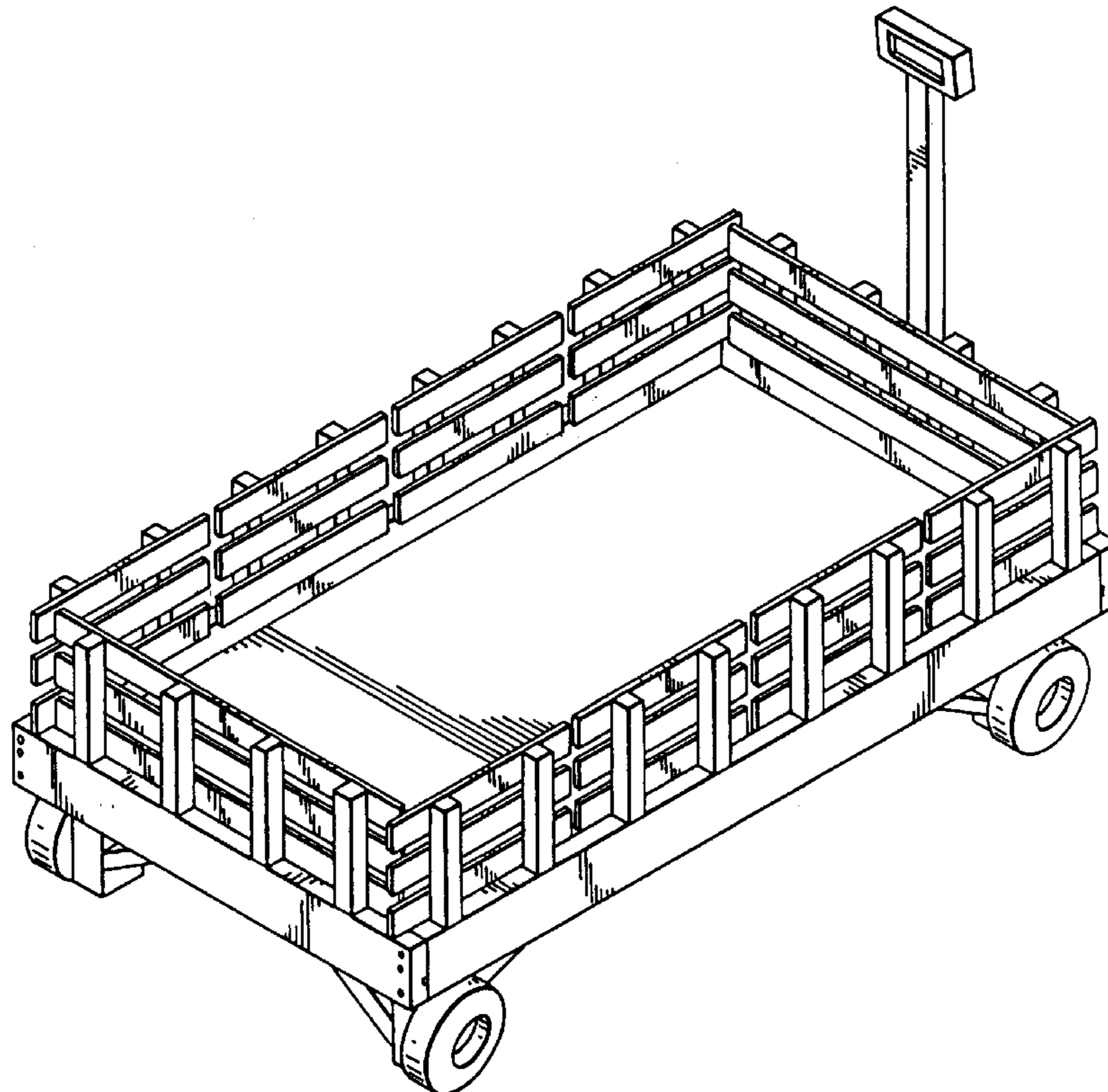
FIG. 8 is a partial view similar to that of FIG. 4 of the embodiment of FIG. 6, the portion not shown of the top of the bed of the alternative embodiment being the same as that shown in FIG. 4;

FIG. 9 is a partial view similar to that of FIG. 2 of the embodiment of FIG. 6; and

FIG. 10 is a view similar to that of FIG. 2 of an elevation view of the side of the bed of FIG. 6 which is opposite that shown in FIG. 9; and,

FIG. 11 is a view similar to that of FIG. 5 of the embodiment of FIG. 6.

1 Claim, 6 Drawing Sheets



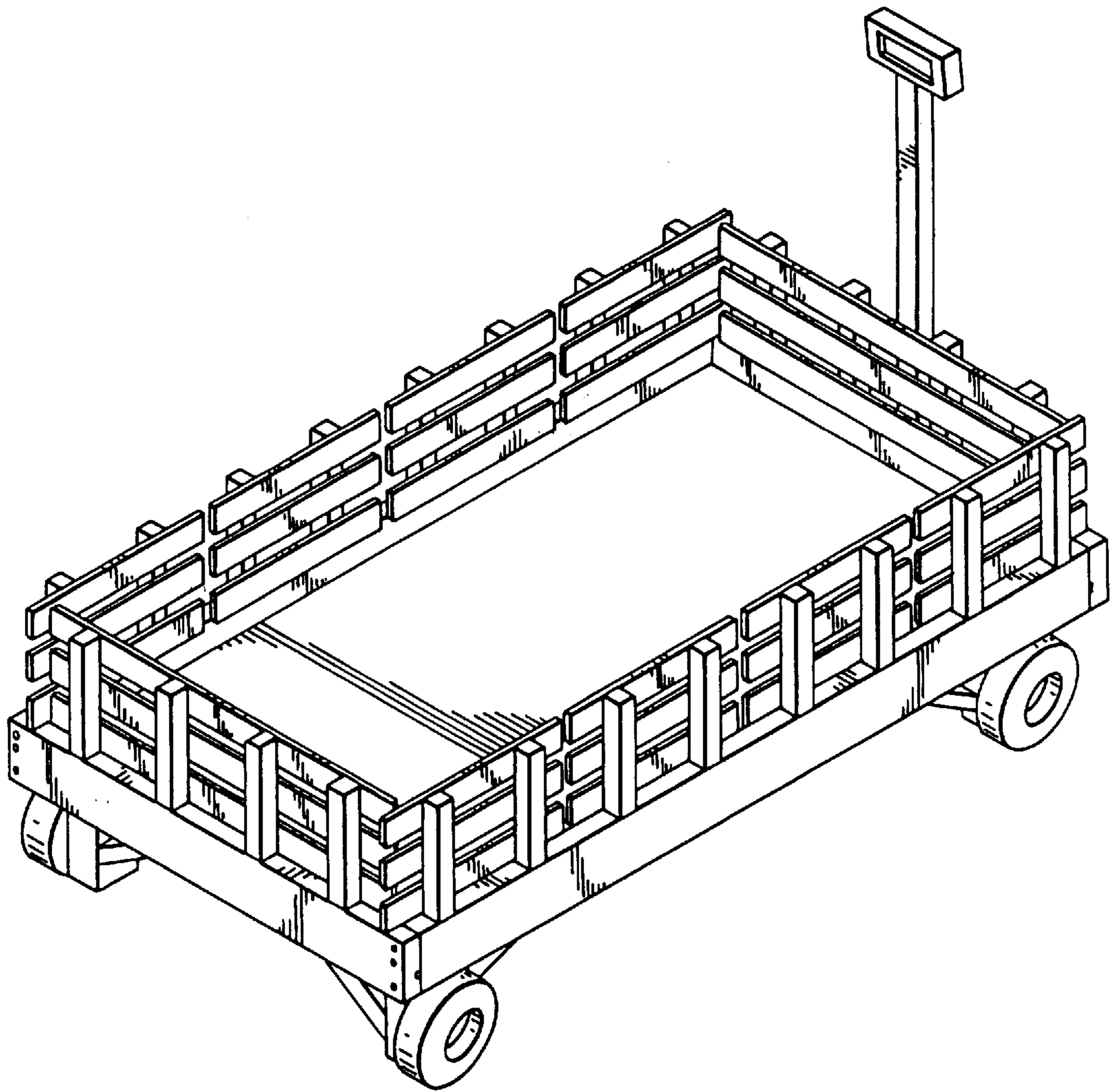


FIG. 1

FIG. 2

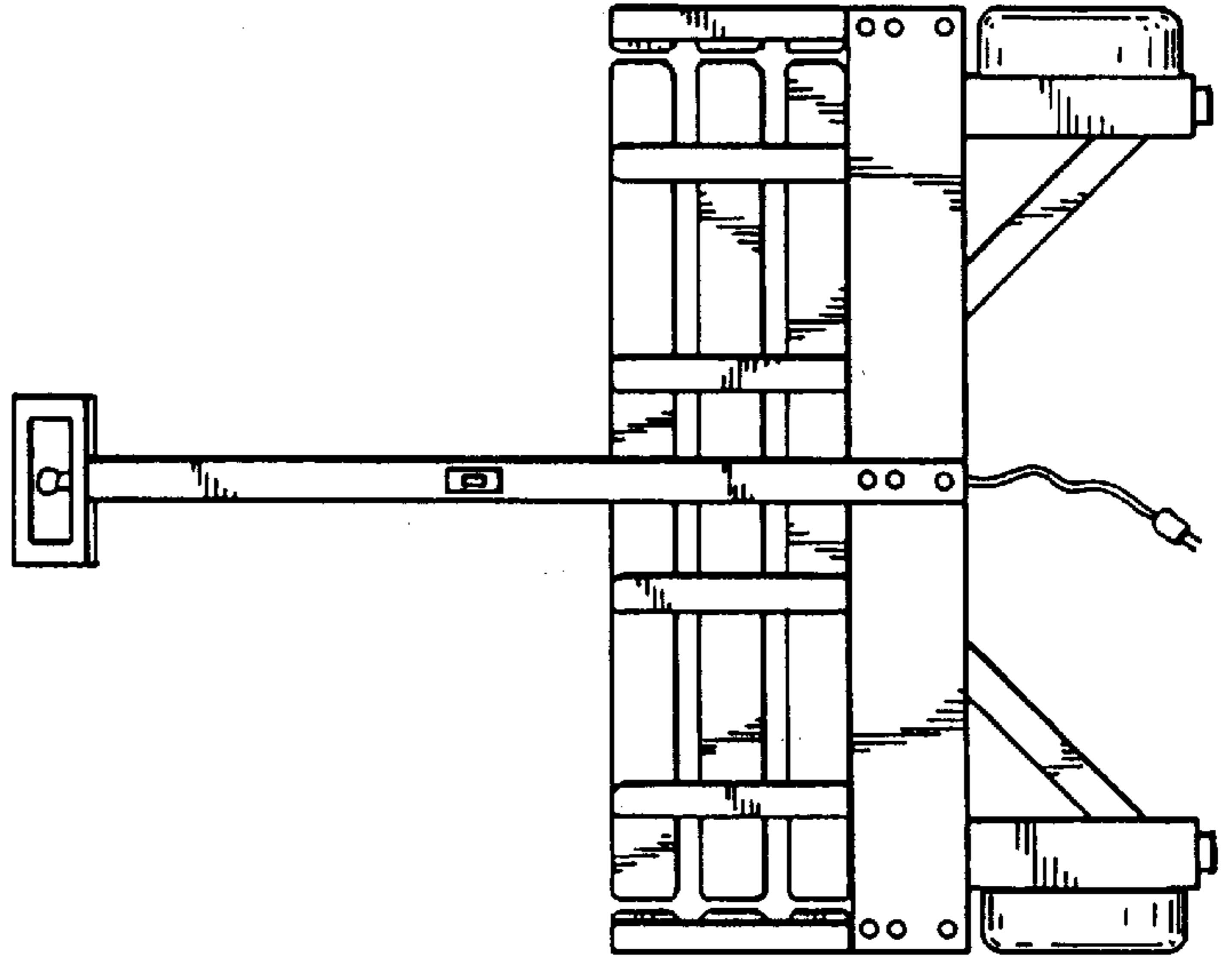
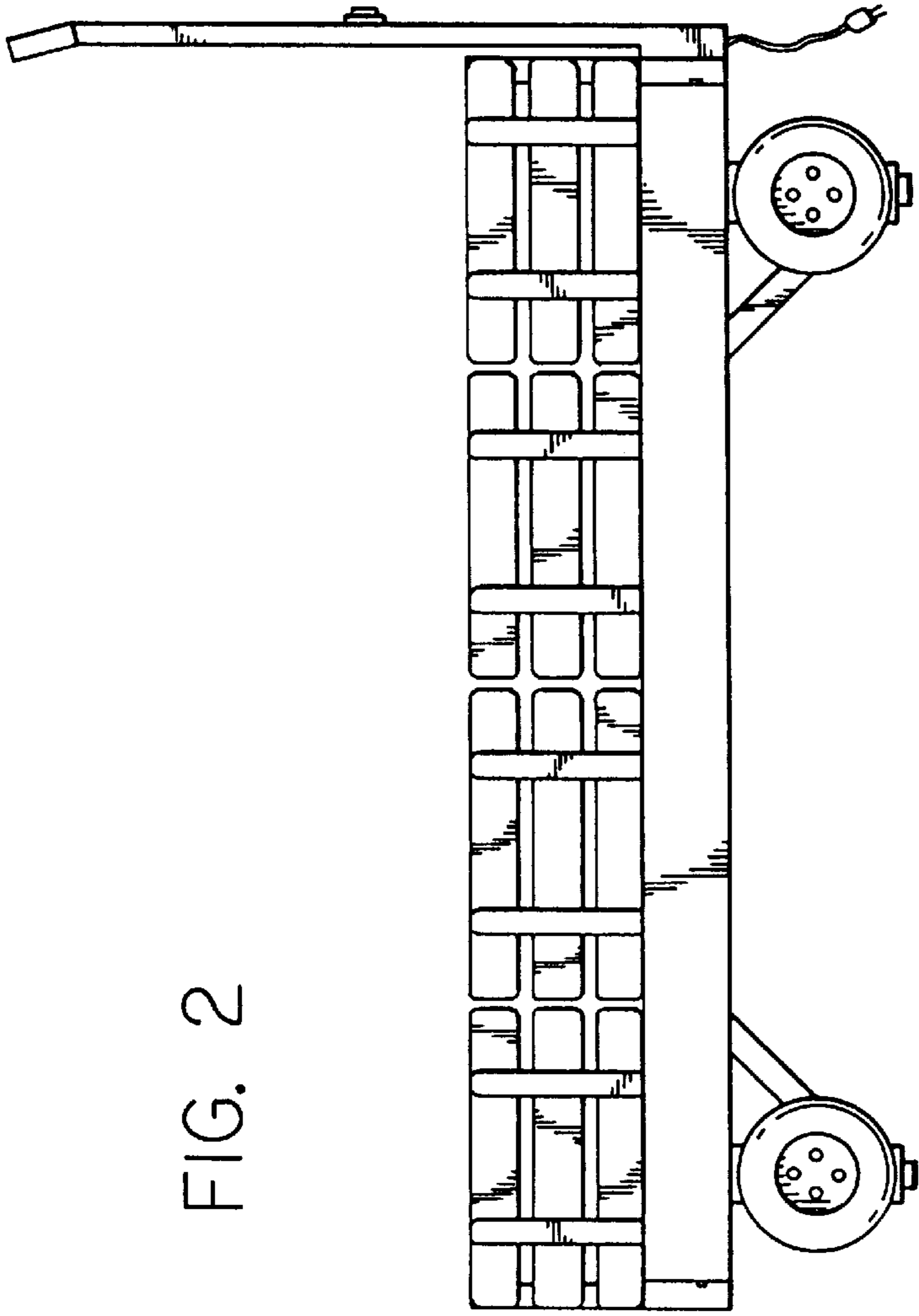


FIG. 3

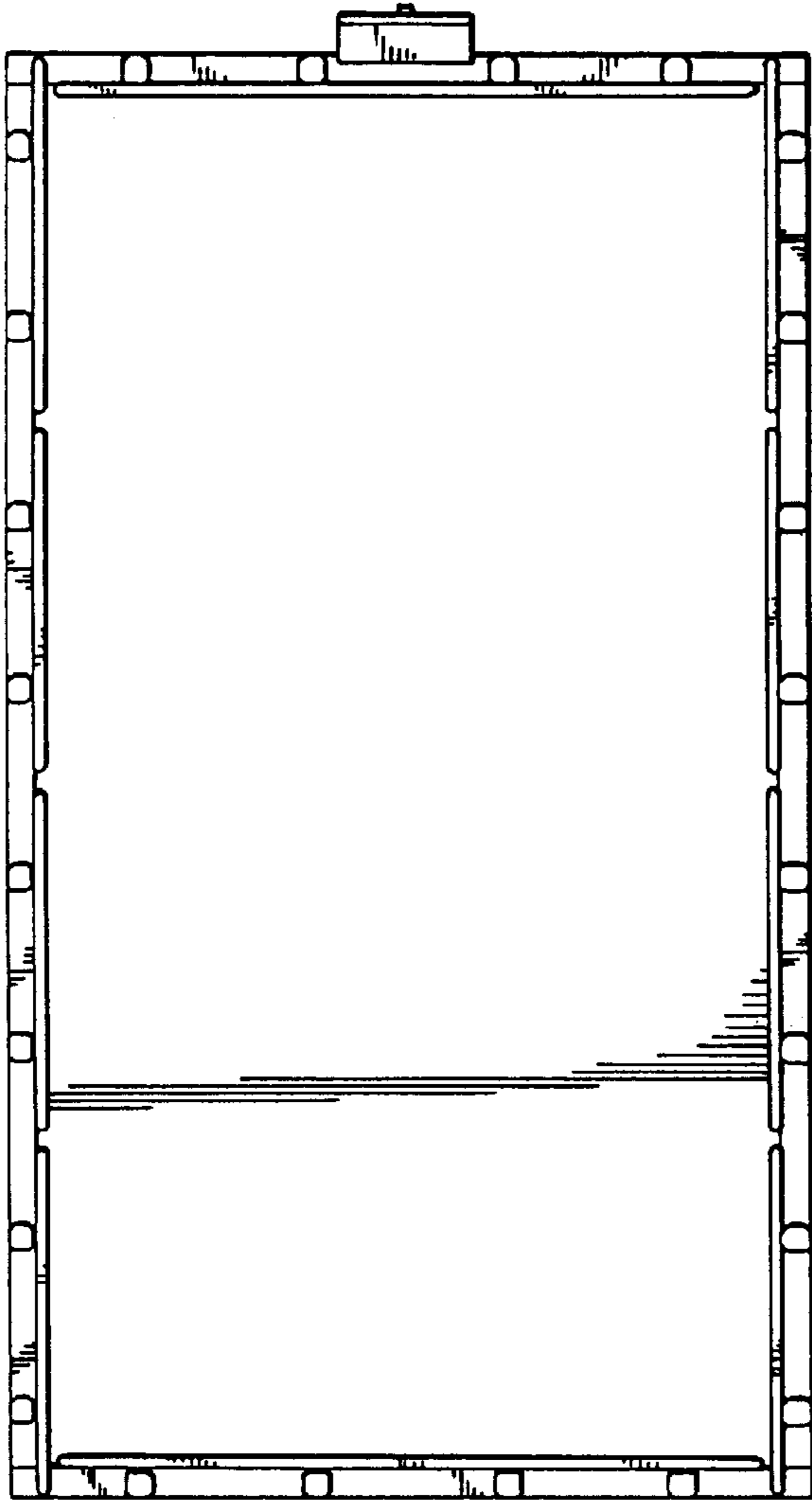


FIG. 4

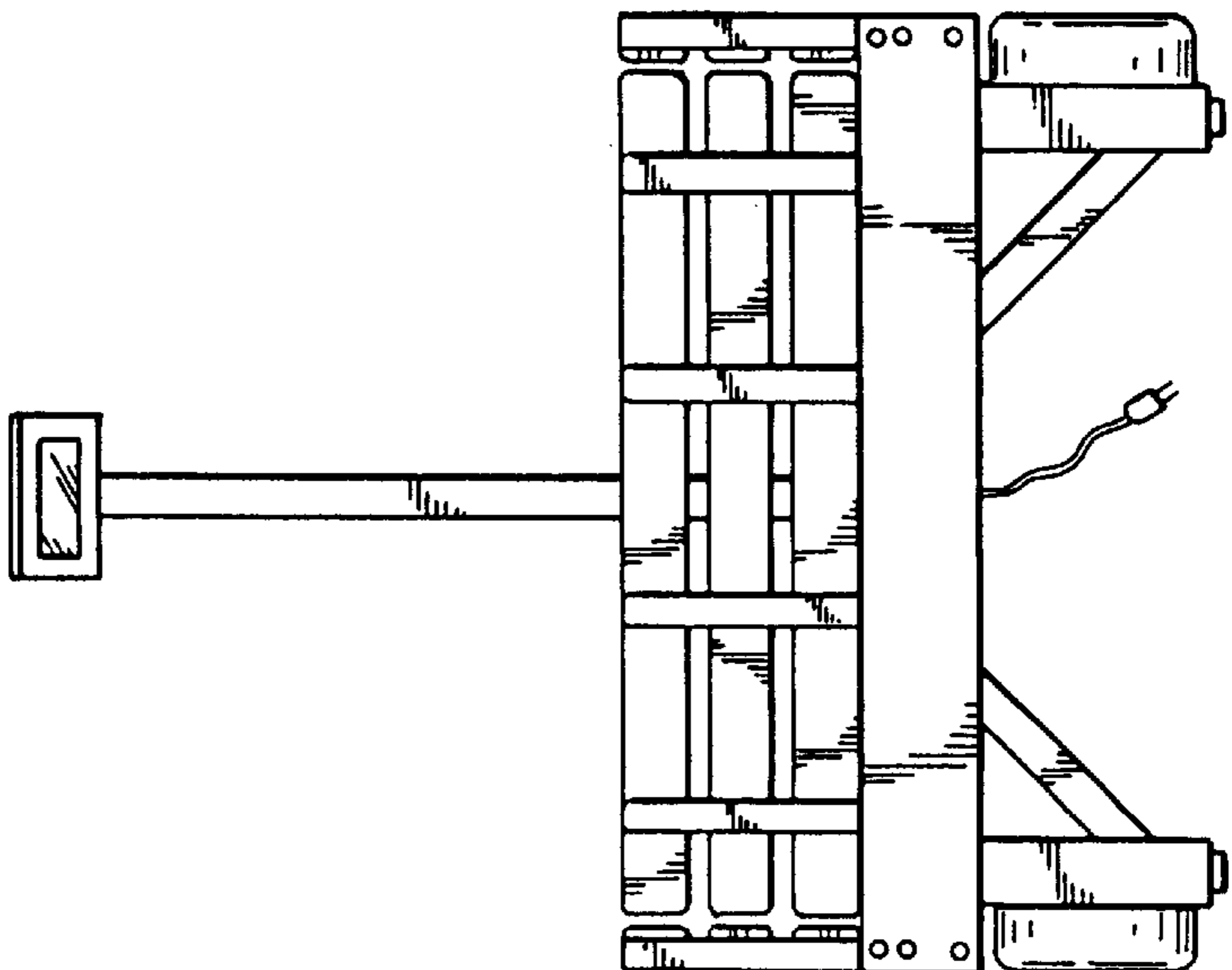


FIG. 5

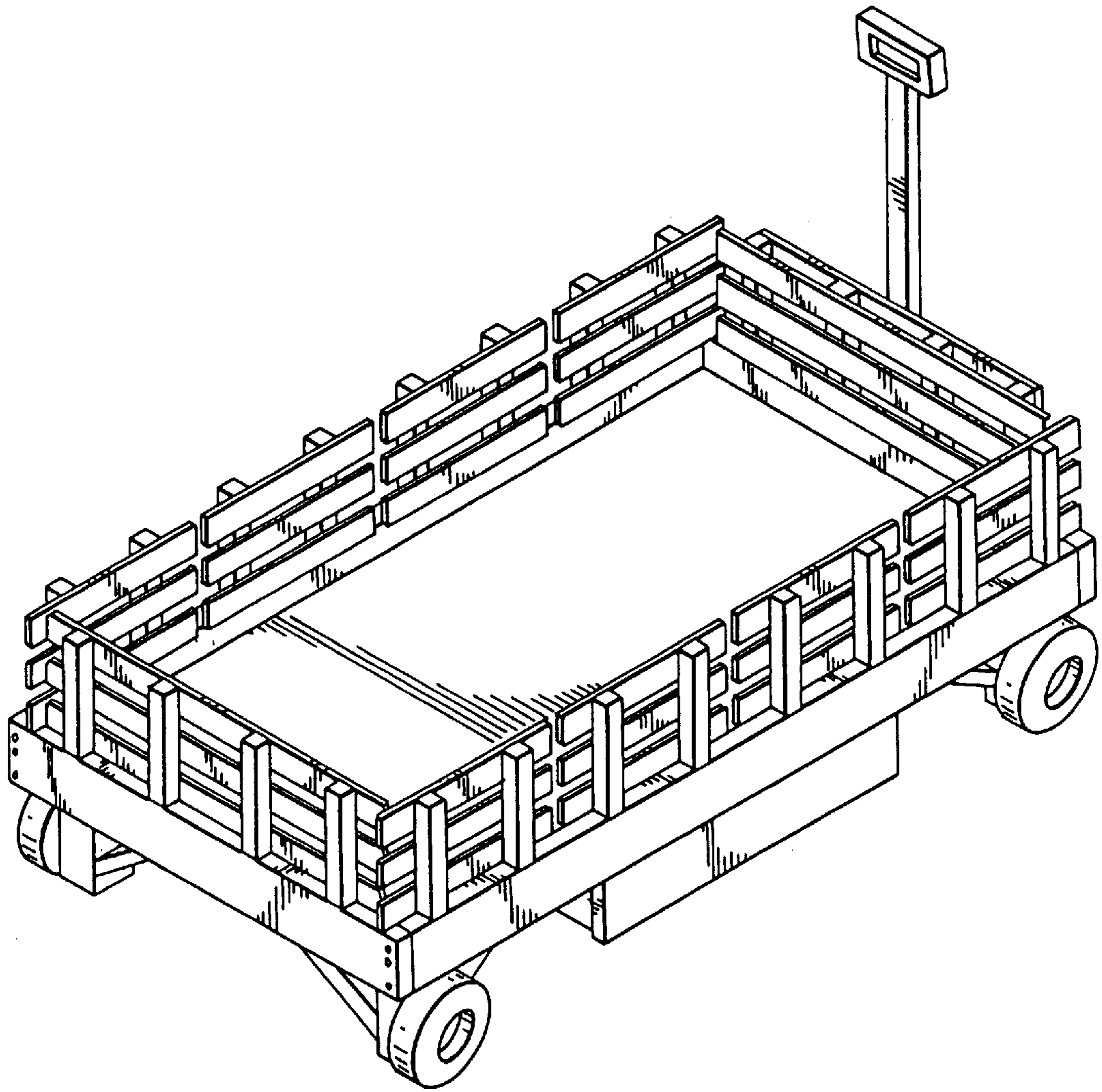


FIG. 6

FIG. 7

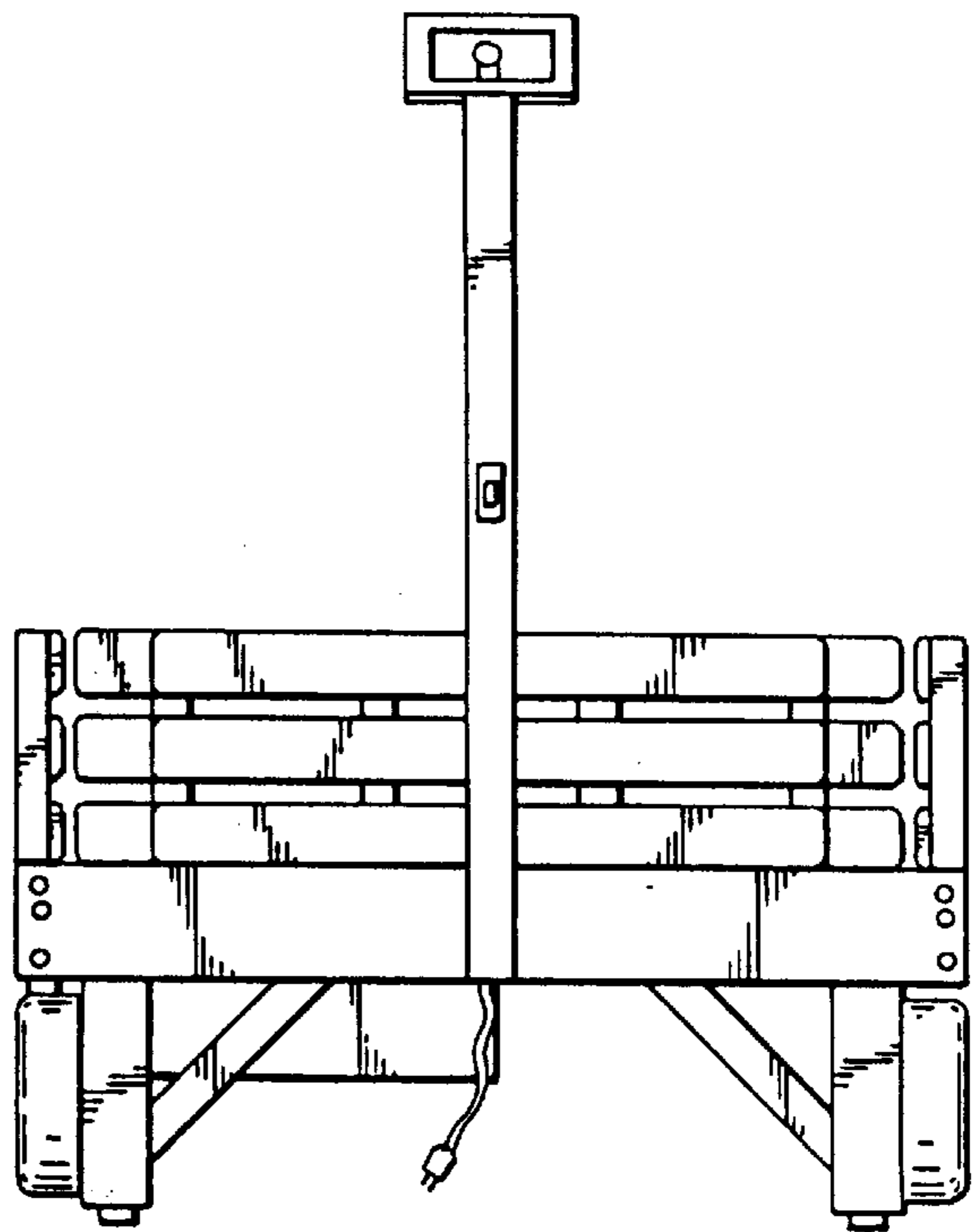


FIG. 8

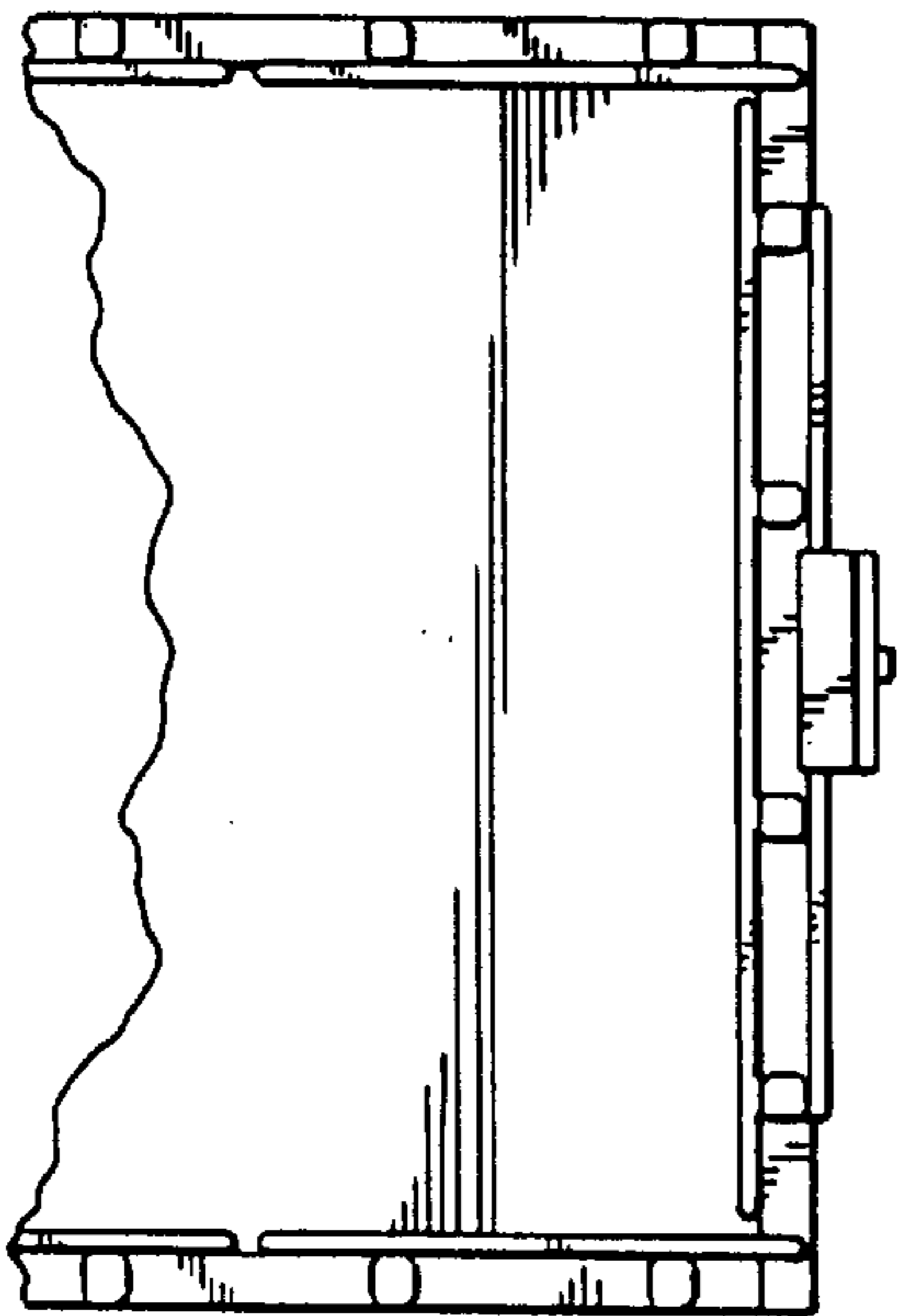


FIG. 9

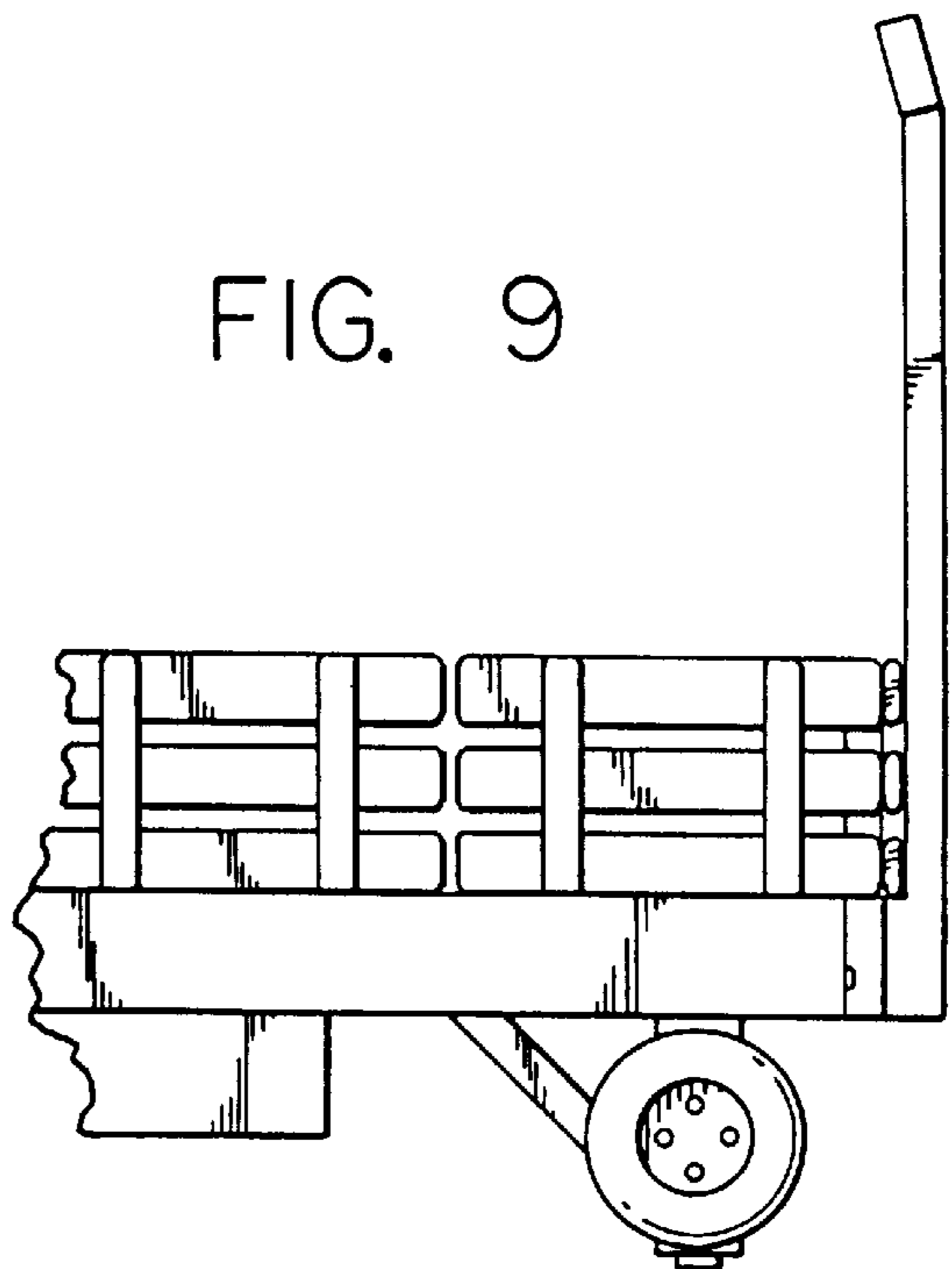


FIG. 11

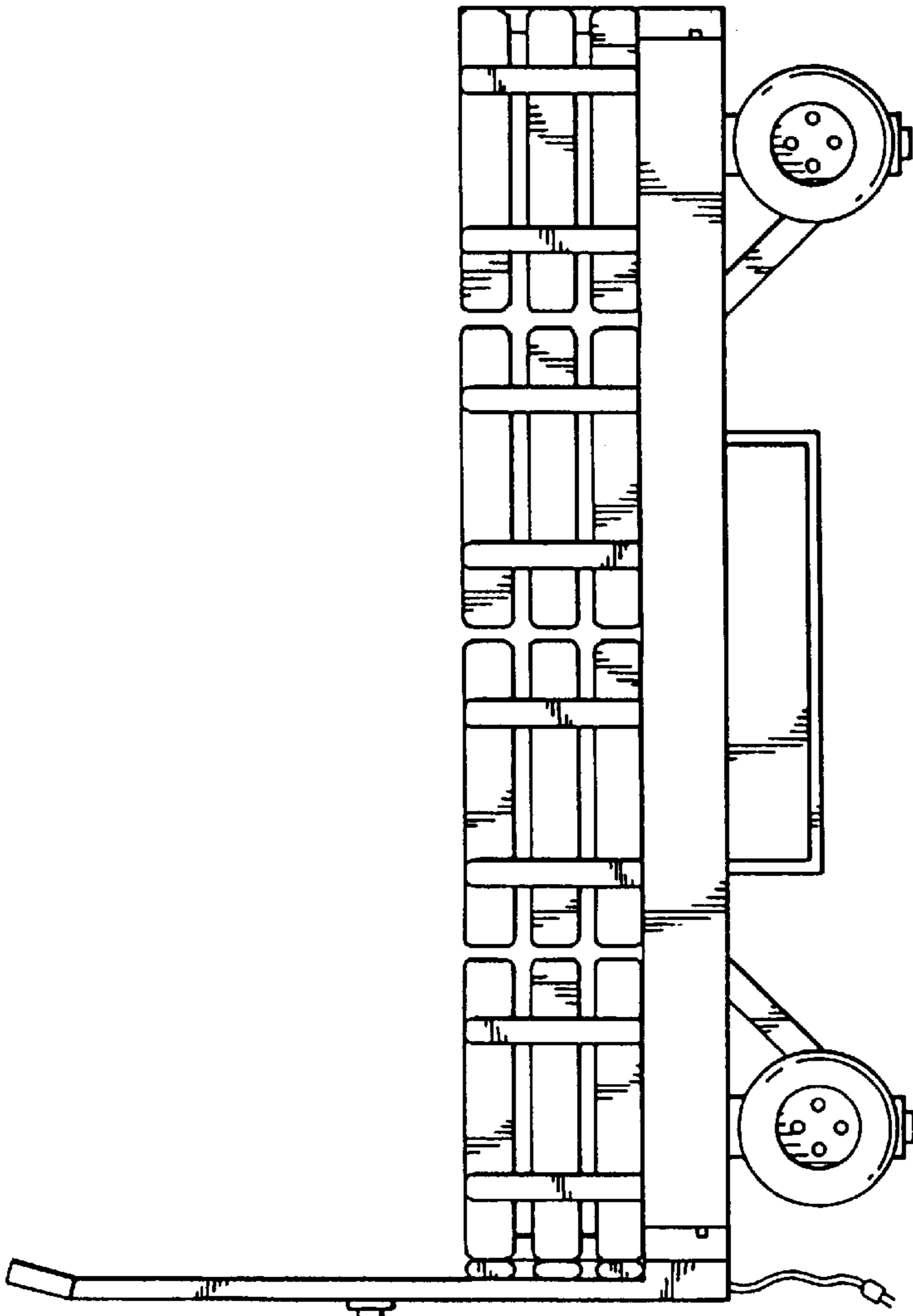
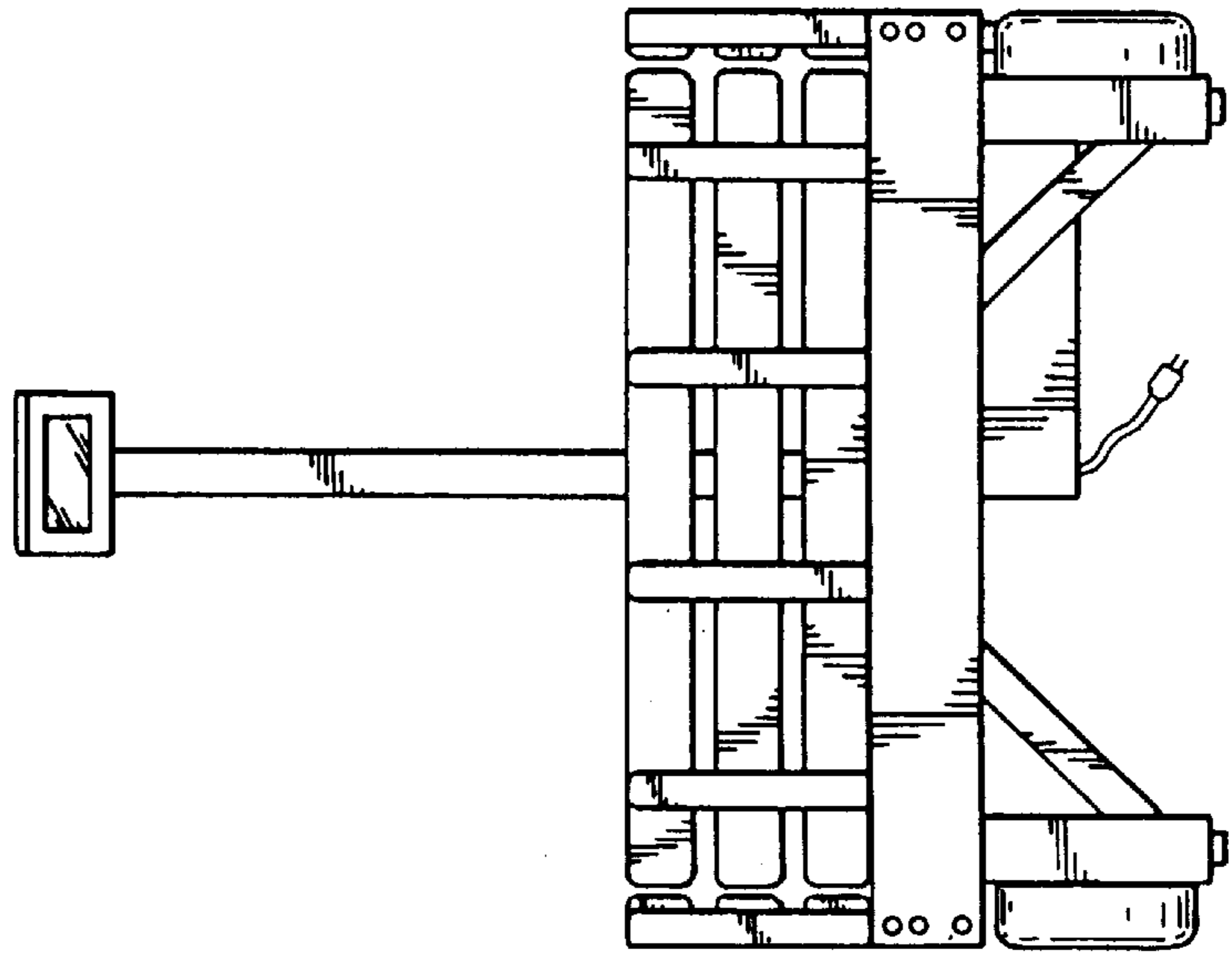


FIG. 10