



US00D404208S

United States Patent [19] Beno

[11] **Patent Number: Des. 404,208**

[45] **Date of Patent: **Jan. 19, 1999**

[54] **REVERSIBLE EASEL**

| | | | | |
|------------|--------|---------|-------|---------|
| D. 319,926 | 9/1991 | Solomon | | D6/312 |
| 641,883 | 1/1900 | Evans | | D19/52 |
| 3,015,906 | 1/1962 | Guth | | 248/449 |

[75] Inventor: **Steven Beno**, Skokie, Ill.

[73] Assignee: **Quartet Manufacturing Company**, Skokie, Ill.

Primary Examiner—Janice E. Seeger
Attorney, Agent, or Firm—Martin Faier, Faier & Faier

[**] Term: **14 Years**

[57] **CLAIM**

[21] Appl. No.: **78,576**

The ornamental design for a reversible easel, as shown and described.

[22] Filed: **Oct. 27, 1997**

[51] **LOC (6) Cl.** **06-07**

DESCRIPTION

[52] **U.S. Cl.** **D6/312; D6/300**

FIG. 1 is a perspective view of the reversible easel embodying the invention;

[58] **Field of Search** D6/300, 310-314;
D19/52; 248/44.17, 445, 450, 451, 454,
455, 460, 453, 448, 449; 40/700, 745, 790,
798

FIG. 2 is an elevational view of the reversible easel embodying the invention, as viewed from front or back; and,

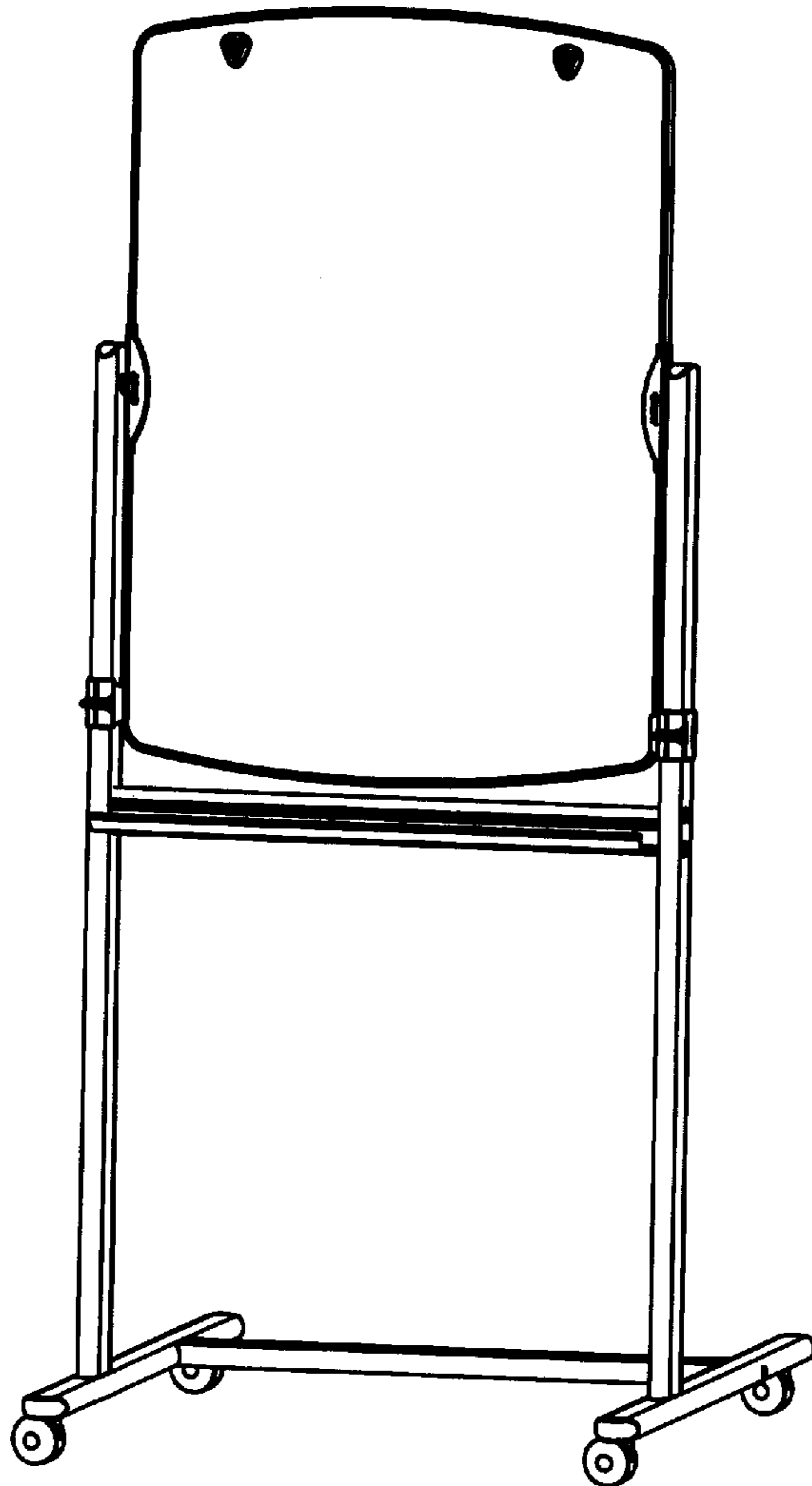
FIG. 3 is a side elevational view of the reversible easel embodying the invention.

[56] **References Cited**

U.S. PATENT DOCUMENTS

D. 302,986 8/1989 Takai et al. D18/36

1 Claim, 1 Drawing Sheet



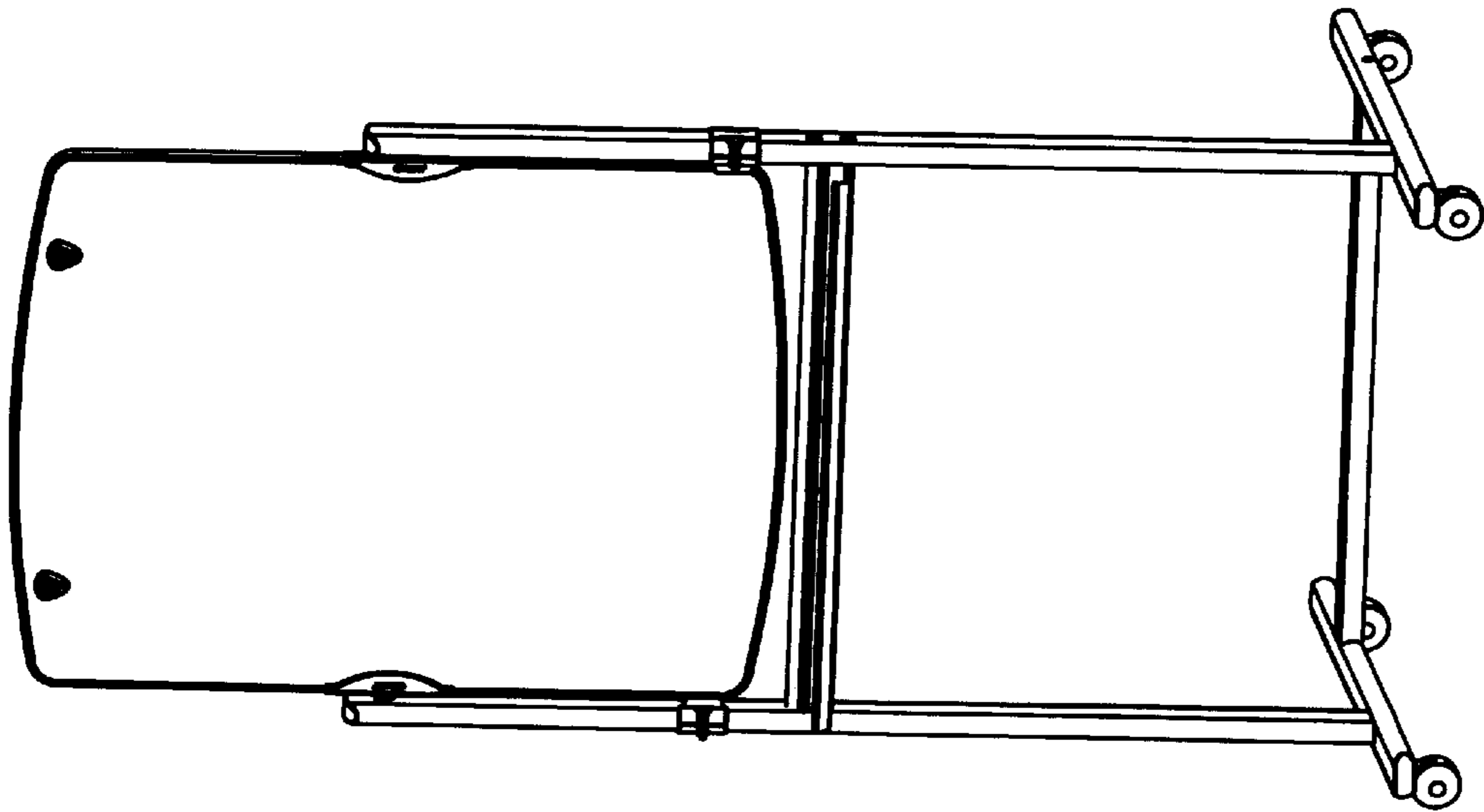


FIGURE 1

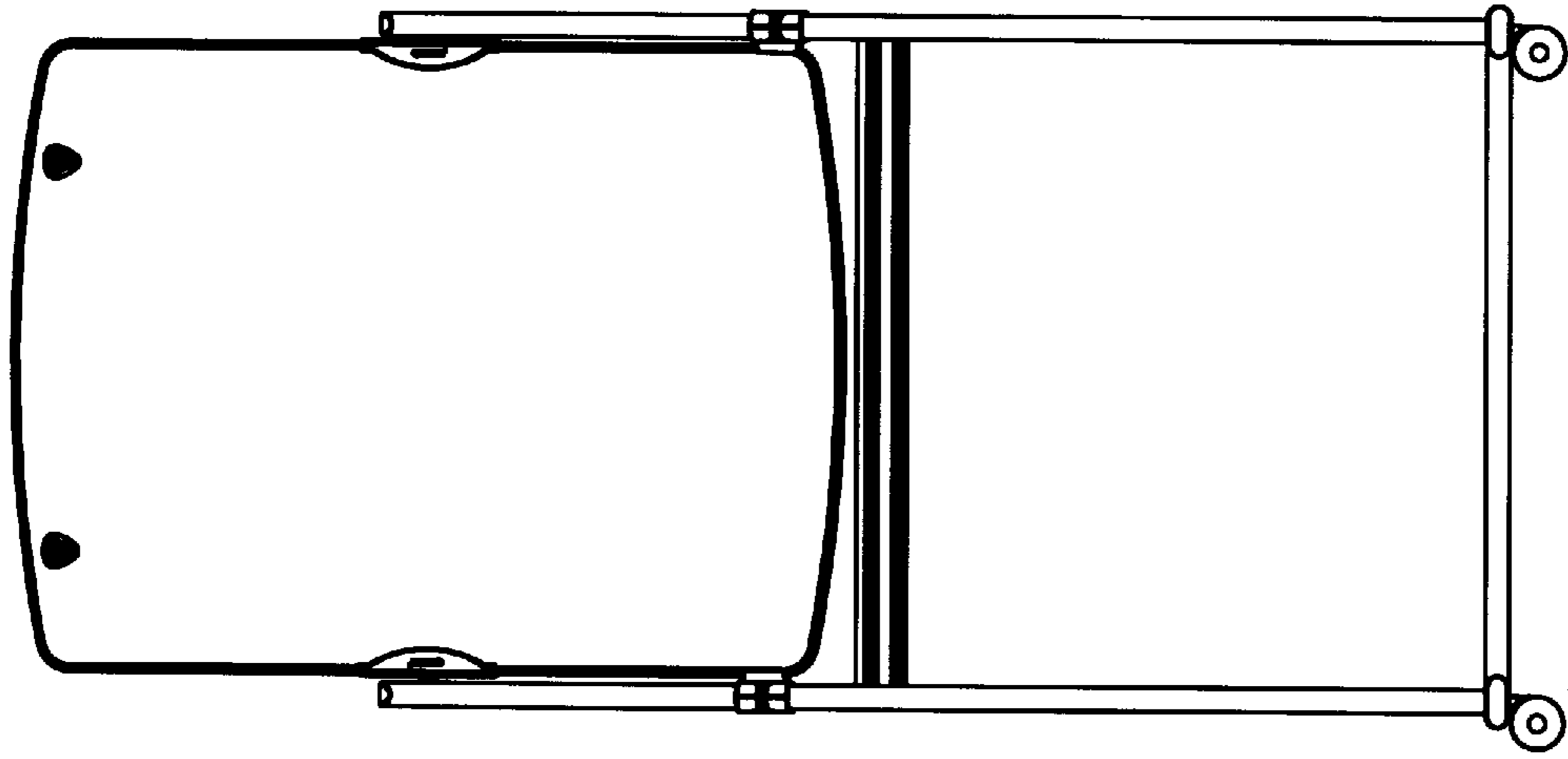


FIGURE 2

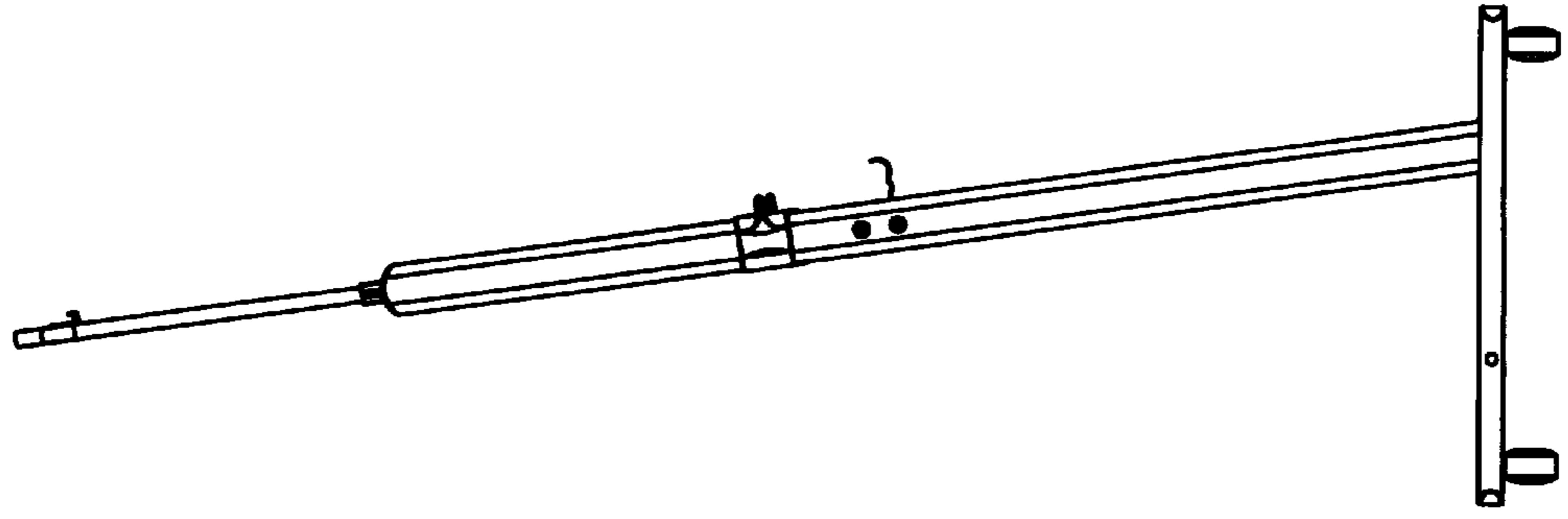


FIGURE 3