



US00D404207S

United States Patent [19]
Rubinstein

[11] **Patent Number: Des. 404,207**

[45] **Date of Patent: **Jan. 19, 1999**

[54] **CUSHION FOR AN ELECTRIC TOOTHBRUSH**

[76] Inventor: **Alan I. Rubinstein**, 100 S. Doreny Dr. #301, Los Angeles, Calif. 90048

[**] Term: **14 Years**

[21] Appl. No.: **68,223**

[22] Filed: **Mar. 20, 1997**

[51] **LOC (6) Cl.** **04-02**

[52] **U.S. Cl.** **D4/113**

[58] **Field of Search** D4/104-113, 199; D8/402; 15/110, 167.1, 167.2; 601/136, 138, 139, 141, 142; 292/288, 343; D30/148; D21/387

[56] **References Cited**

U.S. PATENT DOCUMENTS

D. 348,986	7/1994	Ross	D4/104
786,831	4/1905	McMahon	292/343
2,172,610	9/1939	Frank	292/288
2,253,210	8/1941	Psiharis	601/139
2,584,649	2/1952	Woodbury	601/136
4,059,101	11/1977	Richmond	601/139

FOREIGN PATENT DOCUMENTS

360766	3/1990	European Pat. Off.	15/167.1
3114507	3/1983	Germany	15/110
92/10113	6/1992	WIPO	15/167.1

Primary Examiner—Alan P. Douglas
Assistant Examiner—Lavone D. Tabor
Attorney, Agent, or Firm—Oppenheimer, Wolff & Donnelly

[57] **CLAIM**

The ornamental design for a cushion for an electric toothbrush, as shown.

DESCRIPTION

FIG. 1 is a perspective view;
FIG. 2 is a top plan view;
FIG. 3 is a bottom plan view;
FIG. 4 is a front elevation;
FIG. 5 is a side elevation;
FIG. 6 is a rear elevation.

The partial broken line showing of an electric toothbrush is for illustrative purposes only and forms no part of the claimed design.

1 Claim, 1 Drawing Sheet

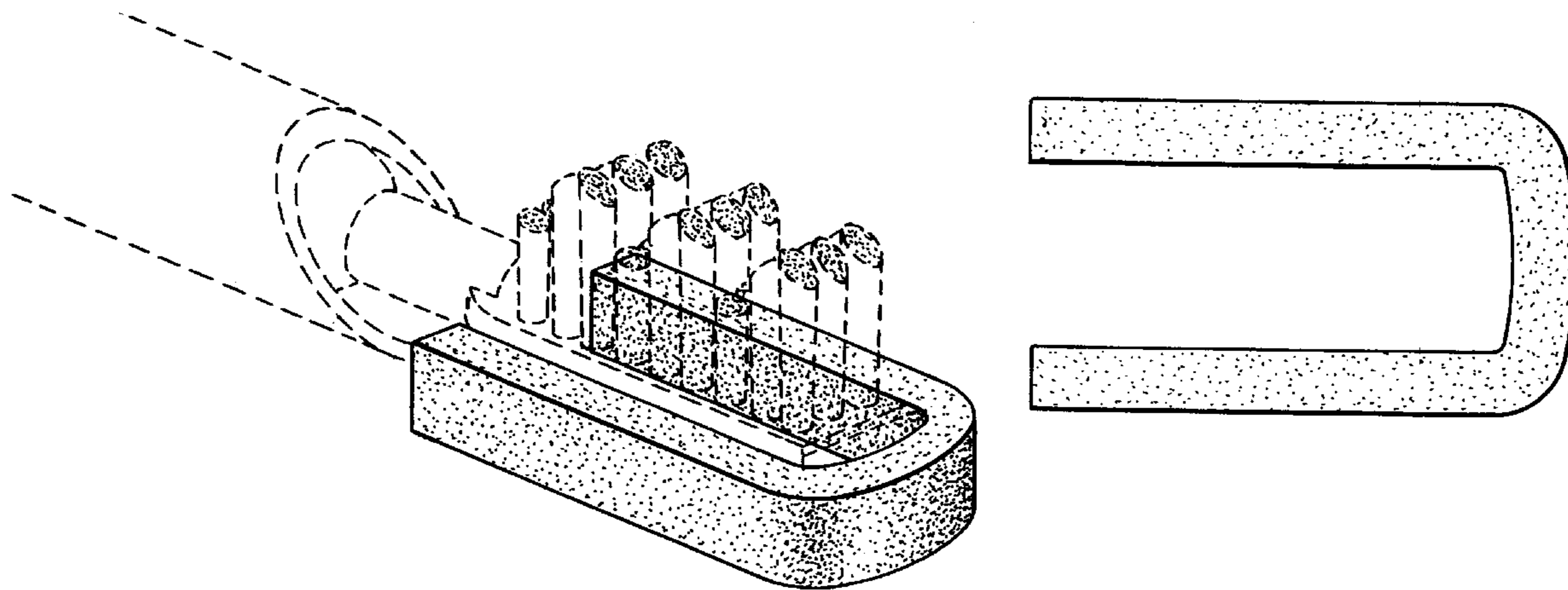


FIG. 1.

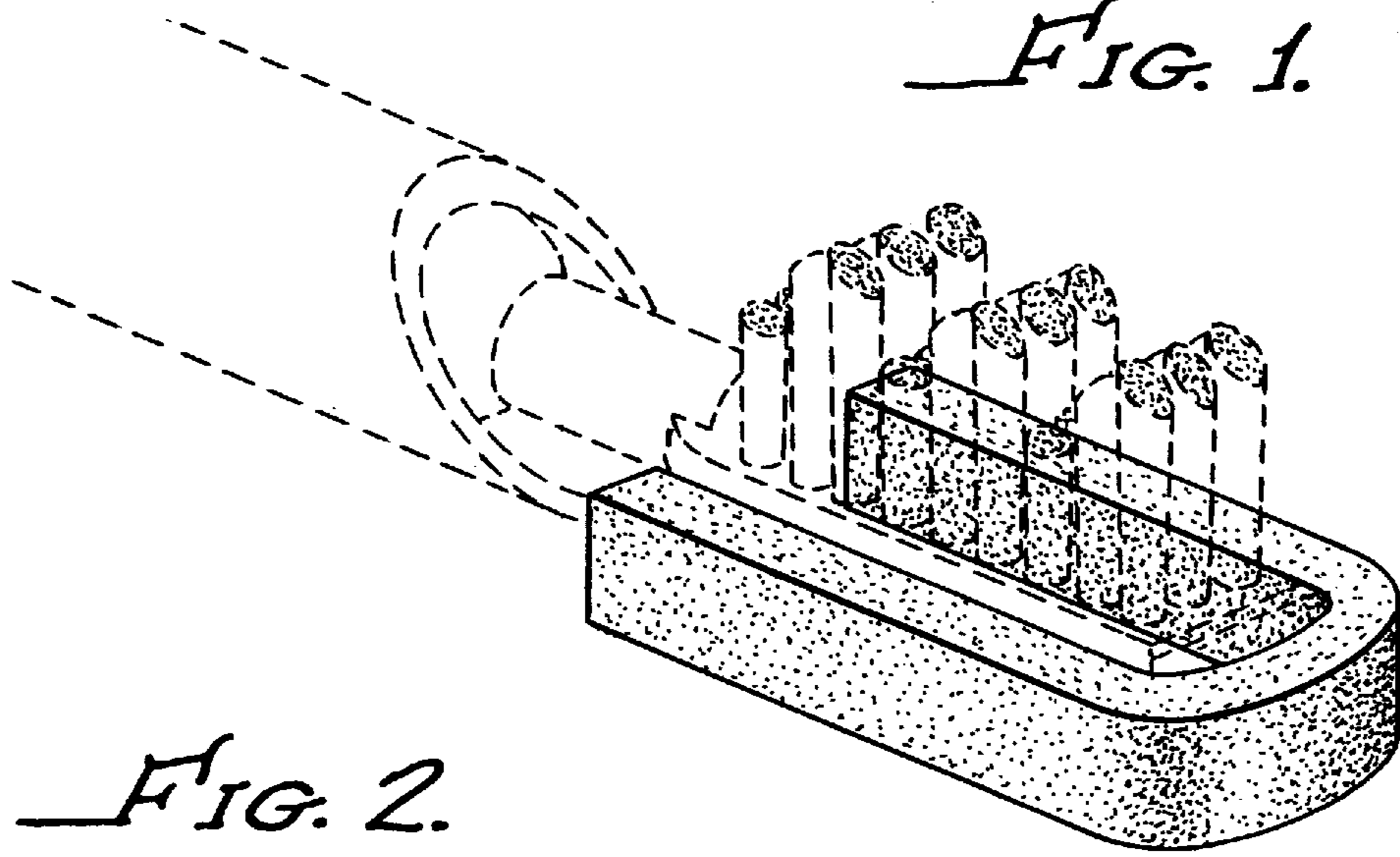


FIG. 2.

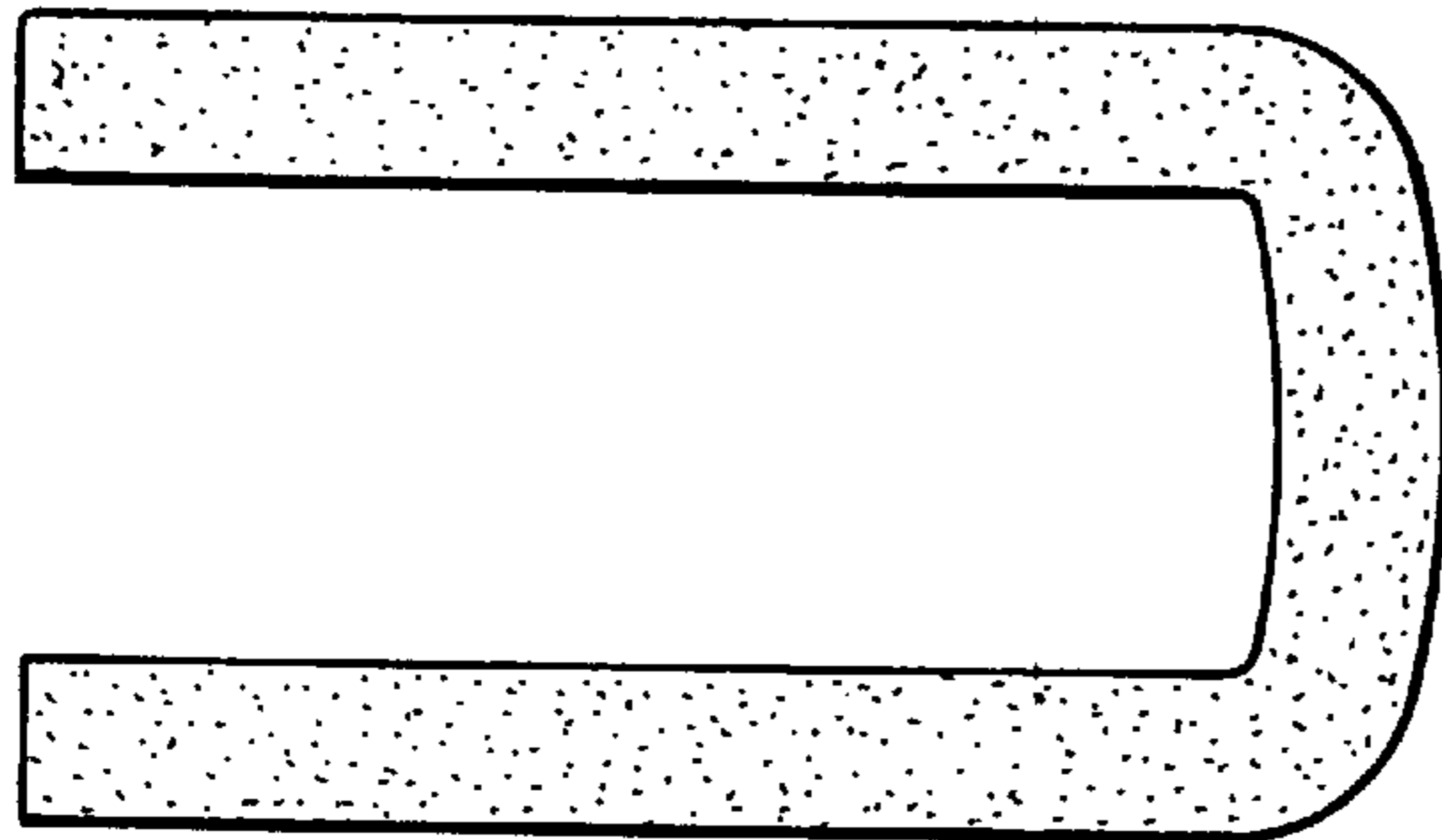


FIG. 3.

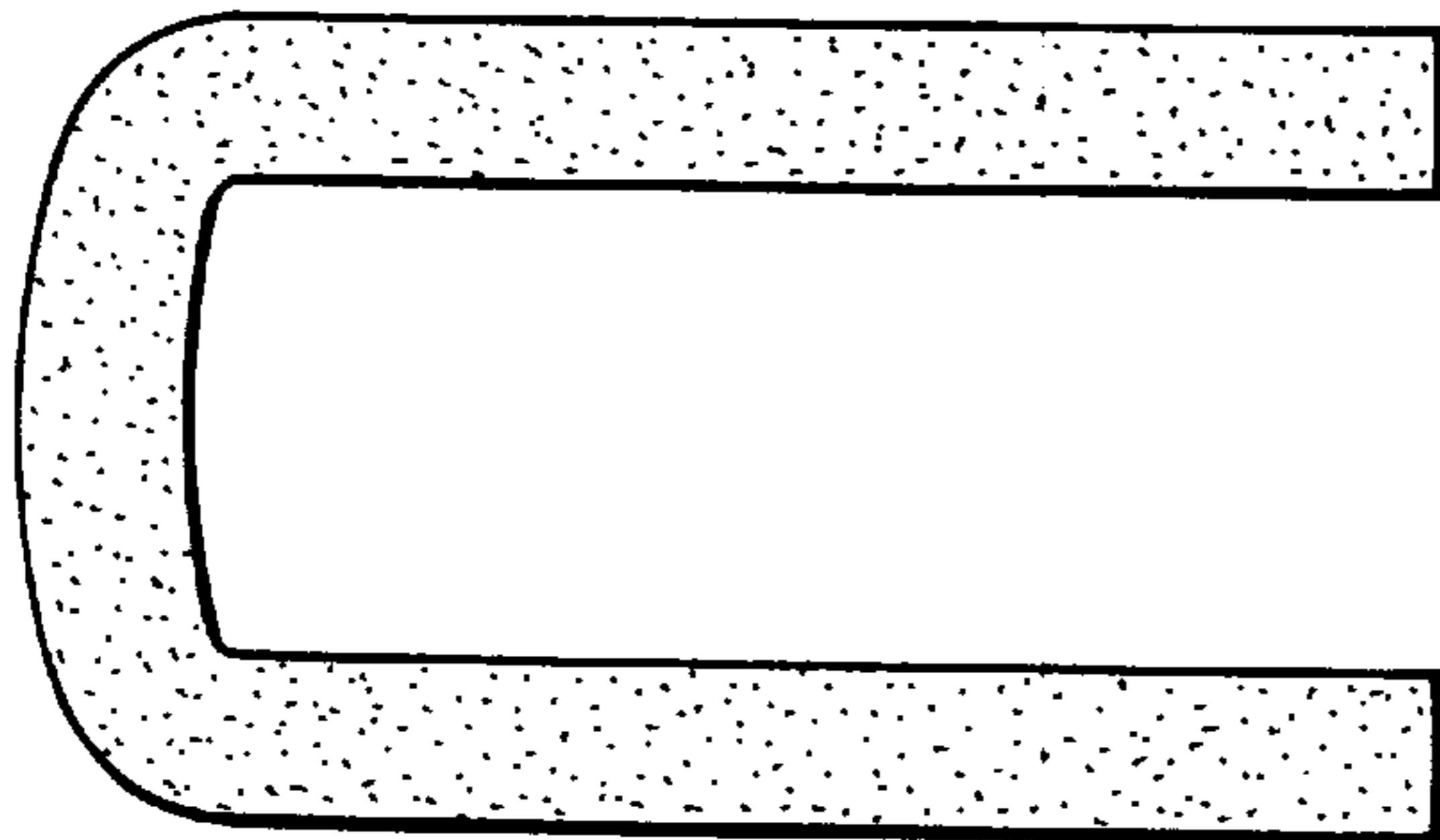


FIG. 4.



FIG. 5.

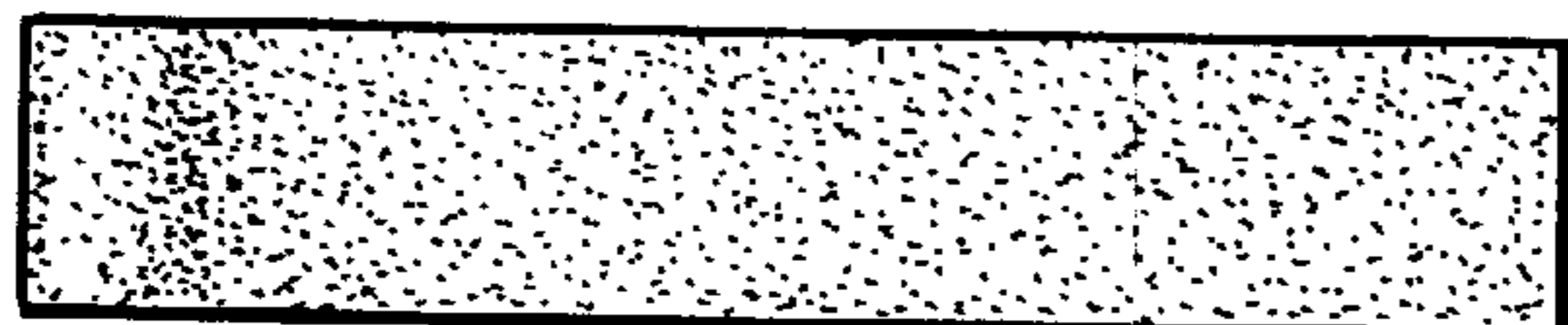


FIG. 6.

