

US00D404204S

United States Patent [19]
Apps

[11] **Patent Number: Des. 404,204**
[45] **Date of Patent: **Jan. 19, 1999**

[54] **CAN TRAY**

[75] **Inventor: William Patrick Apps, Alpharetta, Ga.**

[73] **Assignee: Rehrig Pacific Company, Inc., Los Angeles, Calif.**

[**] **Term: 14 Years**

[21] **Appl. No.: 68,737**

[22] **Filed: Mar. 31, 1997**

[51] **LOC (6) Cl. 03-01**

[52] **U.S. Cl. D3/314**

[58] **Field of Search D3/304, 307-314; 206/427, 503, 557; 220/676, DIG. 2, DIG. 15**

[56] **References Cited**

U.S. PATENT DOCUMENTS

| | | | | |
|------------|--------|----------------|-------|--------|
| D. 239,213 | 3/1976 | Carroll | | D3/314 |
| D. 266,198 | 9/1982 | Carroll et al. | | D3/304 |
| D. 319,908 | 9/1991 | Stahl | | D3/304 |

Primary Examiner—Philip S. Hyder
Assistant Examiner—Richelle Shelton
Attorney, Agent, or Firm—Banner & Witcoff, Ltd.

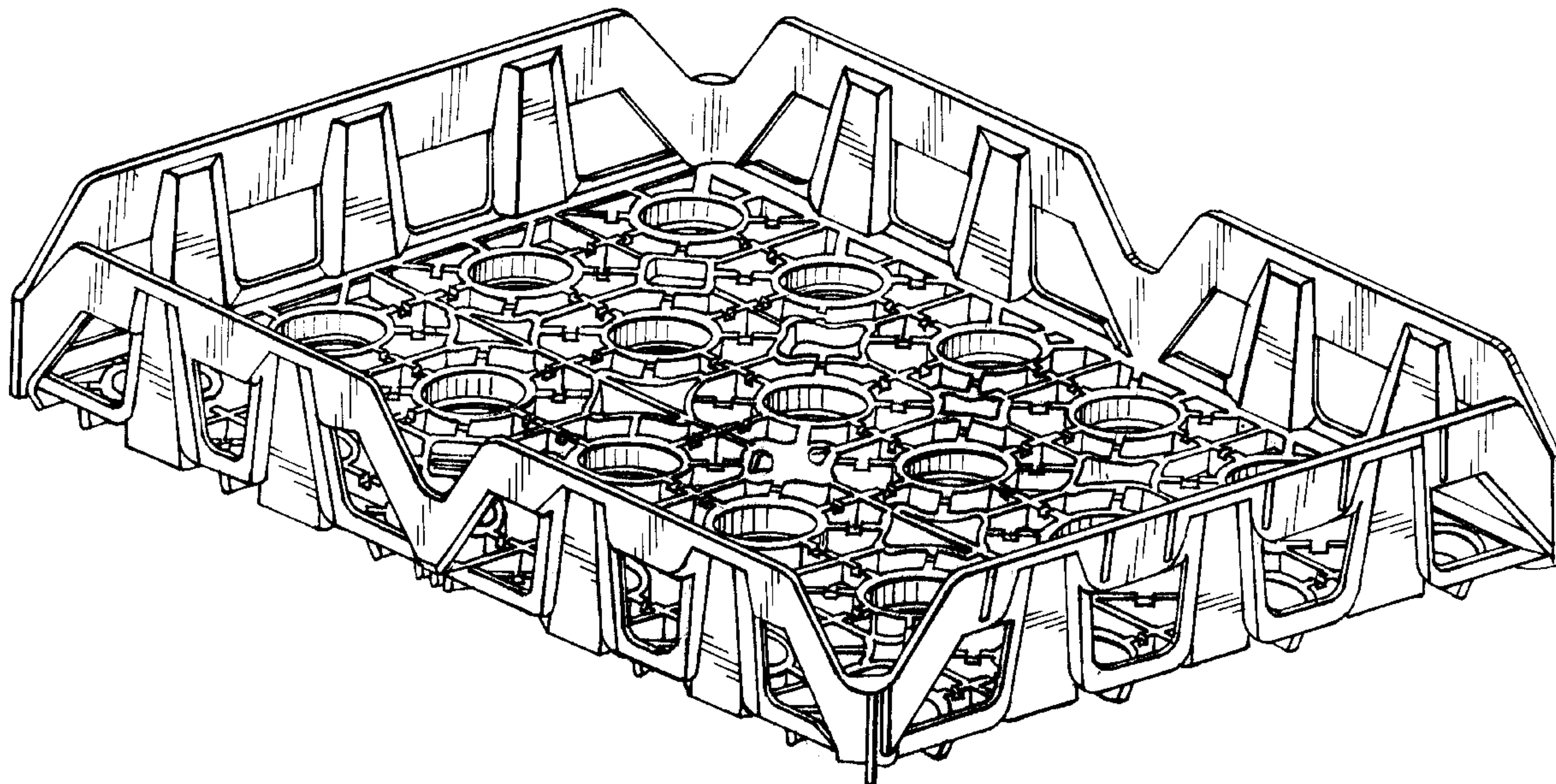
[57] **CLAIM**

The ornamental design for a can tray, as shown and described.

DESCRIPTION

FIG. 1 is a top perspective view of a can tray in accordance with my new design;
FIG. 2 is a bottom perspective view of the can tray of FIG. 1;
FIG. 3 is an end elevational view of the can tray of FIG. 1, the opposite end being a mirror image thereof;
FIG. 4 is a side end elevational view of the can tray of FIG. 1, the opposite side being a mirror image thereof;
FIG. 5 is a top plan view of the can tray of FIG. 1;
FIG. 6 is a bottom plan view of the can tray of FIG. 1;
FIG. 7 is a cross-sectional view of the can tray taken generally along line 7—7 of FIG. 5;
FIG. 8 is a cross-sectional view of the can tray taken generally along line 8—8 of FIG. 5;
FIG. 9 is a cross-sectional view of the can tray taken generally along line 9—9 of FIG. 5; and,
FIG. 10 is a cross-sectional view of the can tray taken generally along line 10—10 of FIG. 5.

1 Claim, 7 Drawing Sheets



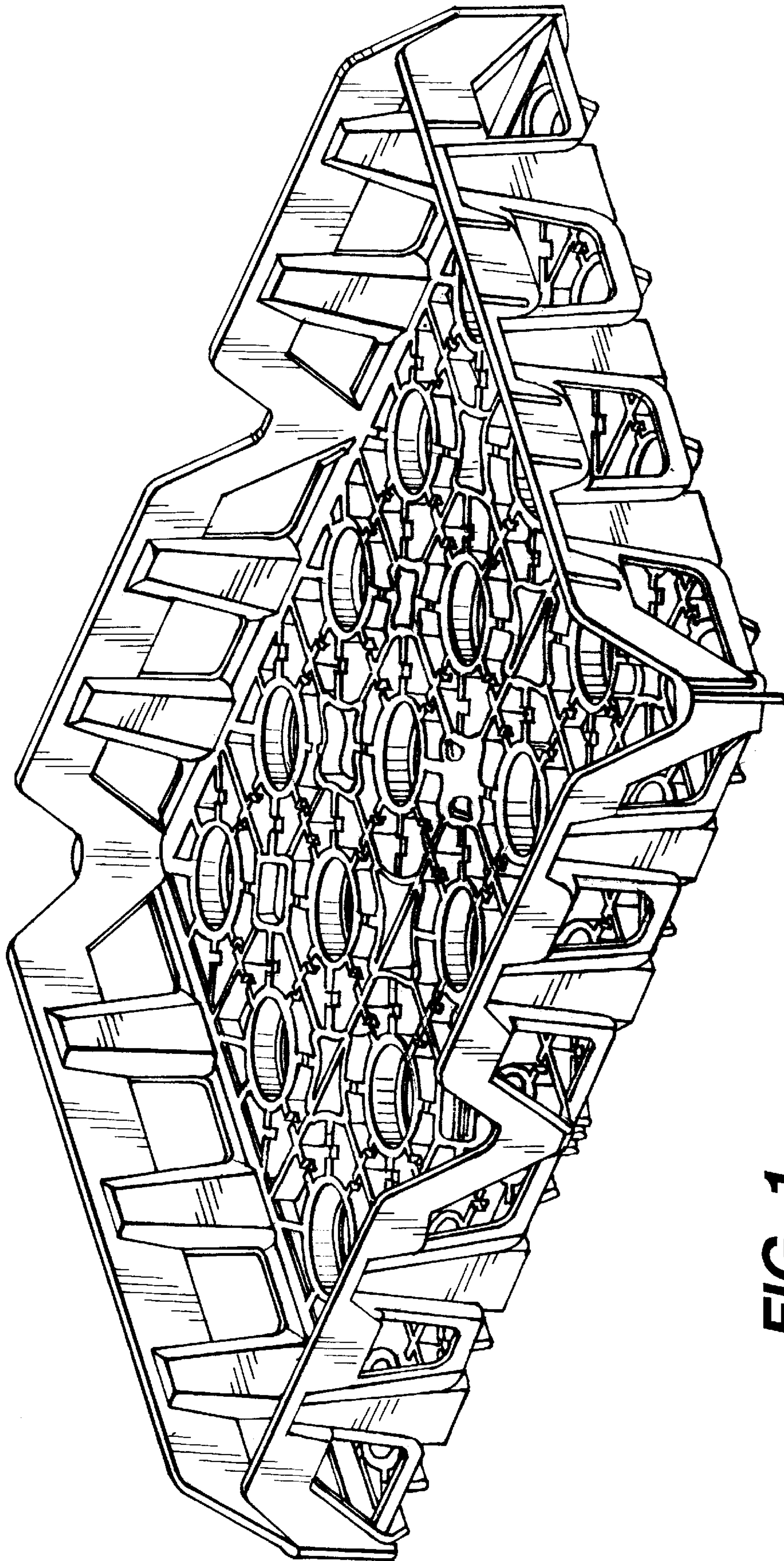


FIG. 1

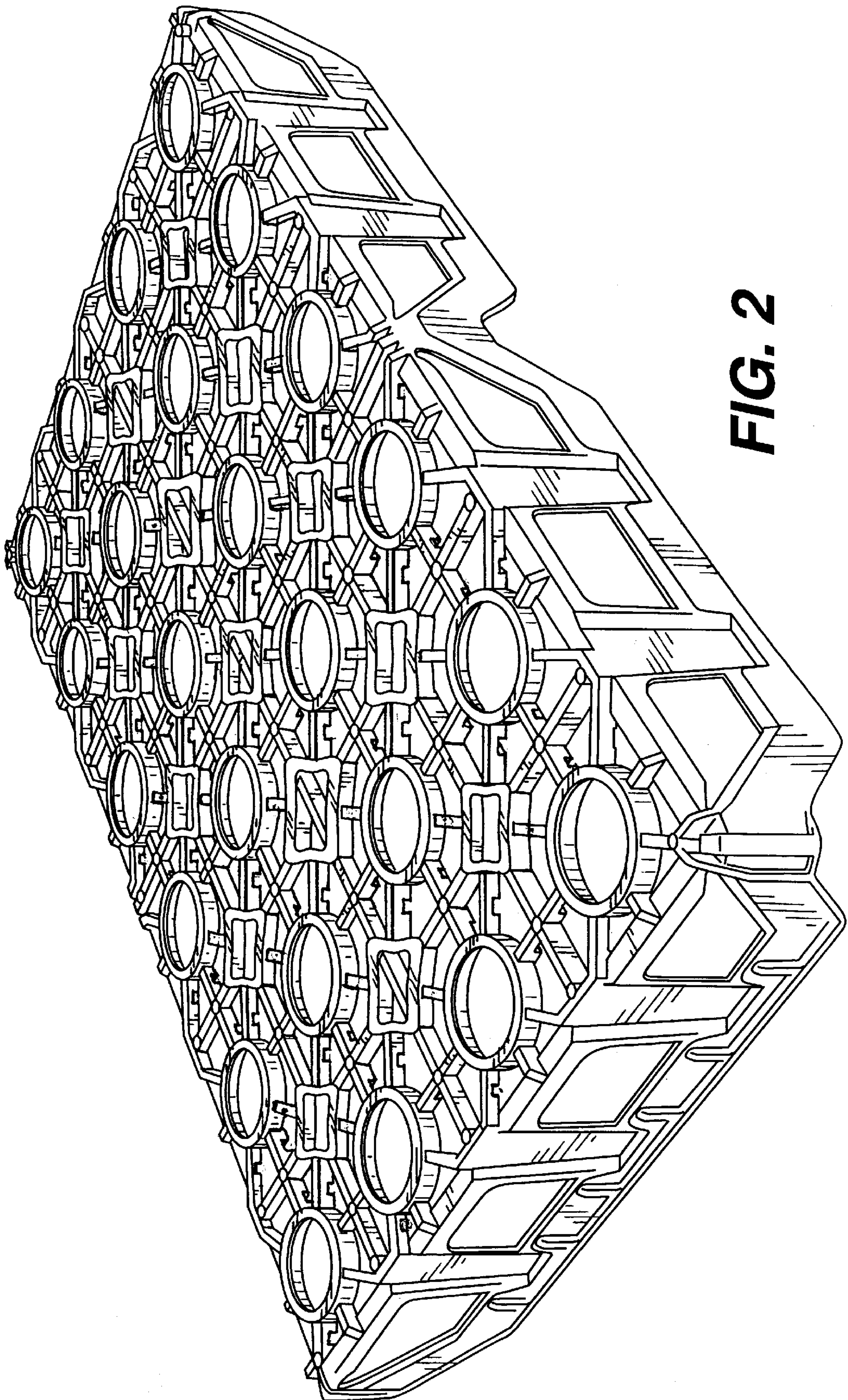


FIG. 2

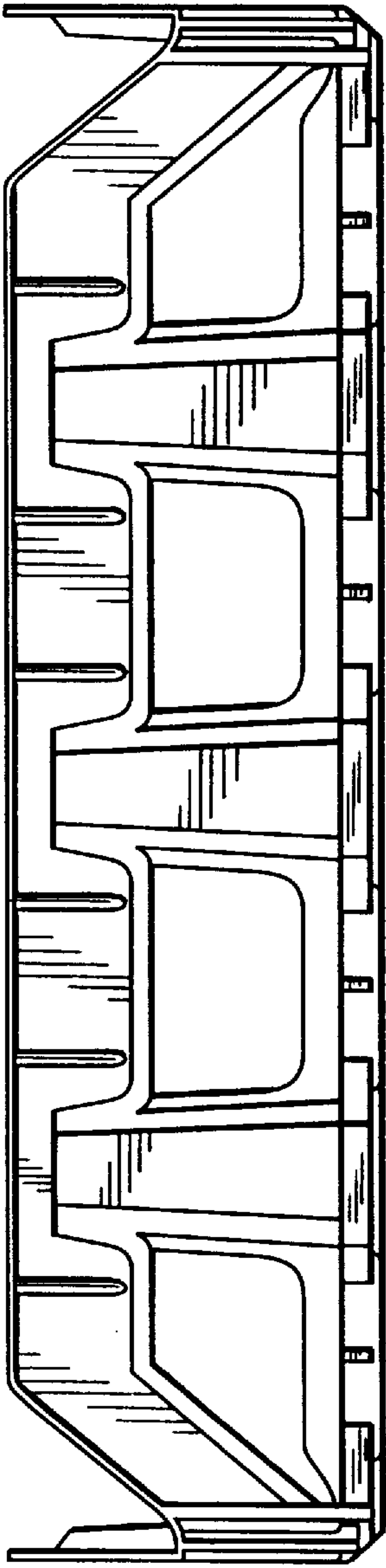


FIG. 3

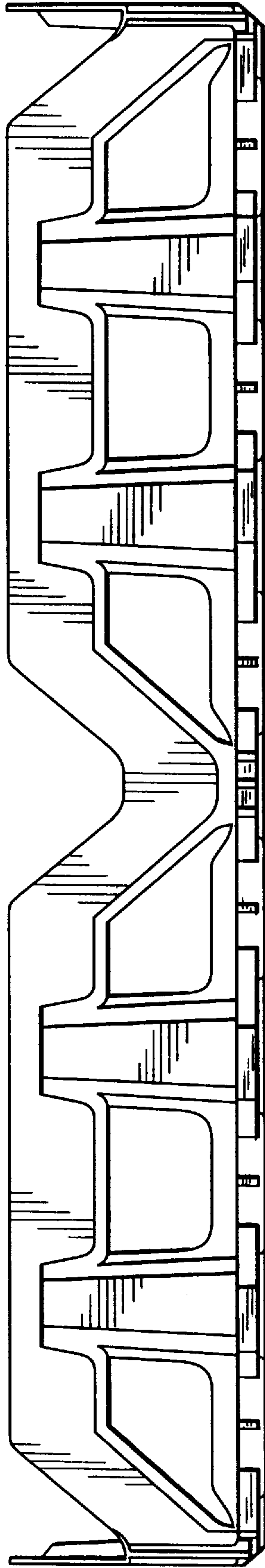


FIG. 4

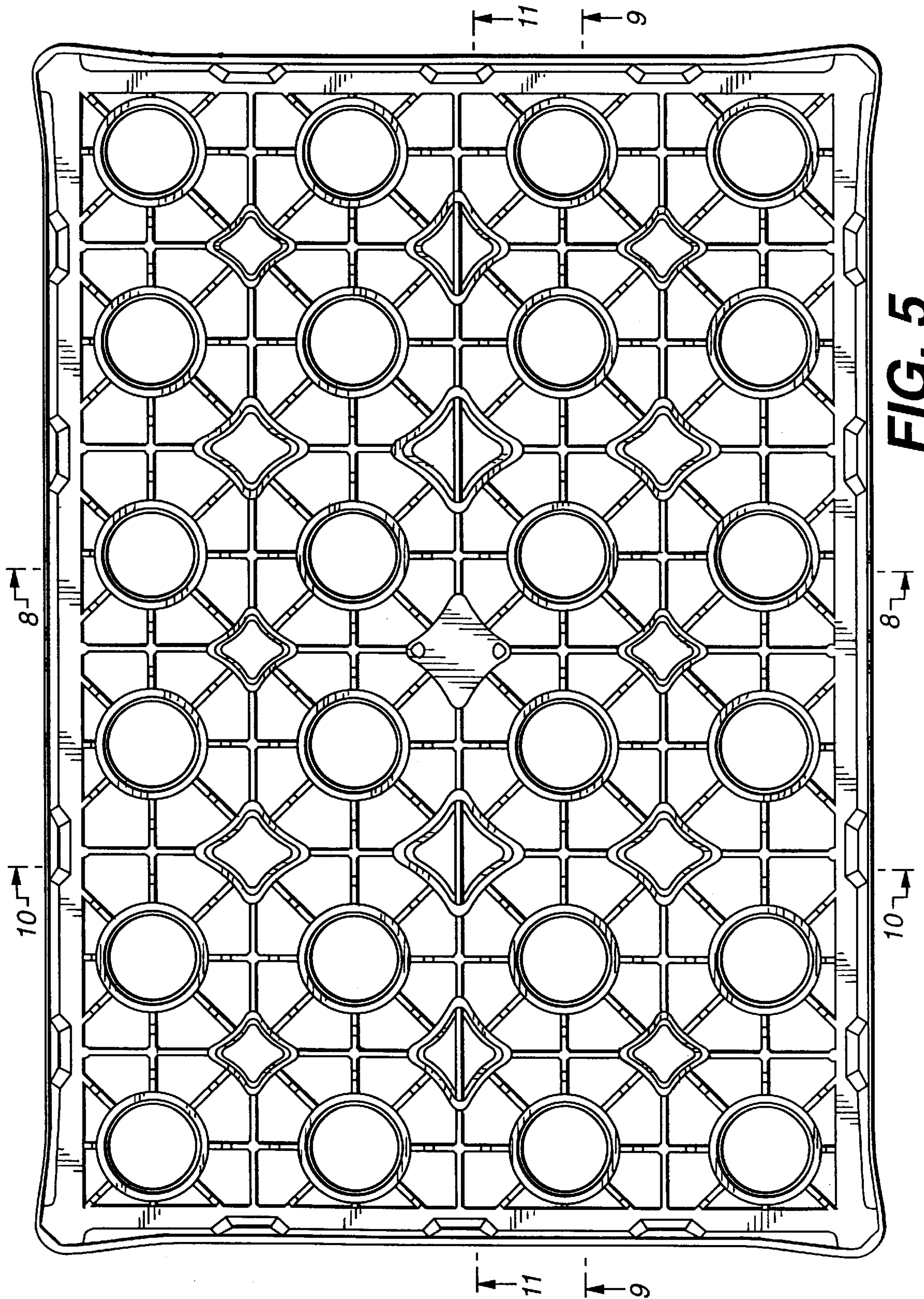


FIG. 5

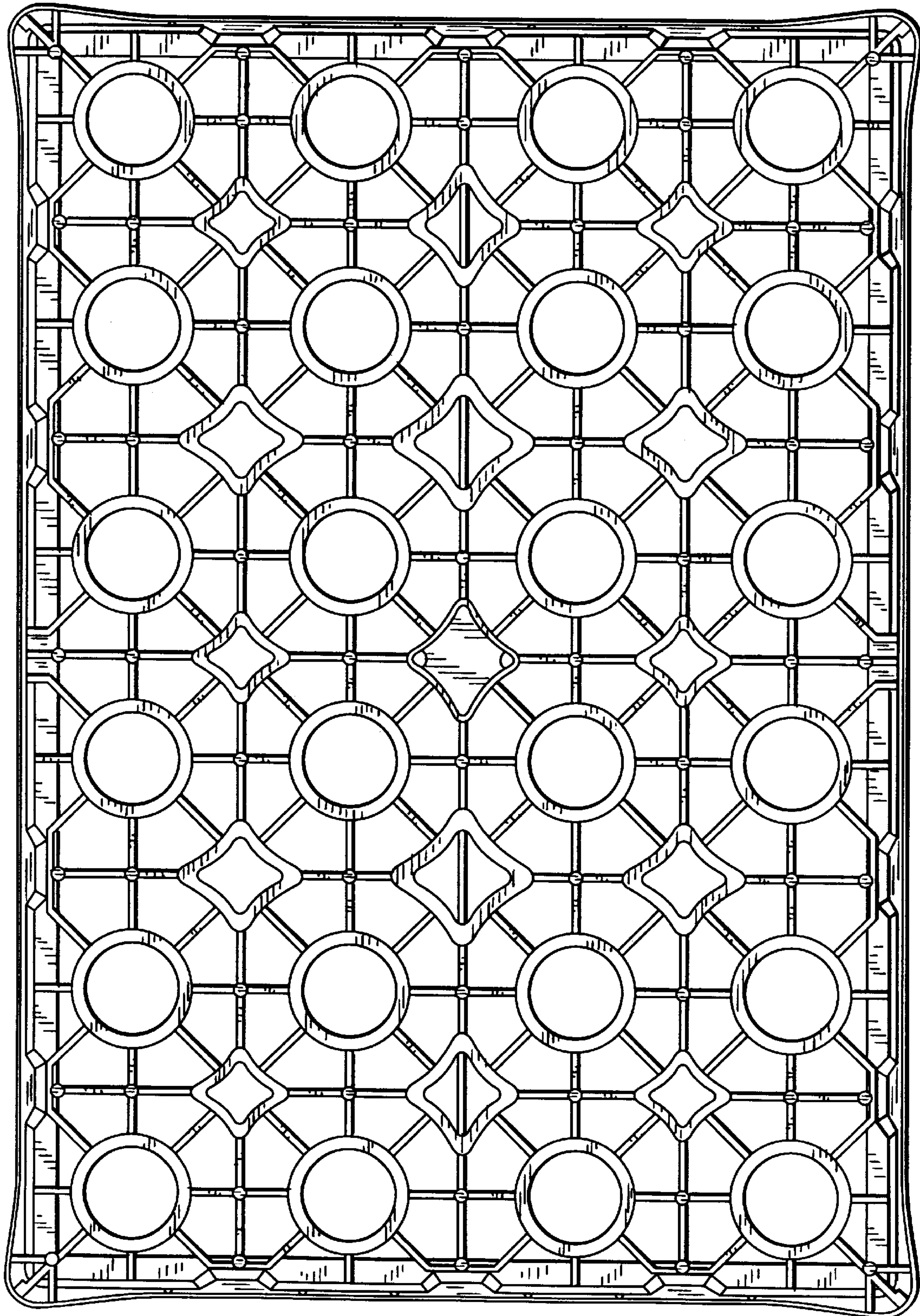


FIG. 6

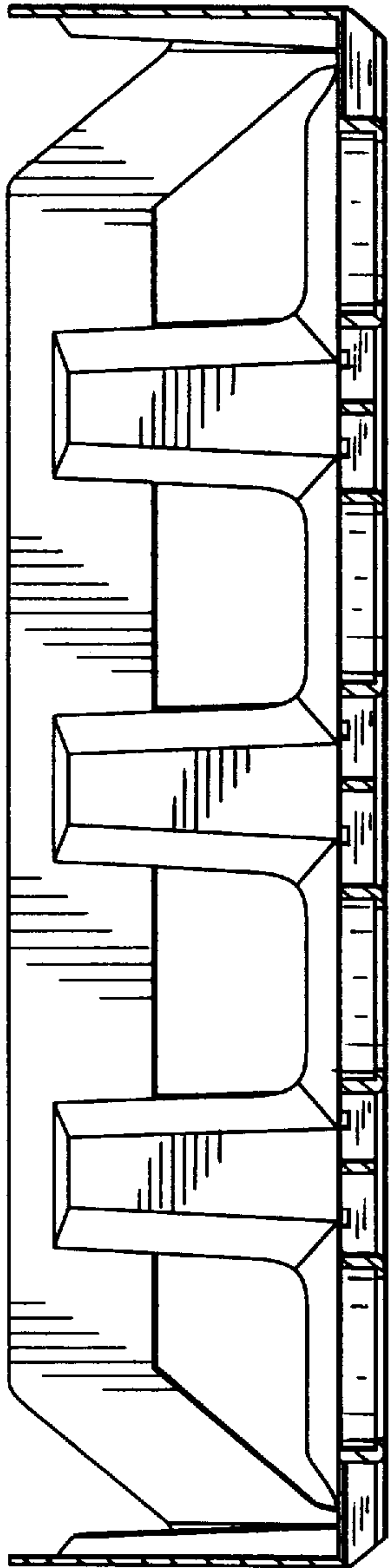


FIG. 7

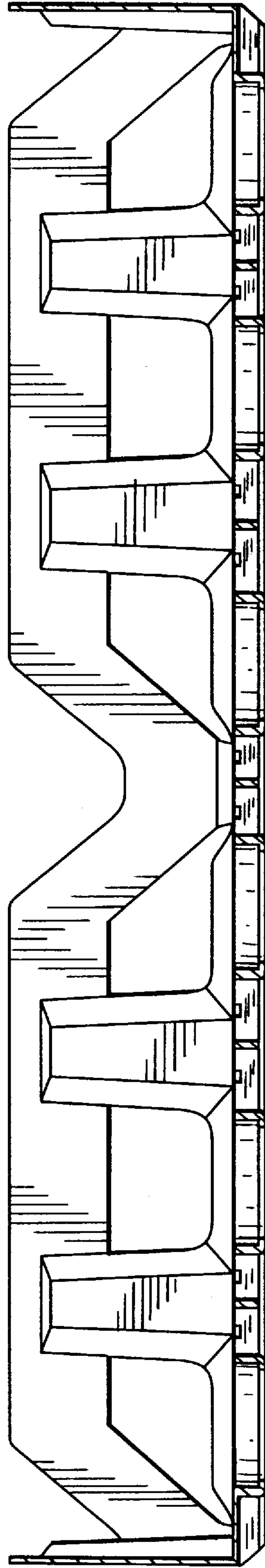


FIG. 8

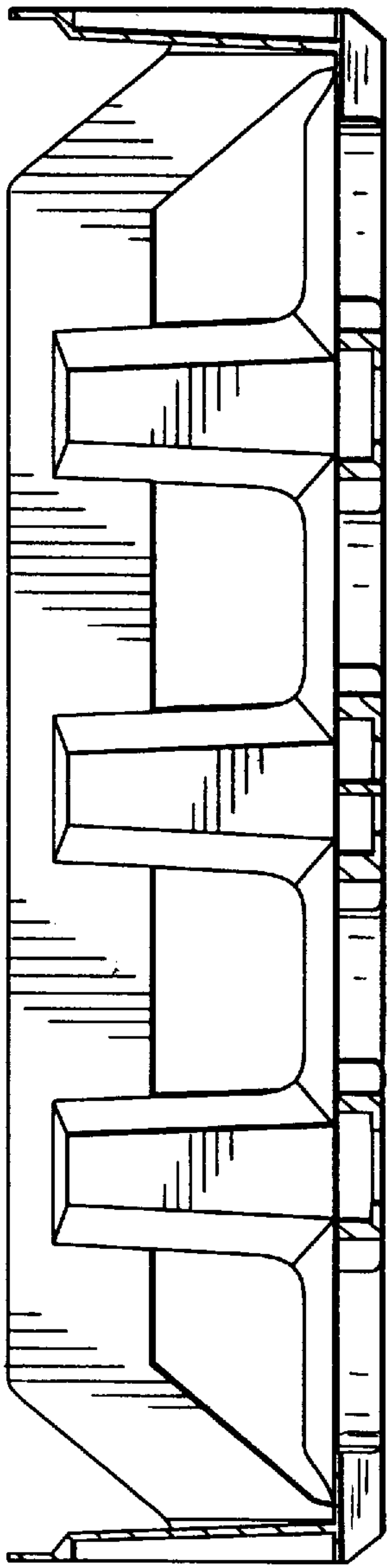


FIG. 9

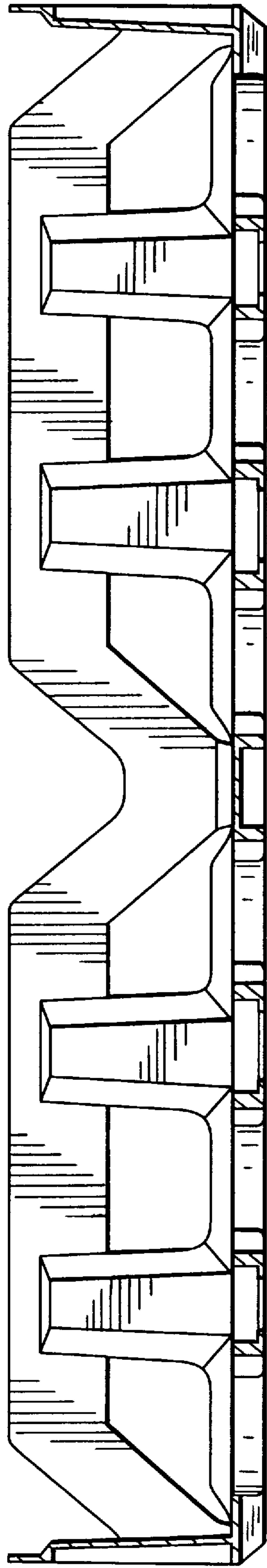


FIG. 10

UNITED STATES PATENT AND TRADEMARK OFFICE
CERTIFICATE OF CORRECTION

Page 1 of 2

PATENT NO. : Des. 404,204
DATED : January 19, 1999
INVENTOR(S) : William Patrick Apps

It is certified that error appears in the above-identified patent and that said Letters Patent is hereby corrected as shown below:

Drawings:

Delete Fig. 5, and substitute therefor the Fig. 5, as shown on the attached page.

Signed and Sealed this
Fifth Day of October, 1999

Attest:



Q. TODD DICKINSON

Attesting Officer

Acting Commissioner of Patents and Trademarks

UNITED STATES PATENT AND TRADEMARK OFFICE
CERTIFICATE OF CORRECTION

Page 2 of 2

PATENT NO : Des. 404,204
DATED : January 19,1999
INVENTOR(S): William Patrick Apps

It is certified that error appears in the above-identified patent and that said Letters Patent are hereby corrected as shown below:

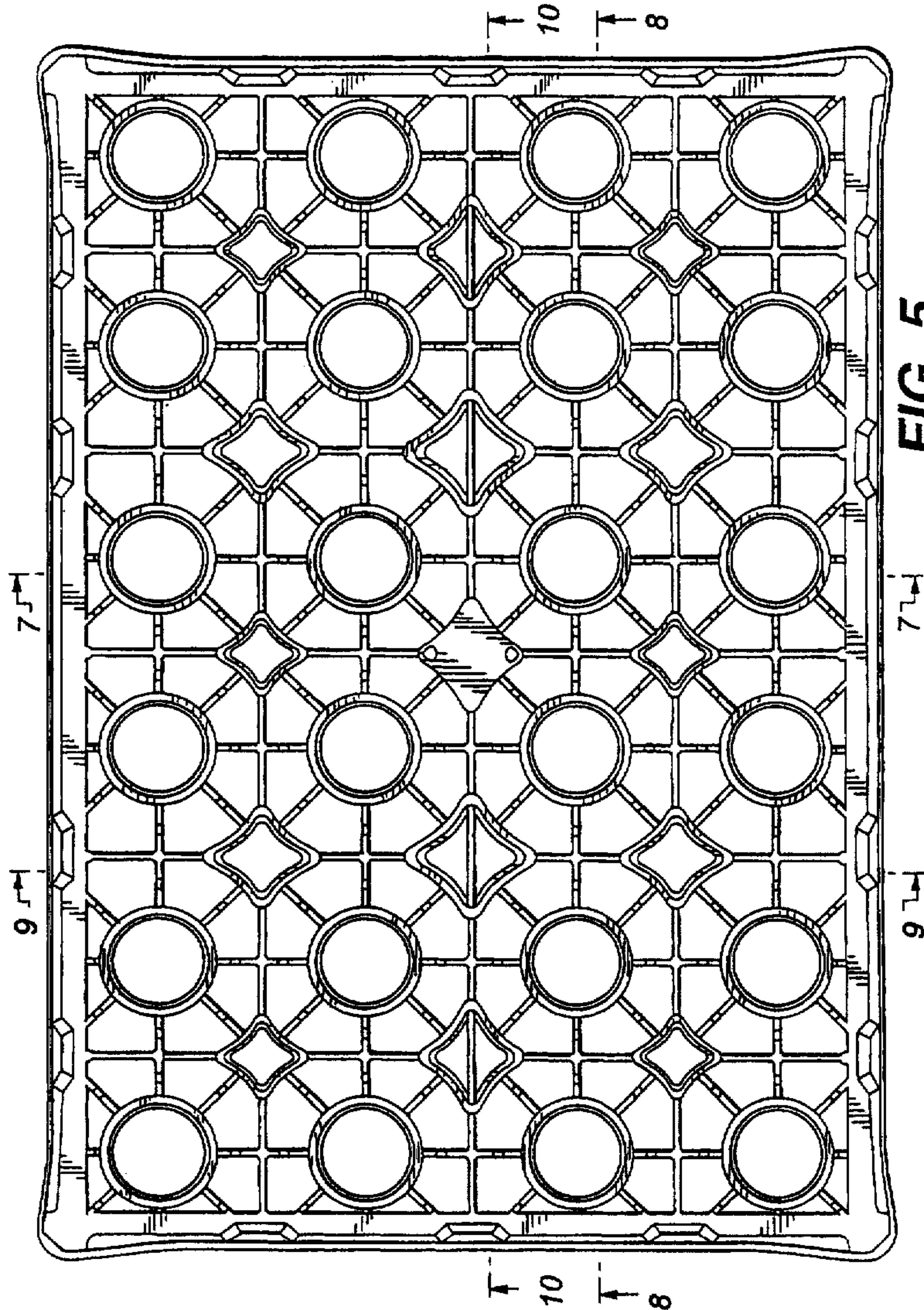


FIG. 5