

US00D404203S

United States Patent [19]
Maier-Aichen

[11] **Patent Number: Des. 404,203**
[45] **Date of Patent: **Jan. 19, 1999**

[54] **HANDLED BASKET**
[75] Inventor: **Hansjerg Maier-Aichen,**
Leinfeldern-Oberaichen, Germany
[73] Assignee: **Artipresent GmbH Vertrieb**
Internationaler Collectionen fur den
Wohnbereich, Holzgerlingen, Germany

D. 258,204	2/1981	Rudenschold	383/10
3,255,951	6/1966	Kay	383/10
4,759,639	7/1988	De Mattheis	383/10
4,989,993	2/1991	Barnard	383/10
5,036,978	8/1991	Frank et al.	383/66
5,044,699	9/1991	Duty	190/108
5,743,392	4/1998	Chapman	383/10

[**] Term: **14 Years**

Primary Examiner—Louis S. Zarfes
Assistant Examiner—Monica A. Weingart
Attorney, Agent, or Firm—Jones, Day, Reavis & Pogue

[21] Appl. No.: **78,063**

[57] **CLAIM**

[22] Filed: **Oct. 16, 1997**

The ornamental design for a handled basket, as shown and described.

[30] **Foreign Application Priority Data**

DESCRIPTION

Jun. 13, 1997 [XH] Hague Agreement DM/040470

[51] **LOC (6) Cl.** **03-01**
[52] **U.S. Cl.** **D3/303; D3/245; D3/246**
[58] **Field of Search** D3/201, 303, 245,
D3/246; 150/100, 105, 106, 107, 112, 118;
190/108, 901, 902; 206/351; 383/10, 40,
66; D9/305

FIG. 1 is a perspective view of a handled basket showing my new design;
FIG. 2 is a side plan view of a handled basket of FIG. 1, the opposite side being identical;
FIG. 3 is an end plan view of a handled basket of FIG. 1, the opposite end being identical;
FIG. 4 is a top plan view of a handled basket of FIG. 1; and,
FIG. 5 is a bottom plan view of a handled basket of FIG. 1.

[56] **References Cited**

U.S. PATENT DOCUMENTS

D. 213,746 4/1969 D'Elia et al. D3/303

1 Claim, 2 Drawing Sheets

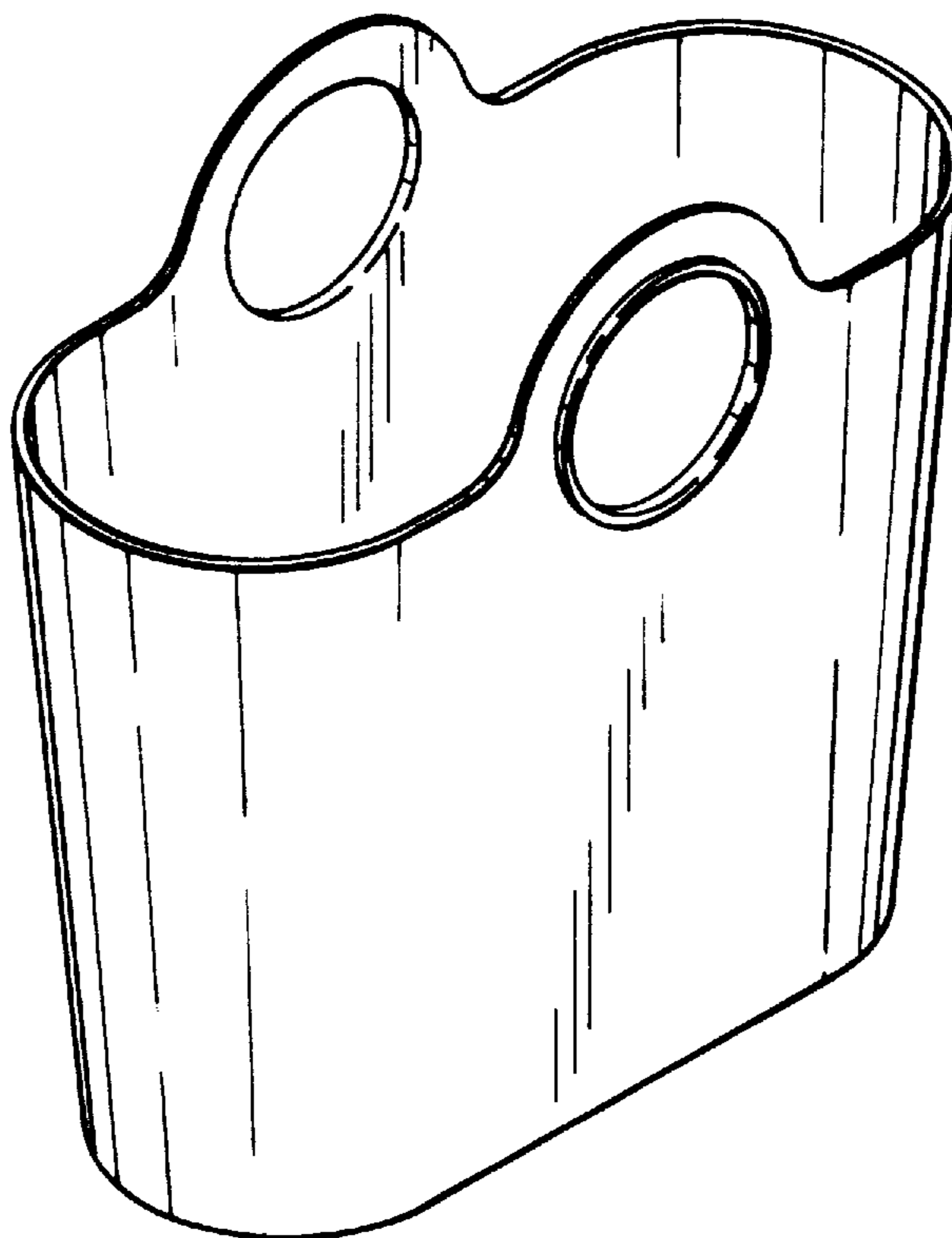


Fig. 1

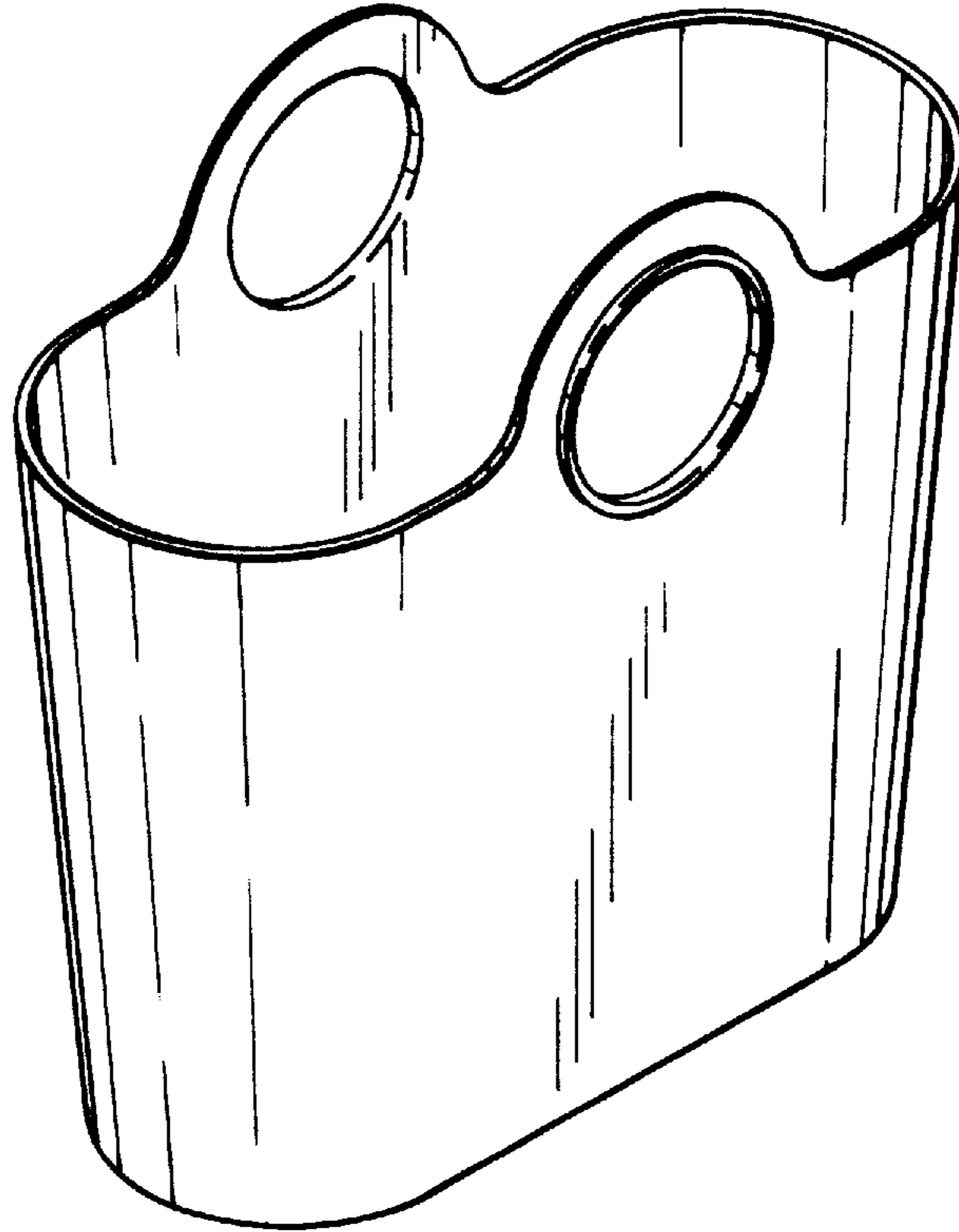


Fig. 2

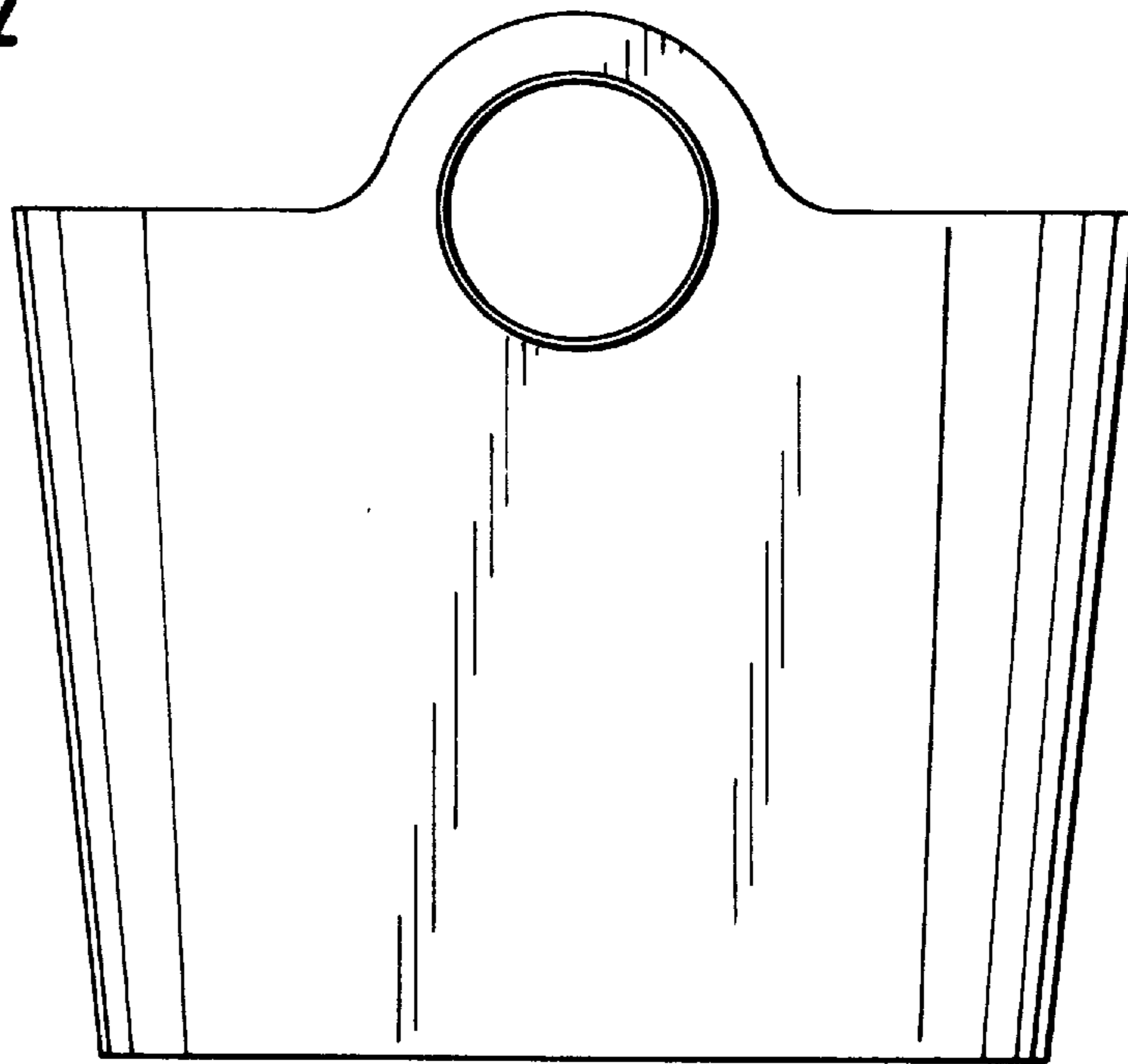


Fig. 3

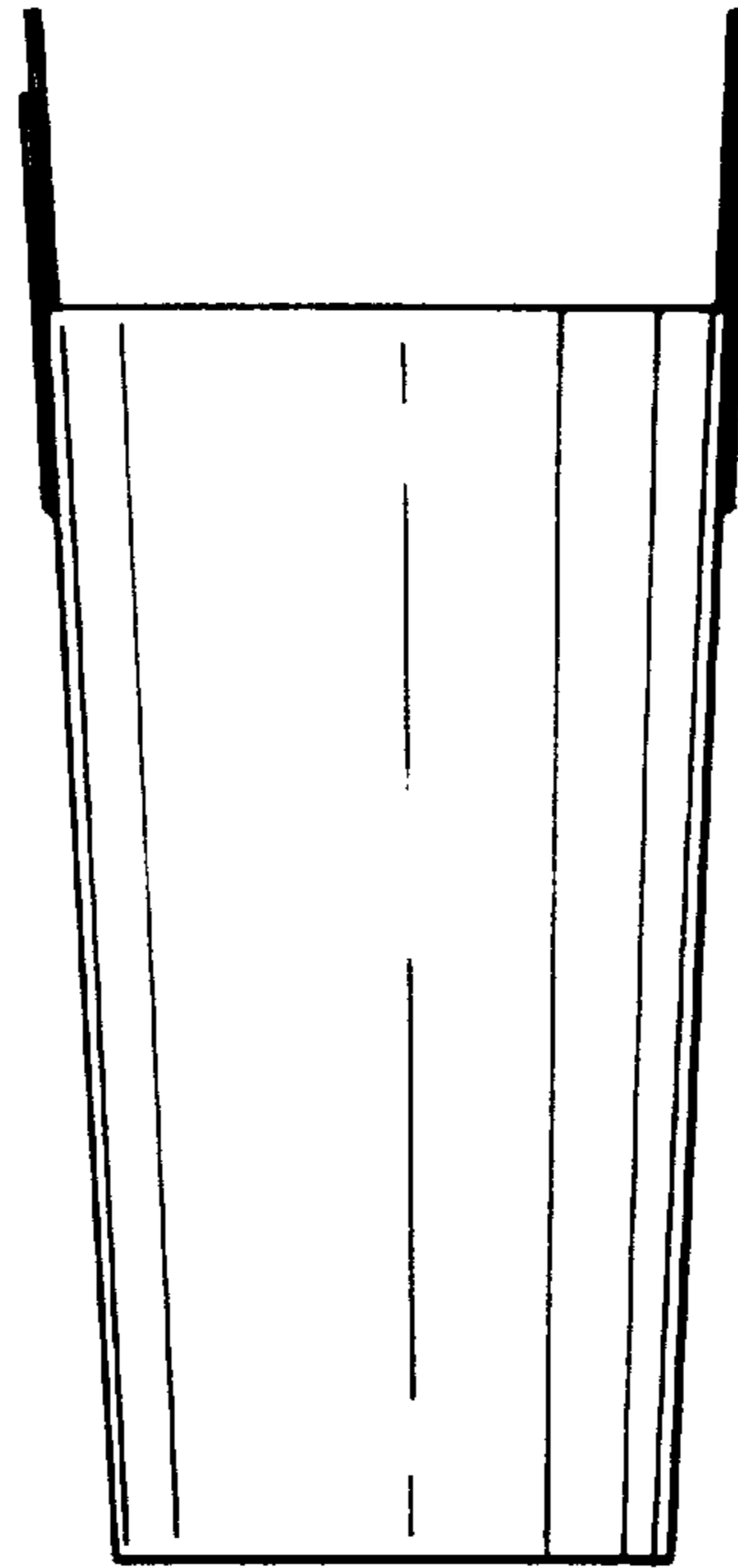


Fig. 4

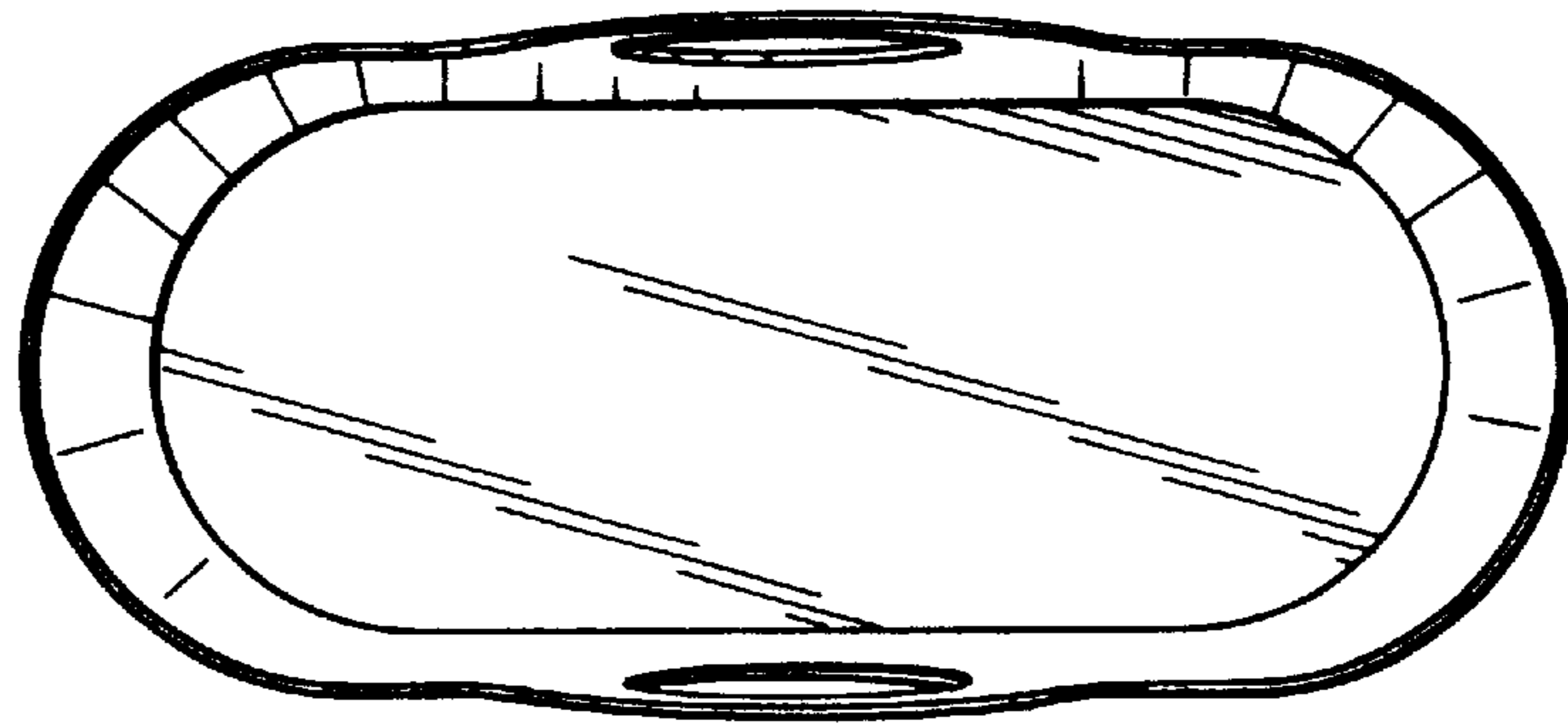


Fig. 5

