



US00D404201S

United States Patent [19]
Wennerstrom

[11] **Patent Number: Des. 404,201**
[45] **Date of Patent: **Jan. 19, 1999**

[54] **SACHET CASE**

[75] **Inventor: Joel W. Wennerstrom, Akron, Ohio**

[73] **Assignee: Weatherchem Corporation, Twinsburg, Ohio**

[**] **Term: 14 Years**

[21] **Appl. No.: 82,720**

[22] **Filed: Jan. 28, 1998**

[51] **LOC (6) Cl. 03-01**

[52] **U.S. Cl. D3/294; D9/423**

[58] **Field of Search D3/273, 294, 295**

[56] **References Cited**

U.S. PATENT DOCUMENTS

D. 199,246	9/1964	Giordano	D31/4
D. 239,578	4/1976	Woodward	D3/294
D. 249,744	9/1978	Lyman	D3/294
D. 267,836	2/1983	Benichou	D3/294
D. 296,938	7/1988	Amerigen	D9/423
D. 298,515	11/1988	Pennell	D9/423
D. 364,344	11/1995	Shaw	D9/423
3,327,887	6/1967	Chalmers	220/31
3,327,888	6/1967	Chalmers et al.	220/31
3,381,850	5/1968	Haugen	220/31
3,954,179	5/1976	Warmath	206/528
4,678,080	7/1987	Nelson	206/387

4,730,731	3/1988	Allison	206/540
4,733,794	3/1988	Kent	220/306
4,733,796	3/1988	Halverstadt et al.	220/339
4,779,756	10/1988	Buelens et al.	220/307
5,042,658	8/1991	Tiramani et al.	206/349
5,139,165	8/1992	Hara	220/339
5,139,168	8/1992	Gueret	222/92
5,405,007	4/1995	Iwahashi	206/387.1
5,620,107	4/1997	Takeuchi	215/235
5,630,508	5/1997	Petit	206/387.1
5,667,094	9/1997	Rapchak et al.	220/339

Primary Examiner—Philip S. Hyder
Attorney, Agent, or Firm—Pearne, Gordon, McCoy & Granger LLP

[57] **CLAIM**

The ornamental design for a satchet case, as shown and described.

DESCRIPTION

FIG. 1 is a top, front perspective view of a satchet case;
FIG. 2 is a front elevational view;
FIG. 3 is a side elevational view, the opposite side being a mirror image thereof;
FIG. 4 is a top plan view;
FIG. 5 is a bottom plan view; and,
FIG. 6 is a top front perspective view in an open position.

1 Claim, 2 Drawing Sheets

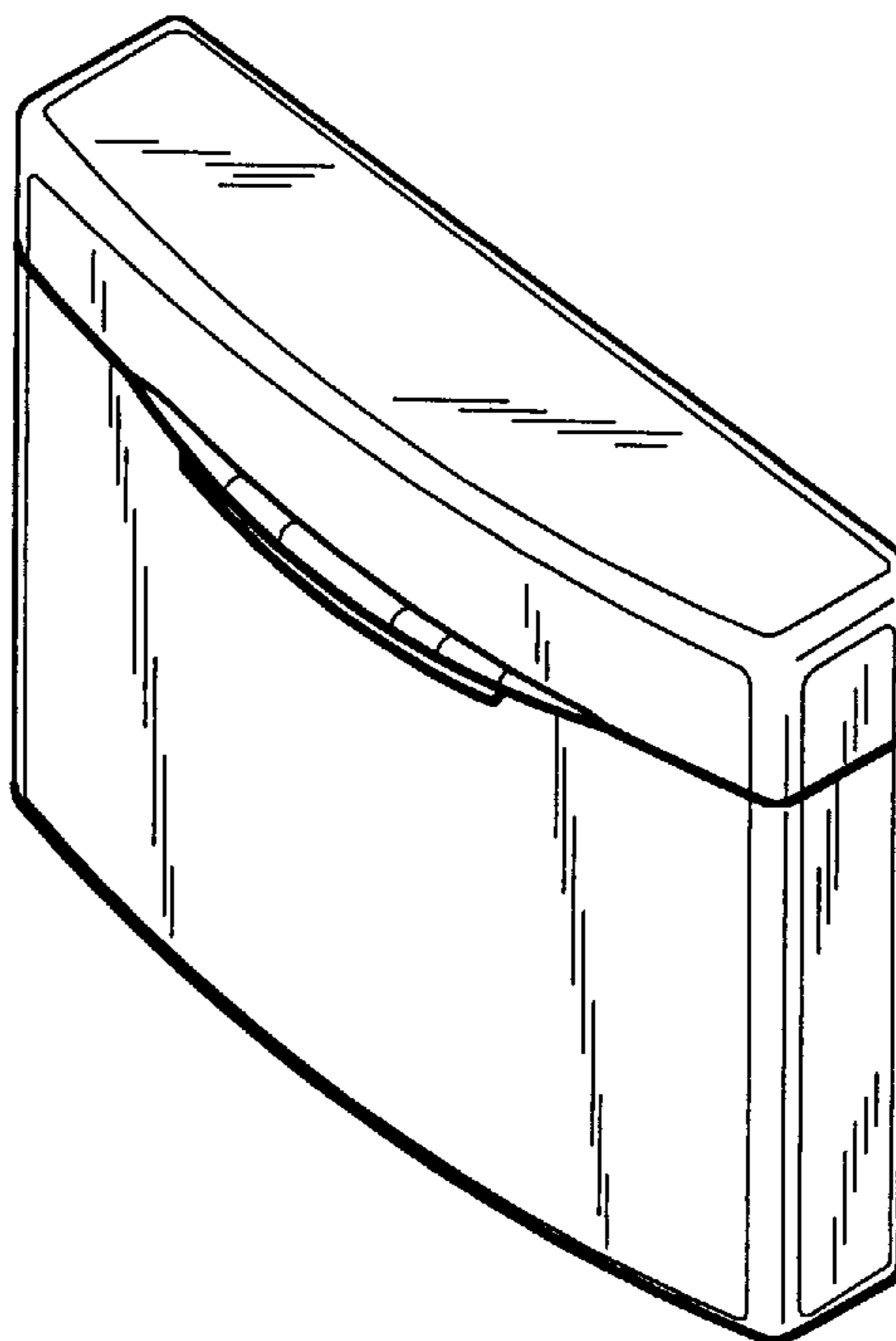


Fig.1

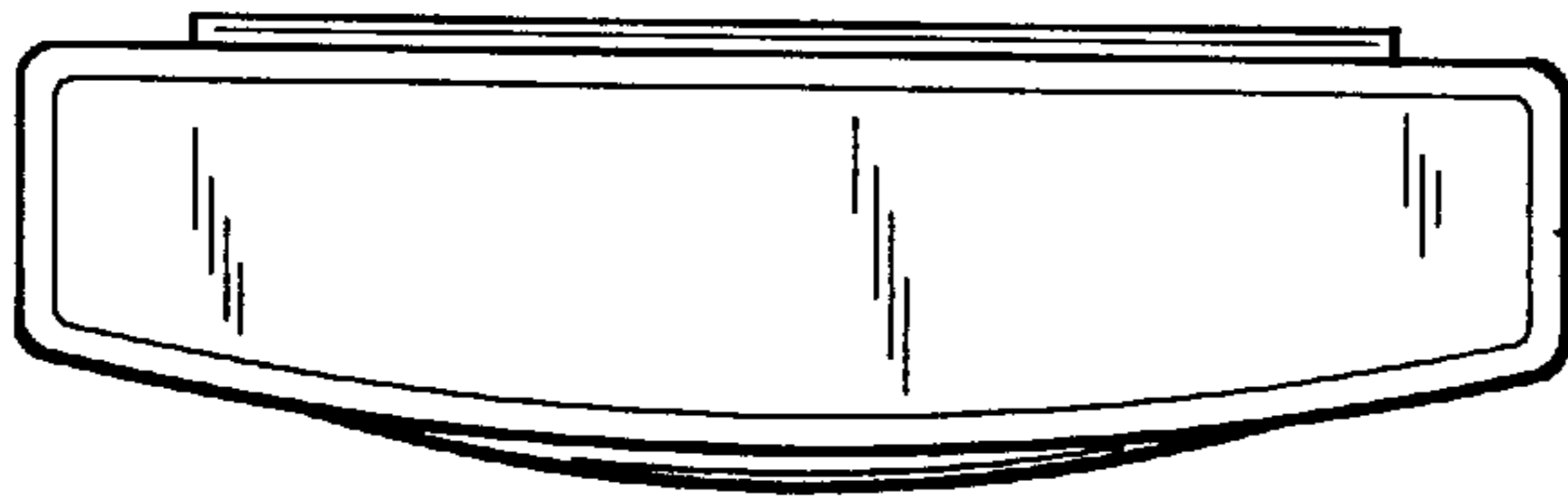
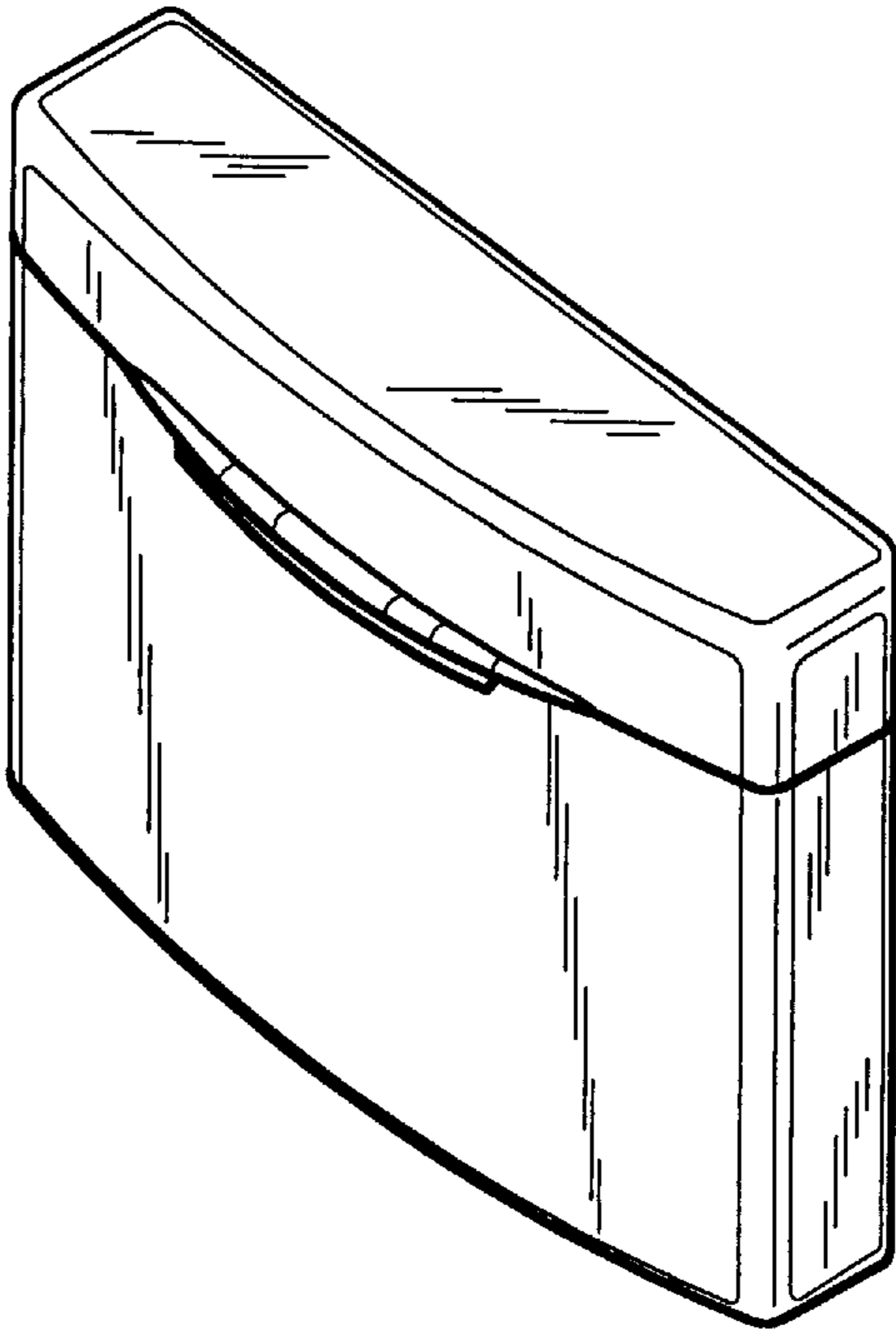


Fig.4

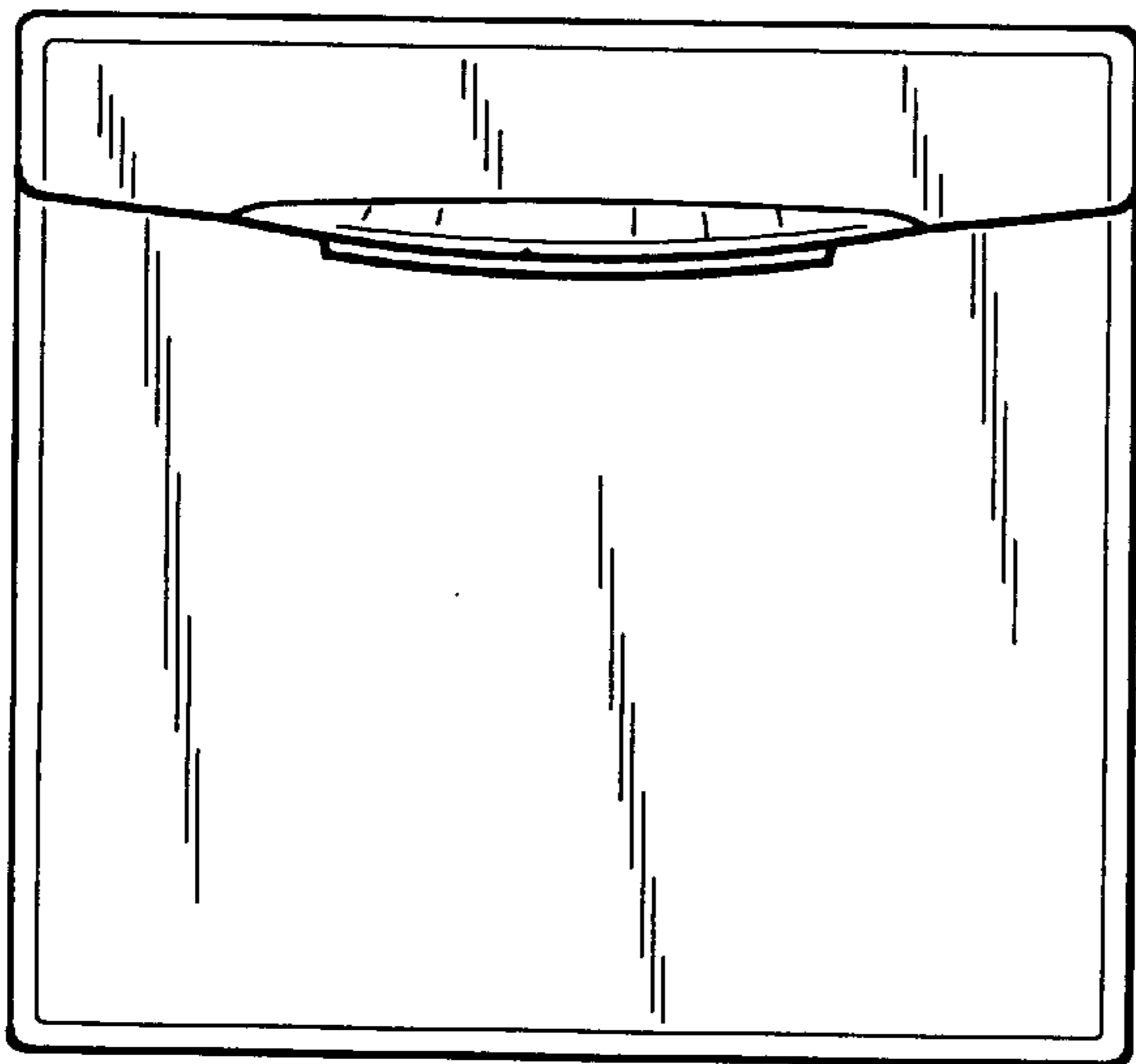


Fig.2

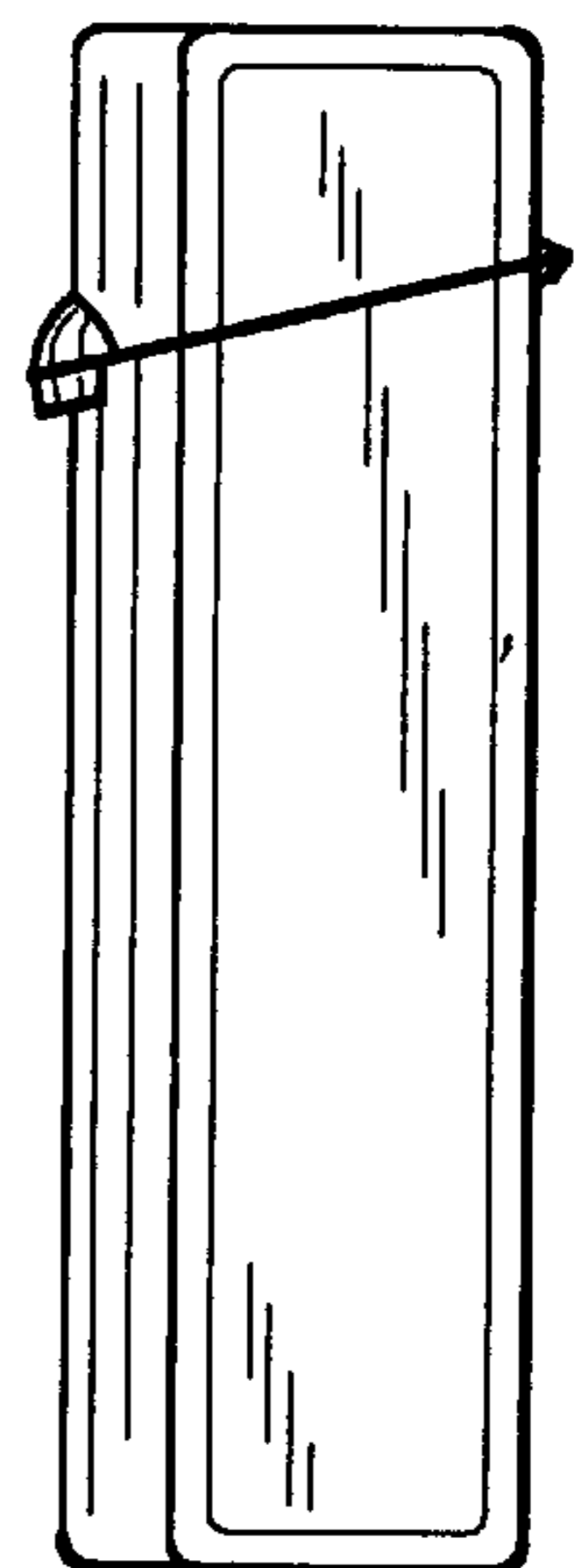


Fig.3

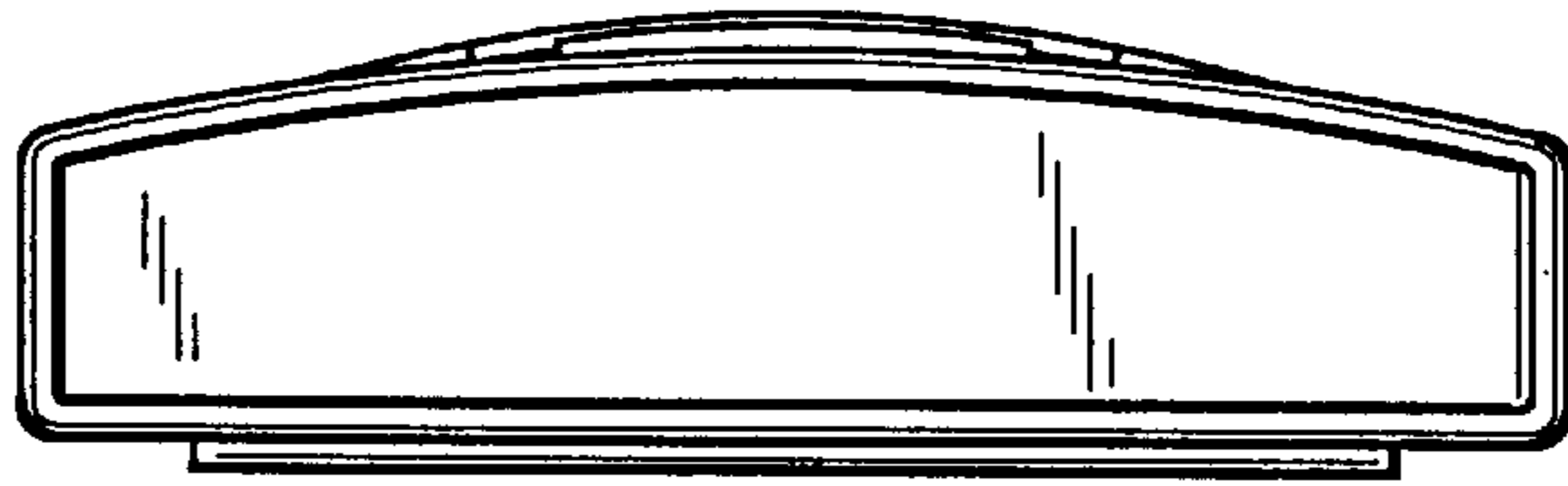


Fig.5

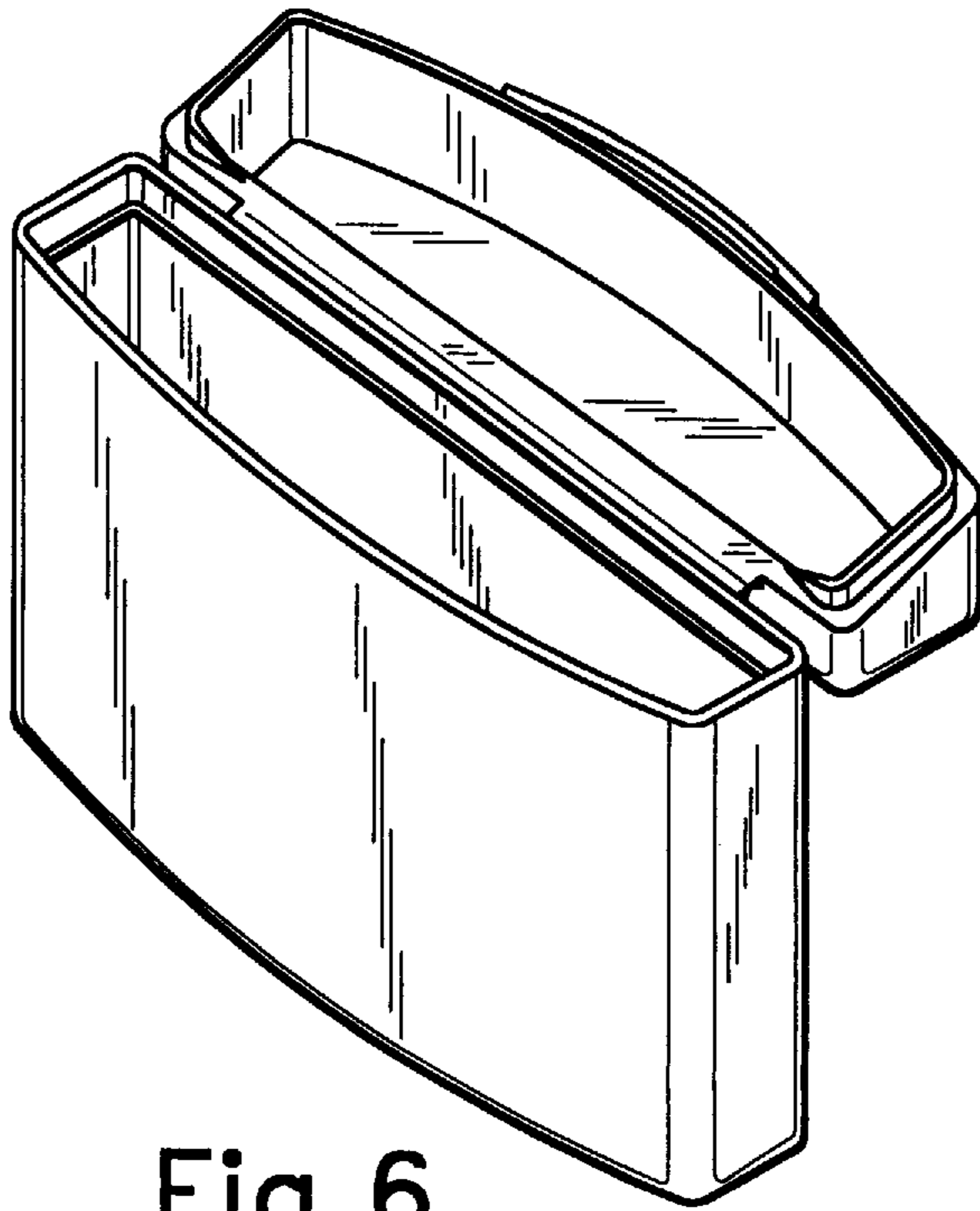


Fig.6