



US00D404183S

**United States Patent** [19]  
**Benoit**

[11] **Patent Number: Des. 404,183**

[45] **Date of Patent: \*\*Jan. 12, 1999**

[54] **ENGINE LIFTING PLATE**

[76] **Inventor: Yvon J Benoit, 3571 Oxford Street,  
Port Coquitlam, BC, Canada, V3B 4E5**

[\*\*] **Term: 14 Years**

[21] **Appl. No.: 78,155**

[22] **Filed: Oct. 22, 1997**

[51] **LOC (6) Cl. .... 12-05**

[52] **U.S. Cl. .... D34/28**

[58] **Field of Search ..... D34/28, 31, 35,  
D34/38; 294/1.1, 15, 137, 67.1; 254/88,  
93 H; 108/51.11**

[56] **References Cited**

**U.S. PATENT DOCUMENTS**

D. 273,907	5/1984	Schroeder	.....	D34/38
D. 347,097	5/1994	Hude et al.	.....	D34/28
3,052,894	9/1962	Bigger	.....	294/1.1
3,207,547	9/1965	Trotter et al.	.....	294/1.1

*Primary Examiner*—Joel Sincavage  
*Assistant Examiner*—Robin V. Taylor

[57] **CLAIM**

The ornamental design for a engine lifting plate, as shown.

**DESCRIPTION**

FIG. 1 is a top plan view of the engine lifting plate of the present invention;

FIG. 2 is a bottom plan view of the engine lifting plate of FIG. 1;

FIG. 3 is a left side plan view of the engine lifting plate of FIG. 1;

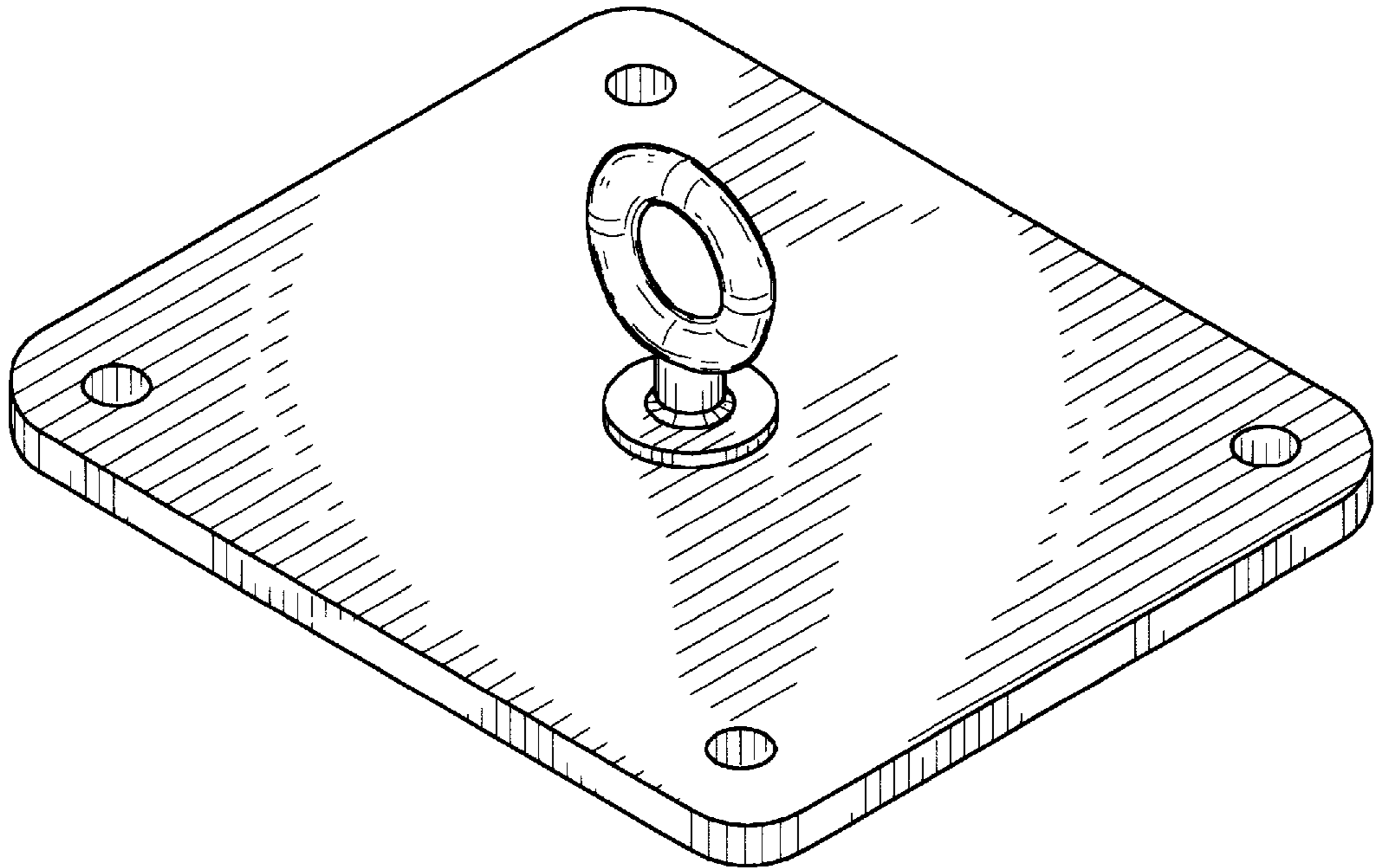
FIG. 4 is a right side plan view of the engine lifting plate of FIG. 1;

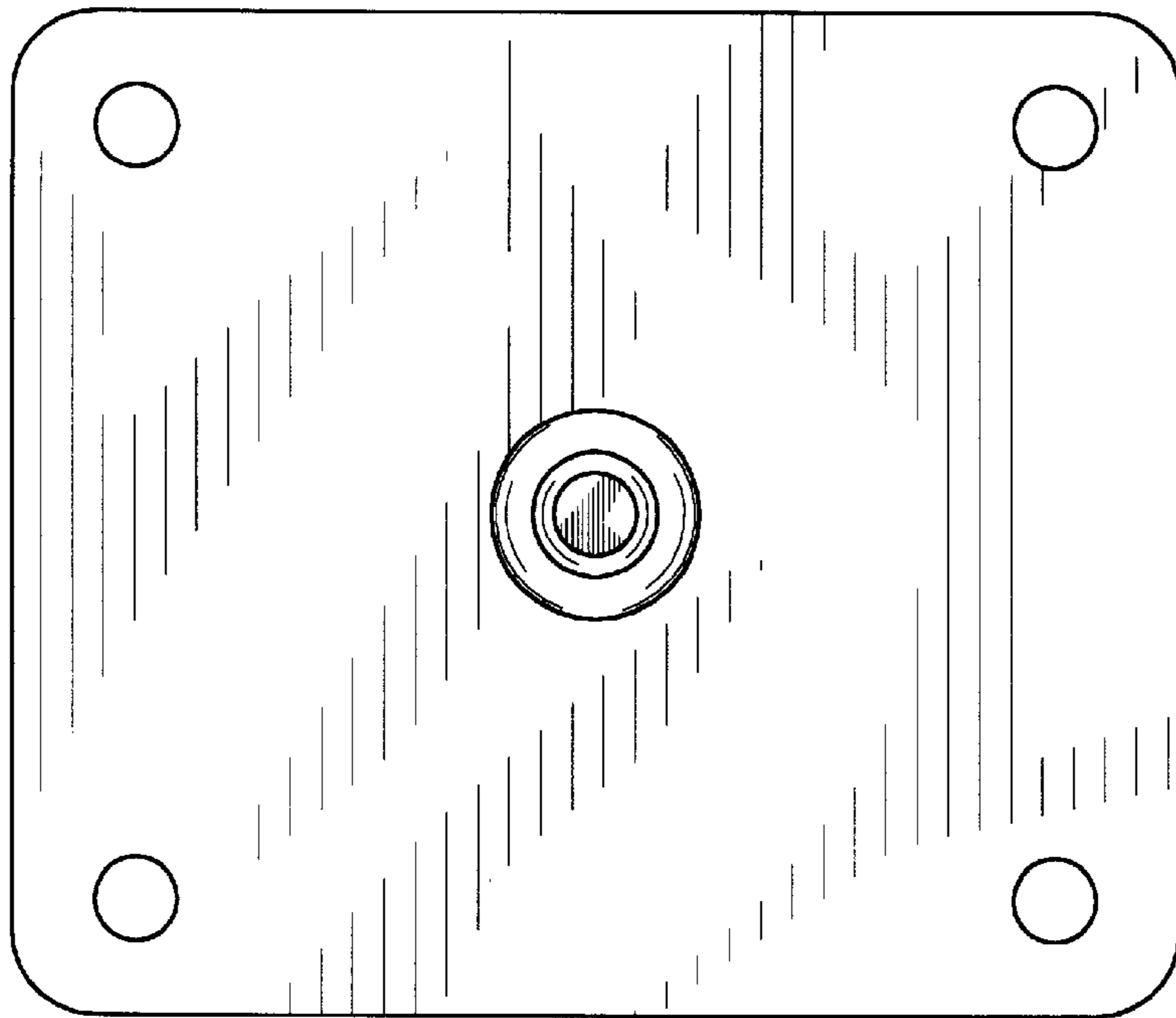
FIG. 5 is a front plan view of the engine lifting plate of FIG. 1;

FIG. 6 is a back plan view of the engine lifting plate of FIG. 1; and,

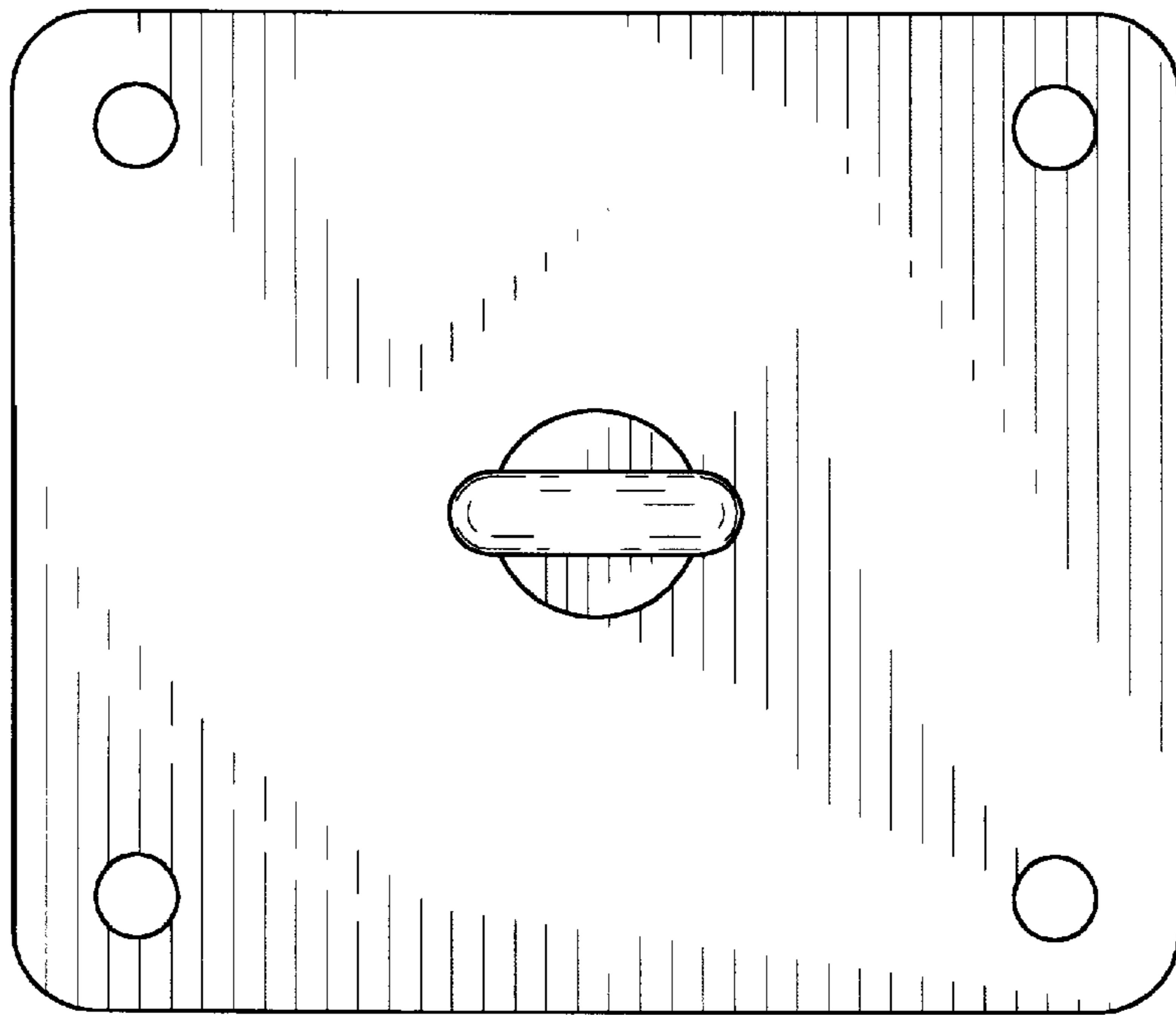
FIG. 7 is a top, front, right side perspective view of the engine lifting plate of FIG. 1.

**1 Claim, 4 Drawing Sheets**

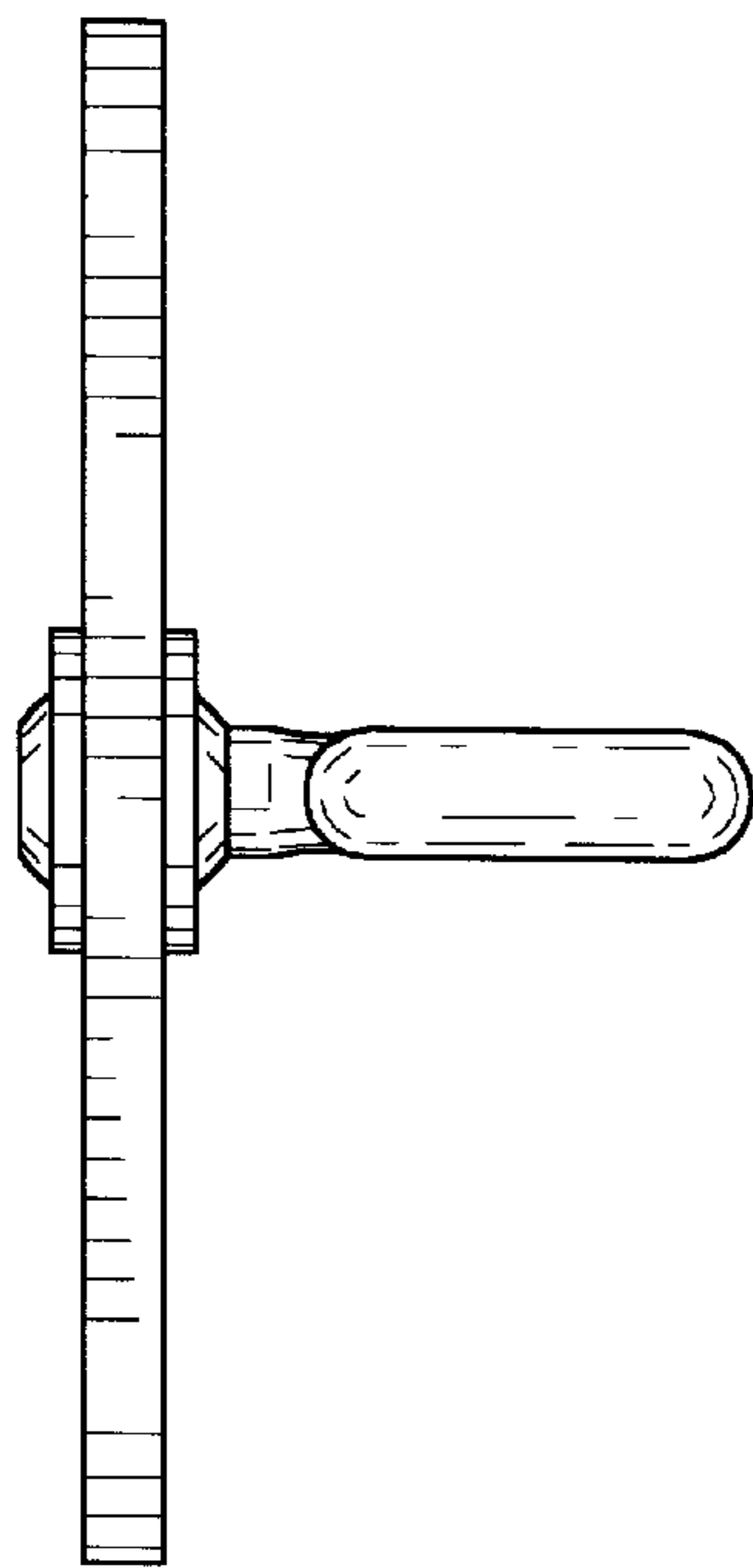




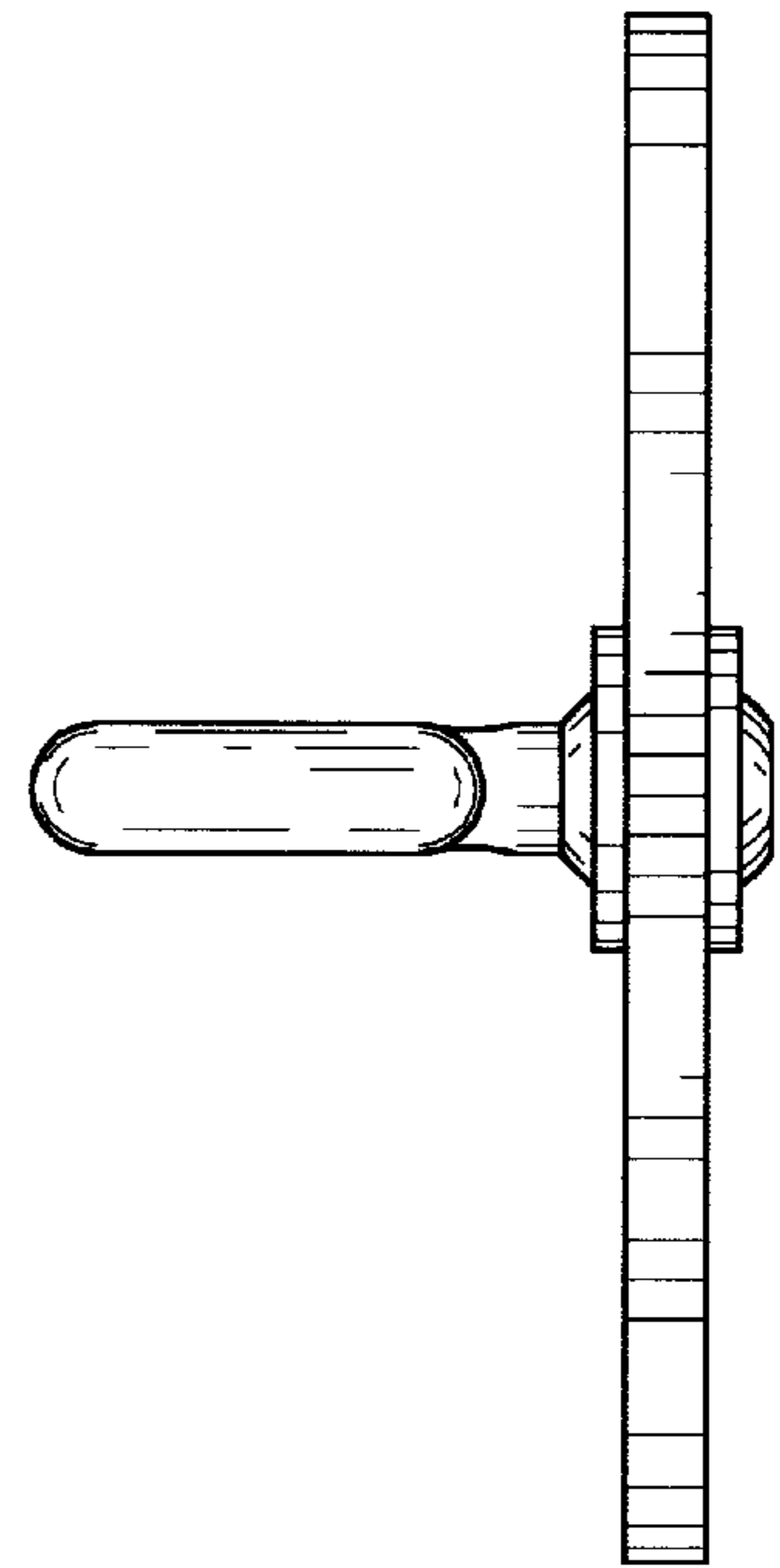
*Fig. 2*



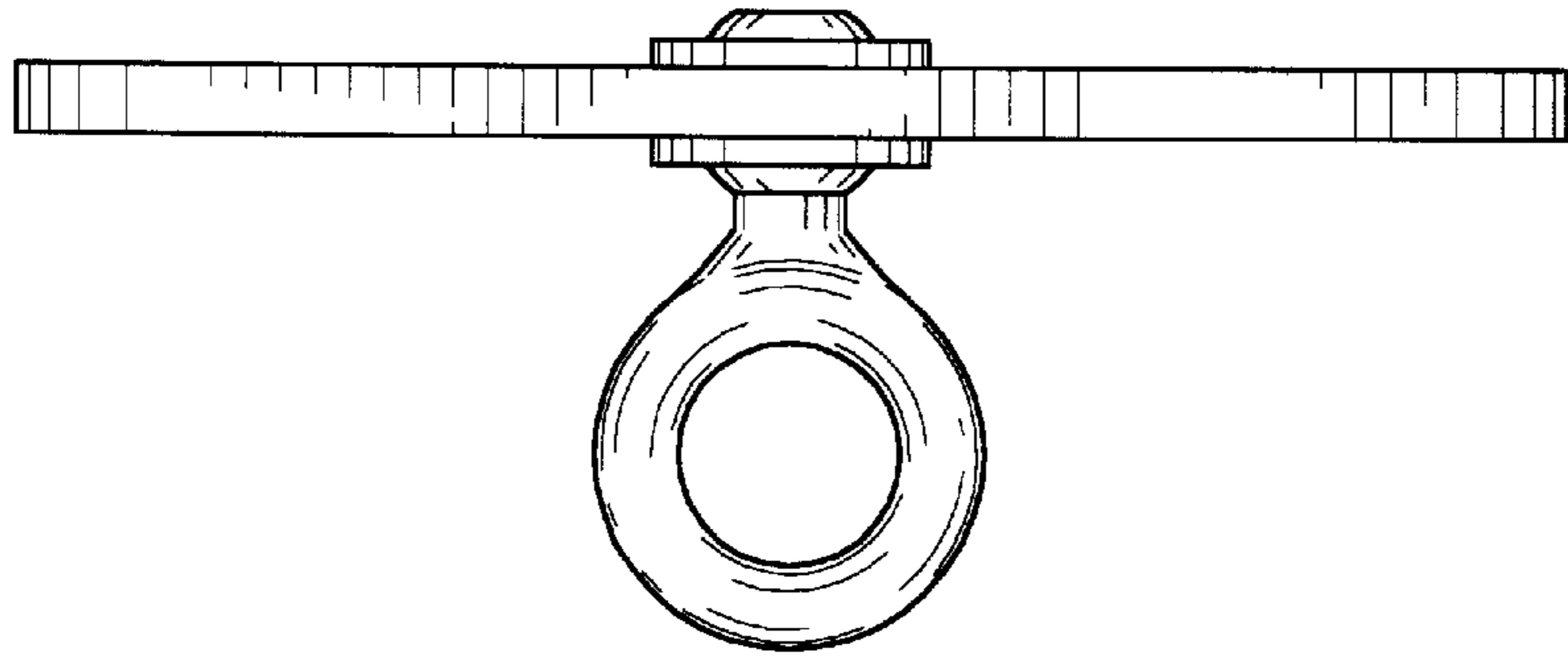
*Fig. 1*



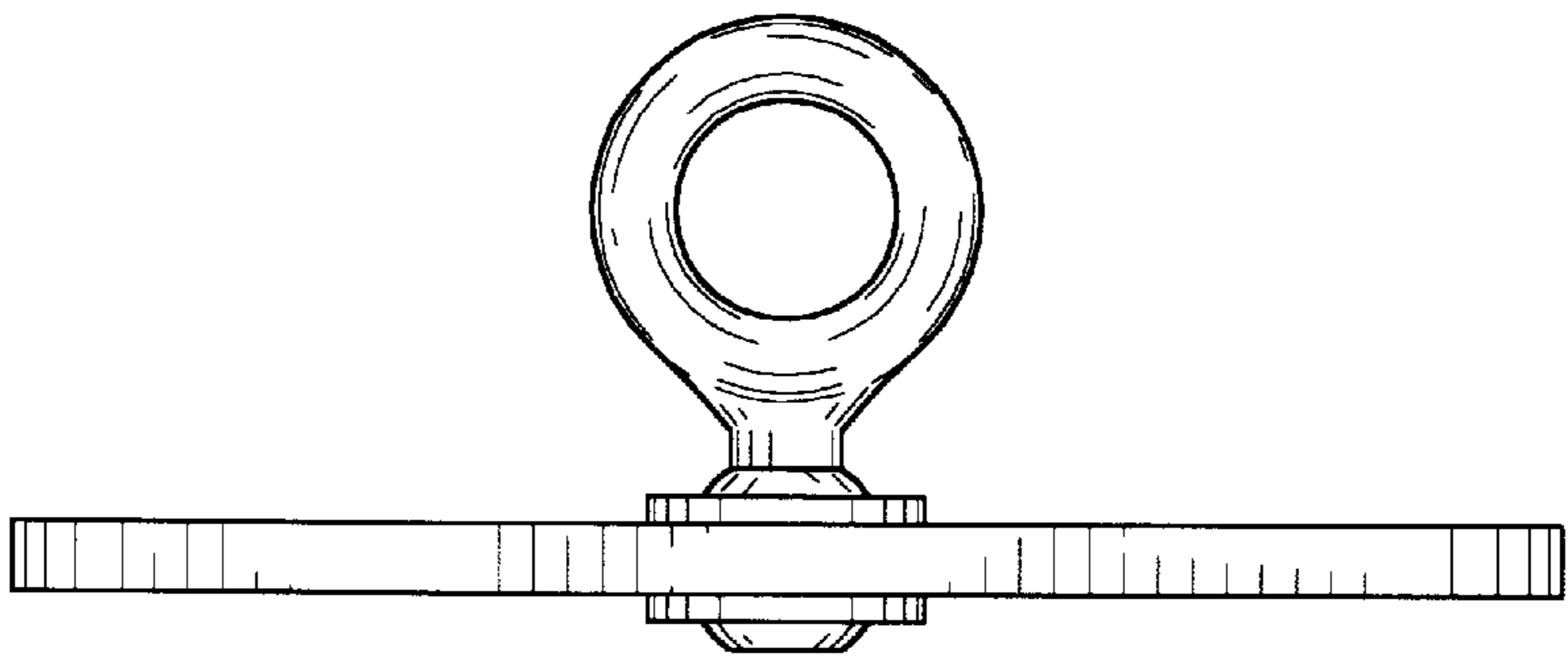
*Fig. 3*



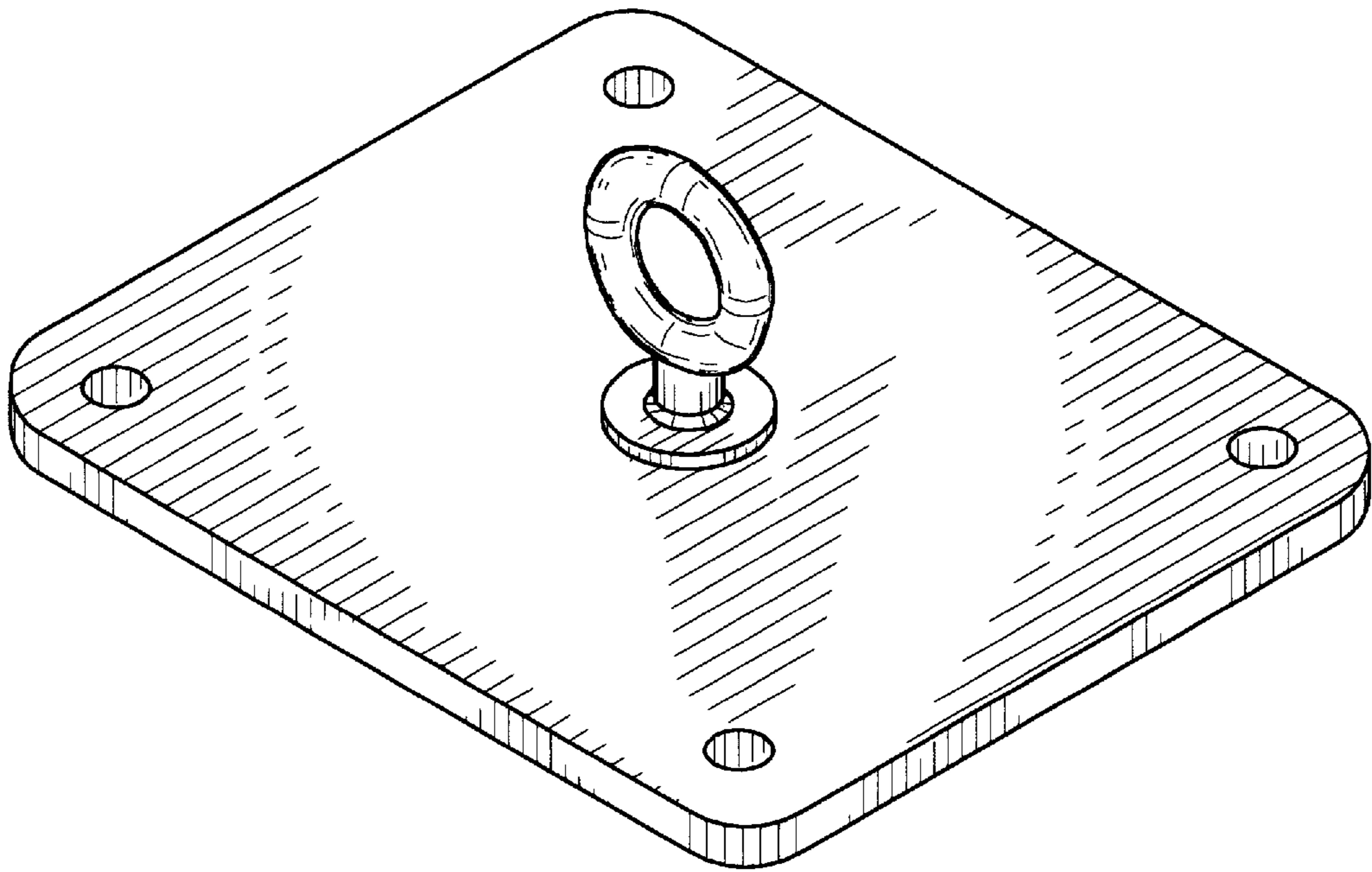
*Fig. 4*



*Fig. 5*



*Fig. 6*



*Fig. 7*