



US00D404179S

# United States Patent [19]

**Apps et al.**

[11] **Patent Number: Des. 404,179**

[45] **Date of Patent: \*\*Jan. 12, 1999**

[54] **BOTTOM DECK FOR A PALLET**

[75] Inventors: **William P. Apps**, Alpharetta, Ga.; **Jeff Wilkerson**, Grapevine, Tex.

[73] Assignee: **Rehrig-Pacific Company, Inc.**, Los Angeles, Calif.

[\*\*] Term: **14 Years**

[21] Appl. No.: **81,725**

[22] Filed: **Jan. 8, 1998**

[51] **LOC (6) Cl. .... 09-08**

[52] **U.S. Cl. .... D34/38**

[58] **Field of Search .... D34/28, 38; 108/51.11, 108/53.1, 56.1, 56.3**

3,651,769 3/1972 Foley .  
 3,654,874 4/1972 Skinner .  
 3,678,868 7/1972 Hirota .  
 3,710,733 1/1973 Story .  
 3,868,915 3/1975 Hafner ..... 108/51.11  
 3,878,796 4/1975 Morrison .  
 4,051,787 10/1977 Nishitani et al. .  
 4,103,857 8/1978 Levenhagen .  
 4,183,491 1/1980 Sanders et al. .  
 4,287,836 9/1981 Aoki .  
 4,316,419 2/1982 Cupido .  
 4,403,555 9/1983 Forrest .  
 4,597,338 7/1986 Kreeger .  
 5,197,395 3/1993 Pigott et al. .

### FOREIGN PATENT DOCUMENTS

2 232 200 1/1973 Germany .  
 27 33 457 2/1979 Germany .

*Primary Examiner*—Alan P. Douglas  
*Assistant Examiner*—Robin V. Taylor  
*Attorney, Agent, or Firm*—Banner & Witcoff, Ltd.

### [56] References Cited

#### U.S. PATENT DOCUMENTS

D. 225,397 12/1972 Lindley et al. .... D34/38  
 D. 231,096 4/1974 Adam .  
 D. 232,019 7/1974 Rehrig et al. .  
 D. 246,296 11/1977 Fujii et al. .  
 D. 281,366 11/1985 Hakanen ..... D34/38  
 D. 322,705 12/1991 Rasmussen ..... D34/38  
 D. 346,681 5/1994 Pigott et al. .  
 D. 347,511 5/1994 Pigott et al. .  
 D. 369,743 5/1996 Pintar et al. .... D34/38  
 D. 371,882 7/1996 Kristoffersson .  
 2,544,657 3/1951 Cushman .  
 2,699,912 1/1955 Cushman .  
 3,126,843 3/1964 DeLaney .  
 3,307,504 3/1967 Cloyd et al. .  
 3,467,032 9/1969 Rowlands et al. .  
 3,602,157 8/1971 Cohen et al. .

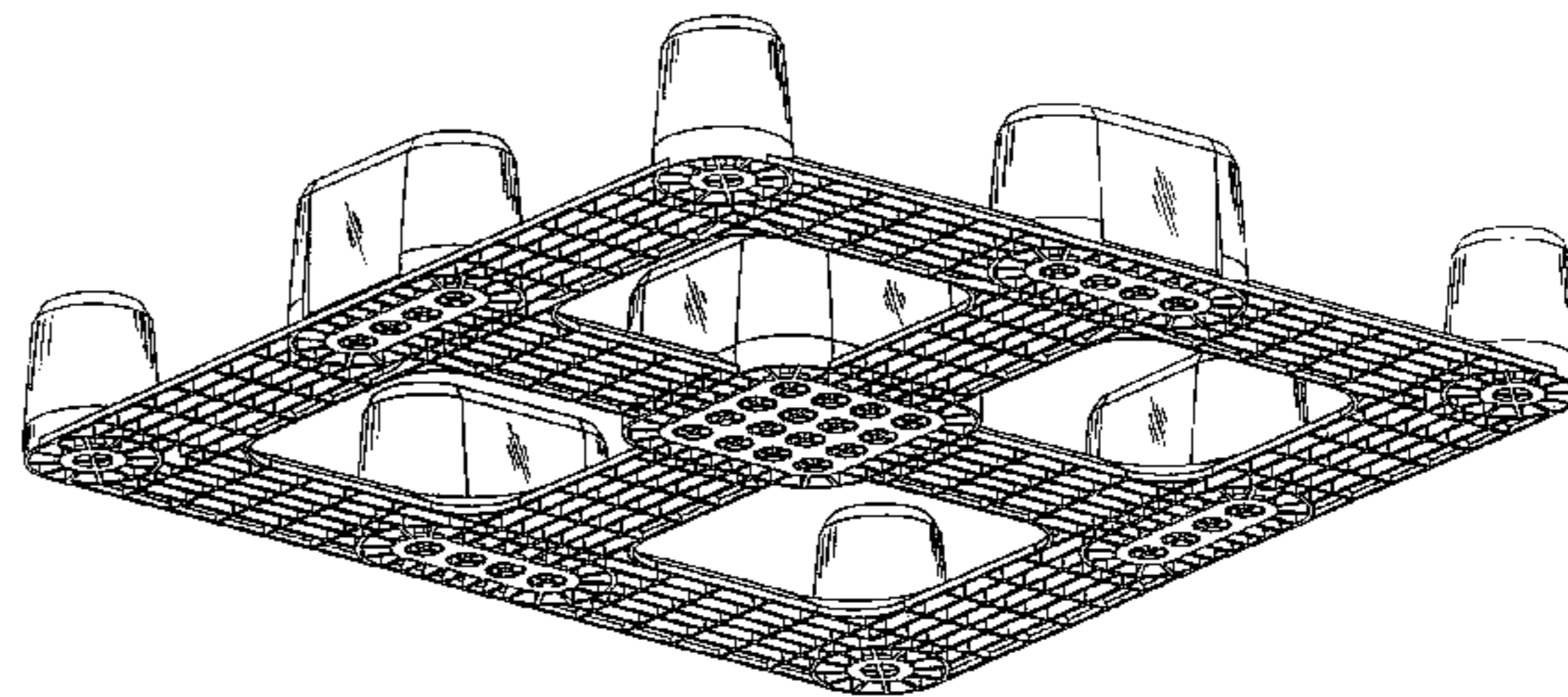
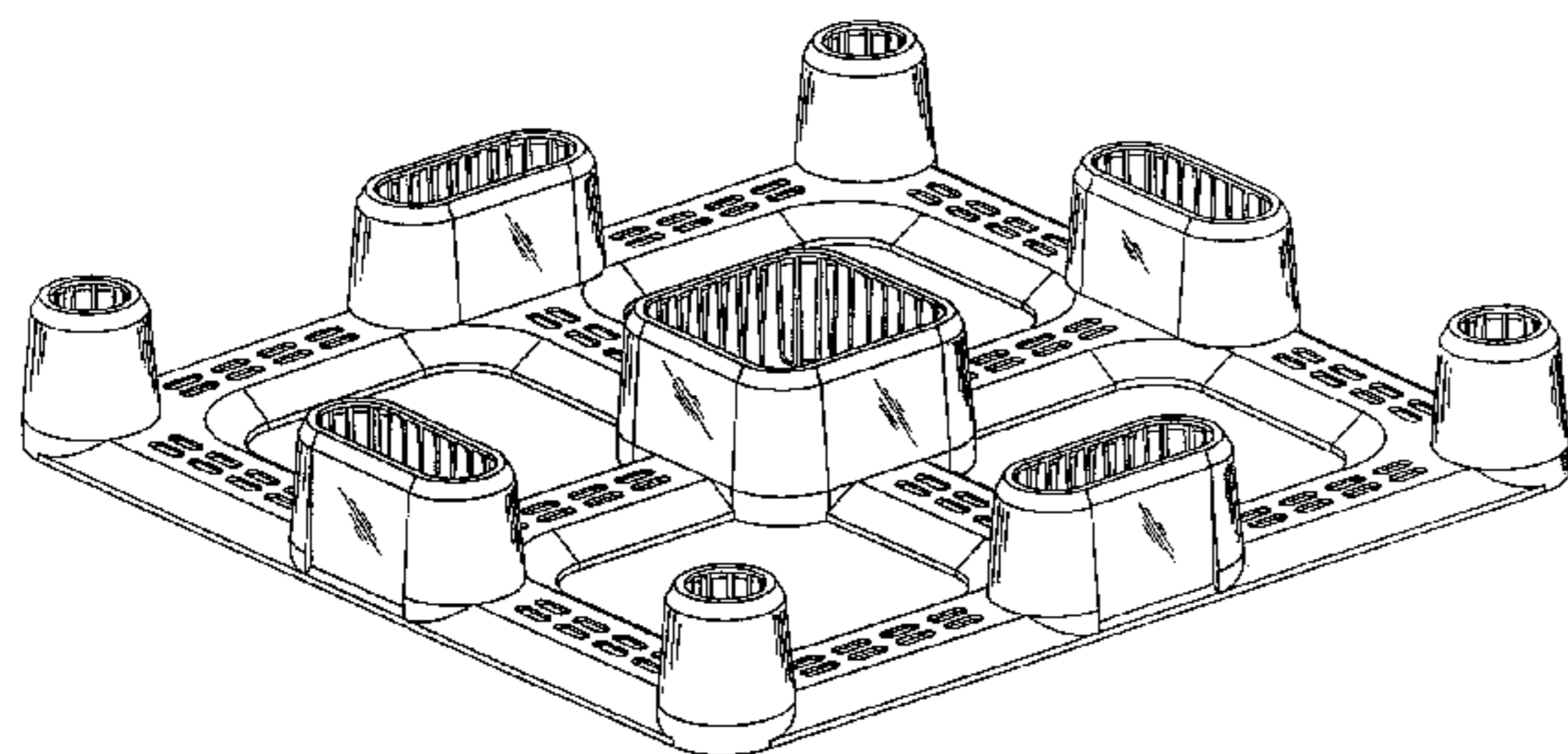
### [57] CLAIM

The ornamental design for a bottom deck for a pallet, as shown and described.

### DESCRIPTION

FIG. 1 is a top perspective view of a bottom deck for a pallet embodying the new design;  
 FIG. 2 is a bottom perspective view of the bottom deck;  
 FIG. 3 is a top plan view of the bottom deck;  
 FIG. 4 is a bottom plan view thereof; and,  
 FIG. 5 is a side elevational view thereof, all of the sides being identical.

1 Claim, 4 Drawing Sheets



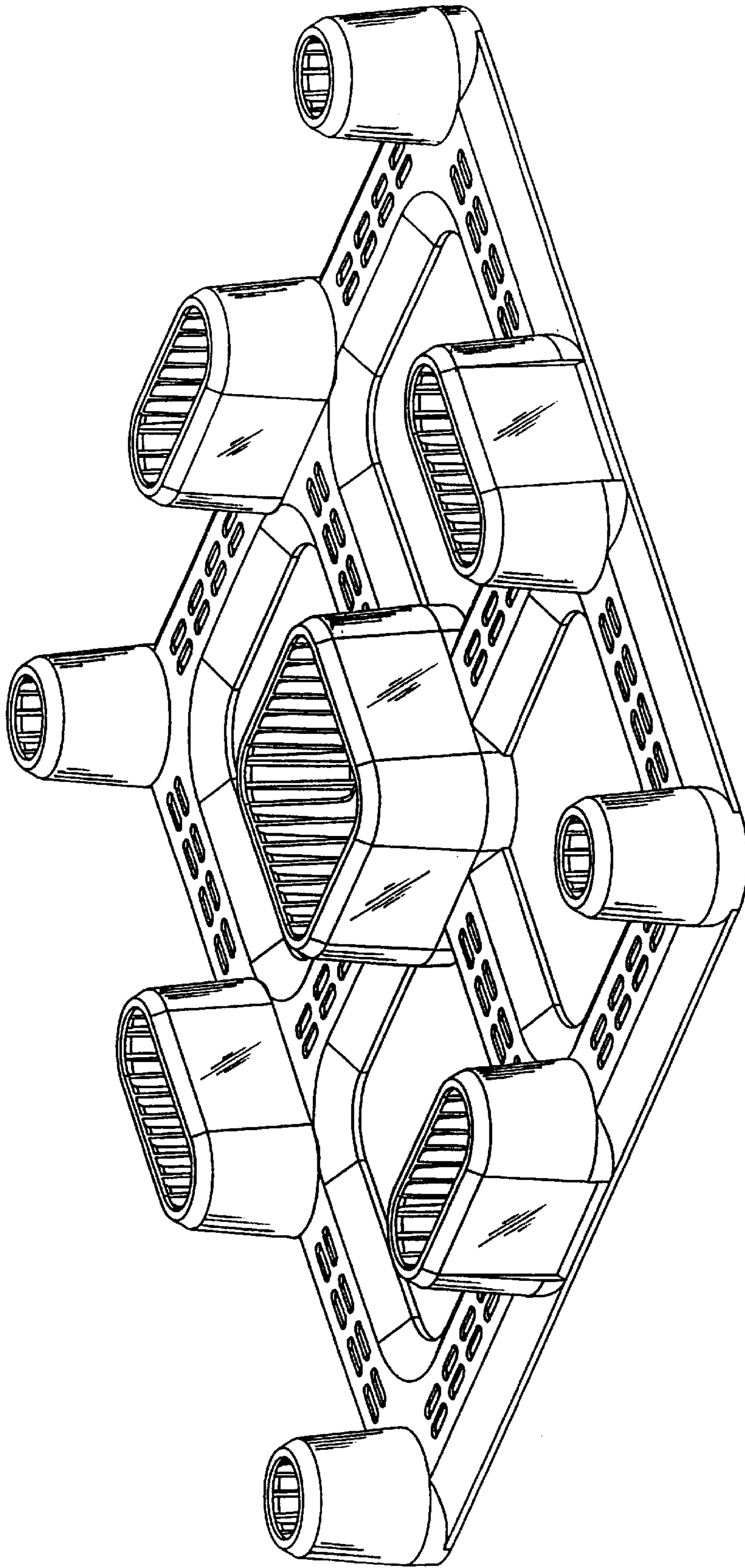


Fig. 1



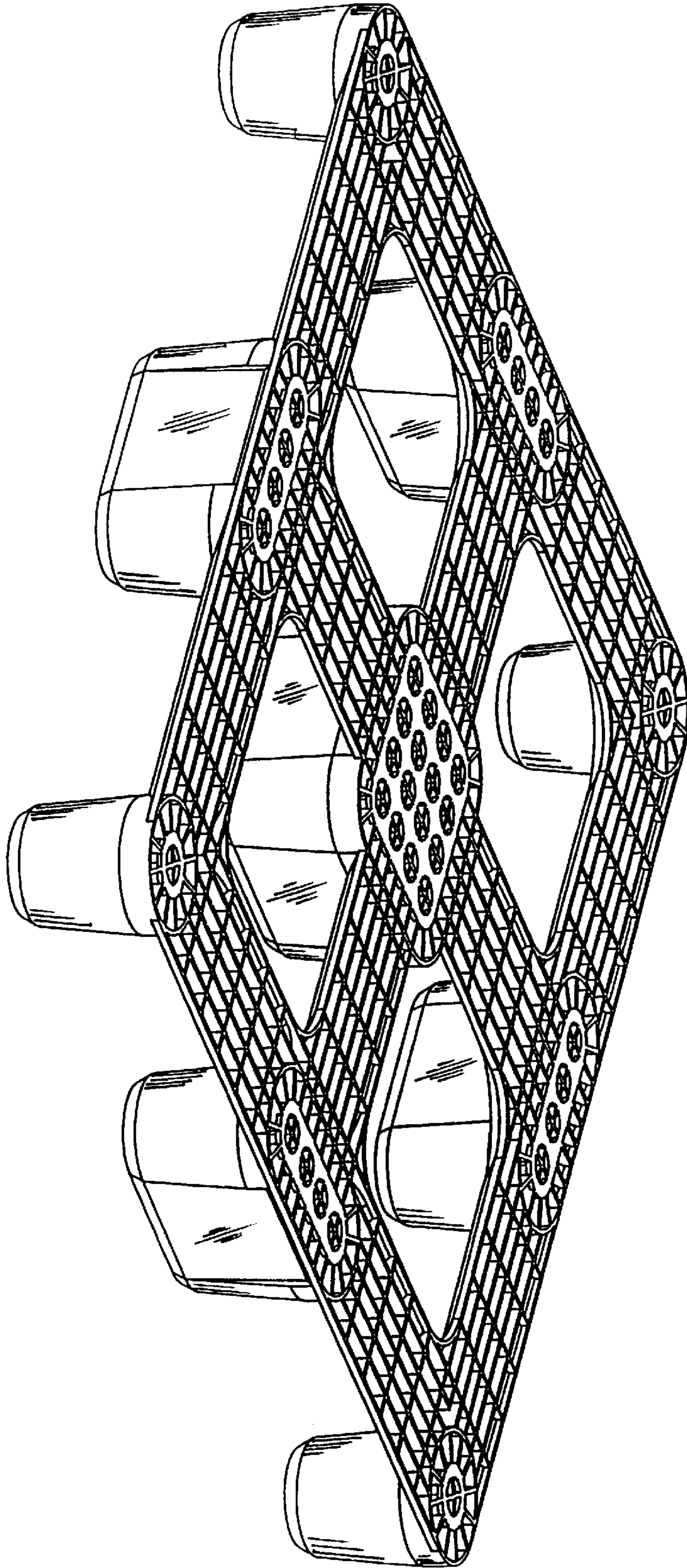
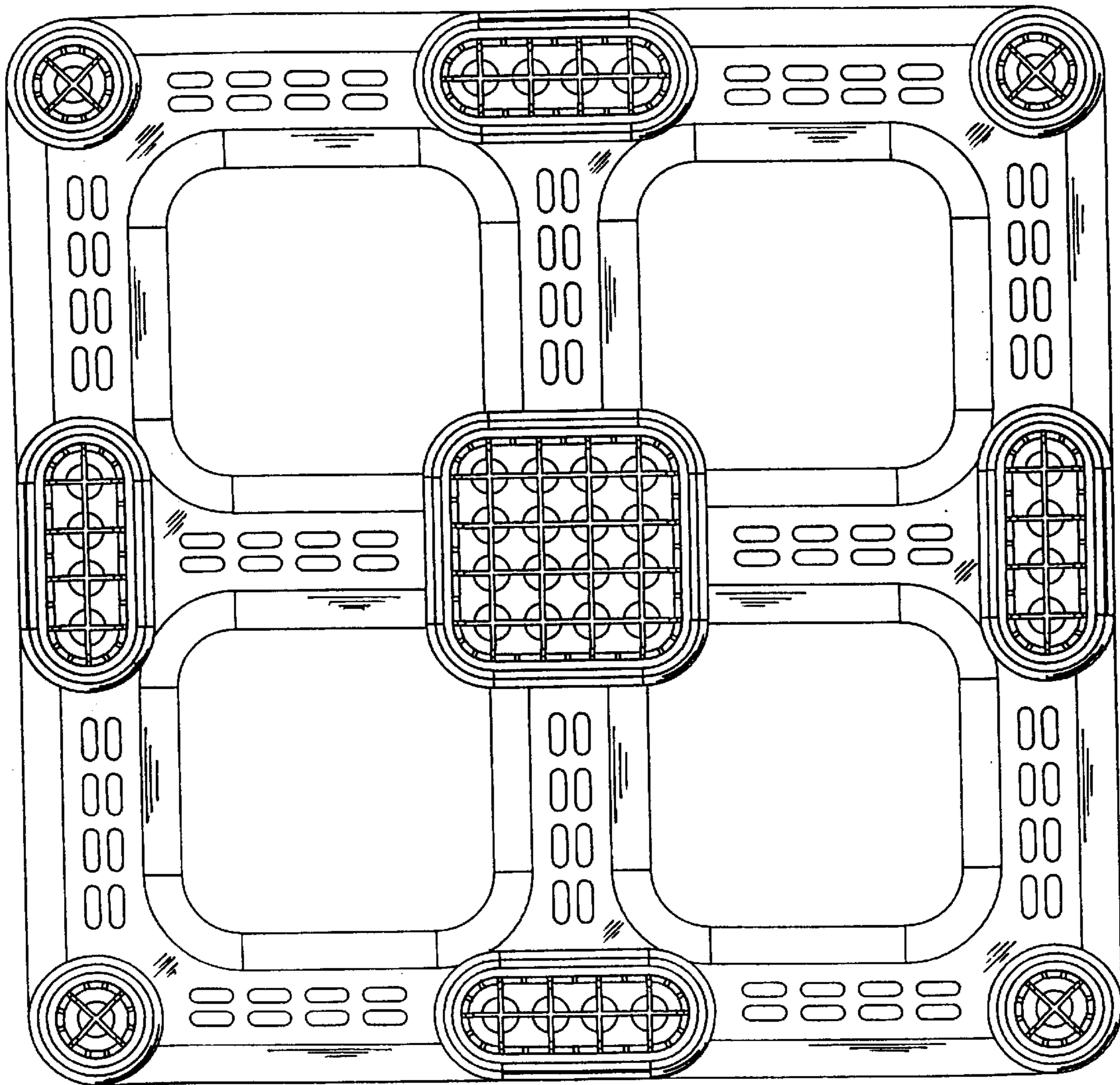
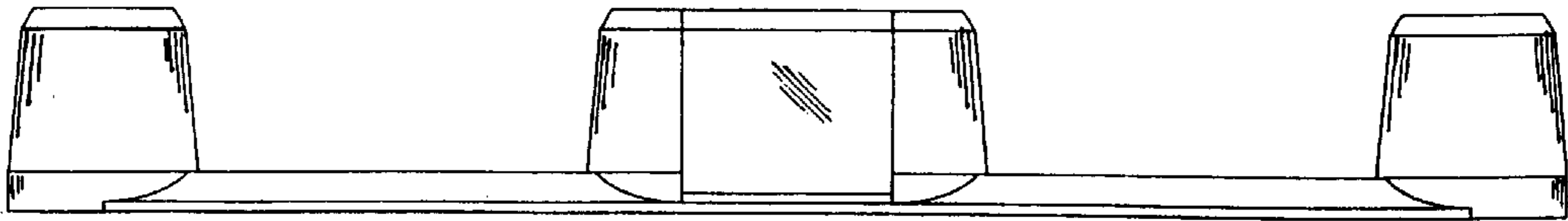


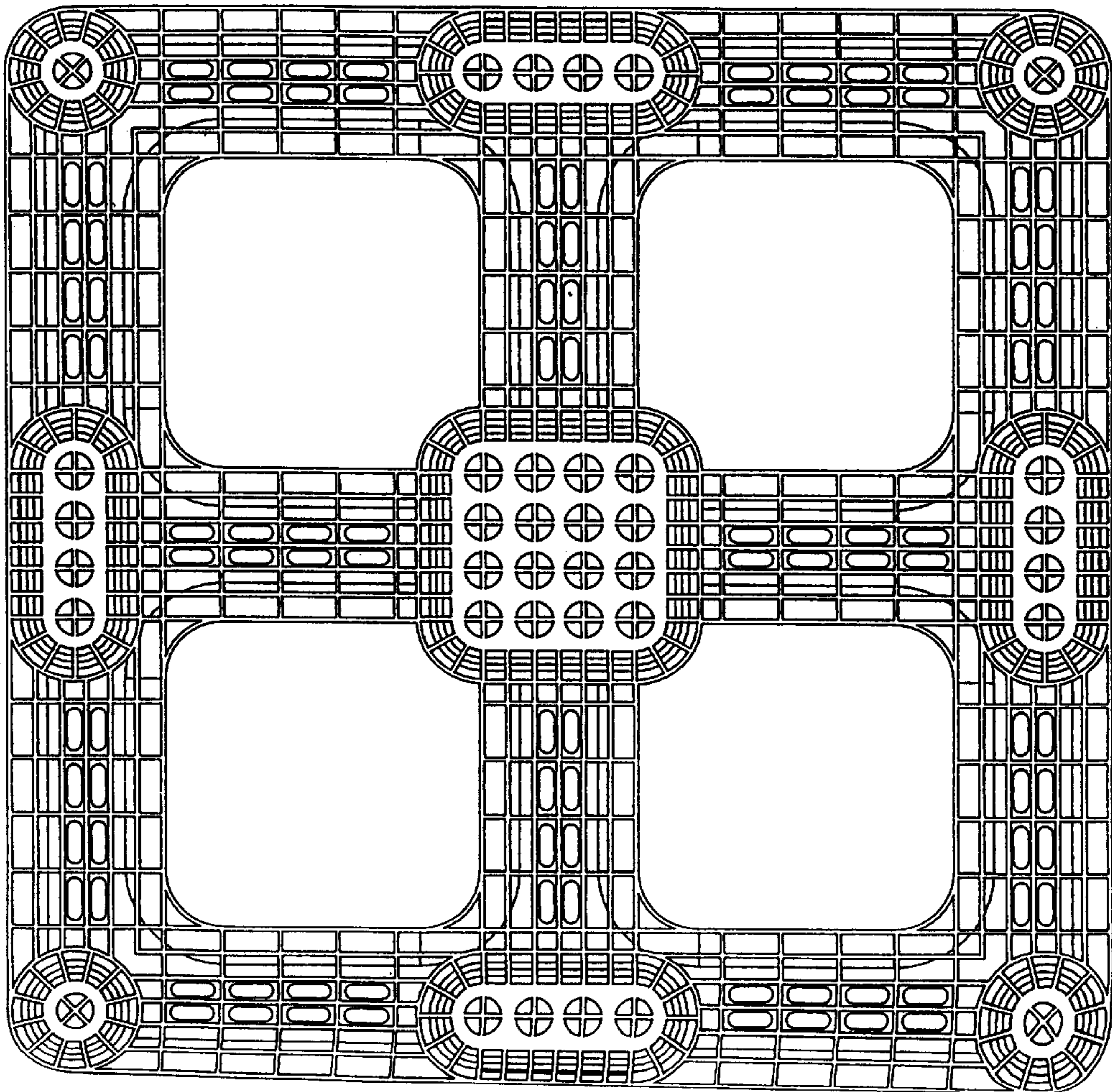
Fig. 2



*Fig. 3*



*Fig. 5*



*Fig. 4*