

US00D404178S

United States Patent [19]

Wetzler

[11] **Patent Number: Des. 404,178**

[45] **Date of Patent: **Jan. 12, 1999**

[54] **COMBINED TOILET PLUNGER AND MULTI-PURPOSE DRAIN OPENER**

[76] Inventor: **David James Wetzler**, P.O. Box 5422, Orange, Calif. 92863

[**] Term: **14 Years**

[21] Appl. No.: **86,033**

[22] Filed: **Apr. 2, 1998**

[51] **LOC (6) Cl. 88-99**

[52] **U.S. Cl. D32/35**

[58] **Field of Search D32/35; 4/255.02, 4/255.5-255.12, 255.01; D8/14; 15/406**

[56] **References Cited**

U.S. PATENT DOCUMENTS

905,567	12/1908	Noppel	4/255.02
1,304,196	5/1919	Noppel	4/255.02
1,684,880	9/1928	Norton	4/255.02
1,706,315	3/1929	Norton	4/255.02
2,056,018	9/1936	Popp .	

2,300,319	10/1942	Smith .	
3,934,280	1/1976	Tancredi	4/255.02
4,186,451	2/1980	Ruo	4/255.02
5,199,114	4/1993	Christopher	4/255.02
5,522,094	6/1996	Balazs	4/255.02
5,530,988	7/1996	Mcquillan .	
5,669,099	9/1997	Porcasi .	

Primary Examiner—Susan J. Lucas
Assistant Examiner—Cynthia F. Ramiz
Attorney, Agent, or Firm—Ben E. Lofstedt

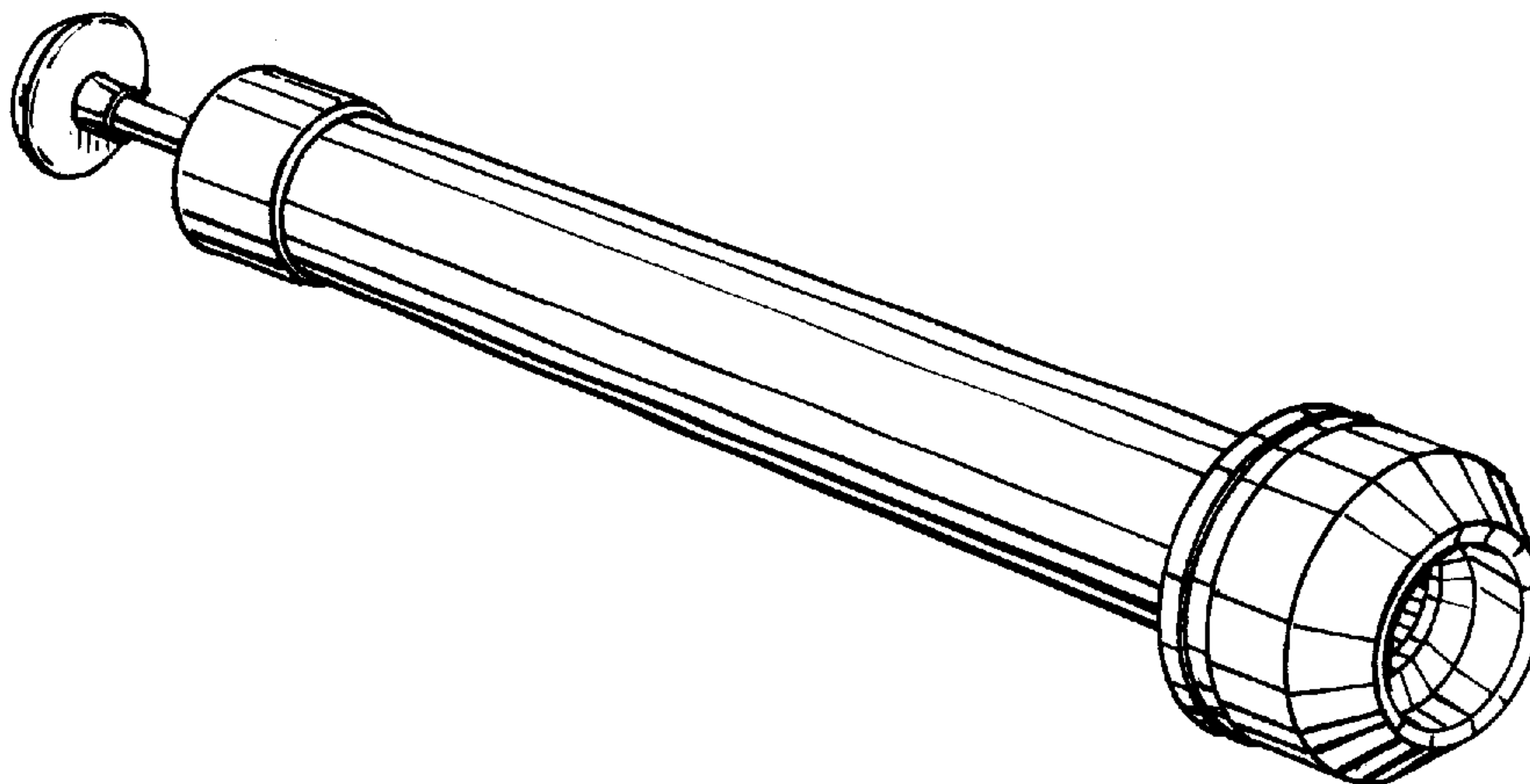
[57] **CLAIM**

The ornamental design for a combined toilet plunger and multi-purpose drain opener, as shown and described.

DESCRIPTION

FIG. 1 is a top view of a combined toilet plunger and multi-purpose drain opener showing my new design; FIG. 2 is a front end view of thereof; FIG. 3 is a bottom view thereof; FIG. 4 is a rear end view thereof; and, FIG. 5 is a perspective view thereof.

1 Claim, 1 Drawing Sheet



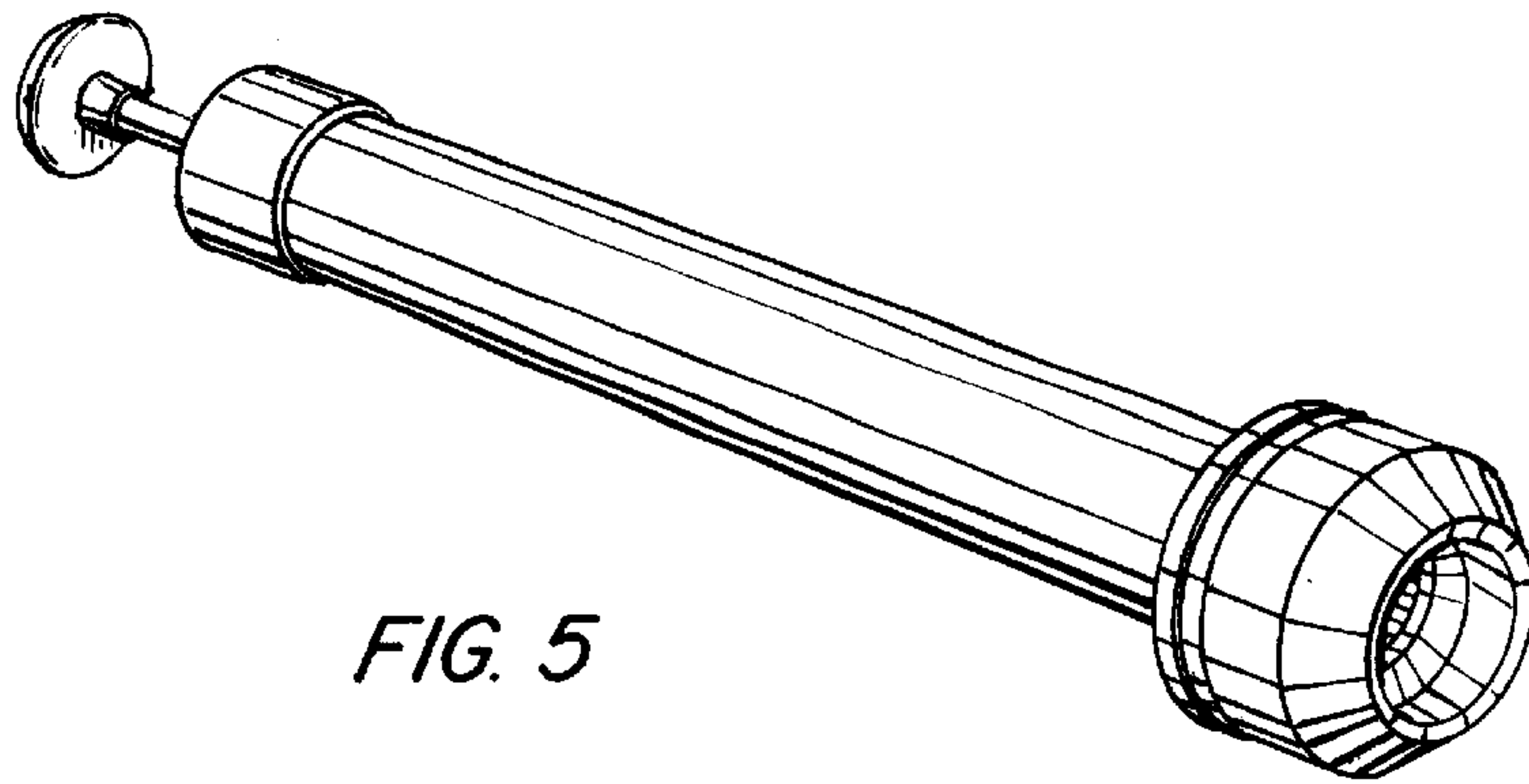


FIG. 5

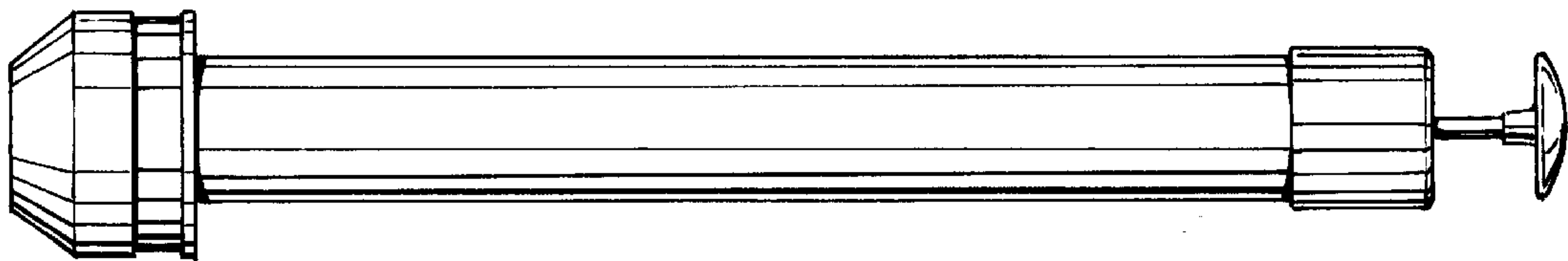


FIG. 1

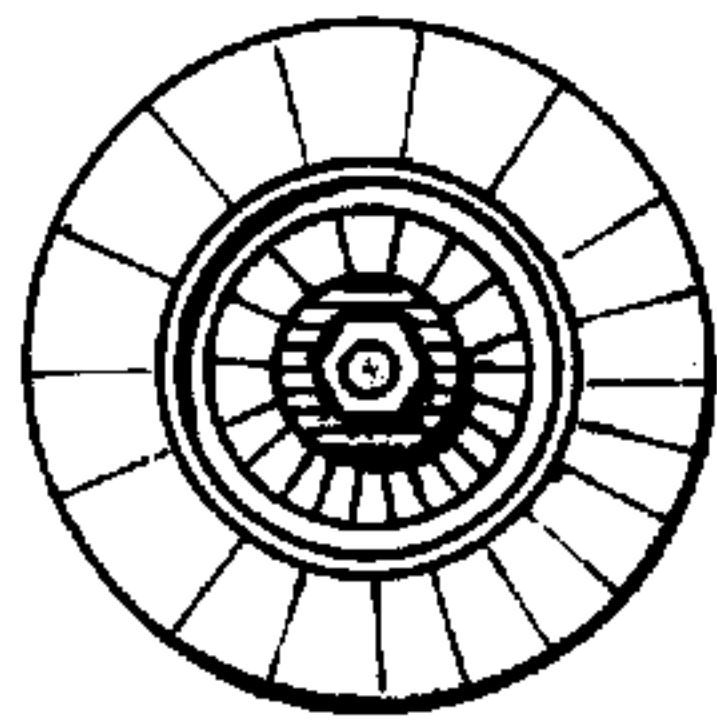


FIG. 2

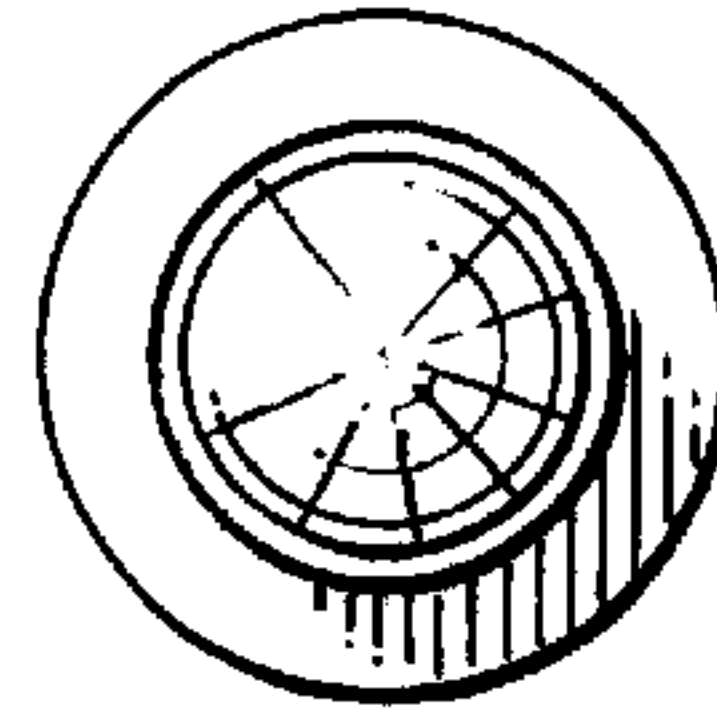


FIG. 4

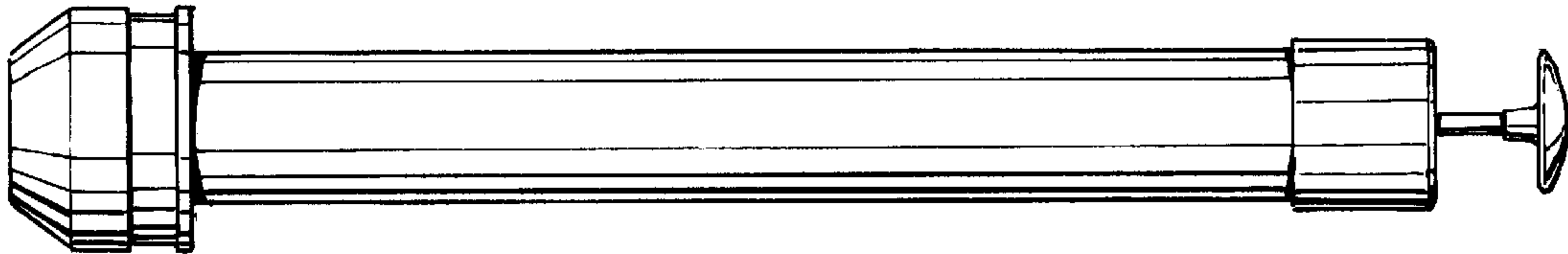


FIG. 3