



US00D404170S

United States Patent [19] Lesesky

[11] **Patent Number: Des. 404,170**

[45] **Date of Patent: **Jan. 12, 1999**

[54] **LENS FOR COUPLER**

[75] Inventor: **Alan C. Lesesky**, Charlotte, N.C.

[73] Assignee: **Vehicle Enhancement Systems, Inc.**,
Rock Hill, S.C.

[**] Term: **14 Years**

[21] Appl. No.: **50,632**

[22] Filed: **Feb. 20, 1996**

4,715,012	12/1987	Mueller, Jr. .	
4,717,913	1/1988	Elger	455/601 X
4,733,919	3/1988	Jacobs et al. .	
4,735,461	4/1988	Moller et al. .	
4,752,899	6/1988	Newman et al. .	
4,767,181	8/1988	McEowen .	
4,772,209	9/1988	Muncey .	
4,838,797	6/1989	Dodier .	
4,839,531	6/1989	Stemmons et al. .	
4,897,642	1/1990	DiLullo et al. .	
4,969,839	11/1990	Nilsson .	
5,025,253	6/1991	DiLullo et al. .	
5,142,278	8/1992	Moallemi et al. .	

Related U.S. Application Data

[63] Continuation-in-part of Ser. No. 393,566, Feb. 23, 1995, Pat. No. 5,677,667.

[51] **LOC (6) Cl.** **26-05**

[52] **U.S. Cl.** **D26/124**

[58] **Field of Search** 439/102, 107;
340/829.06, 825.54, 854.3, 855.1, 452,
531, 431; D26/120, 123, 124; 362/326,
329, 332, 333, 317, 335

[56] References Cited

U.S. PATENT DOCUMENTS

D. 193,867	10/1962	Harling et al.	D26/120
2,379,664	7/1945	Stanko .	
2,483,815	10/1949	Easton .	
3,116,885	1/1964	Morse	D26/120 X
3,154,360	10/1964	Plishner .	
3,184,703	5/1965	Piscitello et al. .	
3,387,606	6/1968	Crafts et al. .	
4,041,470	8/1977	Slane et al. .	
4,624,472	11/1986	Stuart et al. .	

Primary Examiner—Susan J. Lucas
Attorney, Agent, or Firm—Bell Seltzer Intellectual Property
Law Group of Alston & Bird LLP

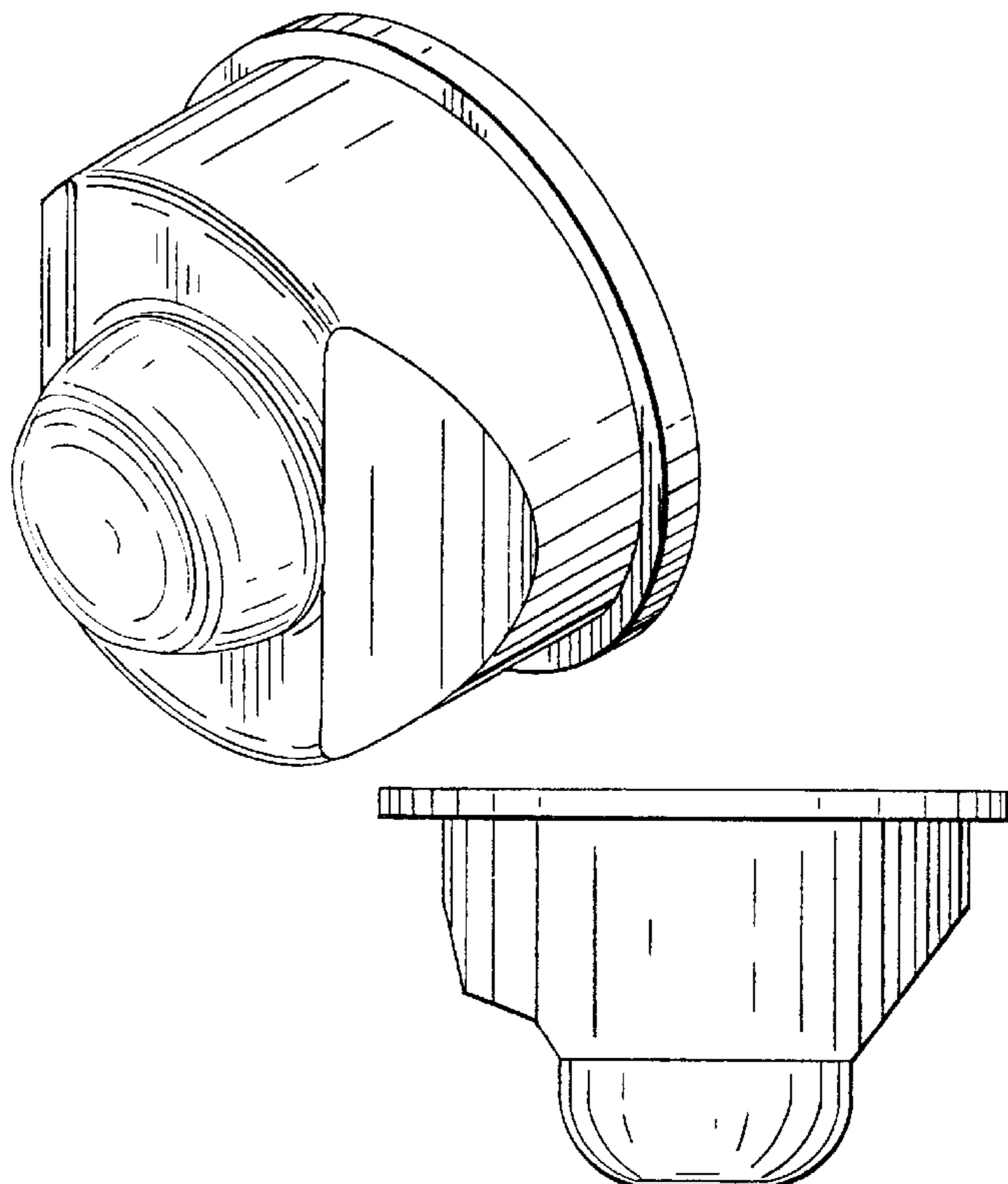
[57] CLAIM

The ornamental design for a lens for coupler, as shown and described.

DESCRIPTION

FIG. 1 is a left side perspective view of a lens for coupler showing our new design;
FIG. 2 is another left side perspective view thereof;
FIG. 3 is a front elevational view thereof;
FIG. 4 is a top plan view thereof;
FIG. 5 is a left side elevational view thereof;
FIG. 6 is a rear elevational view thereof;
FIG. 7 is a right side elevational view thereof; and,
FIG. 8 is a bottom plan view thereof.
The broken lines in FIG. 1 are for illustrative purposes only and form no part of the claimed design.

1 Claim, 2 Drawing Sheets



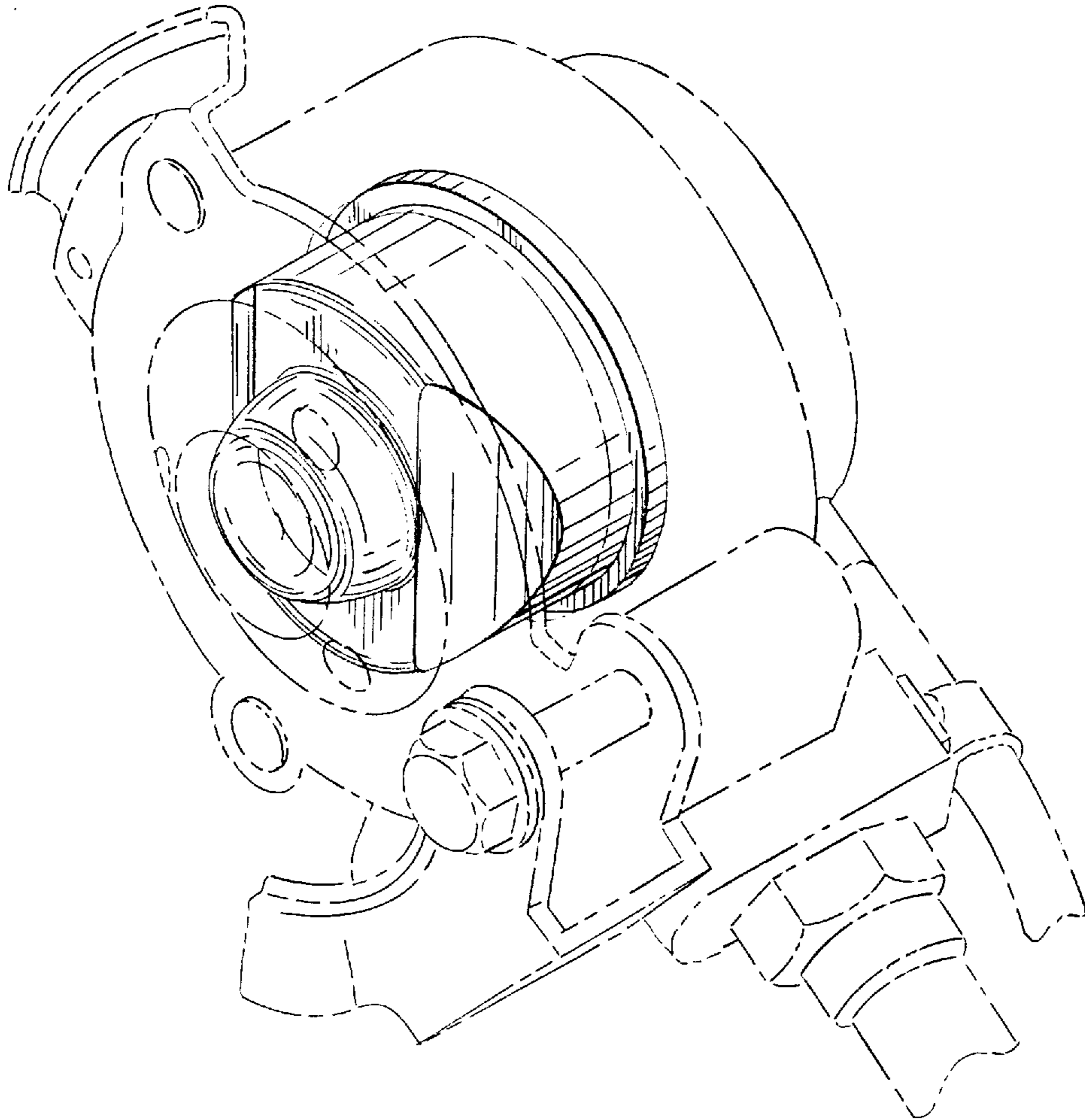


FIG. 1.

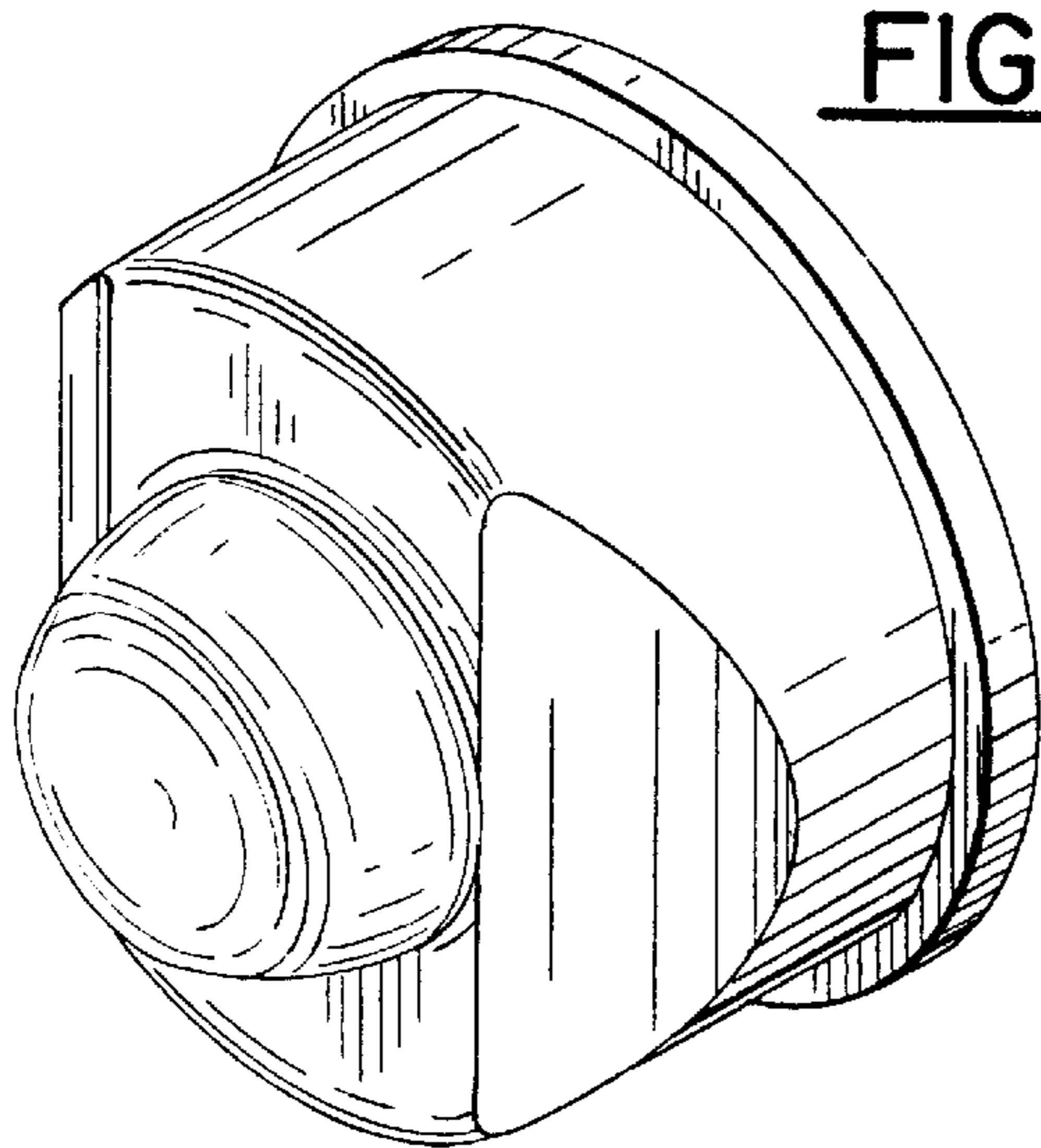


FIG. 2.

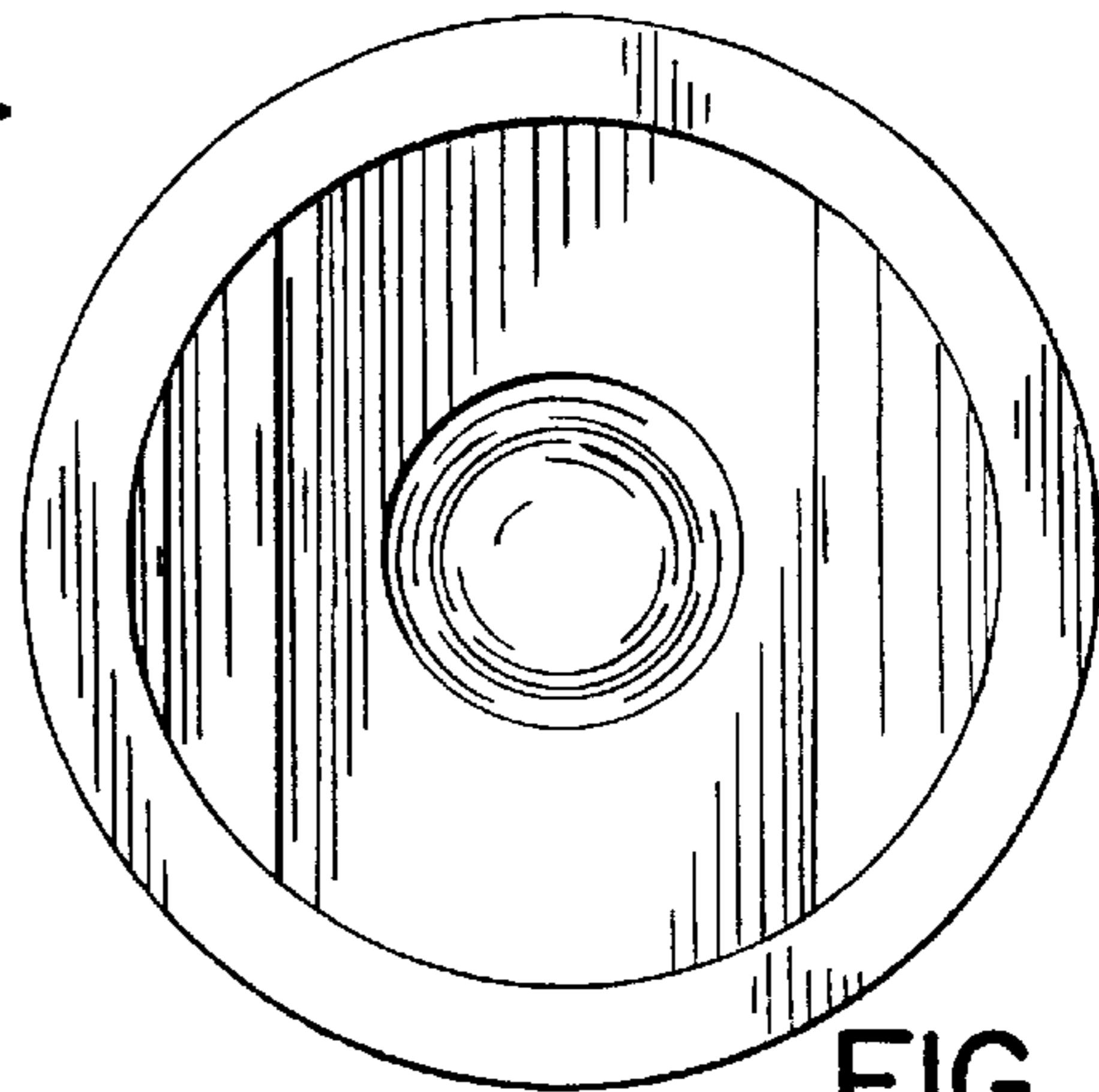


FIG. 3.

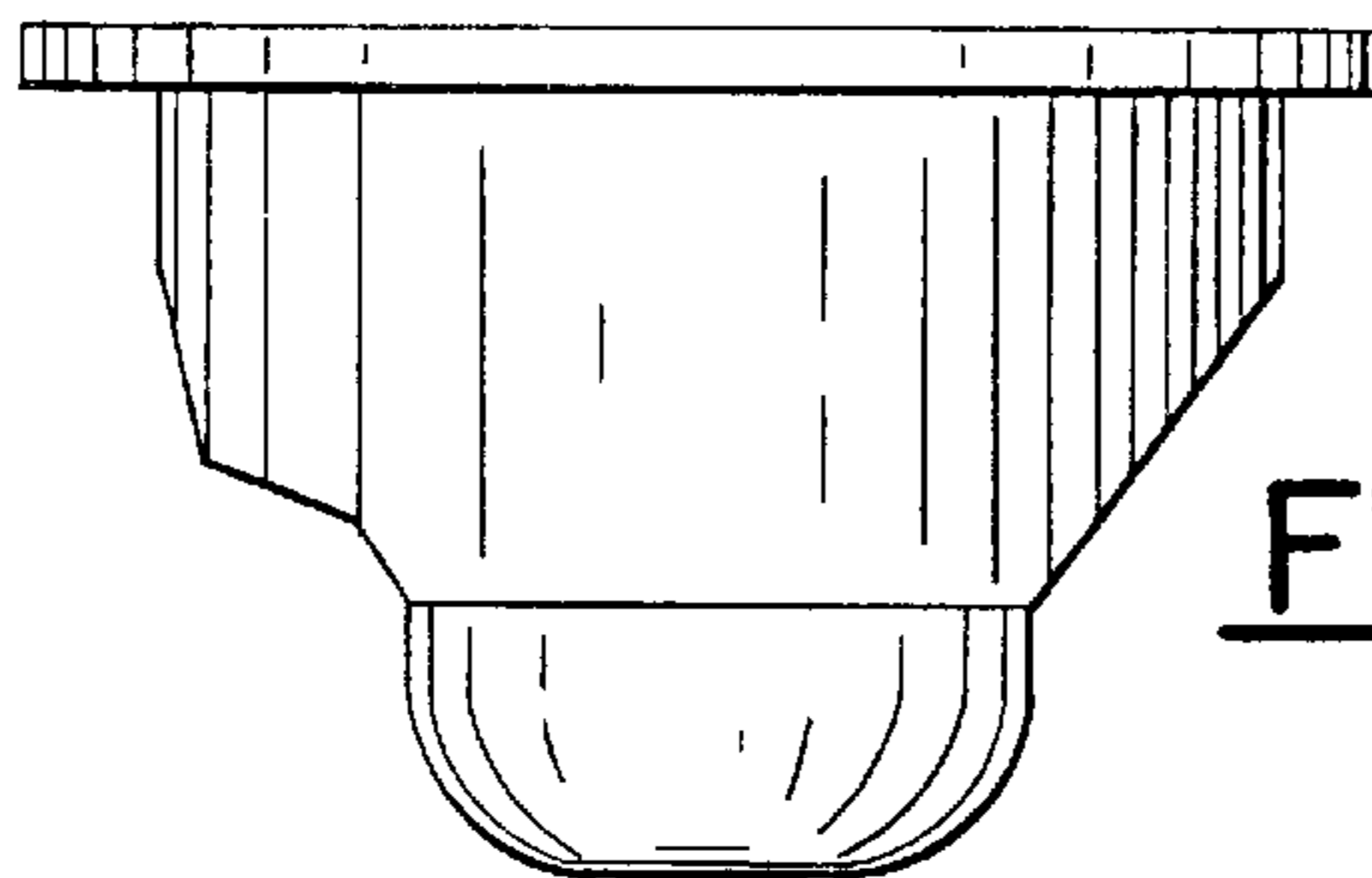


FIG. 4.

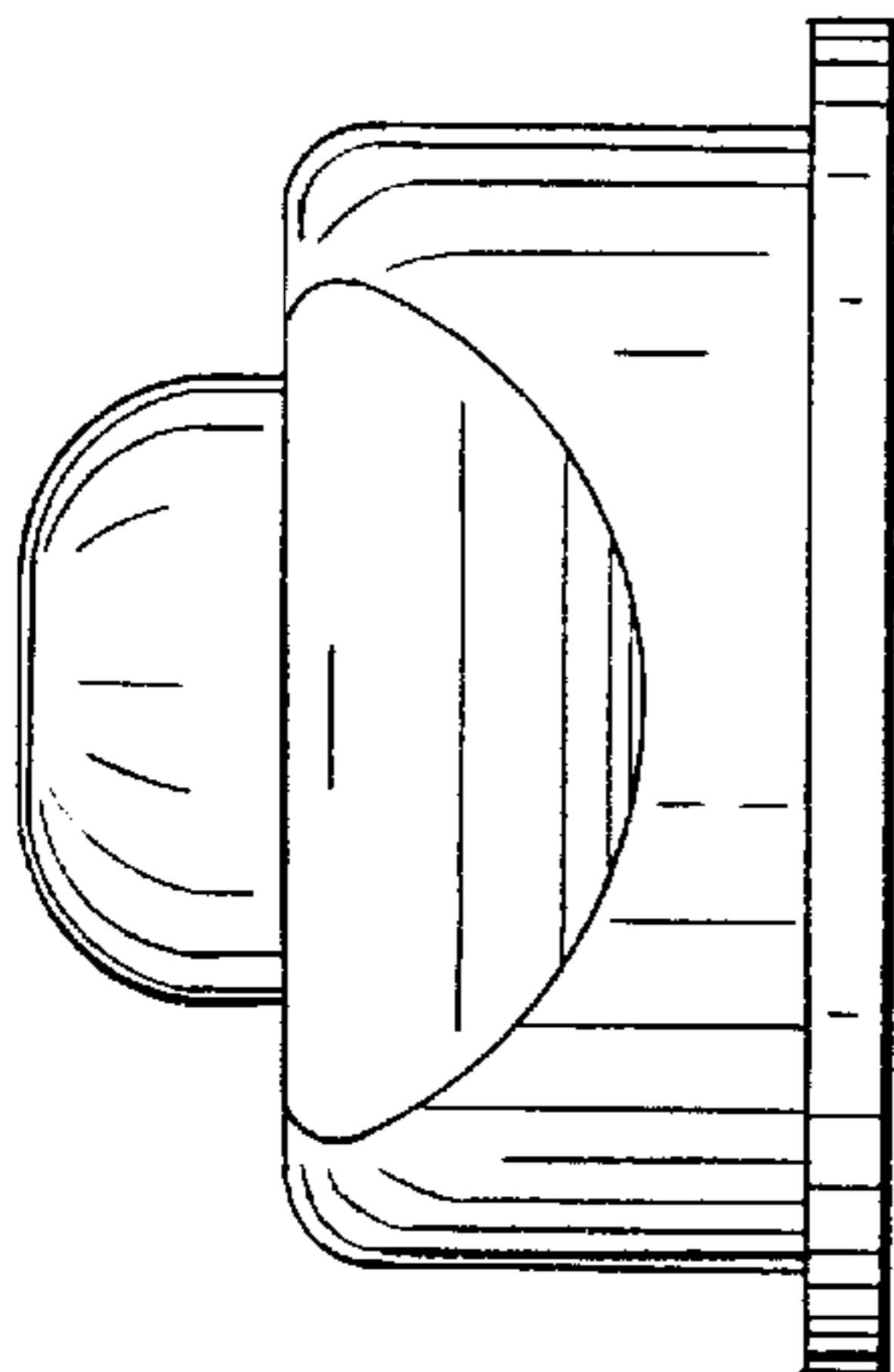


FIG. 5.

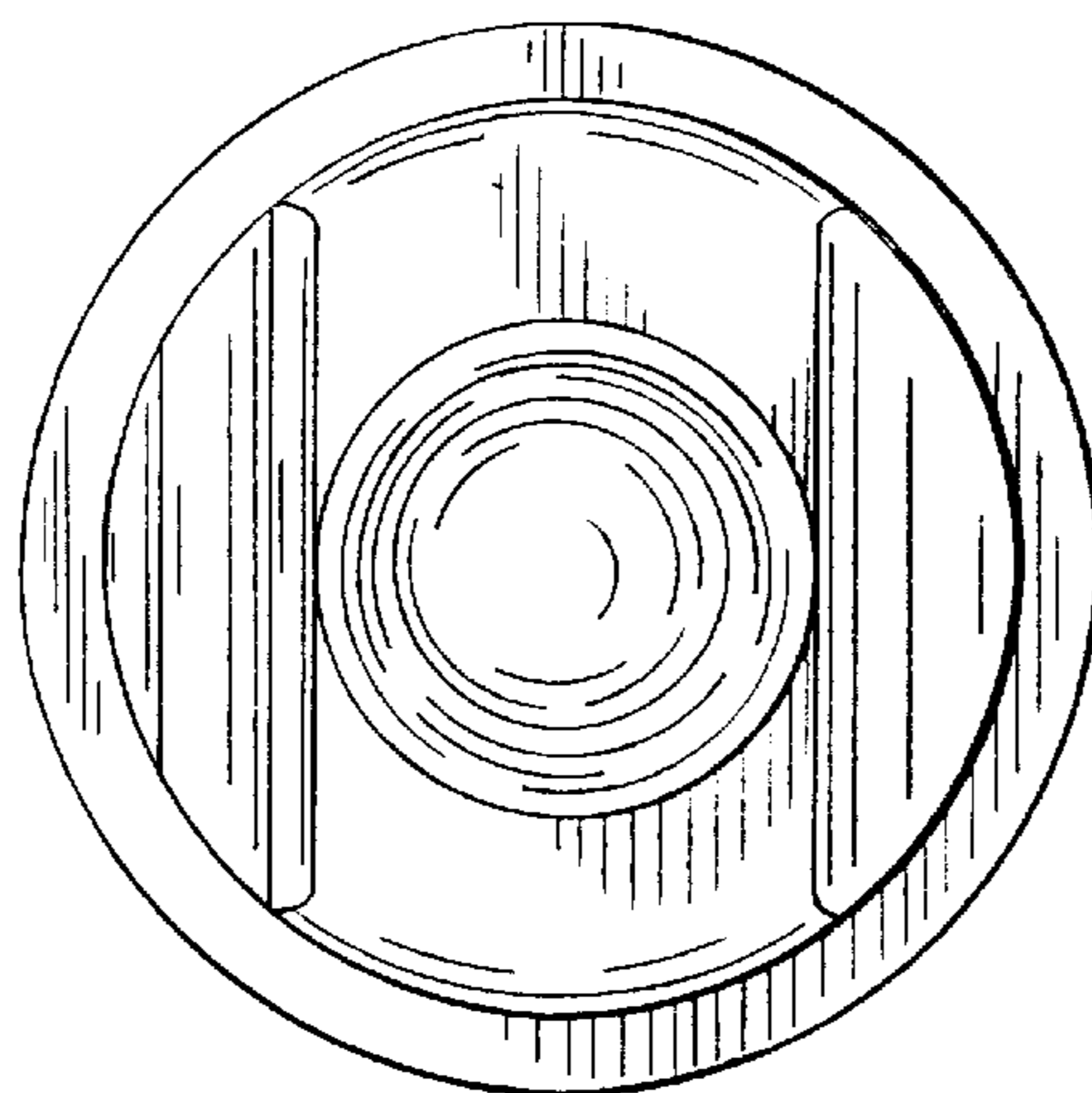


FIG. 6.

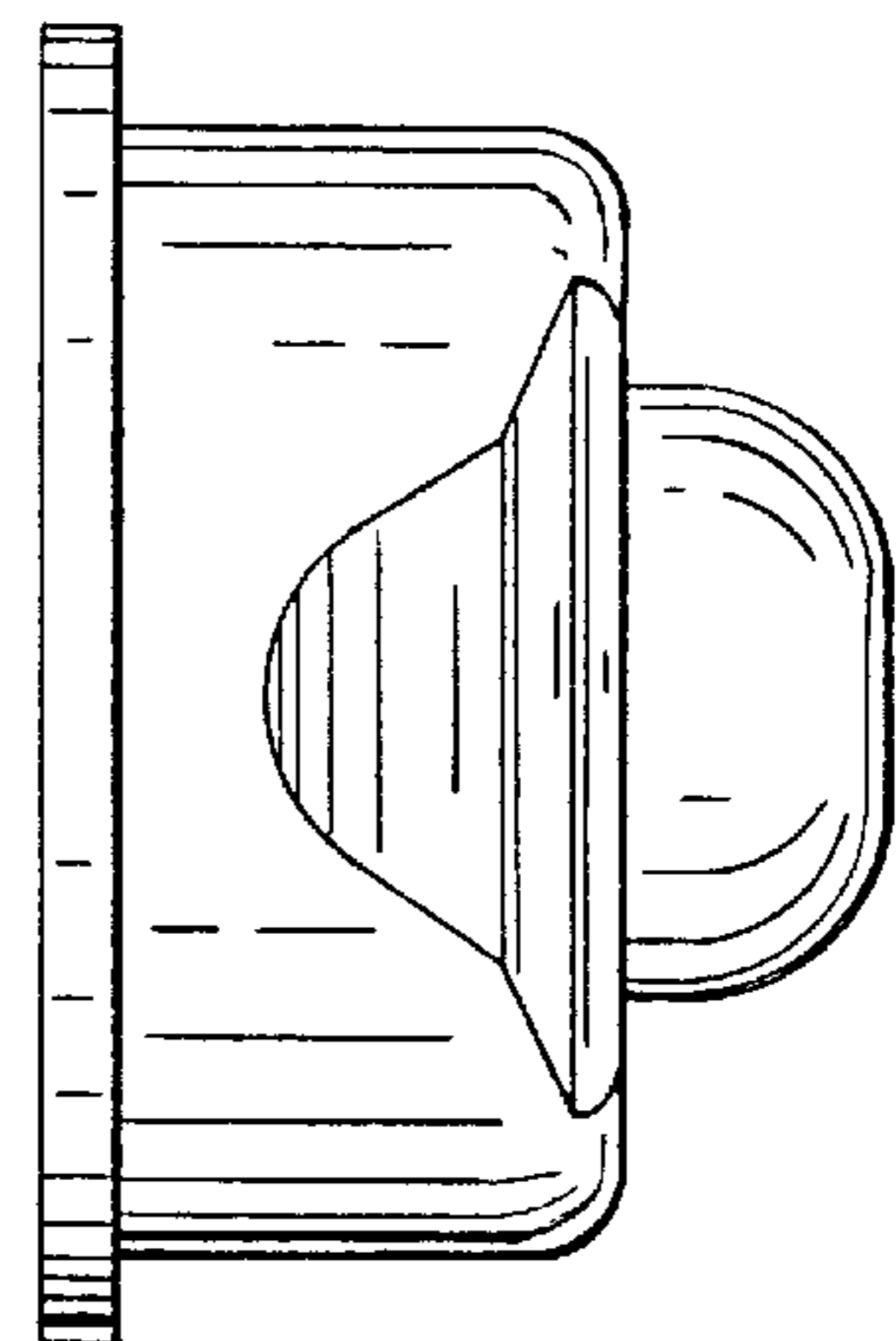


FIG. 7.

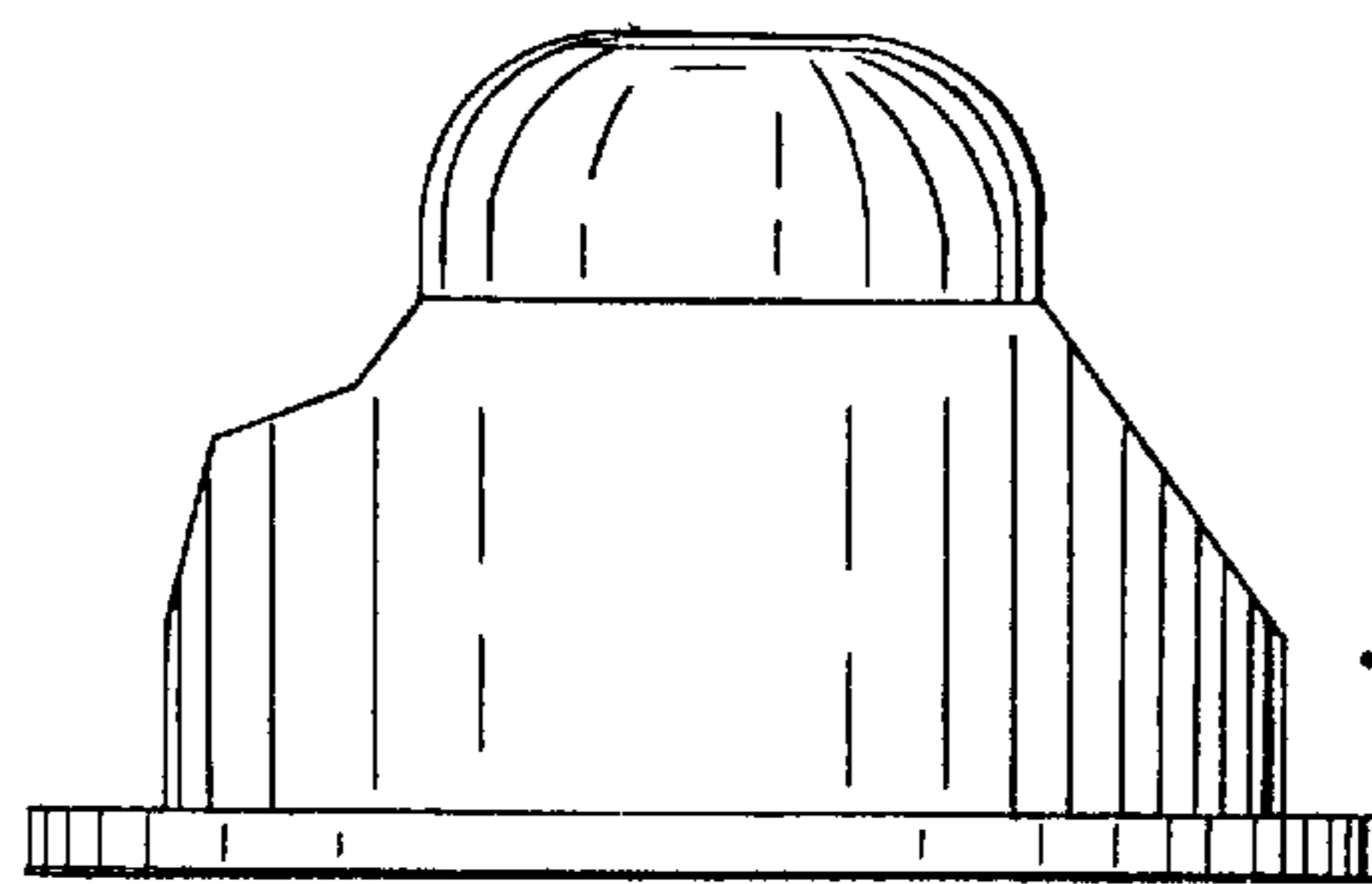


FIG. 8.