



US00D404169S

United States Patent [19] Wang

[11] Patent Number: **Des. 404,169**

[45] Date of Patent: ****Jan. 12, 1999**

[54] **LIGHT FIXTURE SHADE**

OTHER PUBLICATIONS

[75] Inventor: **Da-jen Wang**, Taipei Hsein, Taiwan

Lighting and Lamps, p. 74, lamp reflector, desk lamp box, Jul. 1950.

[73] Assignee: **International Light Manufacturing Company**, St. Louis, Mo.

Primary Examiner—Susan J. Lucas
Attorney, Agent, or Firm—Senninger, Powers, Leavitt & Roedel

[**] Term: **14 Years**

[21] Appl. No.: **72,193**

[57] **CLAIM**

[22] Filed: **Jun. 12, 1997**

The ornamental design for a light fixture shade, as shown and described.

[51] **LOC (6) Cl.** **26-05**

DESCRIPTION

[52] **U.S. Cl.** **D26/118; D26/134**

[58] **Field of Search** D26/118, 128–136, D26/72, 80–92; 362/341, 343, 345, 346, 349, 351, 355, 147, 404–408, 432

FIG. 1 is a top plan view of a light fixture shade of my new design;

FIG. 2 is a bottom plan view thereof;

FIG. 3 is a right side elevational view thereof;

FIG. 4 is a left side elevational view thereof;

FIG. 5 is a front elevational view thereof;

FIG. 6 is a rear elevational view thereof; and,

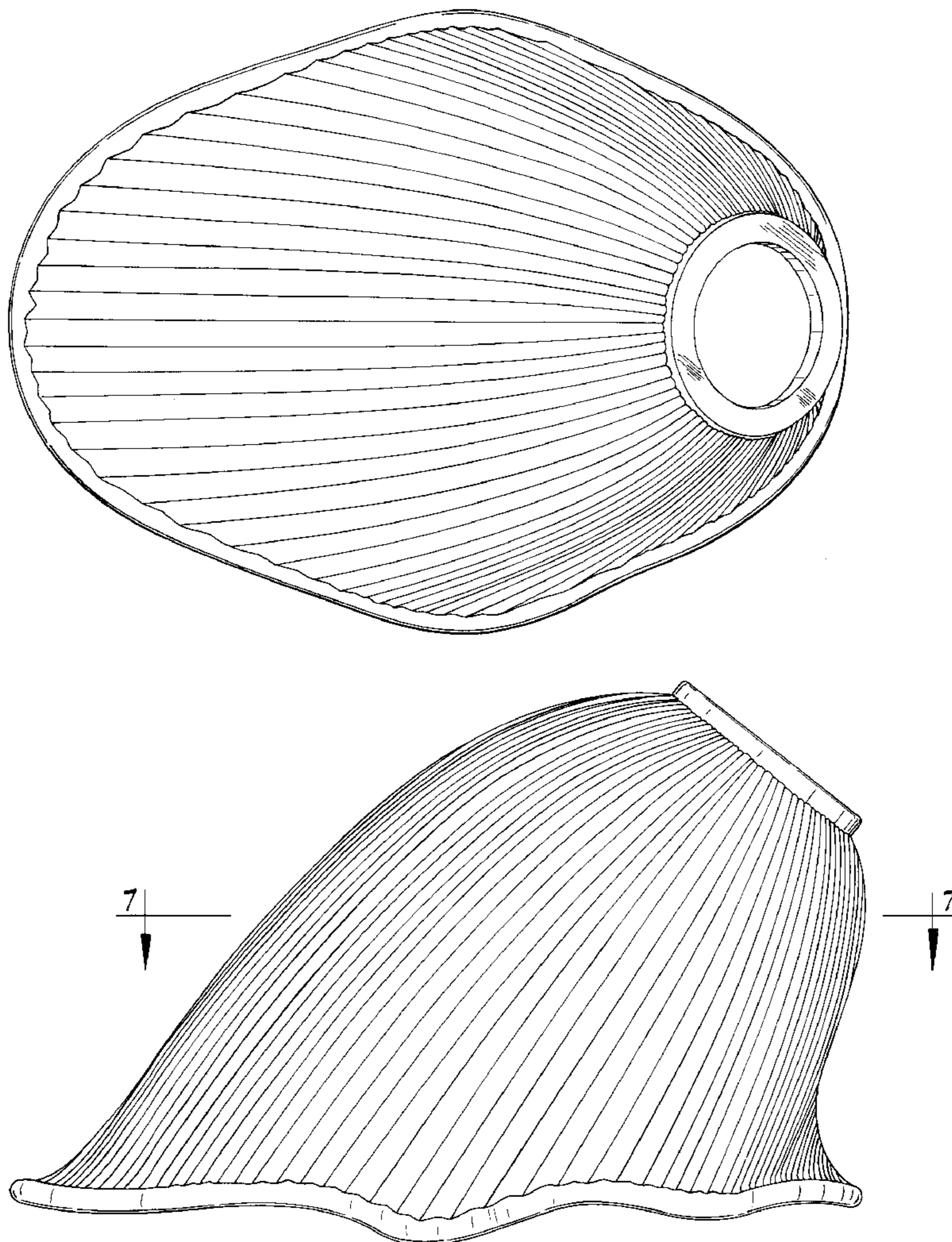
FIG. 7 is a cross-section taken in the plane of line 7—7 of FIG. 3.

[56] **References Cited**

U.S. PATENT DOCUMENTS

D. 291,606	8/1987	Ander et al.	D26/128
1,603,055	10/1926	Williams	362/348
1,759,307	5/1930	Hartinger	362/348
1,767,144	6/1930	Lang	362/348
4,447,865	5/1984	VanHorn et al.	362/346 X

1 Claim, 7 Drawing Sheets



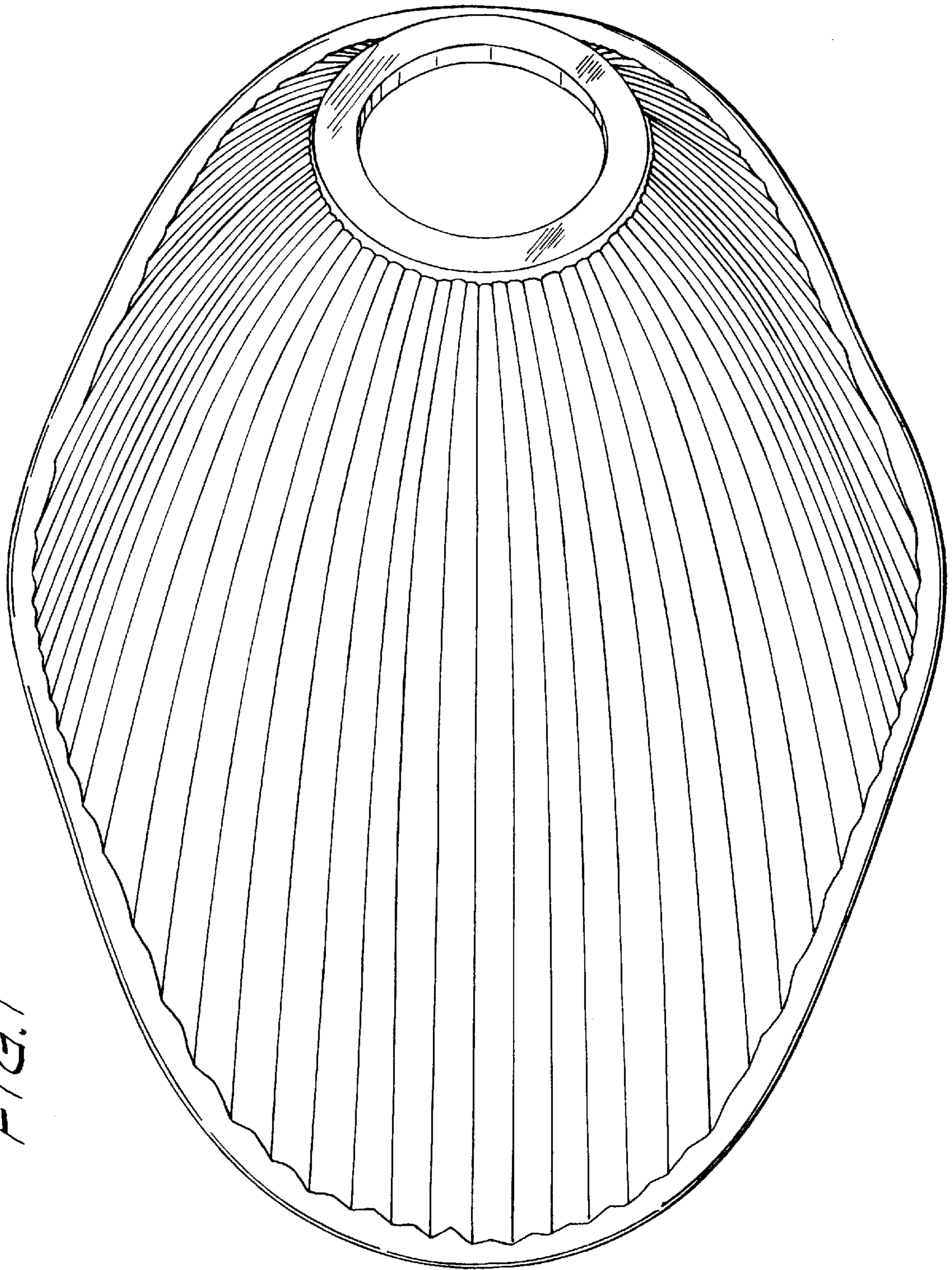
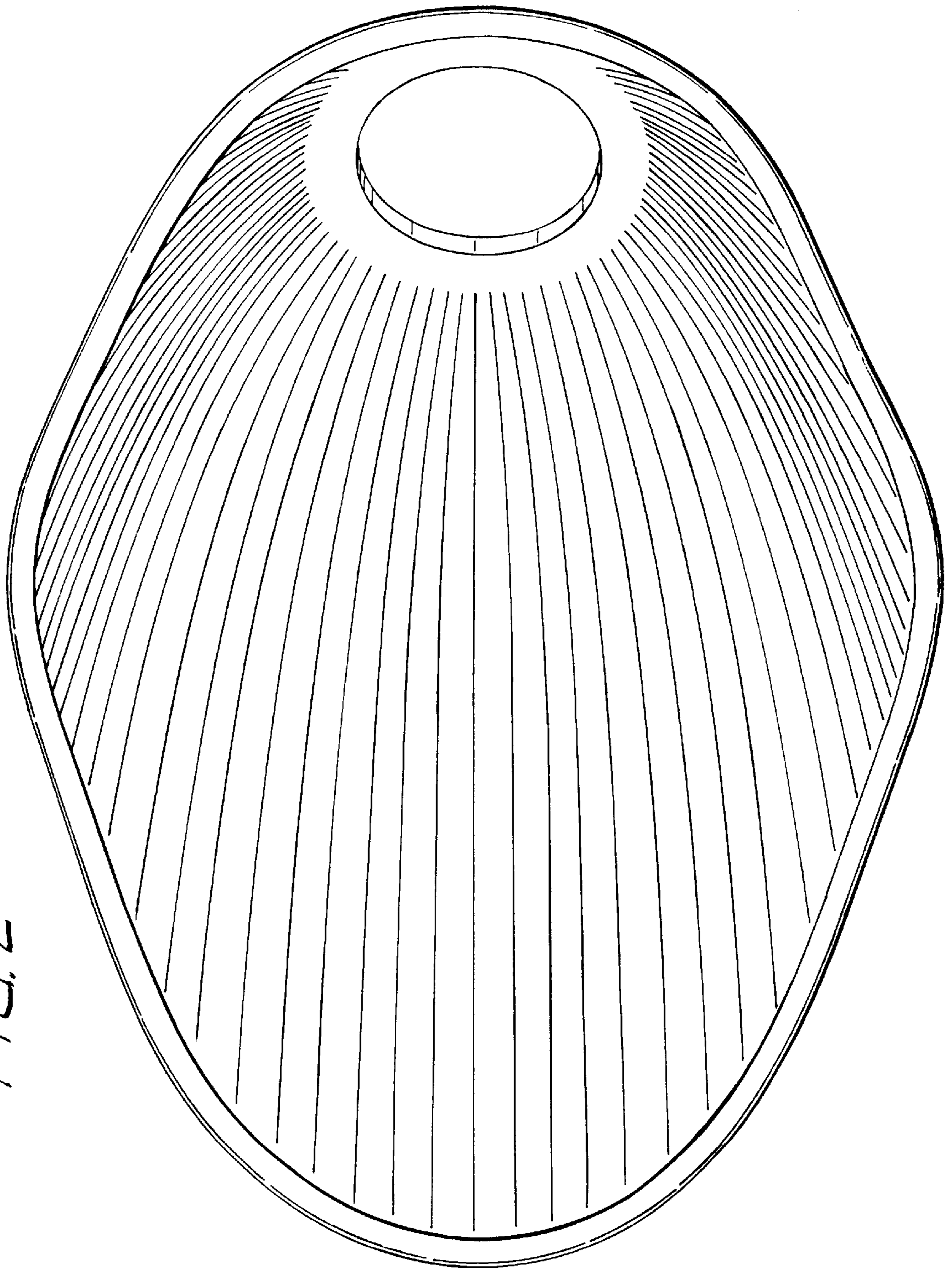


FIG. 1

FIG. 2



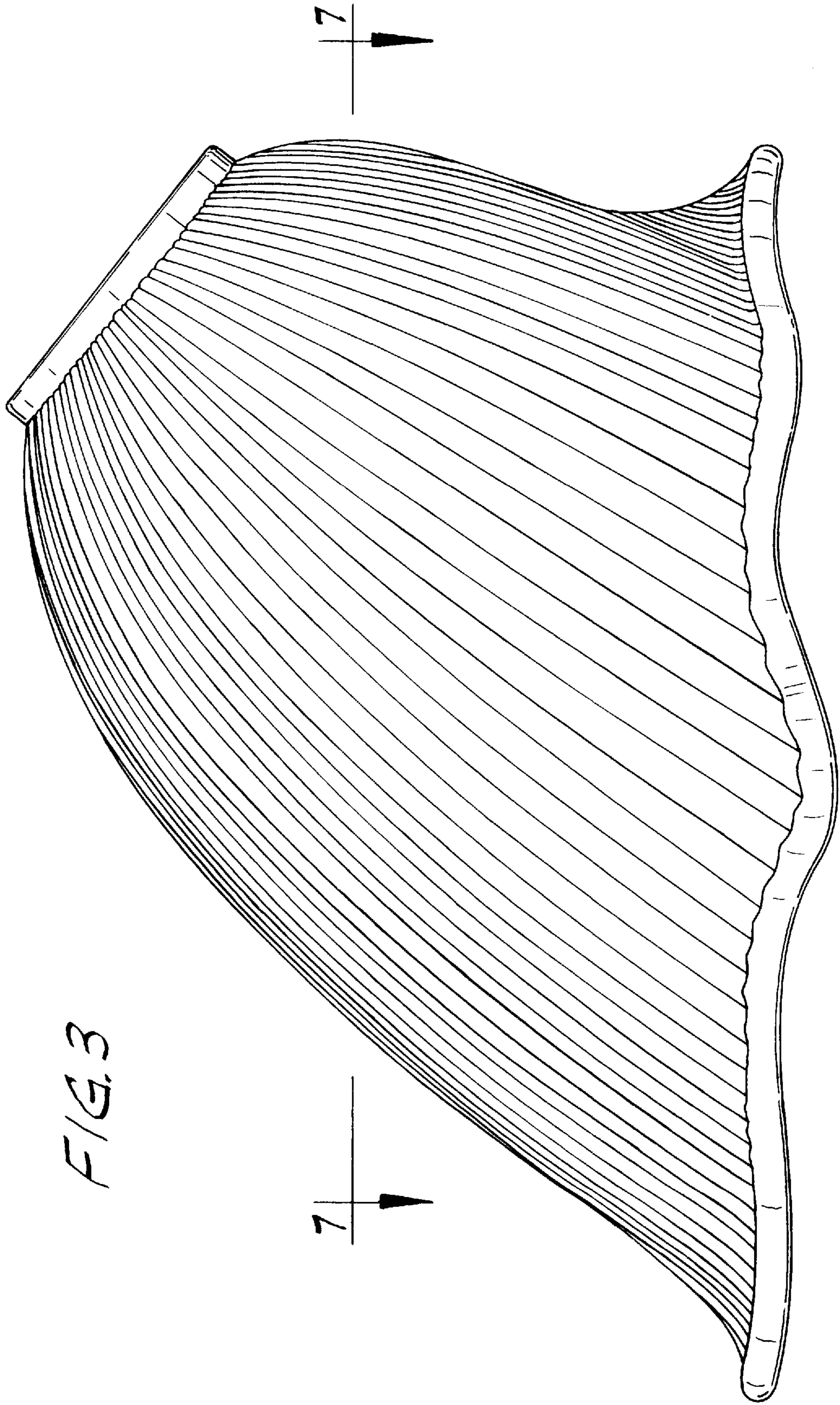


FIG. 3

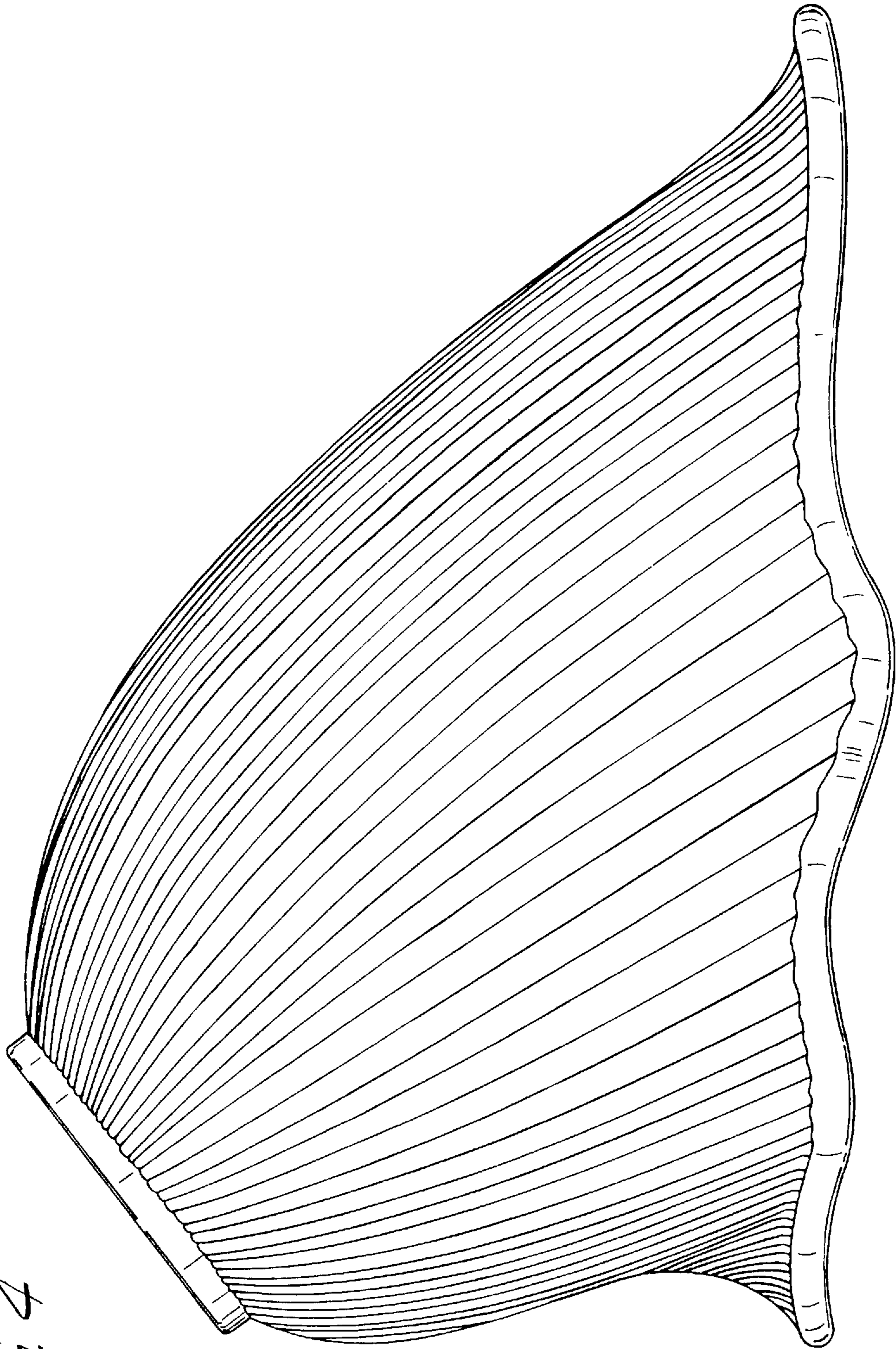


FIG. 4

FIG. 5

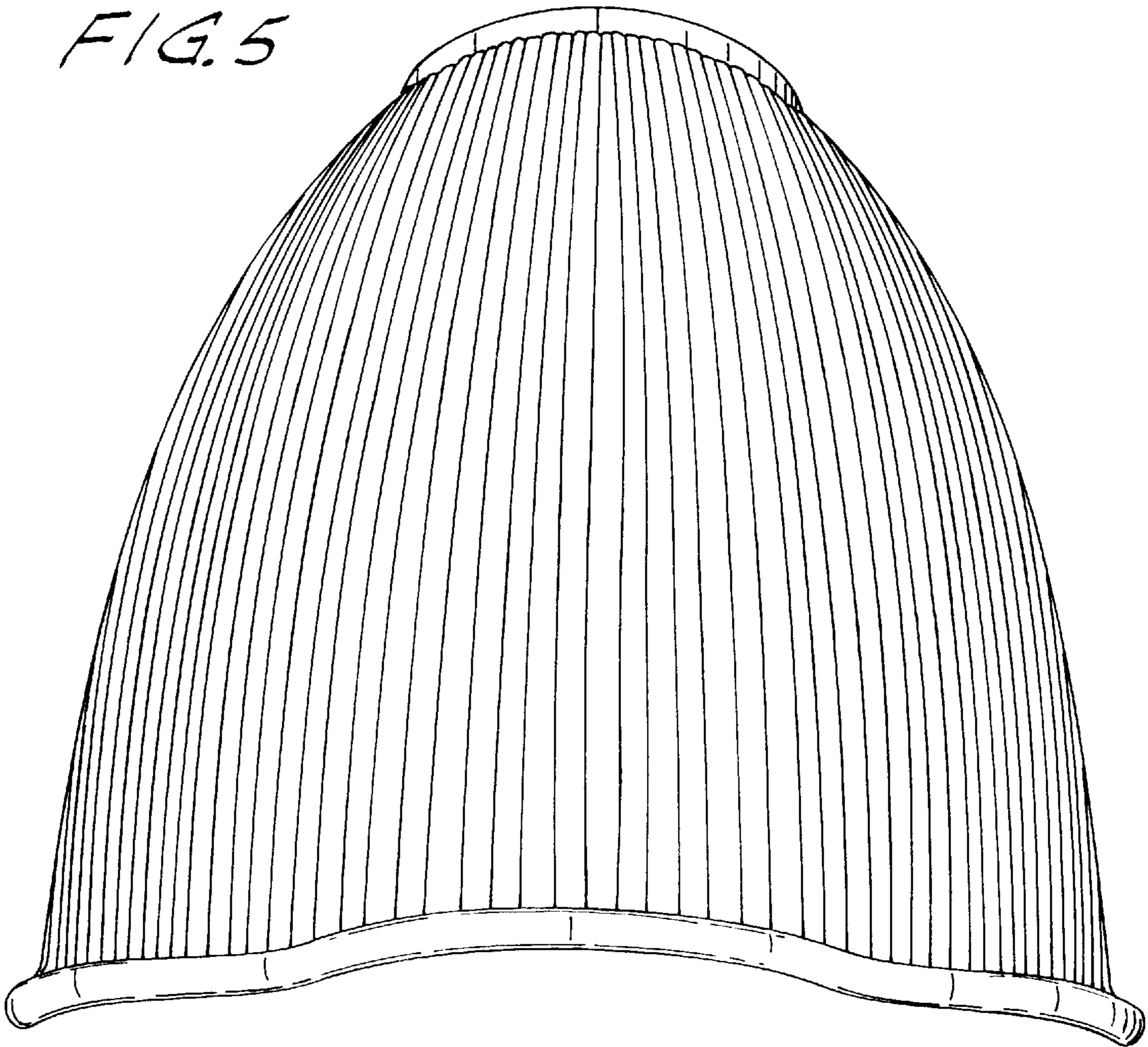
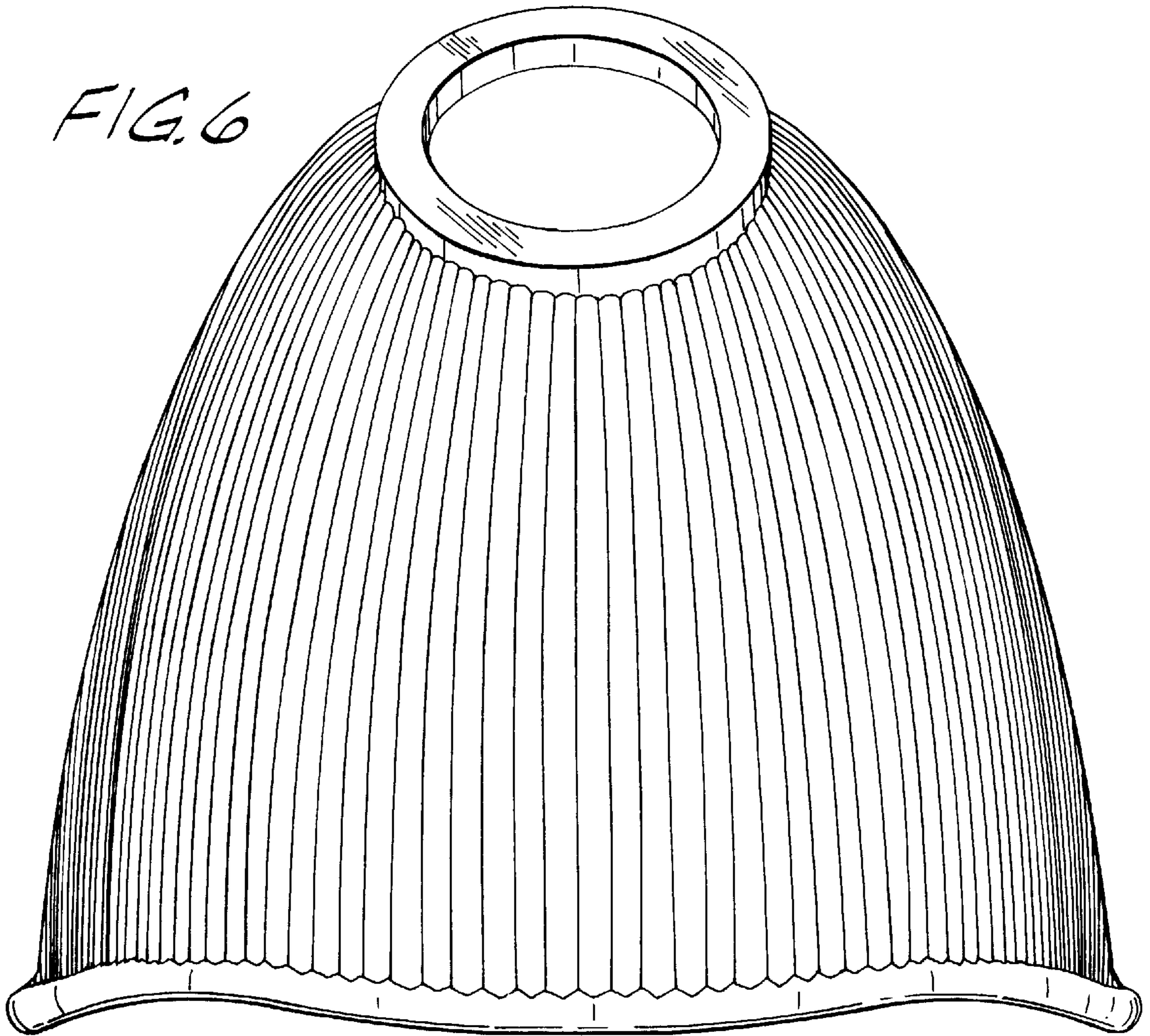


FIG. 6



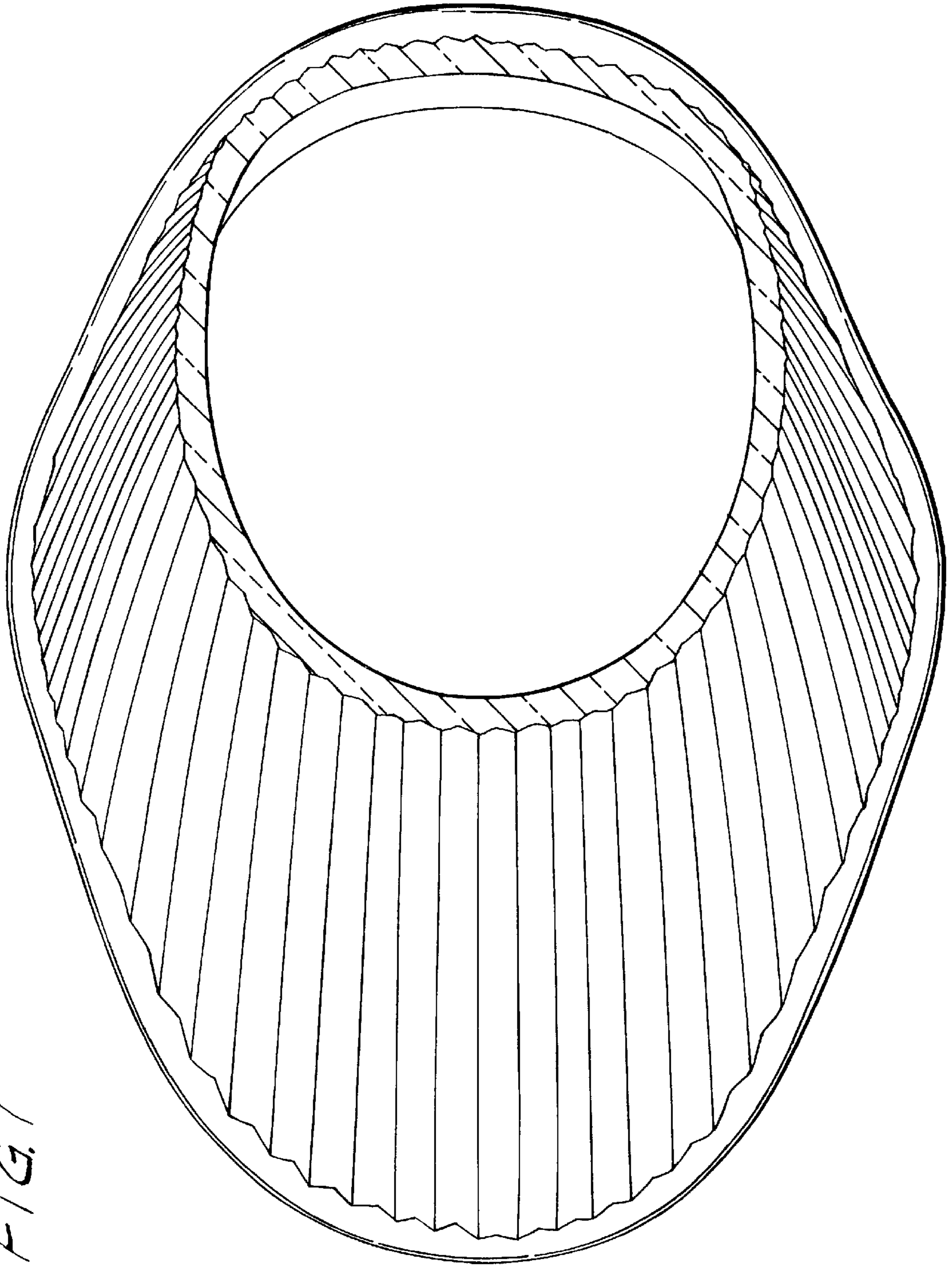


FIG. 7