



US00D404168S

United States Patent [19]

[11] **Patent Number: Des. 404,168**

Dolan

[45] **Date of Patent: **Jan. 12, 1999**

[54] **PENDANT LIGHTING FIXTURE**

[76] Inventor: **Patrick S. Dolan**, 1901 NW. Upshur, Portland, Oreg. 97209

[**] Term: **14 Years**

[21] Appl. No.: **81,647**

[22] Filed: **Jan. 7, 1998**

[51] **LOC (6) Cl. 26-05**

[52] **U.S. Cl. D26/88**

[58] **Field of Search D26/72, 80-92;**
362/147, 404-408

Kalco Lighting, 6355 S. Windy St No.3, Las Vegas, NV 89119, Catalog X97, 1997 p. 68, Model PS7225F.

Forecast Lighting, 415 W. Walnut, Compton, CA 90220, Brochure No. 27340, 1993 p. 49, Model 5468-57.

Minka-Lavery Lighting, 11151 Bradford Circle, Corona, CA 91720, Catalog ML95-1, 1995 p. 105, Model L110.

Illuminating Experiences, Inc., 233 Cleveland Ave, Highland, NJ 08904, Catalog 1992, Traditional Collection, p. 27, Model 1772-PB-4.

Forte Lighting, 14550 Miller Ave, Fontana, CA 92336, Catalog 791, 1991 p. 54, Model 2100-2.

Primary Examiner—Susan J. Lucas

[57] **CLAIM**

The ornamental design for a pendant lighting fixture, as shown and described.

[56] **References Cited**

U.S. PATENT DOCUMENTS

D. 367,937 3/1996 Dolan D26/88

OTHER PUBLICATIONS

Lite Kit Glassware catalog, p. 7, globe #1006, Aug. 1995.

Progress Lighting catalog, p. 15, hanging lamp #P5059-10, globe, 1992.

Murray Feiss, 125 Rose Feiss Bl., Bronx, NY 10454, Catalog FX1-97, 1997 p. FX-51, Model P1042.

DESCRIPTION

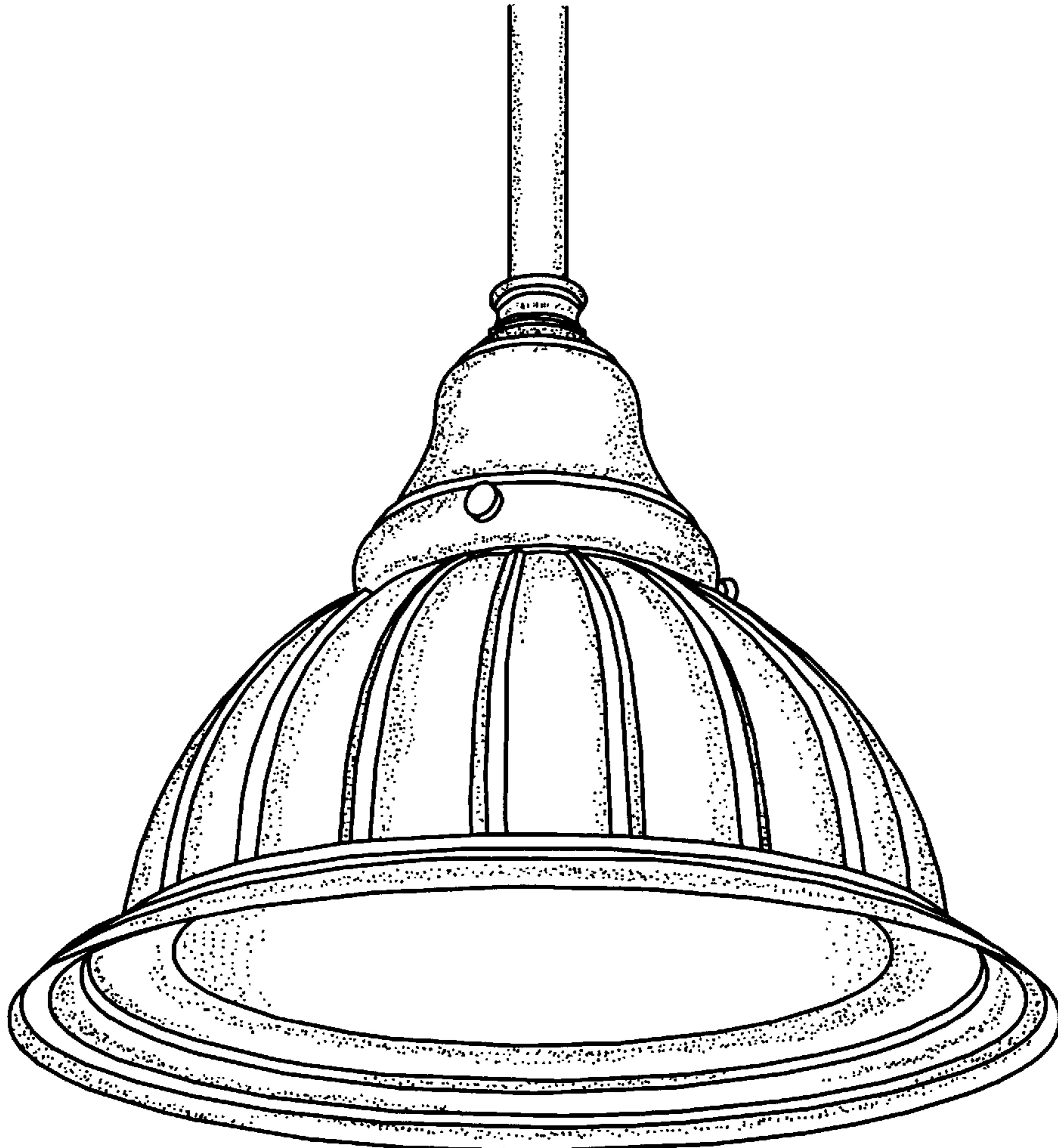
FIG. 1 is a perspective view thereof;

FIG. 2 is an elevational view thereof, all sides being identical;

FIG. 3 is a top plan view thereof; and,

FIG. 4 is a bottom plan view thereof.

1 Claim, 4 Drawing Sheets



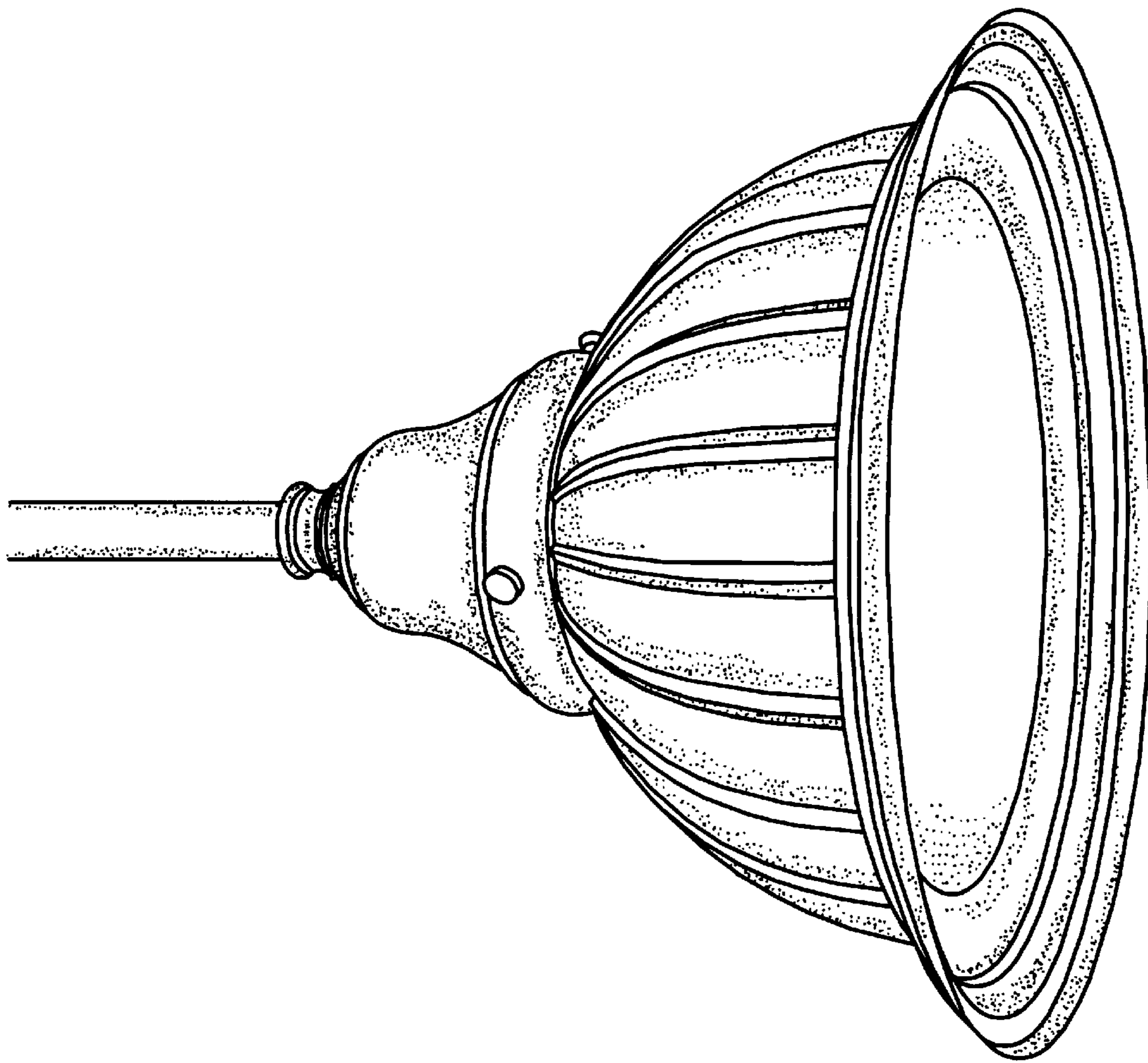


FIG. 1

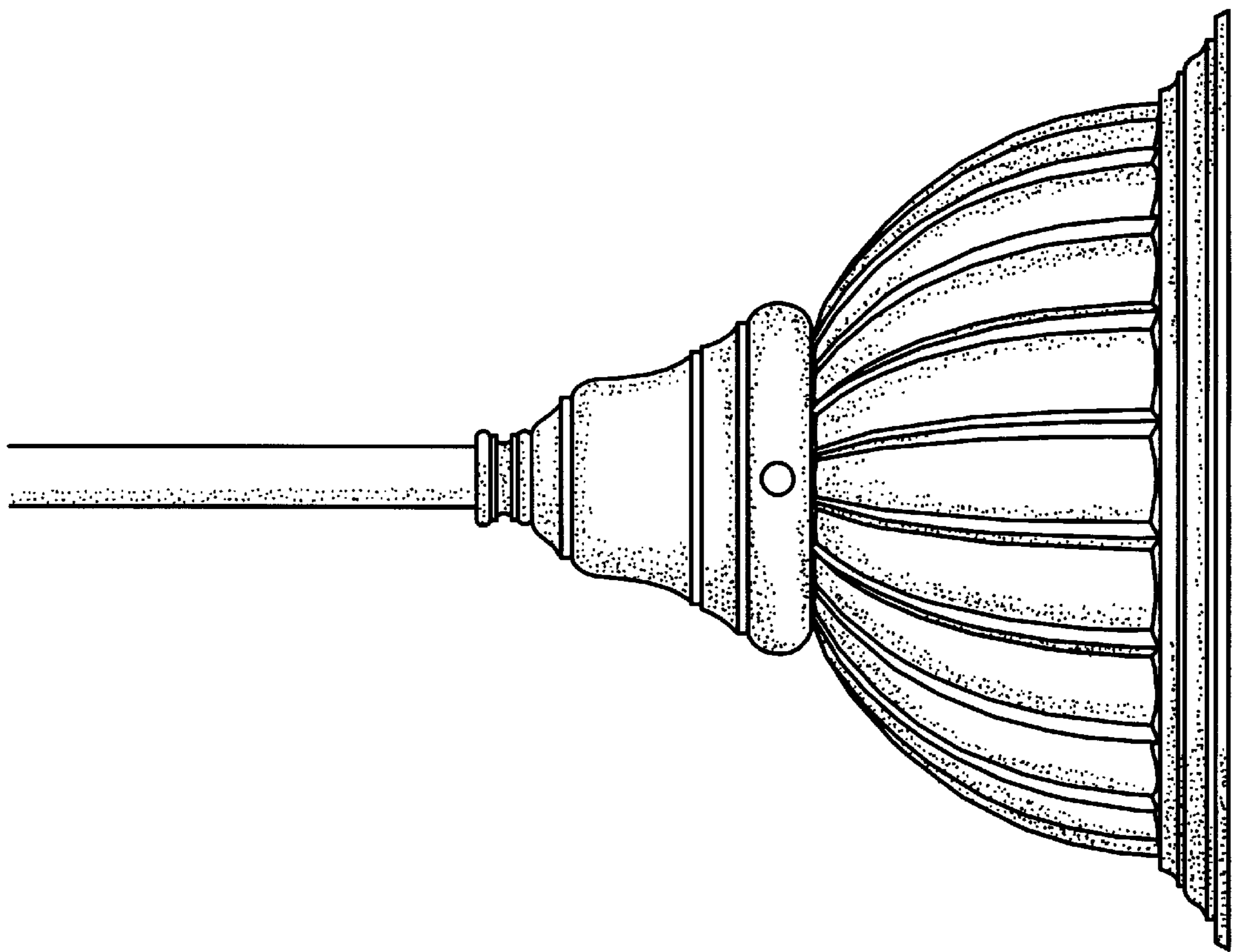


FIG. 2

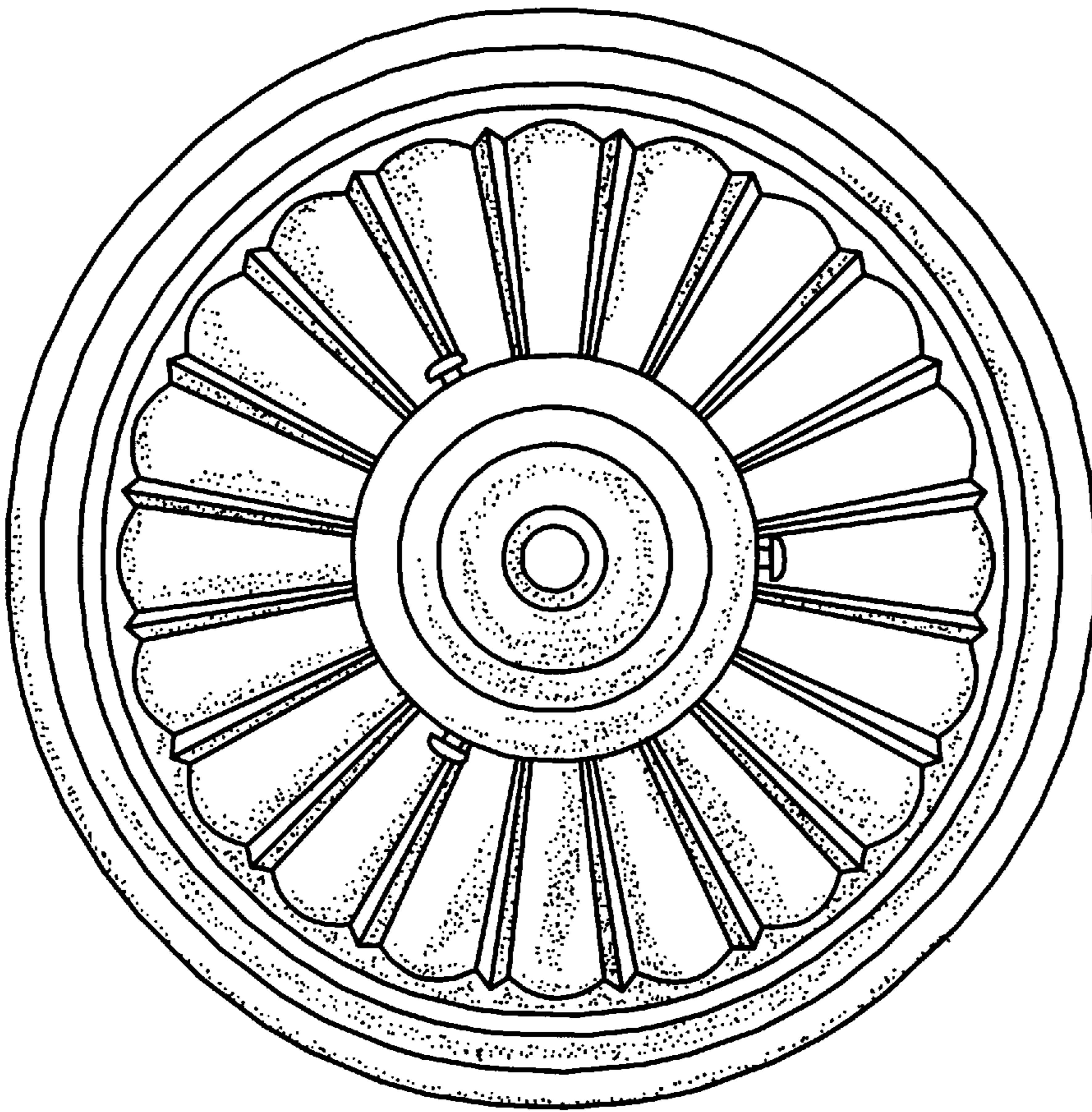


FIG. 3

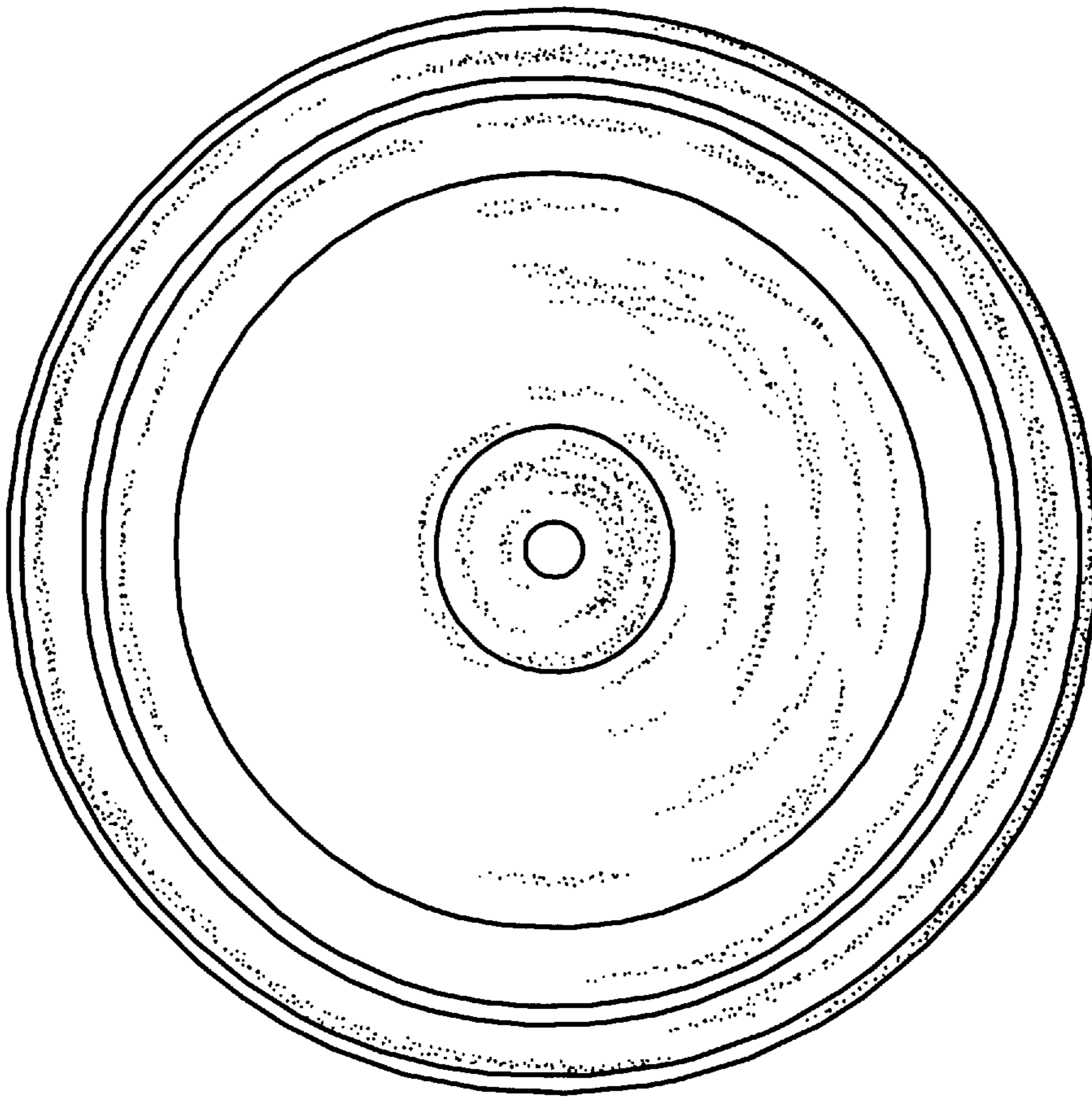


FIG. 4