



US00D404167S

# United States Patent [19]

[11] **Patent Number: Des. 404,167**

**Dolan**

[45] **Date of Patent: \*\*Jan. 12, 1999**

[54] **CEILING MOUNTED LIGHT FIXTURE**

[76] Inventor: **Patrick S. Dolan**, 1901 NW. Upshur, Portland, Oreg. 97209

[\*\*] Term: **14 Years**

[21] Appl. No.: **81,646**

[22] Filed: **Jan. 7, 1998**

[51] **LOC (6) Cl. .... 26-05**

[52] **U.S. Cl. .... D26/88**

[58] **Field of Search ..... D26/72, 80-92;  
362/147, 404-408**

Murray Feiss, 125 Rose Feiss Bl., Bronx, NY 10454, Catalog FX1-96, 1996, p. FX-98, Model F1413.

Minka-Lavery Lighting, 1151 Brdford Circle, Corona, CA 91720, Catalog ML95-1, 1995, p. 127, Model 1031-22.

Artcraft, P.O. Box 1526, E. Service Rd, Champlain, NY 12919, Catalog 1997, p. 16, Model Ac2711.

Justice Design Group, Inc. lighting catalog, ceiling lamp no. 6820, Jun. 1996.

*Primary Examiner*—Susan J. Lucas

## [57] CLAIM

The ornamental design for a ceiling mounted light fixture, as shown and described.

## [56] References Cited

### U.S. PATENT DOCUMENTS

D. 371,623 7/1996 Benghozi ..... D26/88  
D. 394,126 5/1998 Dolan ..... D26/134

### OTHER PUBLICATIONS

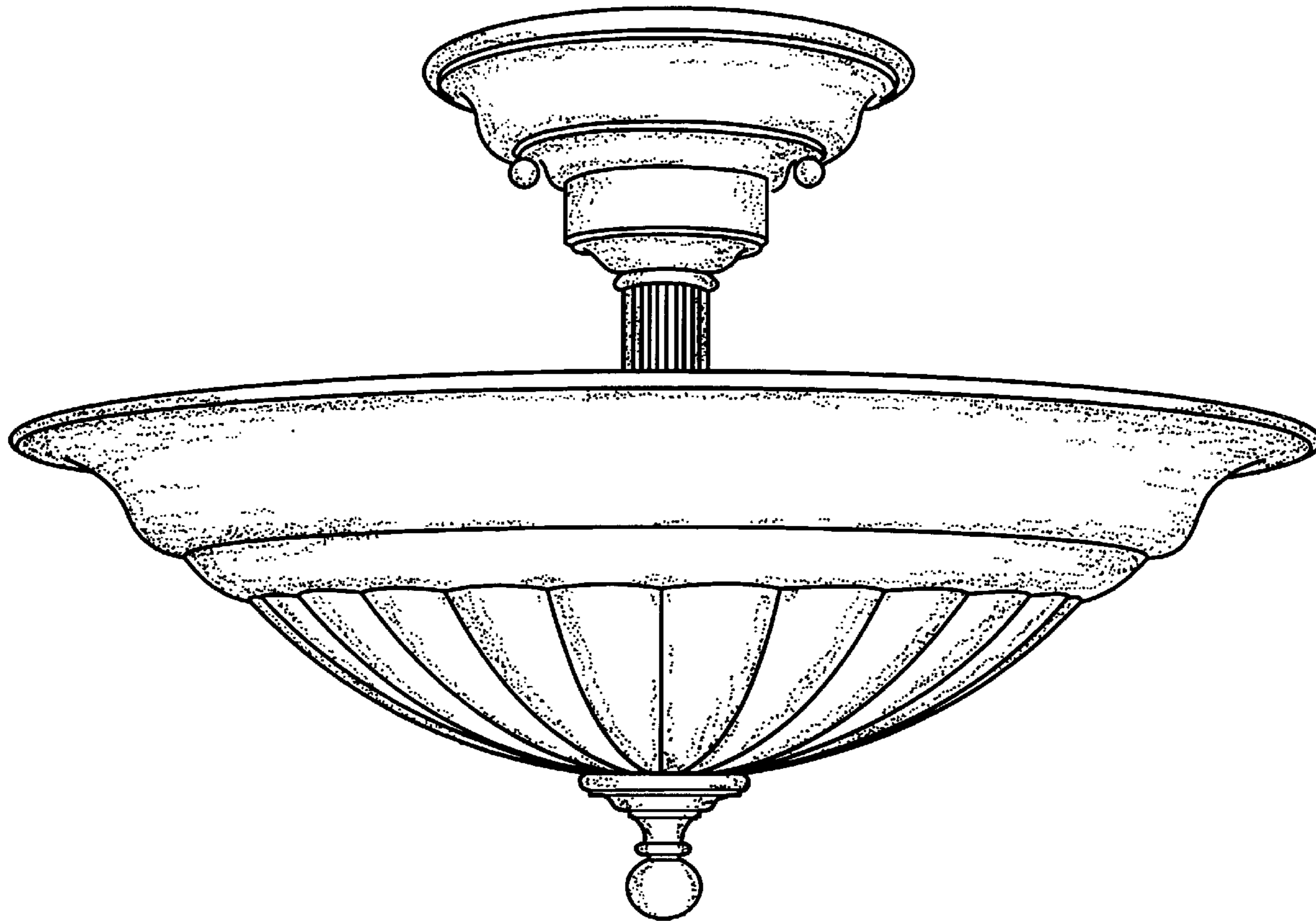
Quoizel, 590 Old Willets Path, Hauppauge, NY 11788, Jul. 1997 Catalog Supplement, p. 3, Model FT 1270JG.

Hilite Mfg Co., 13450 Monte Vista Ave., Chino, CA 91710, Catalog 1991, p. 50, Model 48018.

## DESCRIPTION

FIG. 1 is a perspective view thereof;  
FIG. 2 is an elevational view thereof, all sides being identical;  
FIG. 3 is a top plan view thereof; and,  
FIG. 4 is a bottom plan view thereof.

**1 Claim, 4 Drawing Sheets**



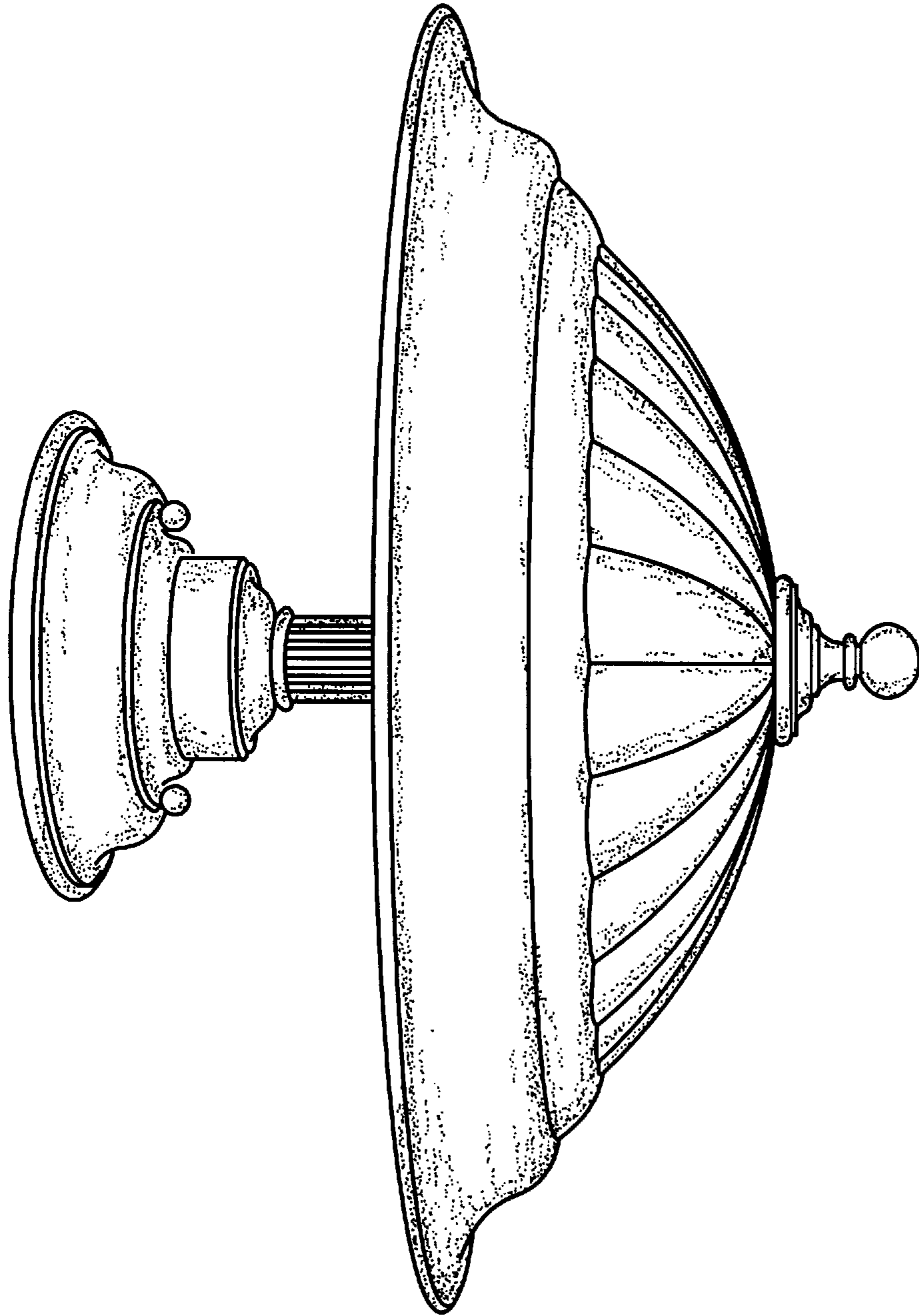


FIG. 1

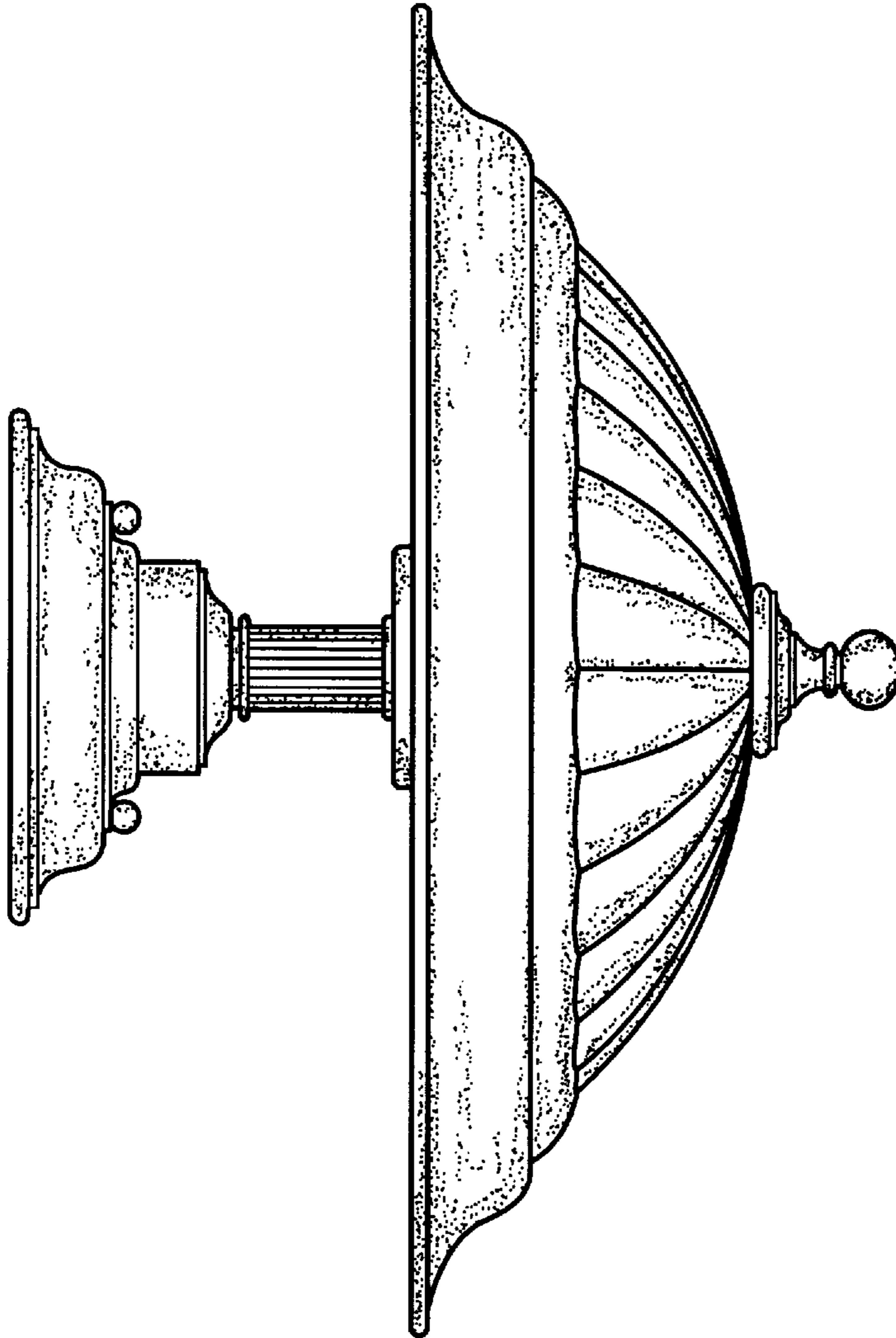


FIG. 2

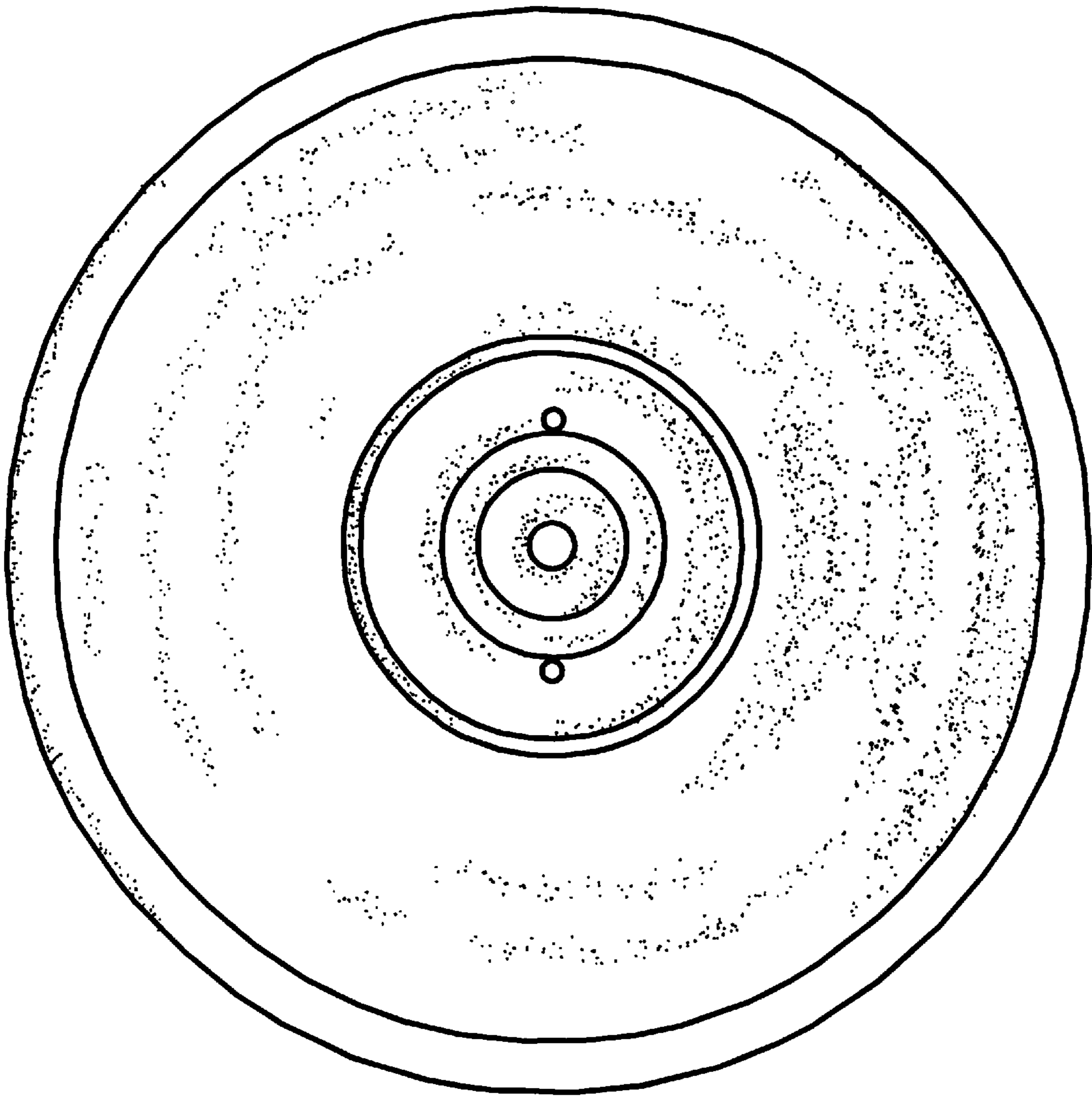


FIG. 3

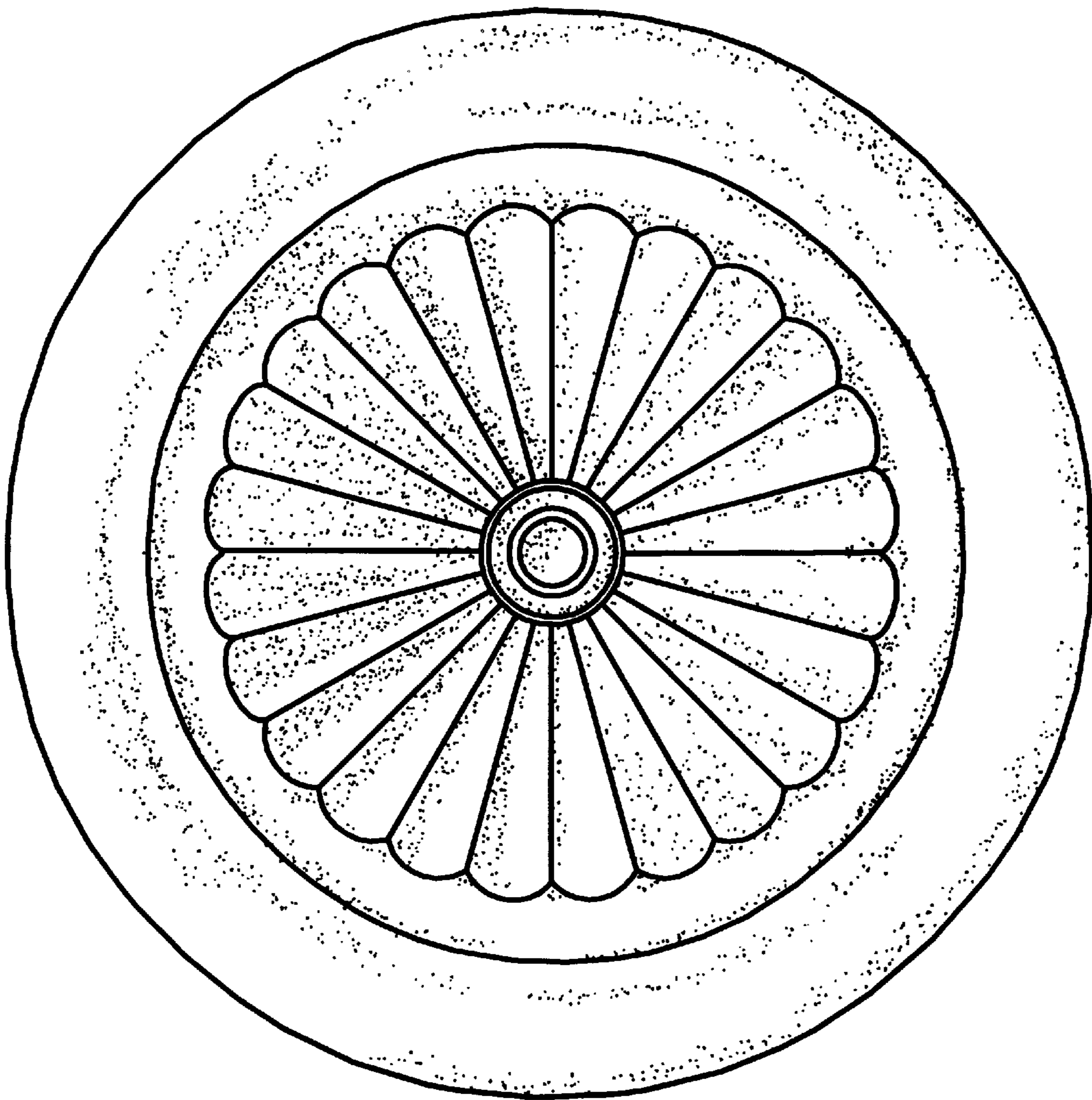


FIG. 4