



US00D404165S

United States Patent [19]
Vakil

[11] **Patent Number: Des. 404,165**

[45] **Date of Patent: **Jan. 12, 1999**

[54] **OUTDOOR LIGHTING FIXTURE**

[75] Inventor: **Usman Vakil**, Walnut, Calif.

[73] Assignee: **Lights of America, Inc.**, Walnut, Calif.

[**] Term: **14 Years**

[21] Appl. No.: **75,854**

[22] Filed: **Aug. 29, 1997**

[51] **LOC (6) Cl.** **26-05**

[52] **U.S. Cl.** **D26/85; D26/67**

[58] **Field of Search** **D26/72, 80-92,**
D26/67; 362/147, 432, 310, 311, 364, 404-408,
431

[56] **References Cited**

PUBLICATIONS

Domus magazine, p. 23, luminaire, Serie 9620, 1989.
Prizma lighting catalog, p. 28, wall lamp, top, center, 1988.
“Autosensor Fluorescent Outdoor Security Fixtures”, Lights
of America, L.A. Loa Security, 1-side, Created Dec. 1996,
1 of 5, rev. 4, Nov. 1997.

“Fluorescent Outdoor Lighting”, Lights of America, Form
FOL96, copyright 1996.

Product List Aug. 1997, “Lighting for a New Millennium”,
Lights of America, Form PL0897, copyright 1997.

Primary Examiner—Susan J. Lucas
Attorney, Agent, or Firm—Graham & James LLP

[57] **CLAIM**

The ornamental design for an outdoor lighting fixture, as
shown and described.

DESCRIPTION

FIG. 1 is a perspective view of an outdoor lighting fixture,
showing our new design;

FIG. 2 is a front view thereof;

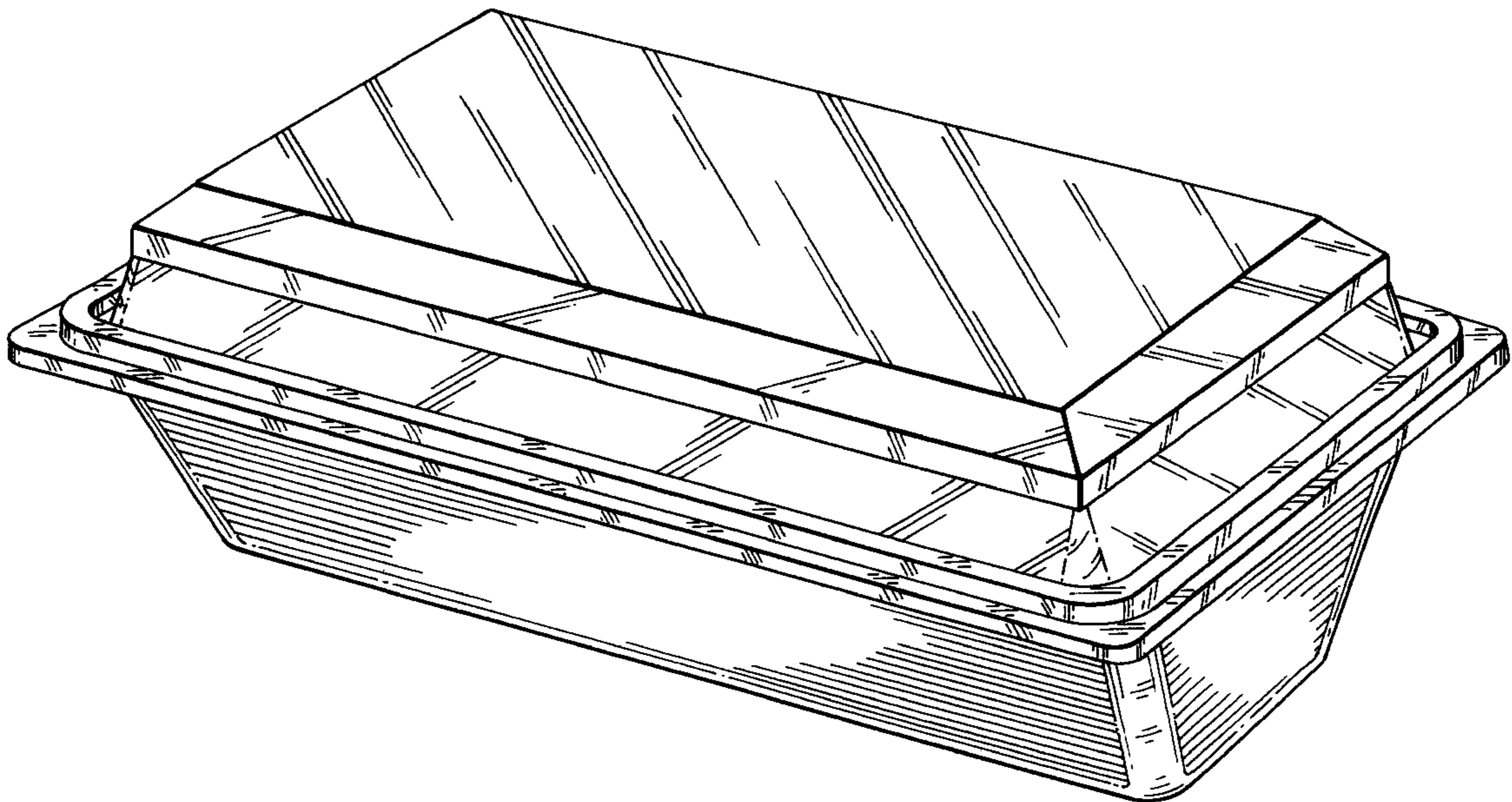
FIG. 3 is a bottom view thereof;

FIG. 4 is a back view thereof;

FIG. 5 is a side view thereof; and,

FIG. 6 is a top view thereof.

1 Claim, 3 Drawing Sheets



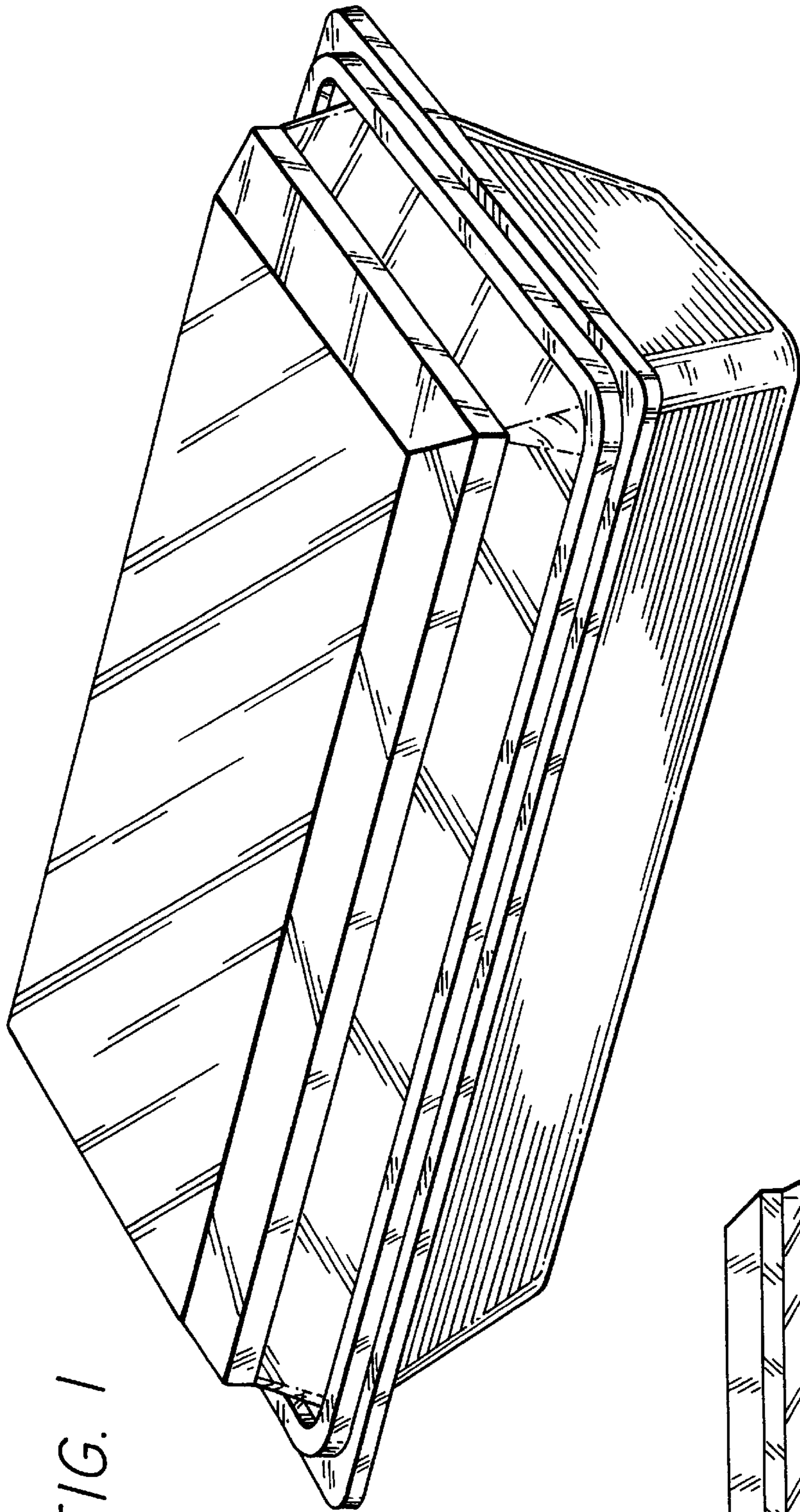


FIG. 1

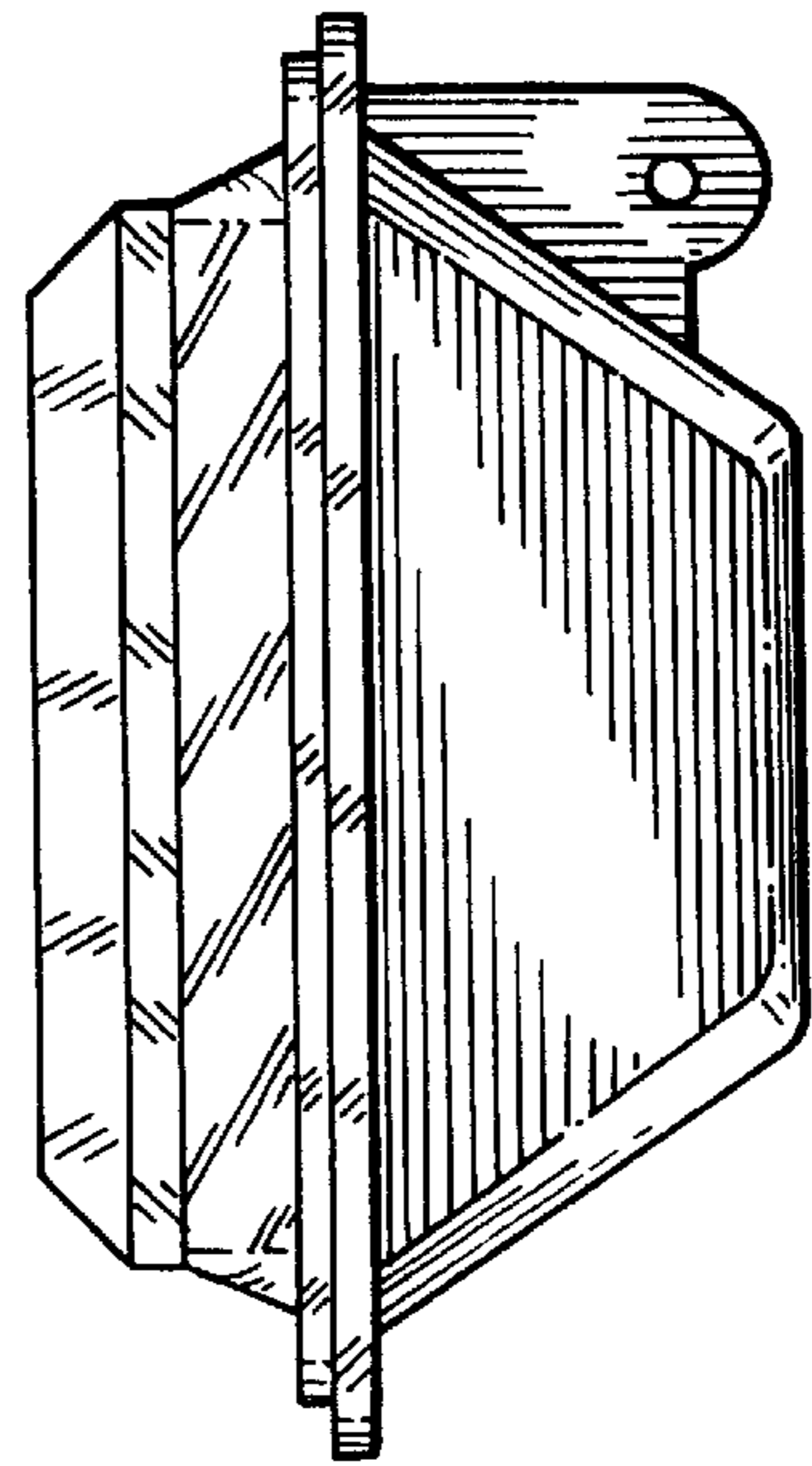


FIG. 6

FIG. 2

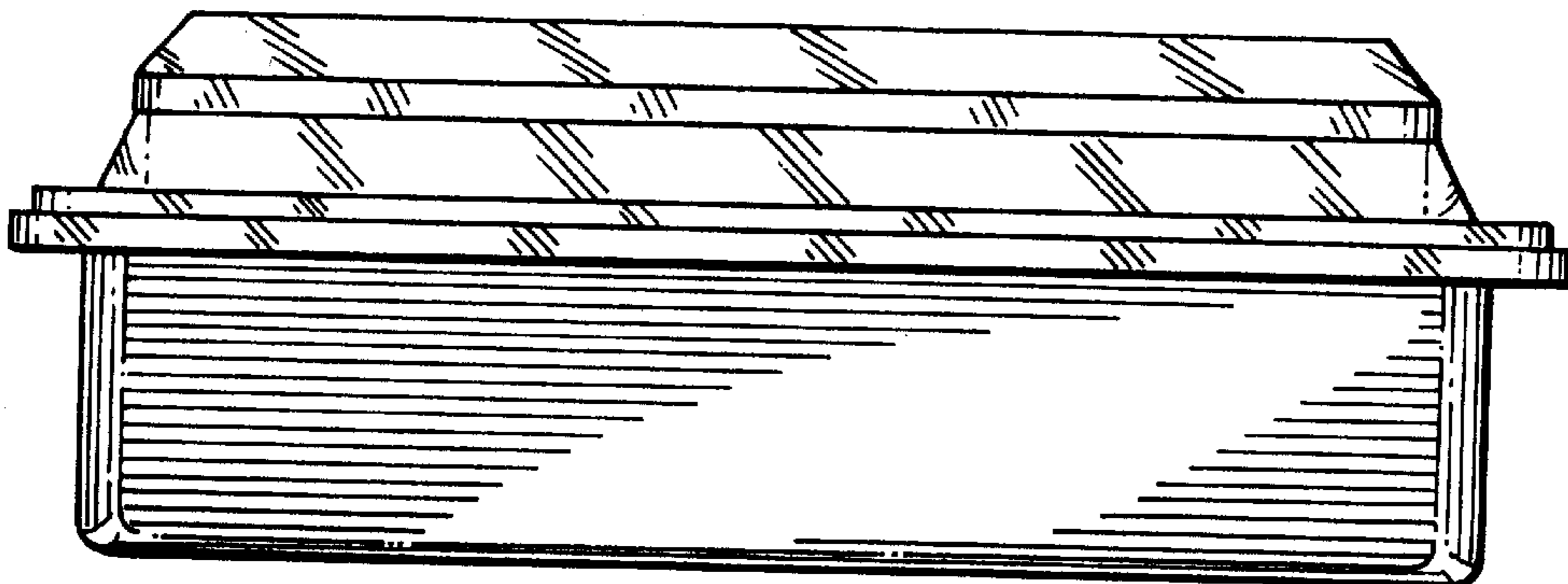
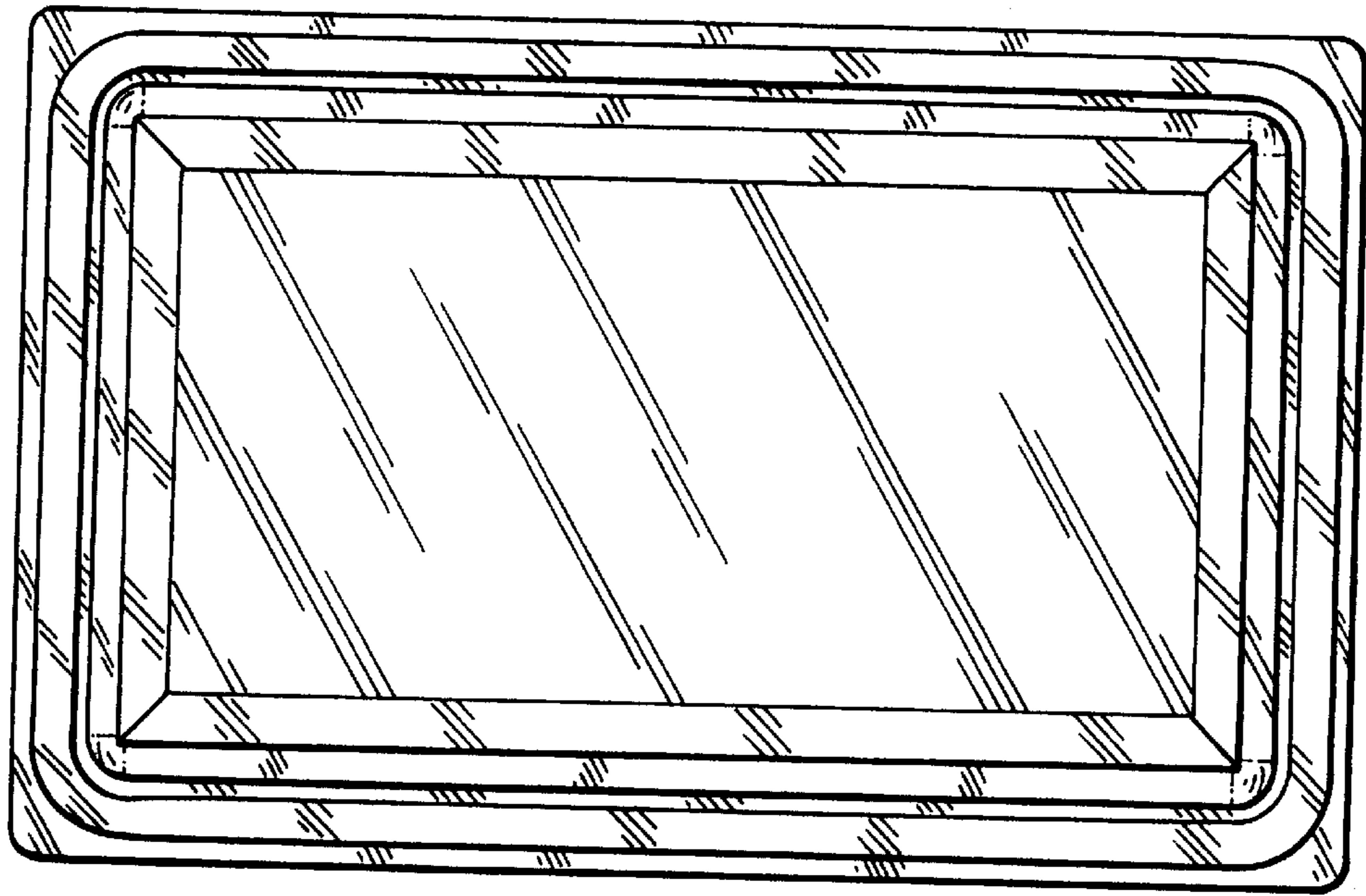


FIG. 3

FIG. 4

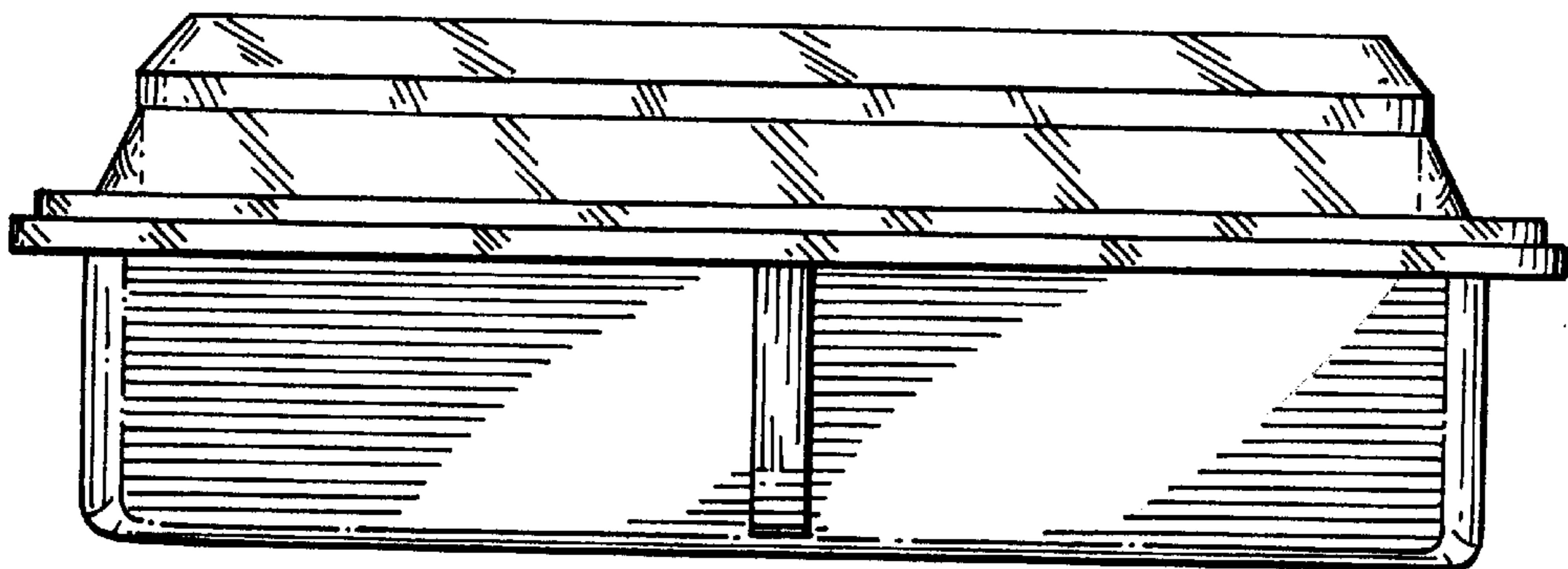
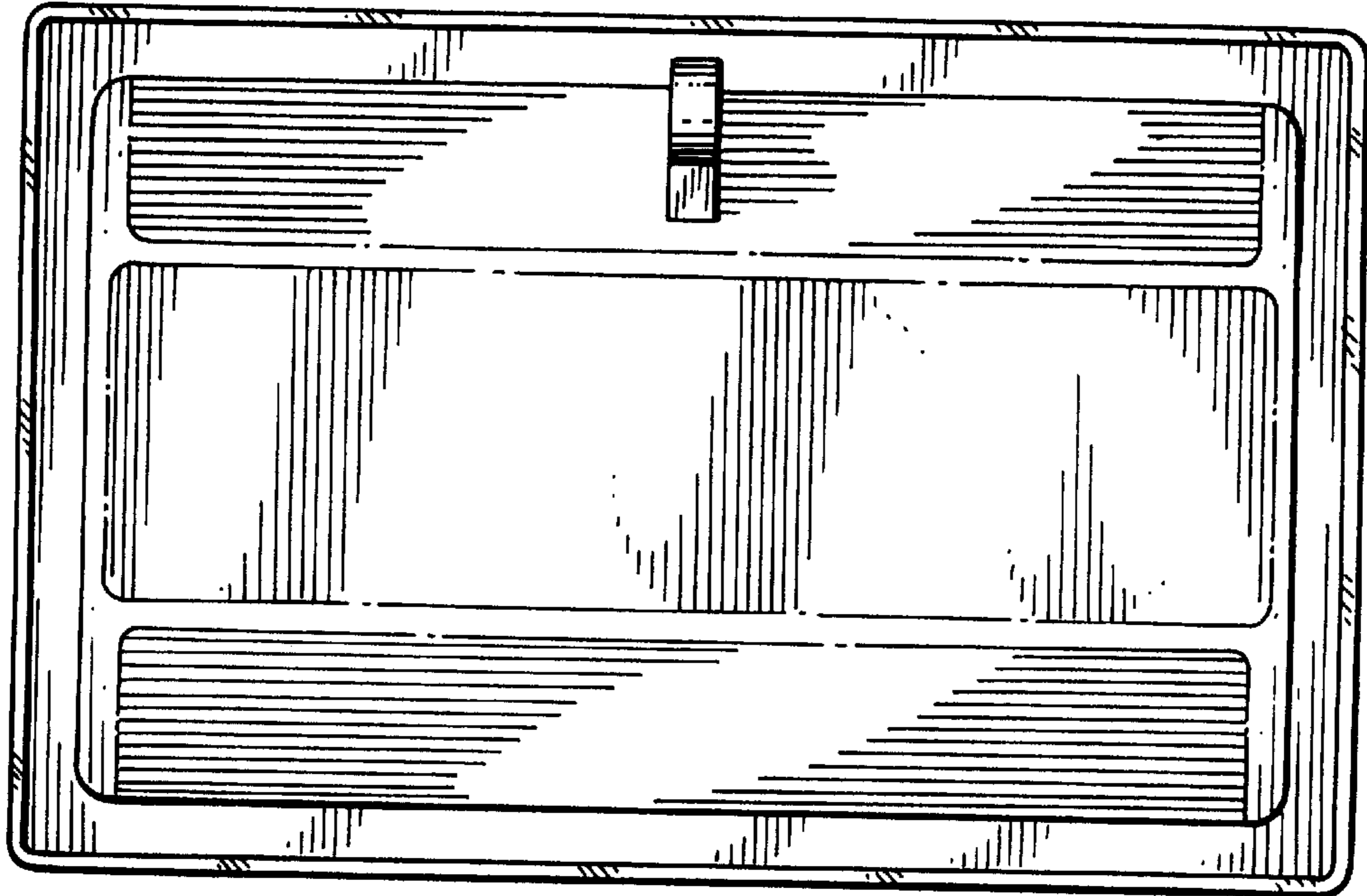


FIG. 5