

US00D404164S

United States Patent [19]
Vakil

[11] **Patent Number: Des. 404,164**

[45] **Date of Patent: **Jan. 12, 1999**

[54] **OUTDOOR LIGHTING FIXTURE**

[75] Inventor: **Usman Vakil**, Walnut, Calif.

[73] Assignee: **Lights of America, Inc.**, Walnut, Calif.

[**] Term: **14 Years**

[21] Appl. No.: **75,838**

[22] Filed: **Aug. 29, 1997**

[51] **LOC (6) Cl.** **26-05**

[52] **U.S. Cl.** **D26/67; D26/67**

[58] **Field of Search** **D26/72, 80-92,**
D26/67; 362/147, 432, 404, 405, 364, 310,
311, 431

[56] **References Cited**

PUBLICATIONS

Domus magazine, p. 23, luminaire, Serie 9620, Group 2900, 1989.

Prizma lighting catalog, p. 28, wall lamp, top, center Group 2900, 1988.

“Autosensor Fluorescent Outdoor Security Fixtures”, Lights of America, L.A. LOA Security, 1-side, Created Dec. 1996, 1 of 5, rev. 4, Nov. 1997.

“Fluorescent Outdoor Lighting”, Lights of America, Form FOL96, copyright 1996.

Product List Aug. 1997, “Lighting for a New Millennium”, Lights of America, Form PL087, copyright 1997.

Primary Examiner—Susan J. Lucas

Attorney, Agent, or Firm—Graham & James LLP

[57] **CLAIM**

The ornamental design for an outdoor lighting fixture, as shown and described.

DESCRIPTION

FIG. 1 is a perspective view of an outdoor lighting fixture, showing our new design;

FIG. 2 is a front view thereof;

FIG. 3 is a top view thereof;

FIG. 4 is a back view thereof; and,

FIG. 5 is a side view thereof.

1 Claim, 3 Drawing Sheets

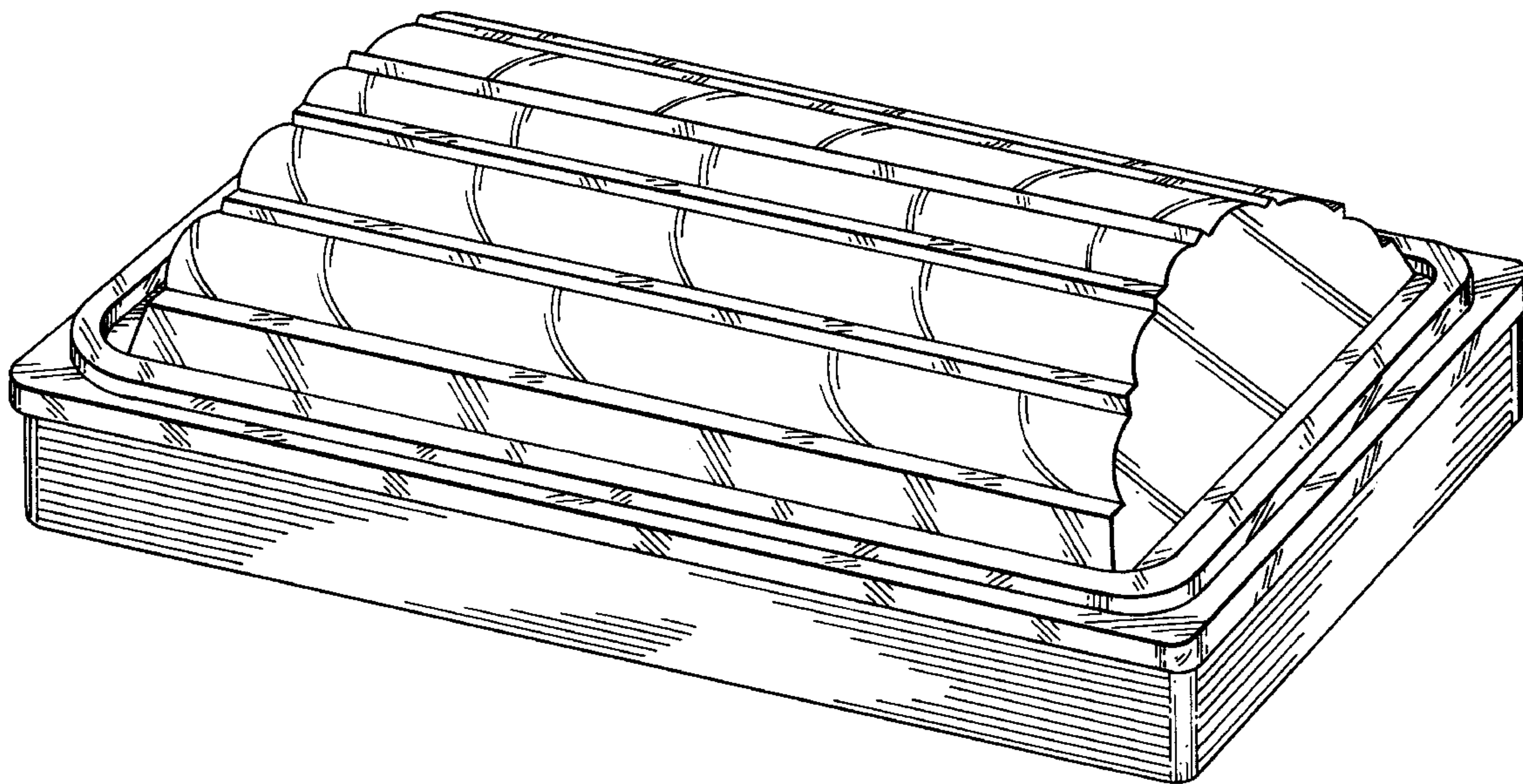


FIG. 1

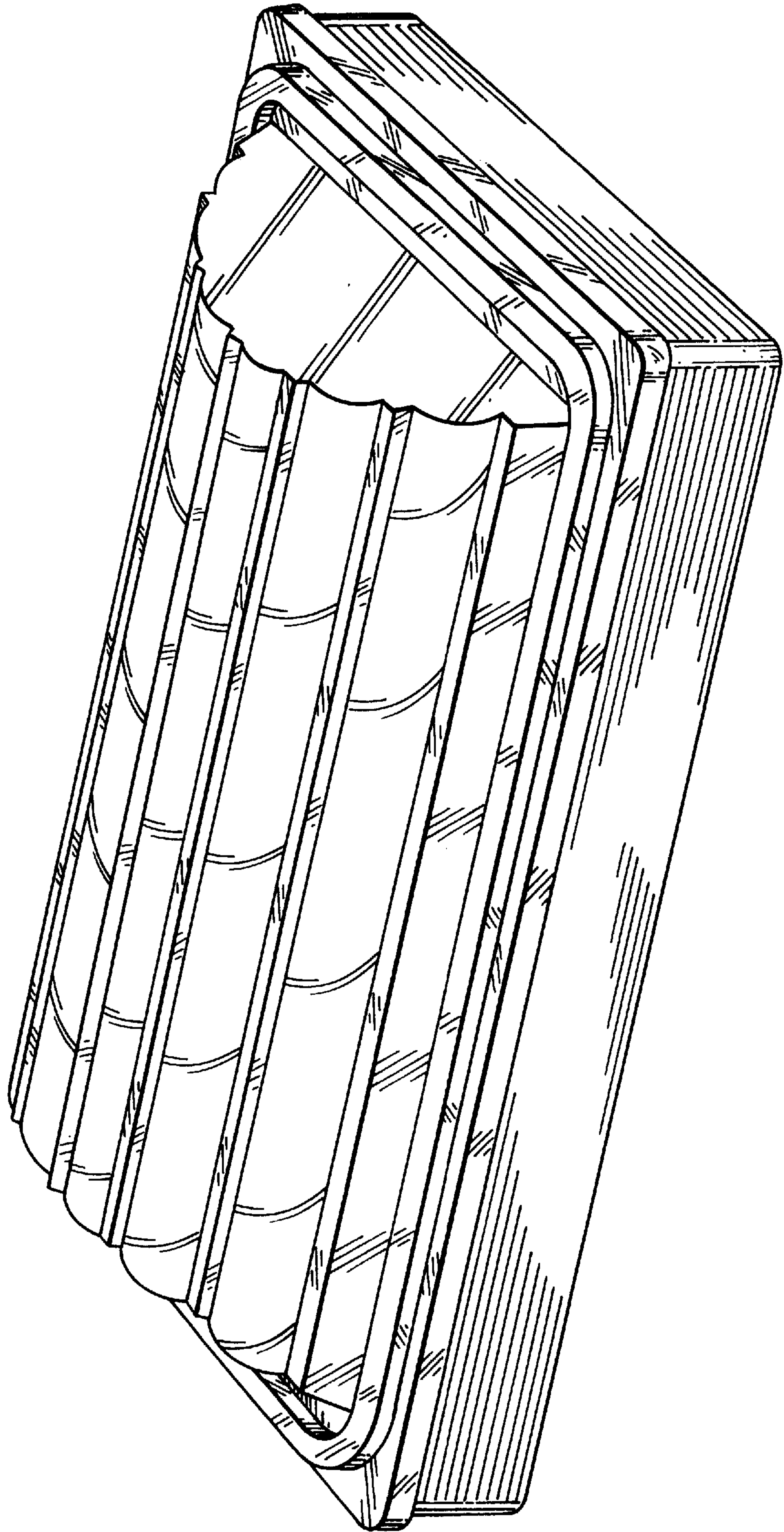


FIG. 2

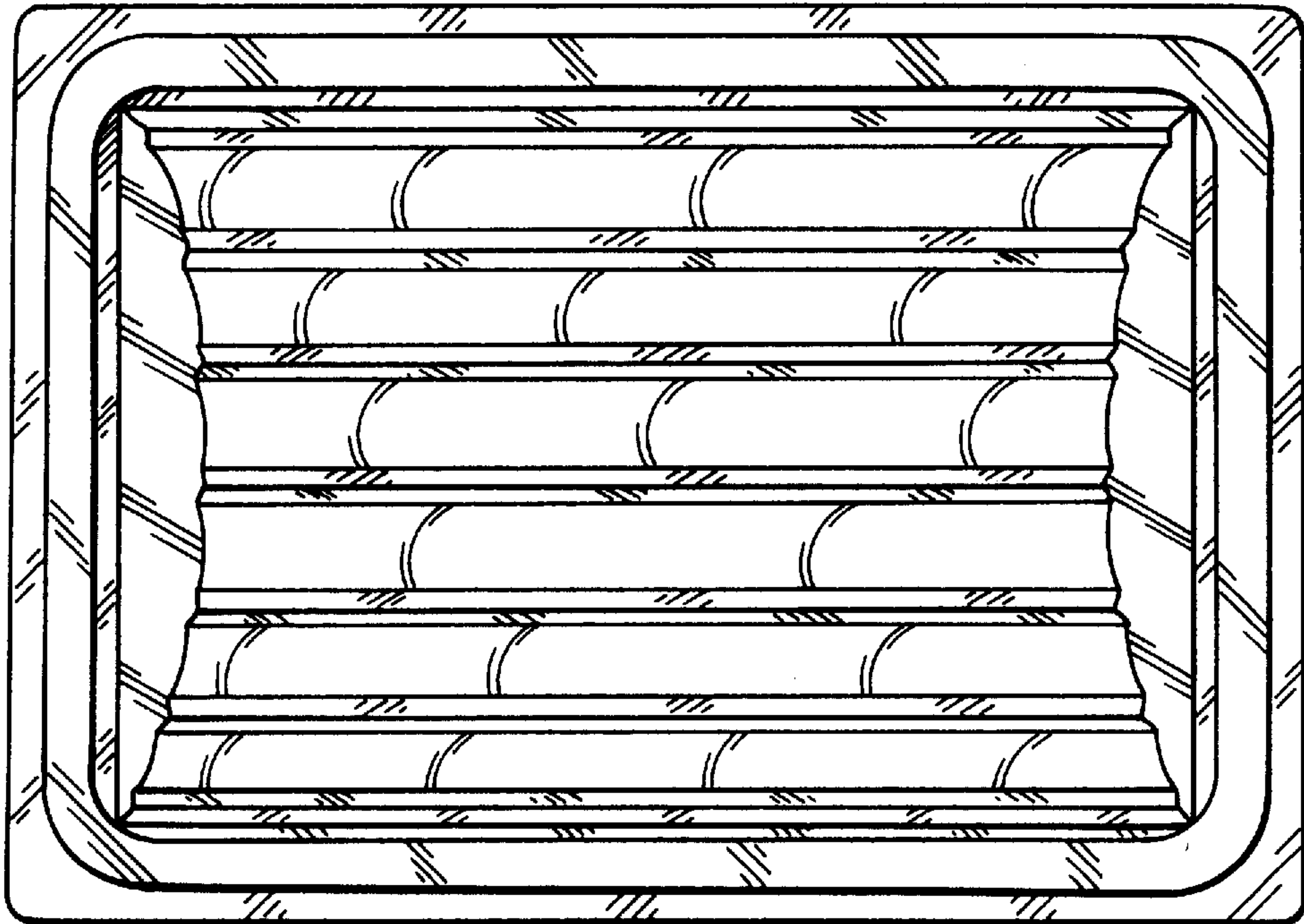


FIG. 3

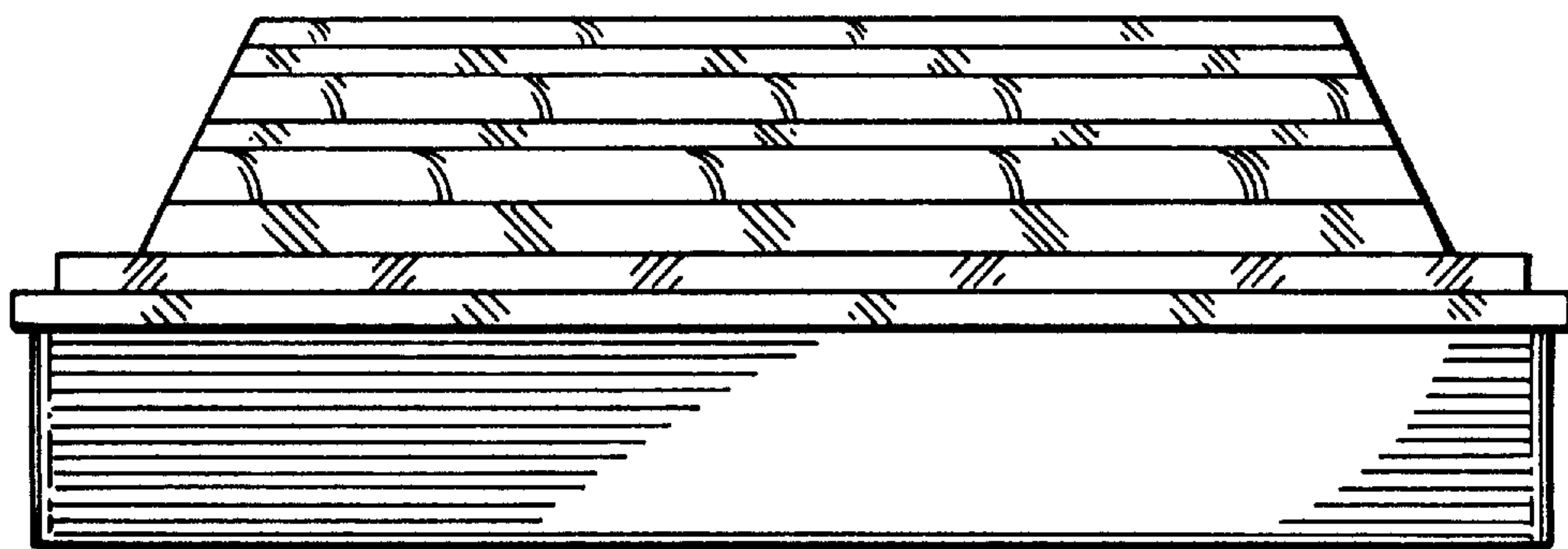


FIG. 4

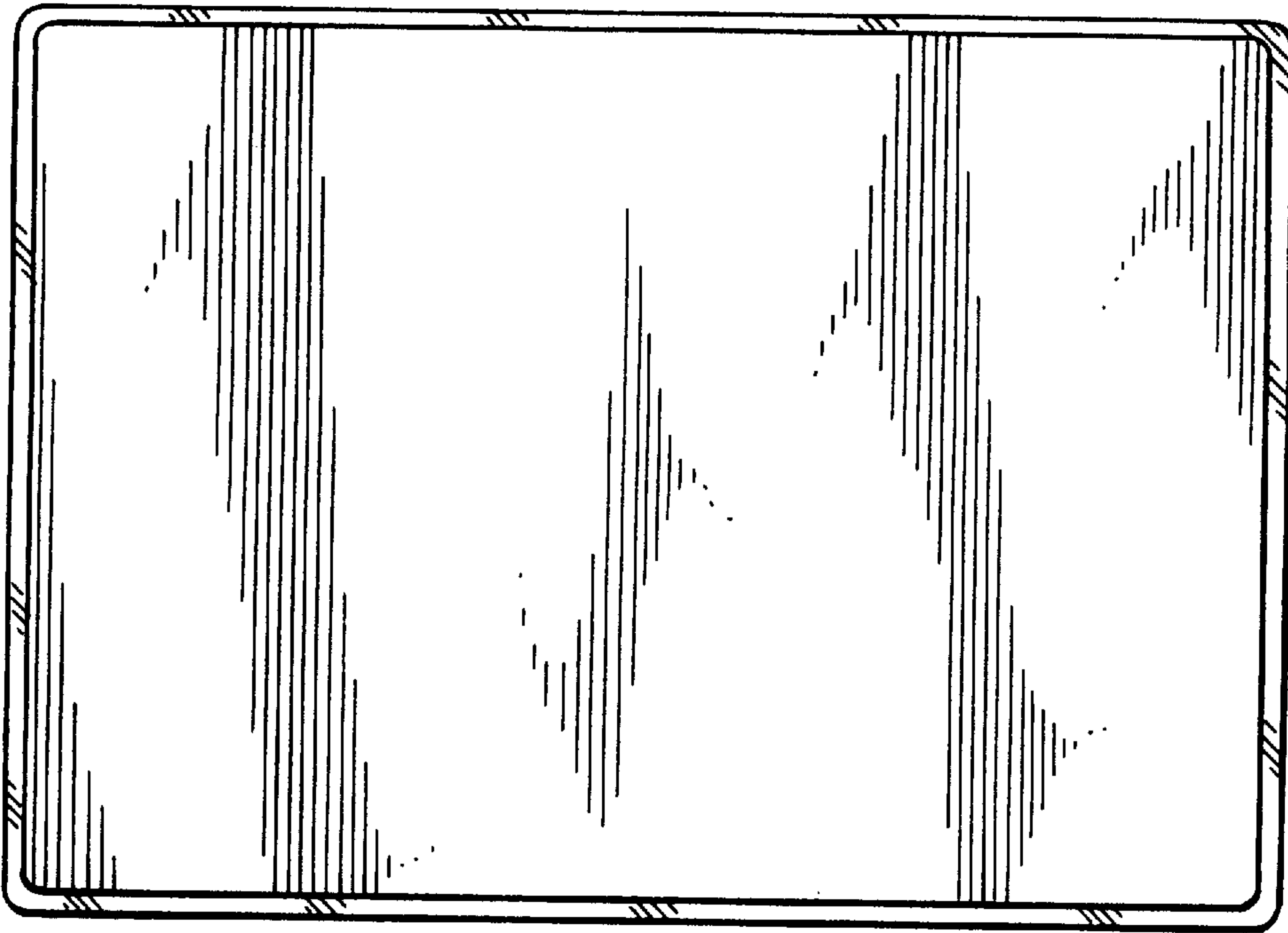


FIG. 5

