



US00D404158S

United States Patent [19] Yuen

[11] **Patent Number: Des. 404,158**

[45] **Date of Patent: **Jan. 12, 1999**

[54] **WATER RESISTANT LANTERN**

[75] Inventor: **John Se-Kit Yuen**, Kowloon, Hong Kong

[73] Assignee: **John Manufacturing Limited**, Kowloon, Hong Kong

[**] Term: **14 Years**

[21] Appl. No.: **84,345**

[22] Filed: **Mar. 2, 1998**

[30] **Foreign Application Priority Data**

Sep. 3, 1997 [GB] United Kingdom 2 068 746

[51] **LOC (6) Cl.** **26-02**

[52] **U.S. Cl.** **D26/50**

[58] **Field of Search** D26/37-50; 362/157, 362/158, 183-191, 194-208

[56] **References Cited**

U.S. PATENT DOCUMENTS

- D. 199,038 9/1964 Nicholl D26/50
- D. 338,975 8/1993 Yuen .
- D. 359,814 6/1995 Yuen .
- D. 360,043 7/1995 Inukai D26/48
- D. 372,549 8/1996 Zo D26/48

- D. 376,863 12/1996 Yuen .
- D. 389,594 1/1998 Poon D26/48
- D. 393,088 3/1998 Yuen D26/48

FOREIGN PATENT DOCUMENTS

- 2009654 9/1990 United Kingdom .
- 2031296 5/1993 United Kingdom .
- 2049027 7/1995 United Kingdom .

Primary Examiner—Marcus A. Jackson
Attorney, Agent, or Firm—Fay, Sharpe, Beall, Fagan, Minnich & McKee

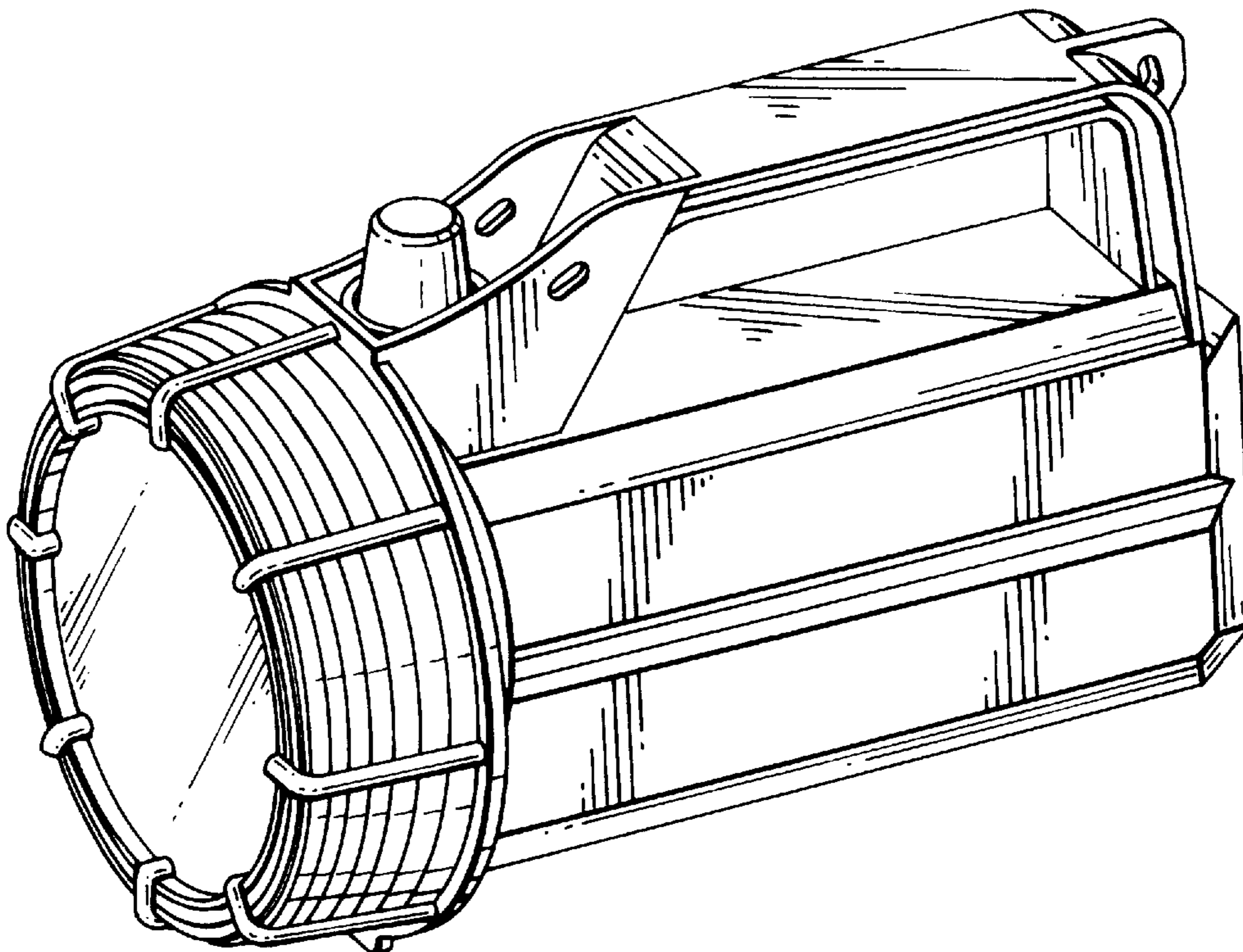
[57] **CLAIM**

The ornamental design for a water resistant lantern, as shown and described.

DESCRIPTION

FIG. 1 is a perspective view from side showing my new design;
FIG. 2 is a top plan view thereof;
FIG. 3 is a front elevational view thereof;
FIG. 4 is a underneath view thereof;
FIG. 5 is a rear elevational view thereof;
FIG. 6 is a left side elevational view thereof; and,
FIG. 7 is a right side elevational view thereof.

1 Claim, 3 Drawing Sheets



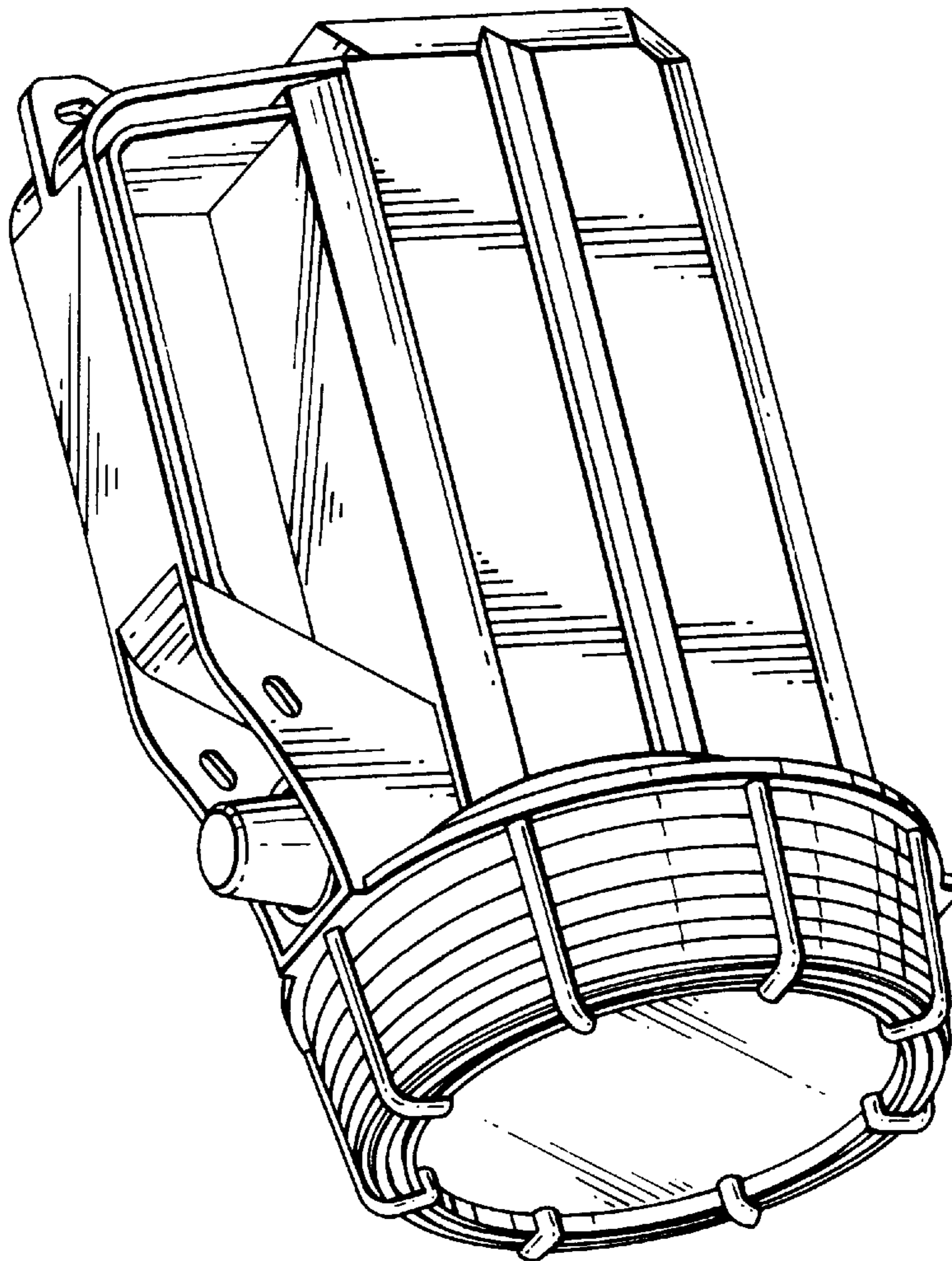


FIG. 1

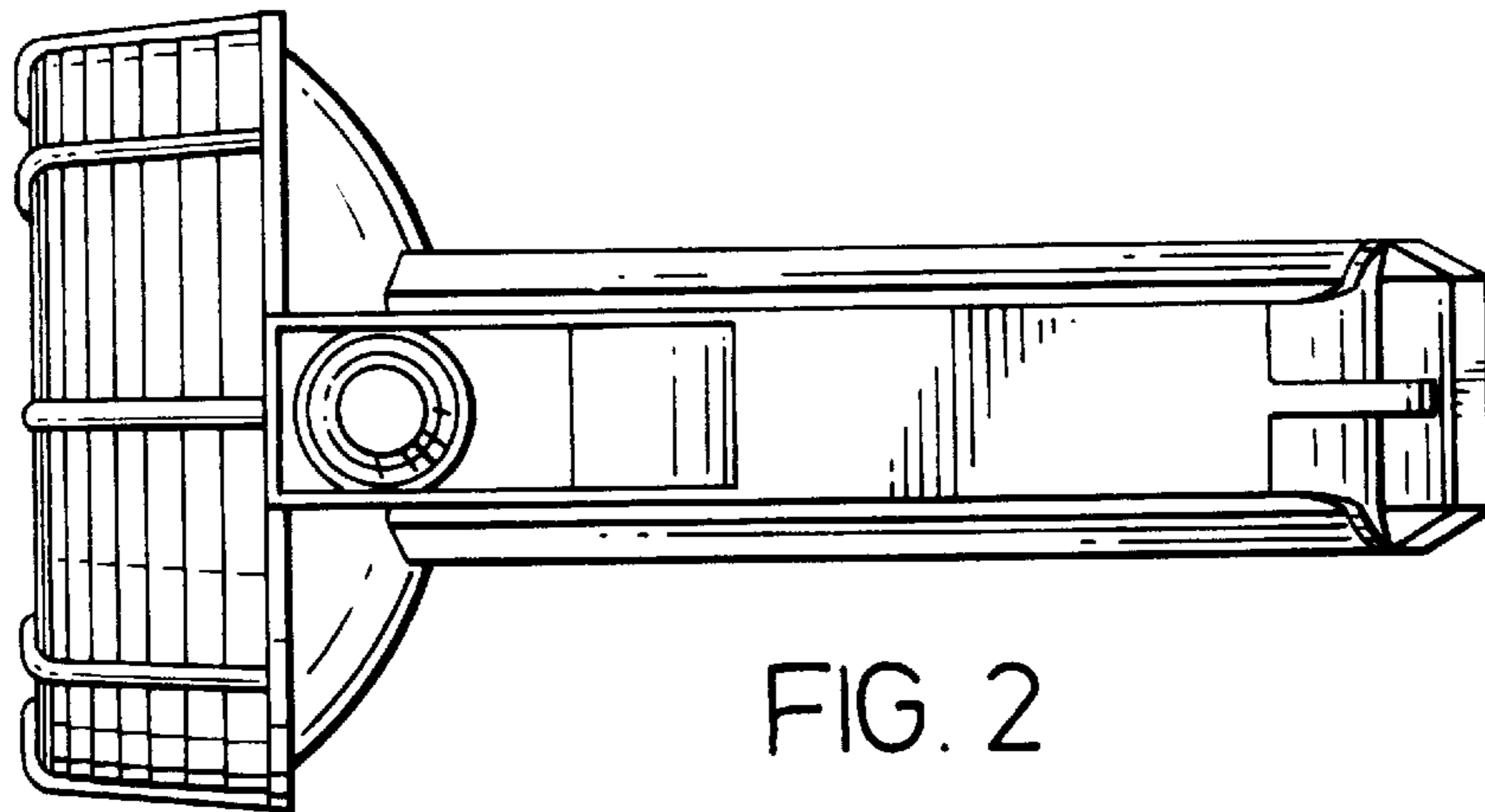


FIG. 2

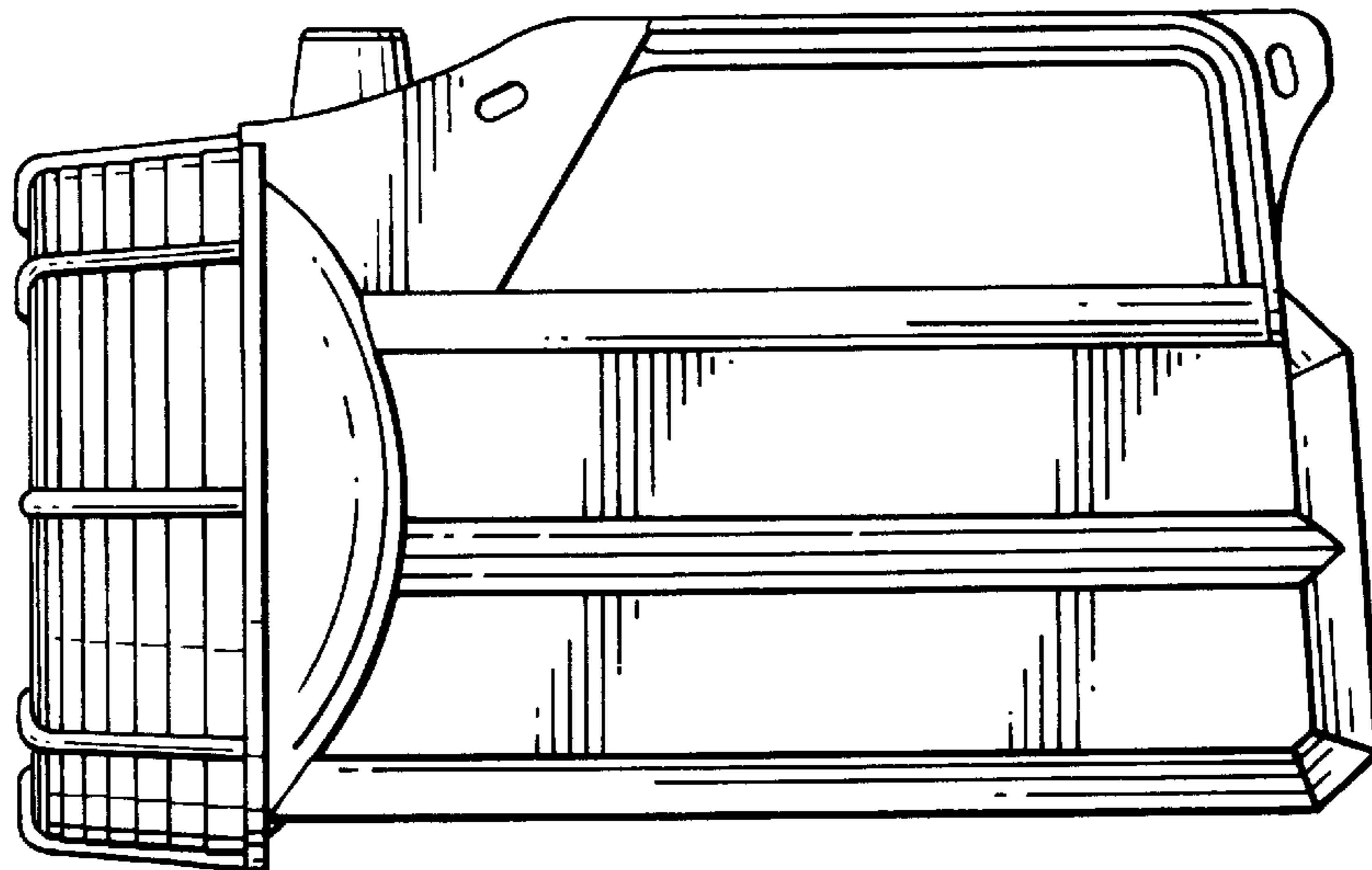


FIG. 3

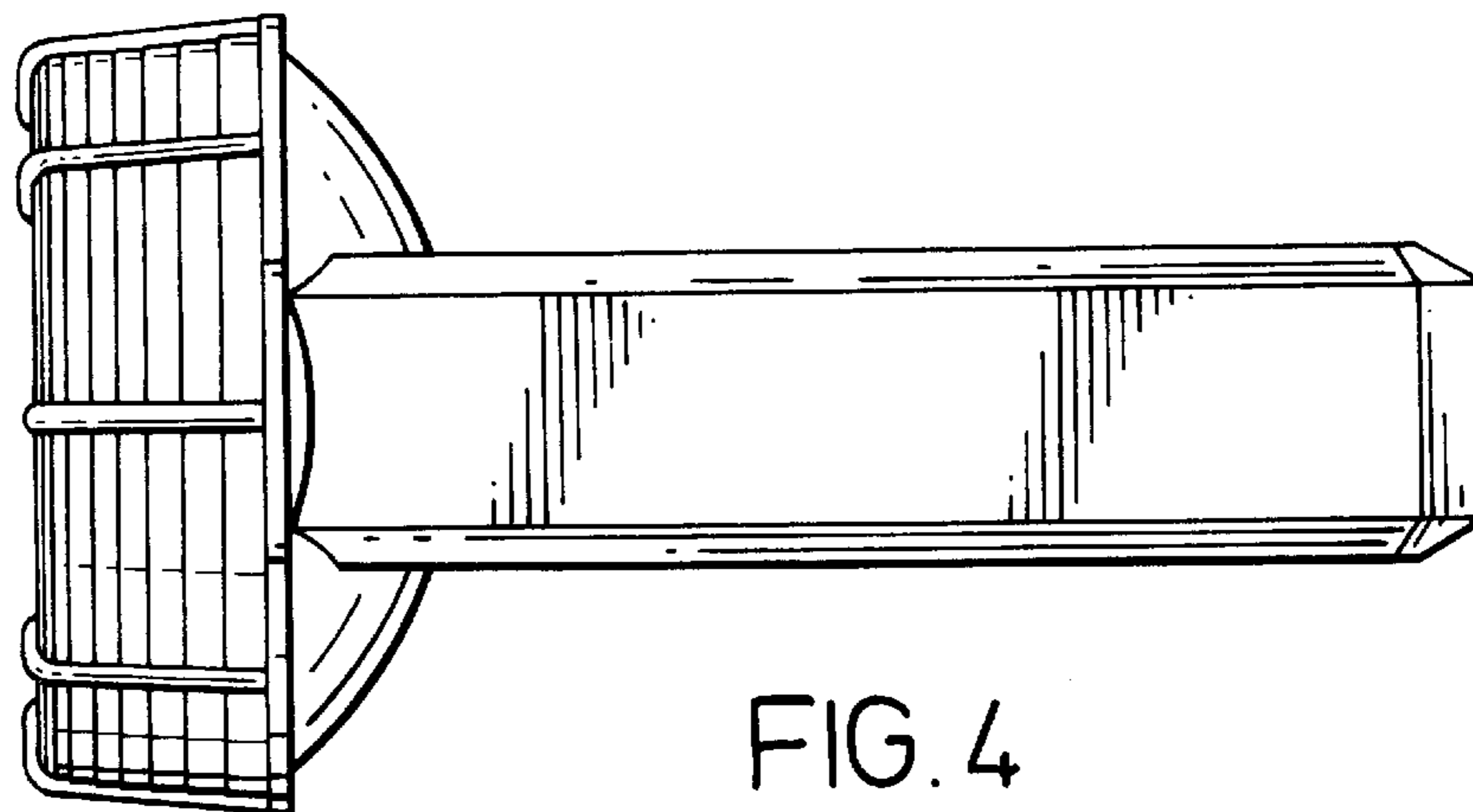


FIG. 4

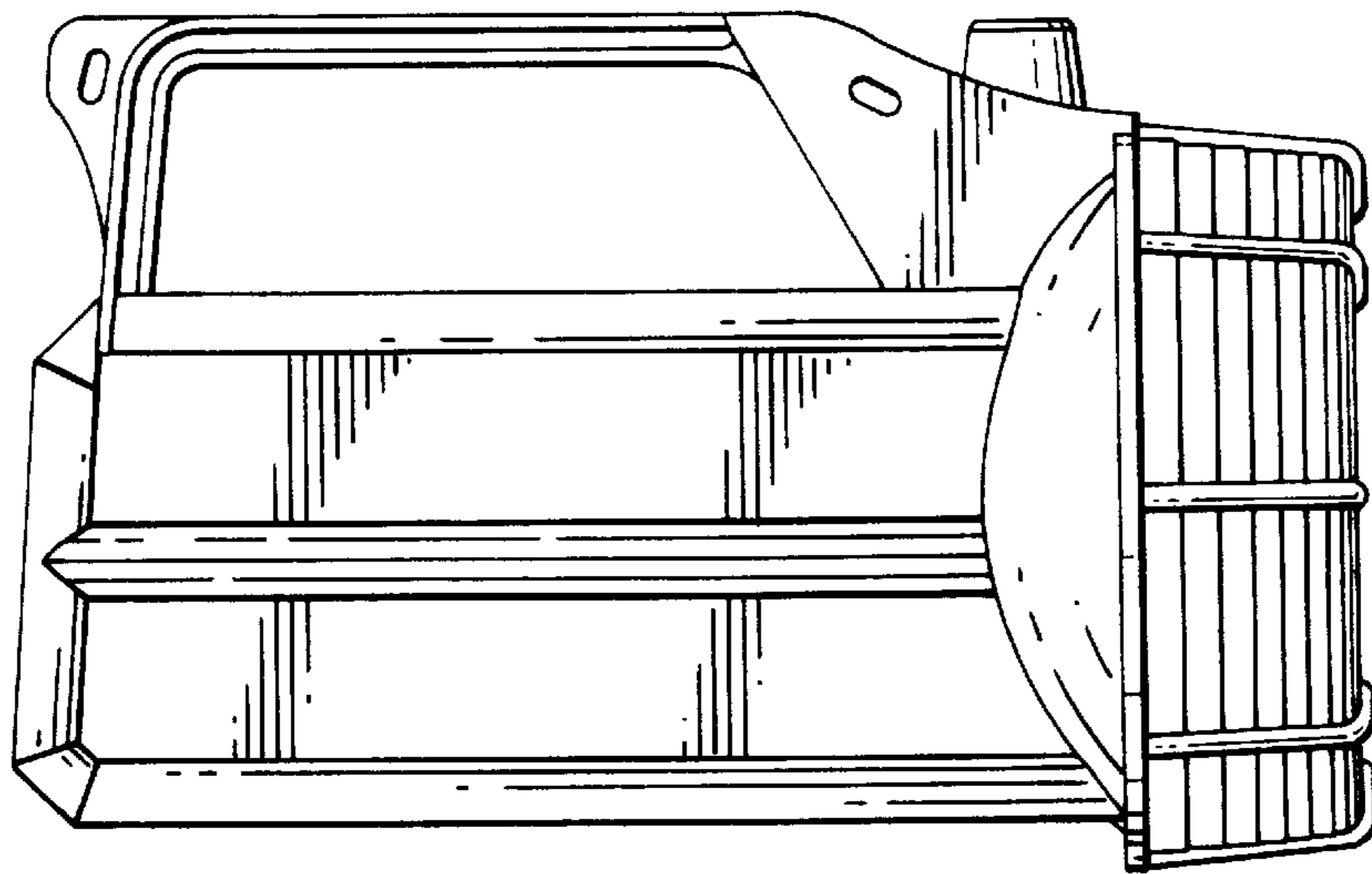


FIG. 5

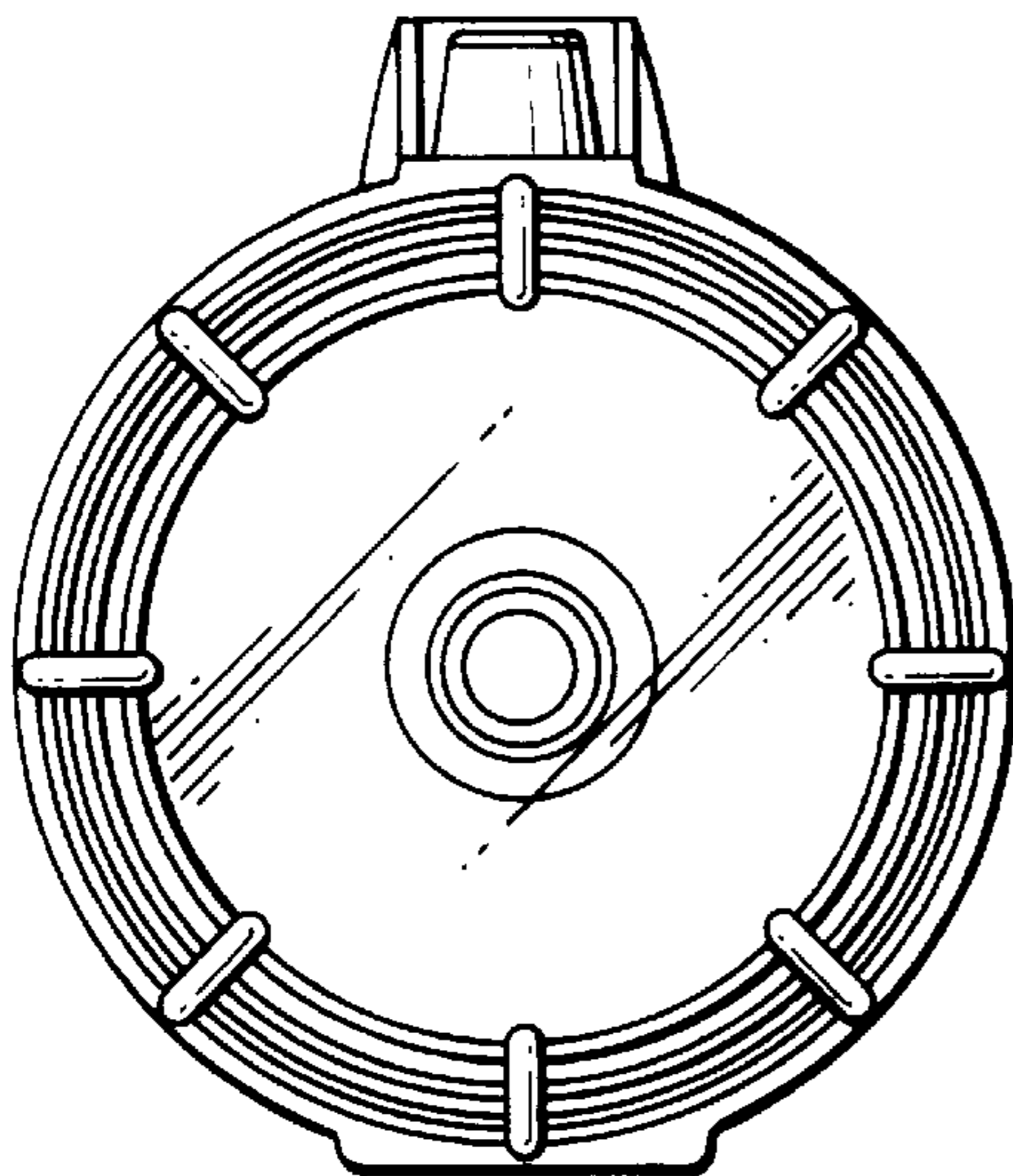


FIG. 6

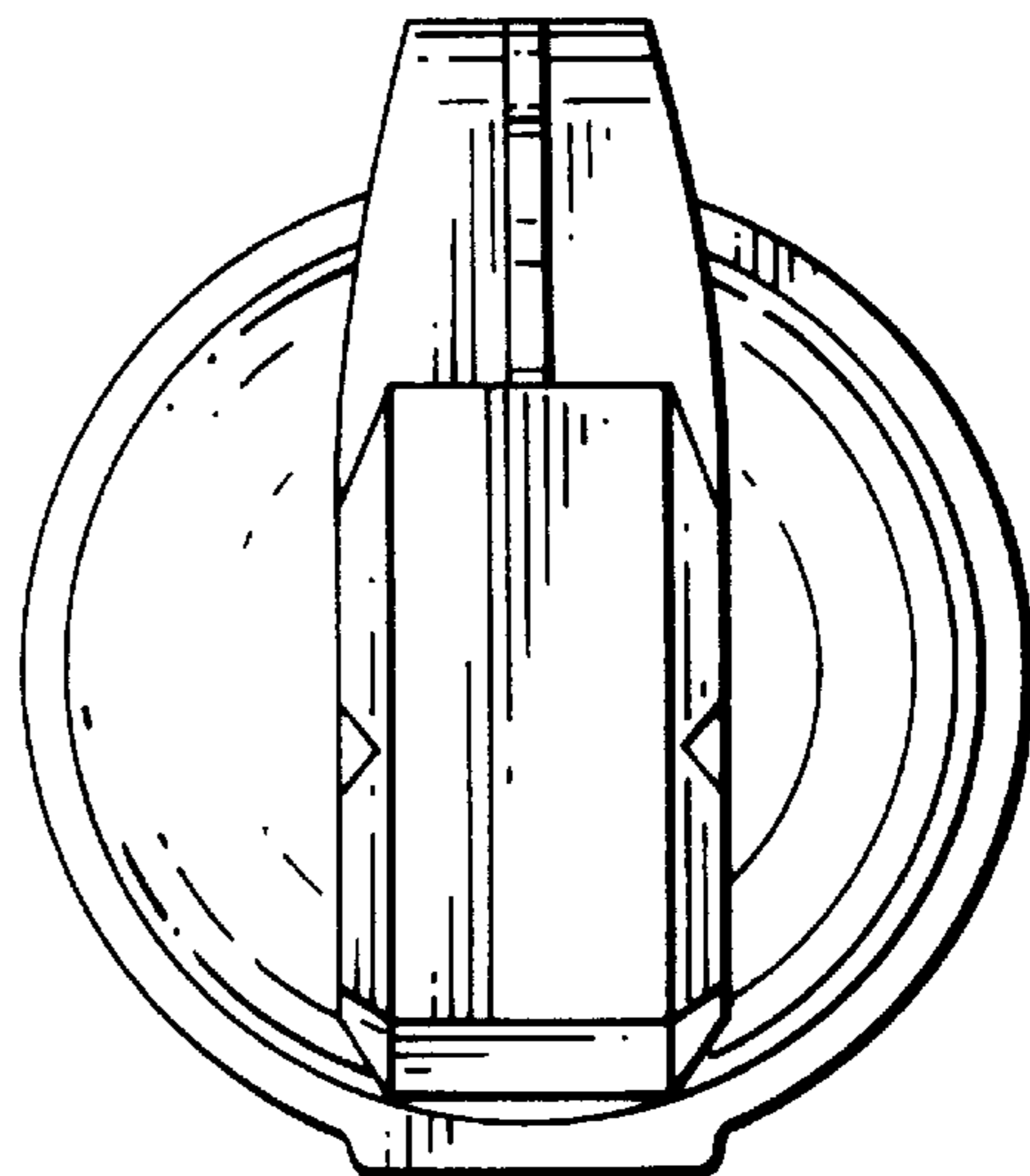


FIG. 7