



US00D404157S

United States Patent [19] Carbone

[11] **Patent Number: Des. 404,157**

[45] **Date of Patent: **Jan. 12, 1999**

[54] **FLEXIBLE FLASHLIGHT**

[75] Inventor: **Richard J. Carbone**, Southbury, Conn.

[73] Assignee: **Black & Decker Inc.**, Newark, Del.

[**] Term: **14 Years**

[21] Appl. No.: **49,040**

[22] Filed: **Jan. 16, 1996**

[51] **LOC (6) Cl. 26-02**

[52] **U.S. Cl. D26/43**

[58] **Field of Search D26/37-50; 362/157,
362/158, 183, 184, 187-202**

[56] **References Cited**

U.S. PATENT DOCUMENTS

D. 361,399	8/1995	Carbone et al.	D26/43
D. 370,278	5/1996	Nolan	D26/43
D. 370,280	5/1996	Kaiser	D26/43
D. 371,856	7/1996	Carbone	D26/43
D. 372,319	7/1996	Carbone	D26/43
D. 372,548	8/1996	Carbone	D26/43

Primary Examiner—Marcus A. Jackson
Attorney, Agent, or Firm—Barry E. Deutsch; Kerry H. Owens

[57] **CLAIM**

The ornamental design for a flexible flashlight, as shown and described.

DESCRIPTION

FIG. 1 illustrates a right side view of the flexible flashlight of my design, the flexible coil of the flashlight is shown in an extended position;

FIG. 2 illustrates a right side elevational view of my design with the front and rear housings shown in a nested position;

FIG. 3 is a view similar to that shown in FIG. 1, taken from the left side;

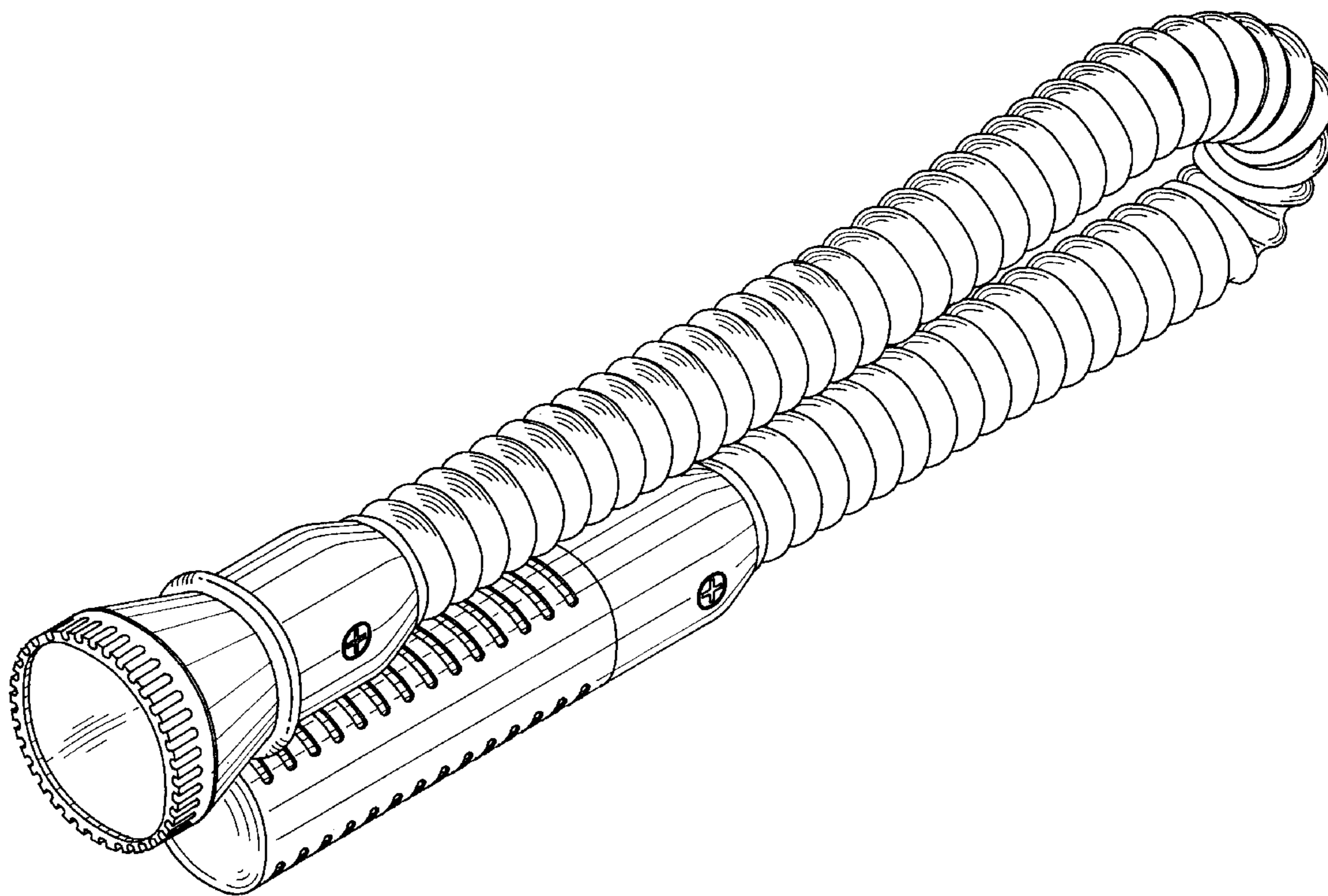
FIG. 4 illustrates a detailed right side elevational view of the head of my design;

FIG. 5 shows a top plan view of my design;

FIG. 6 illustrates a rear elevational view of my design; and,

FIG. 7 illustrates a front elevational view of my design.

1 Claim, 3 Drawing Sheets



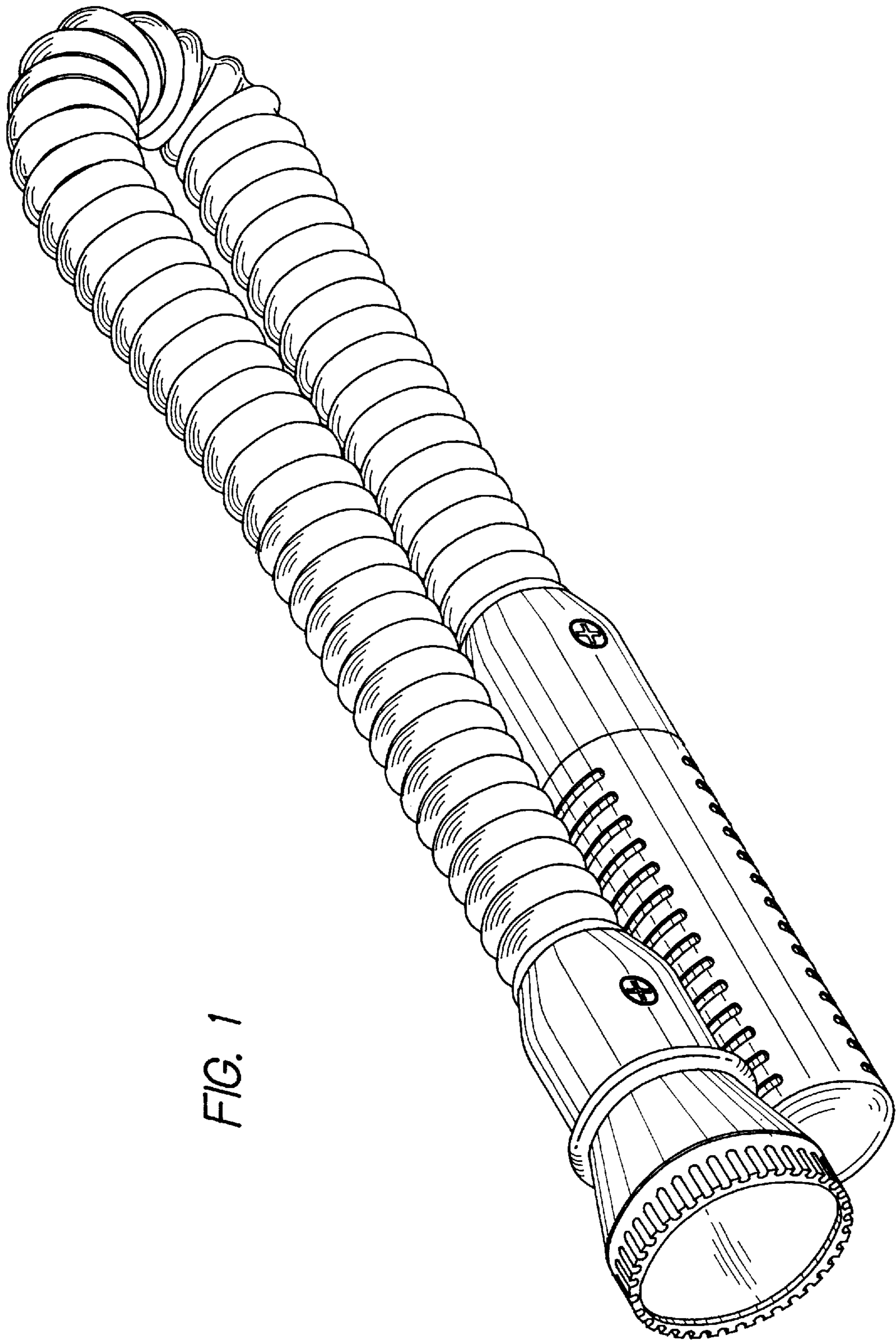


FIG. 1

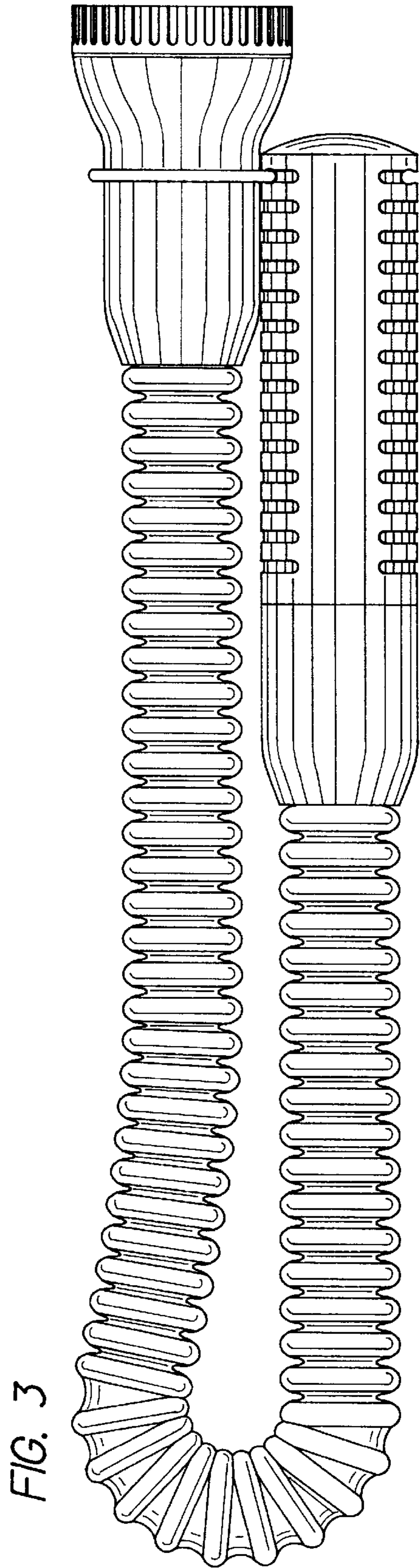
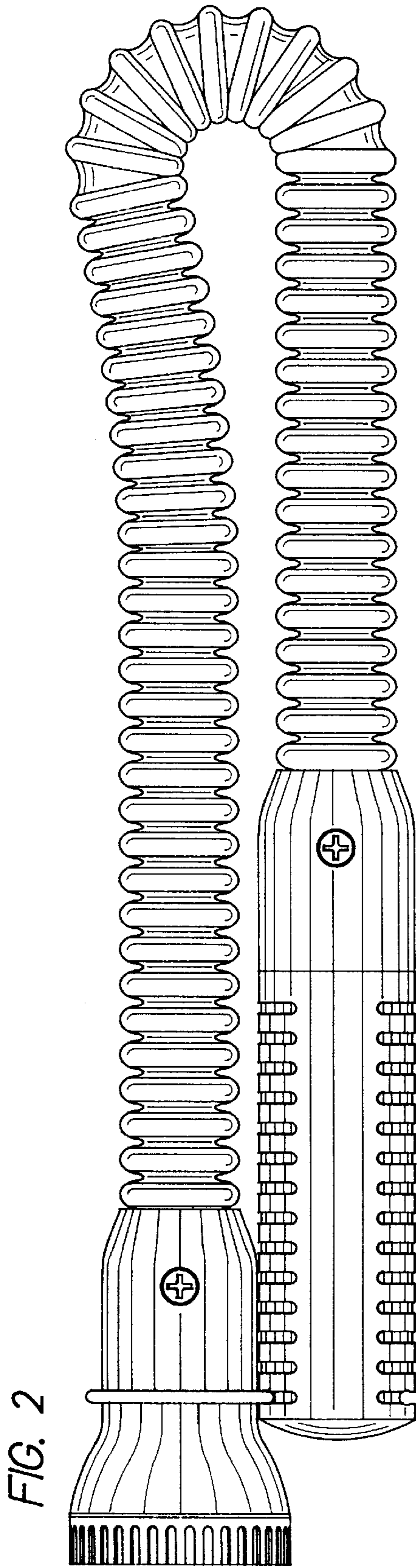


FIG. 6

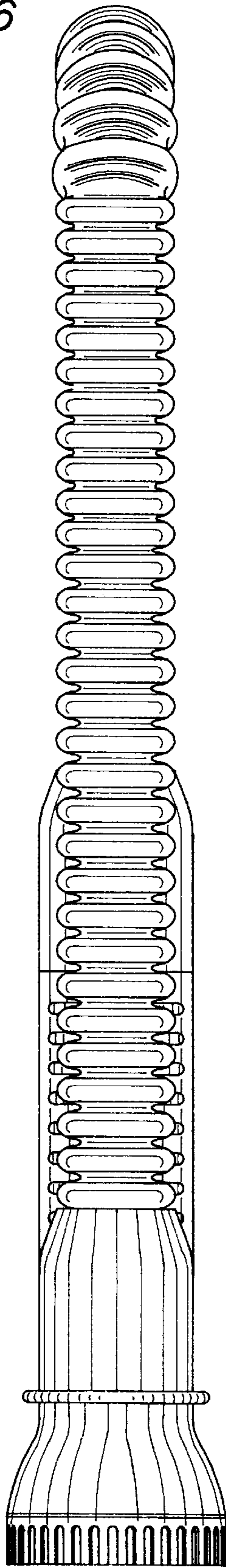


FIG. 7

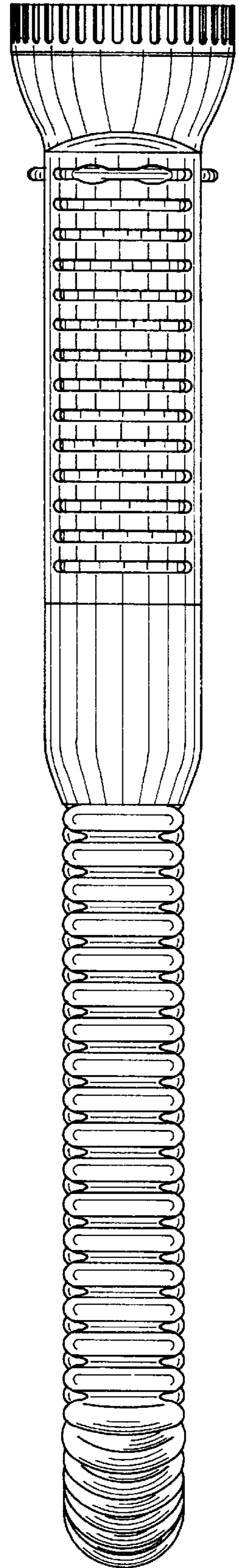


FIG. 4

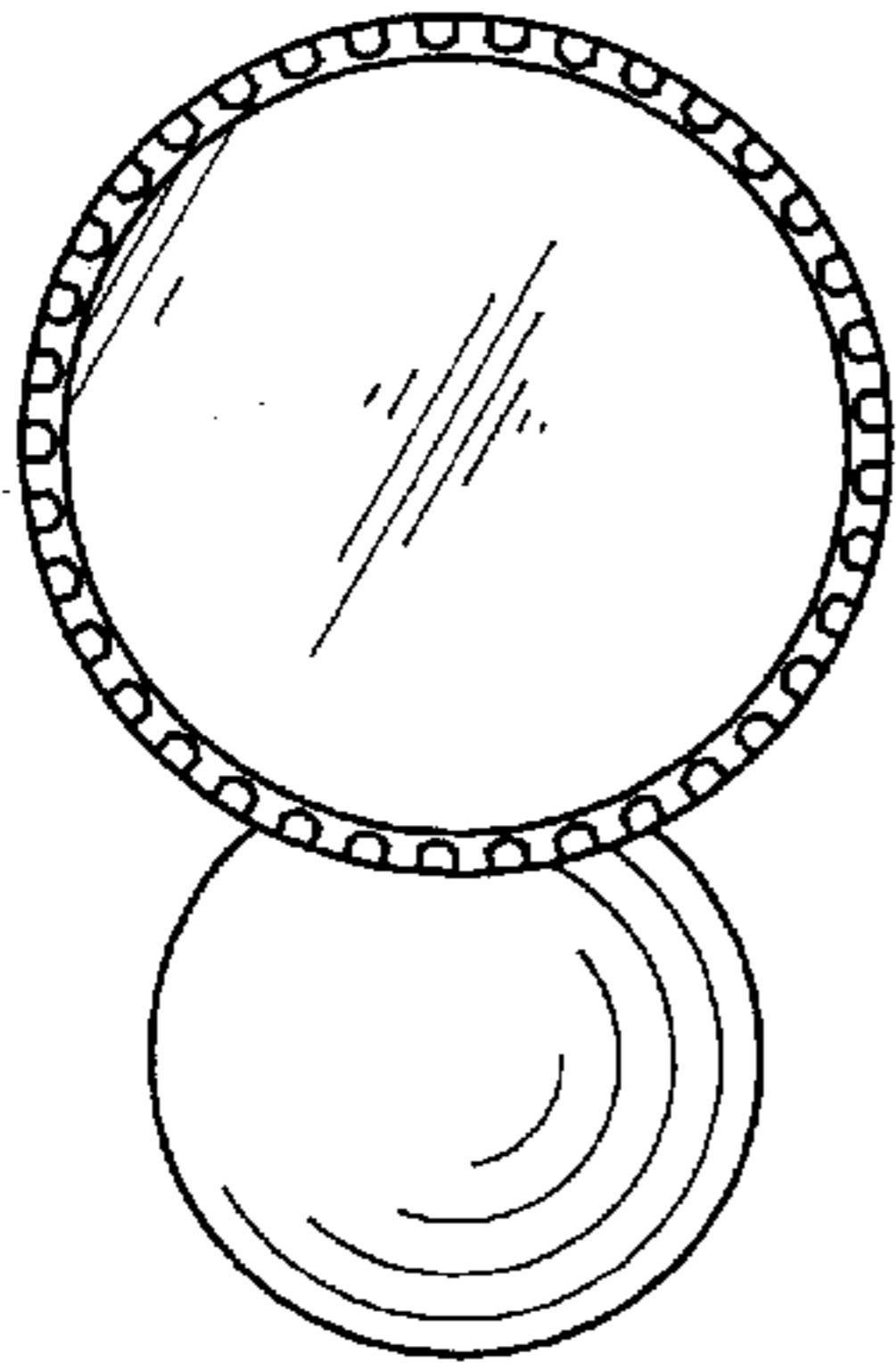


FIG. 5

