



US00D404154S

United States Patent [19] Breit

[11] **Patent Number: Des. 404,154**

[45] **Date of Patent: **Jan. 12, 1999**

[54] **LANTERN**

D. 351,480 10/1994 Bamber et al. D26/39
D. 389,258 1/1998 Reynolds D26/37

[75] Inventor: **Oliver Breit**, Tsuen Wan, Hong Kong

[73] Assignee: **Solar Wide Industrial Ltd.**, New Territories, Hong Kong

Primary Examiner—Marcus A. Jackson
Attorney, Agent, or Firm—Leydig, Voit & Mayer

[**] Term: **14 Years**

[57] **CLAIM**

The ornamental design for a lantern, as shown and described.

[21] Appl. No.: **80,419**

[22] Filed: **Dec. 9, 1997**

DESCRIPTION

[51] **LOC (6) Cl.** **26-02**

[52] **U.S. Cl.** **D26/37; D26/50**

[58] **Field of Search** D26/37-50; 362/157,
362/158, 183-208

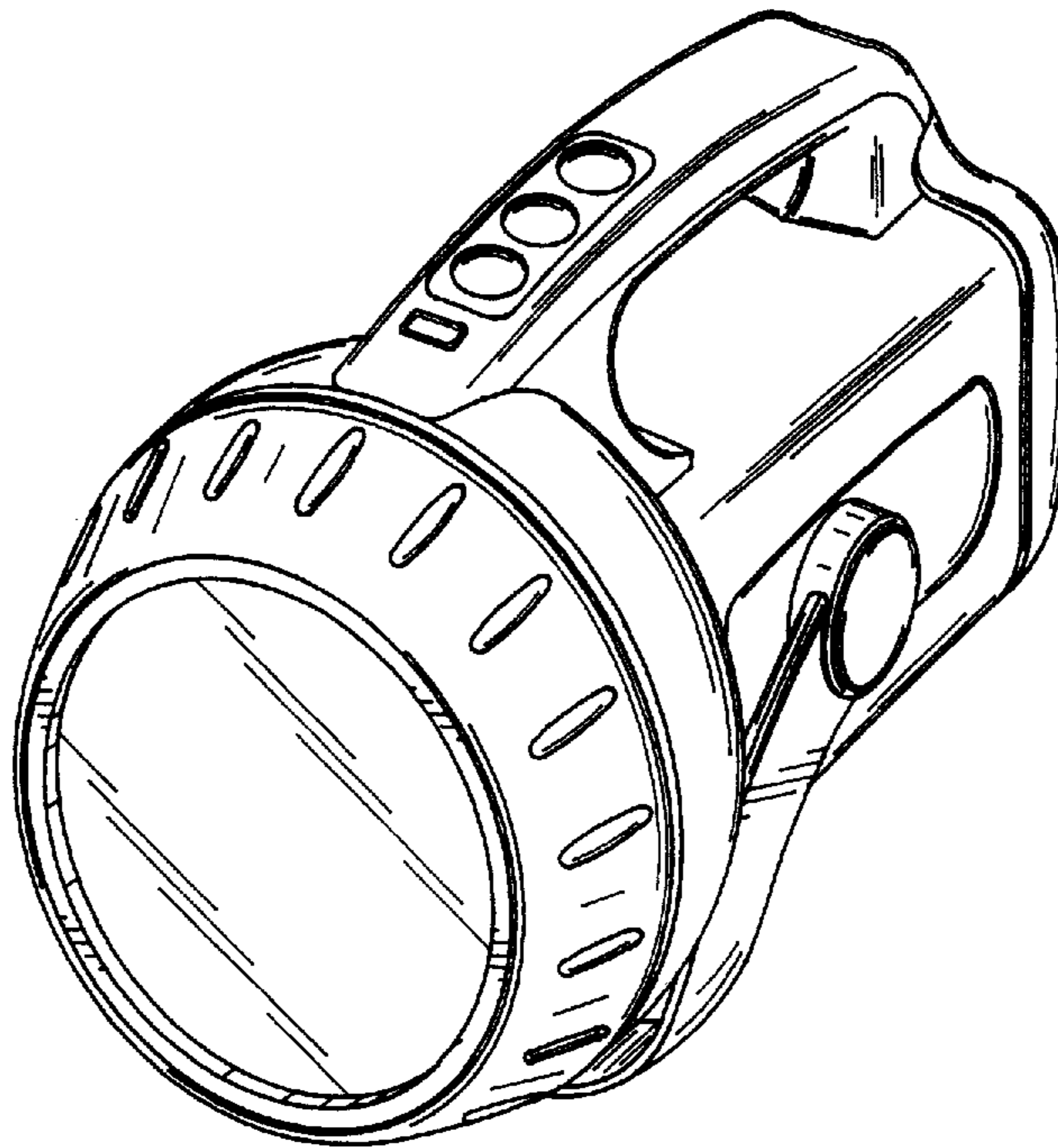
FIG. 1 is a top, front end and left side perspective view of a lantern showing my new design;
FIG. 2 is a left side elevational view thereof, with the opposite side being a mirror image;
FIG. 3 is a front end elevational view thereof;
FIG. 4 is a rear end elevational view thereof;
FIG. 5 is a top plan view thereof; and,
FIG. 6 is a bottom plan view thereof.

[56] **References Cited**

U.S. PATENT DOCUMENTS

D. 284,106 6/1986 Drane D26/50
D. 293,825 1/1988 Jennings D26/50

1 Claim, 2 Drawing Sheets



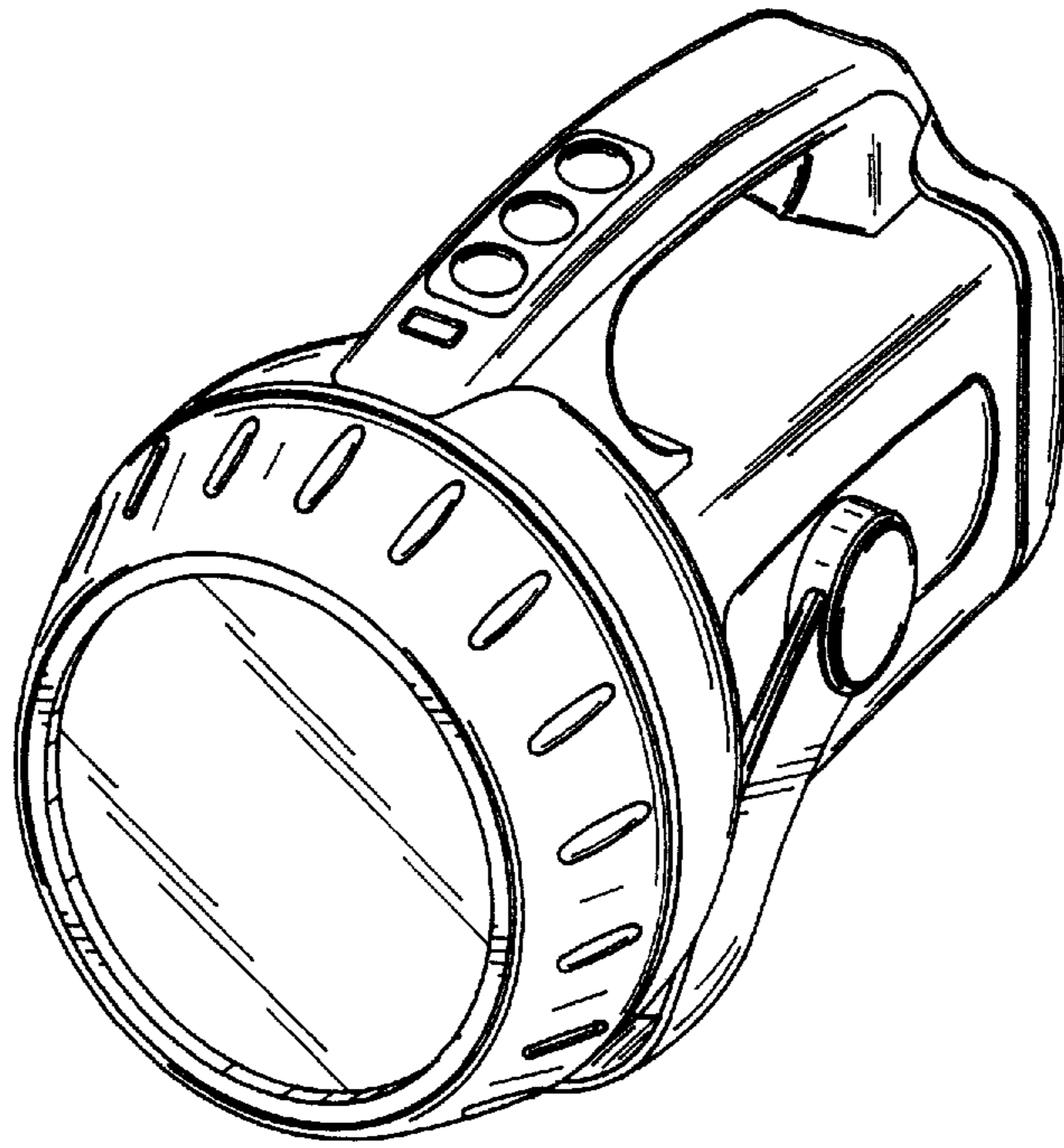


FIG. 1

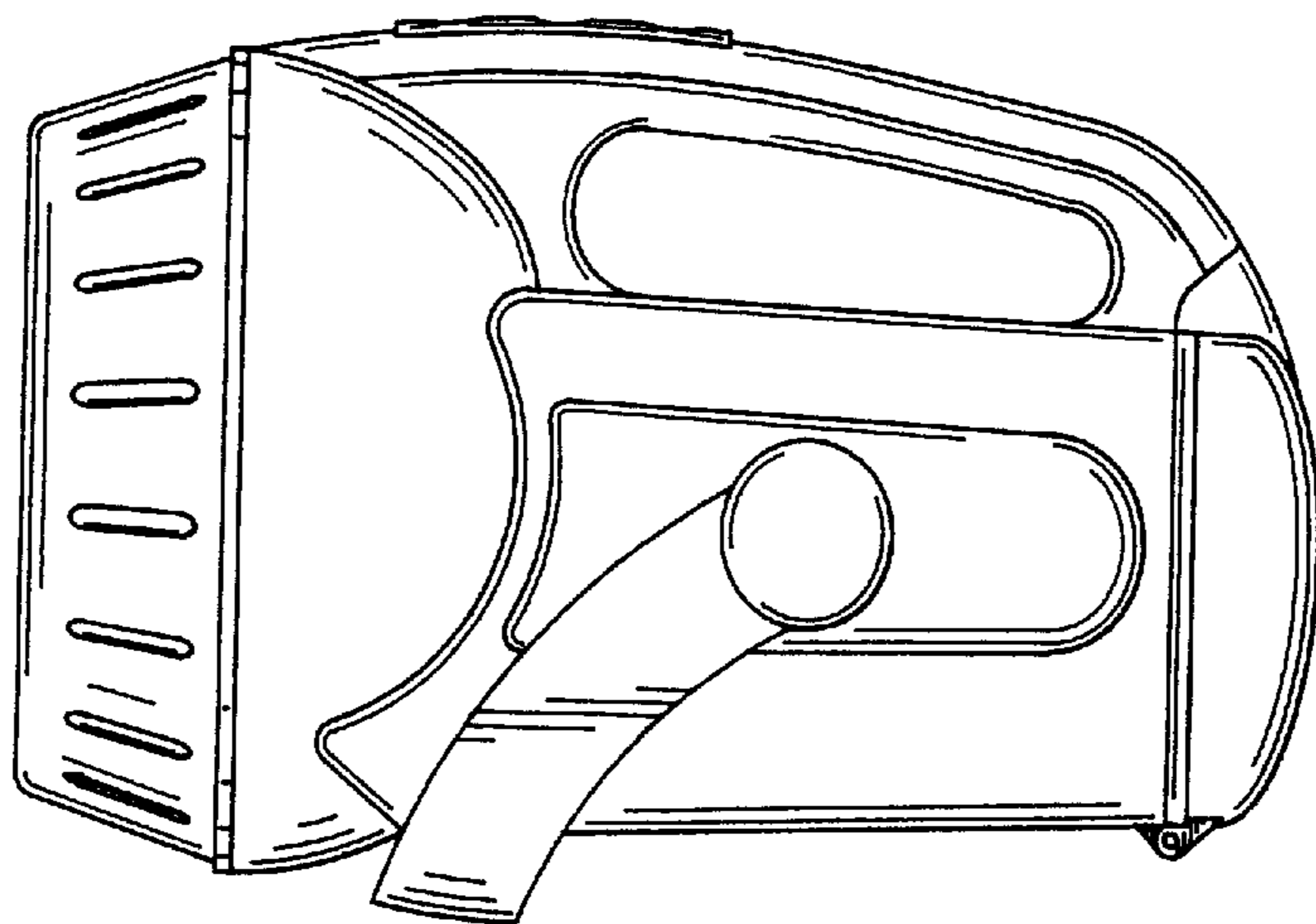


FIG. 2

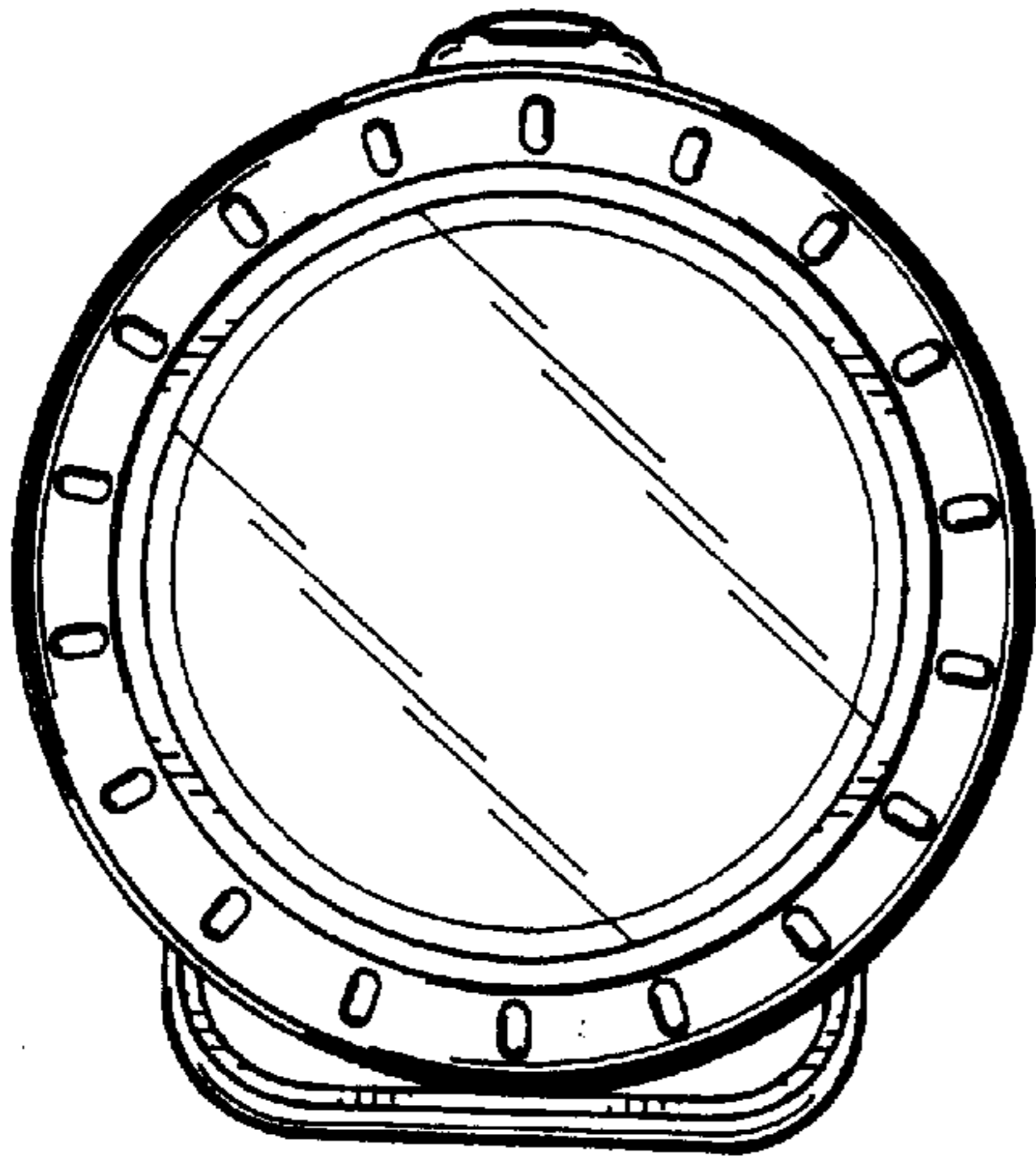


FIG. 3

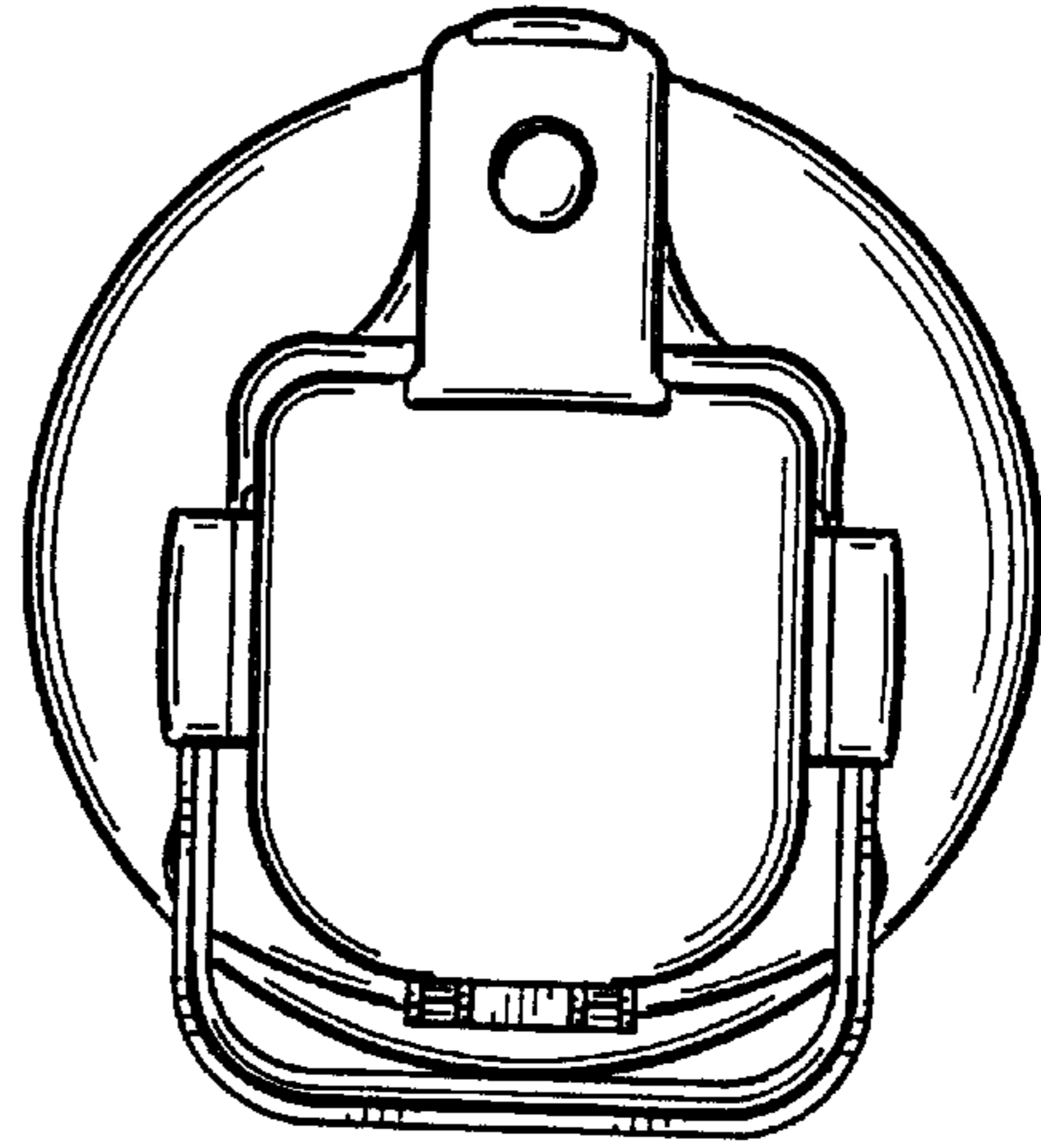


FIG. 4

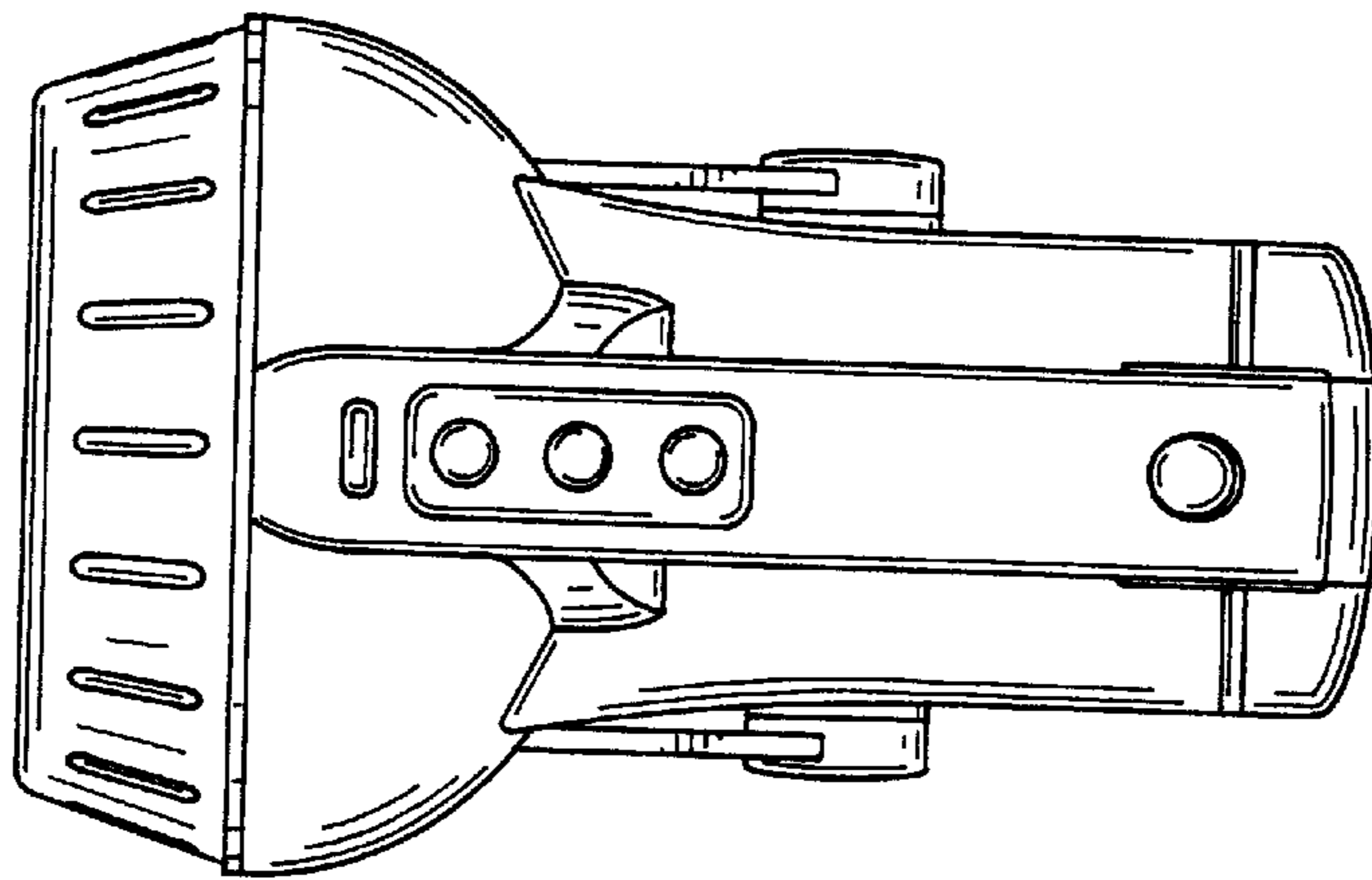


FIG. 5

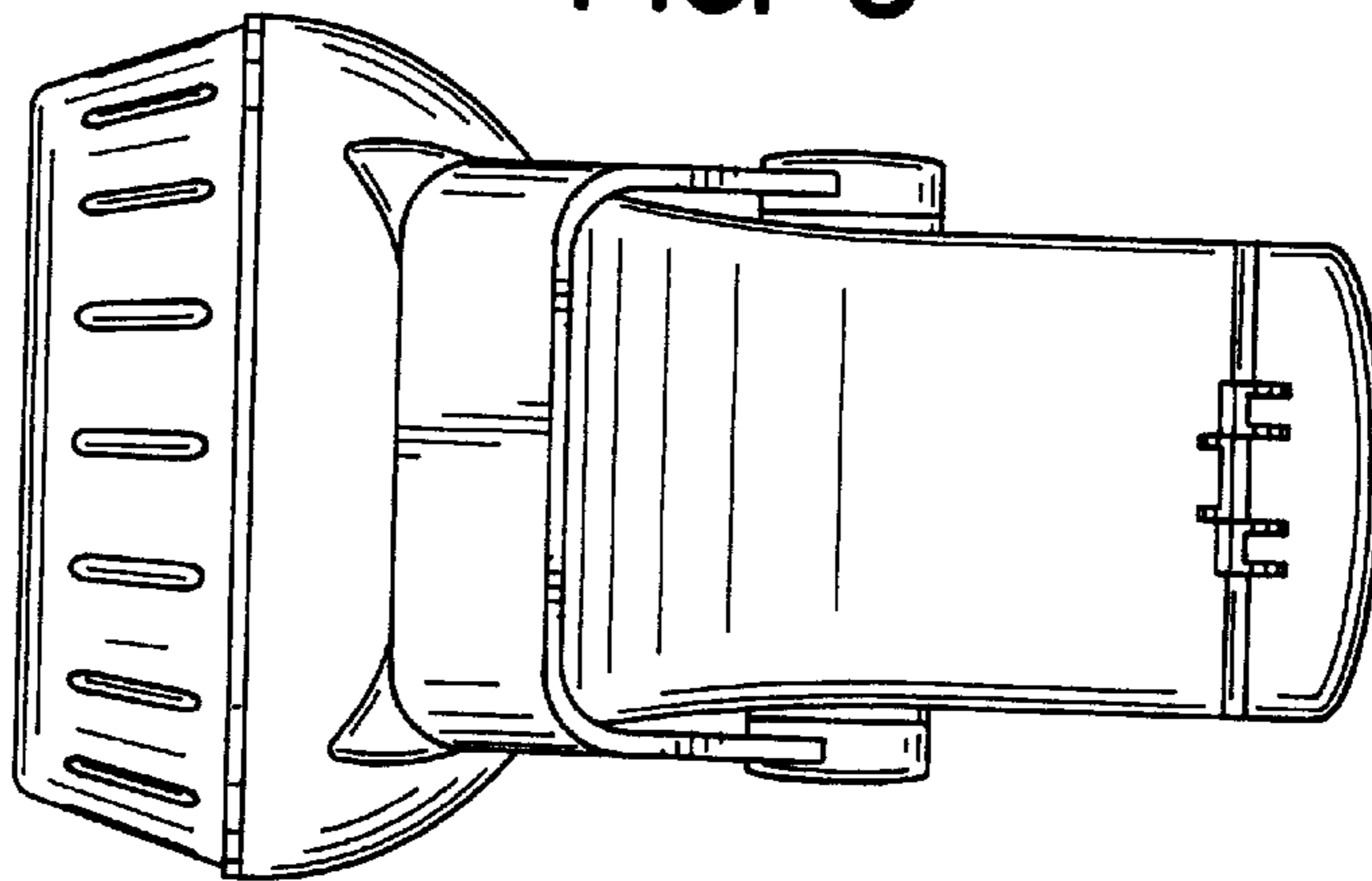


FIG. 6