



US00D404153S

United States Patent [19]

Dalton et al.

[11] Patent Number: Des. 404,153

[45] Date of Patent: **Jan. 12, 1999

[54] FLASHLIGHT

[75] Inventors: **David R. Dalton**, Westlake, Ohio; **John R. Brown**, New South Wales, Australia

[73] Assignee: **Eveready Battery Company, Inc.**, St. Louis, Mo.

[**] Term: **14 Years**

[21] Appl. No.: **70,406**

[22] Filed: **May 6, 1997**

[30] Foreign Application Priority Data

Nov. 6, 1996 [AU] Australia 3819/96

[51] LOC (6) Cl. **26-02**

[52] U.S. Cl. **D26/37**

[58] Field of Search D26/37-50; 362/157, 362/158, 159, 160, 161, 168, 171, 172, 173, 178, 179, 180, 183-208

[56] References Cited

U.S. PATENT DOCUMENTS

D. 287,411	12/1986	Drane	D26/46
D. 355,040	1/1995	Dalton et al.	D26/37
D. 383,233	9/1997	Abry	D26/46
D. 383,863	9/1997	Ejuen	D26/46

Primary Examiner—Marcus A. Jackson
Attorney, Agent, or Firm—Robert W. Welsh; S. Allan Fraser

[57] CLAIM

We claim the ornamental design for a flashlight, as shown and described.

DESCRIPTION

FIG. 1 is a perspective view of a flashlight showing our new design;

FIG. 2 is a top plan view thereof;

FIG. 3 is a front elevational view thereof;

FIG. 4 is a rear elevational view thereof;

FIG. 5 is a left elevational view thereof, and the right side being a mirror image;

FIG. 6 is a bottom plan view thereof;

FIG. 7 is a rear perspective view thereof;

FIG. 8 is a perspective view of a second embodiment thereof, showing our new design;

FIG. 9 is a top plan view thereof;

FIG. 10 is a front elevational view thereof;

FIG. 11 is a rear elevational view thereof;

FIG. 12 is a left elevational view thereof, and the right side being a mirror image;

FIG. 13 is a bottom plan view thereof;

FIG. 14 is a rear perspective view thereof;

FIG. 15 is a perspective view of a third embodiment thereof;

FIG. 16 is a top plan view thereof;

FIG. 17 is a front elevational view thereof;

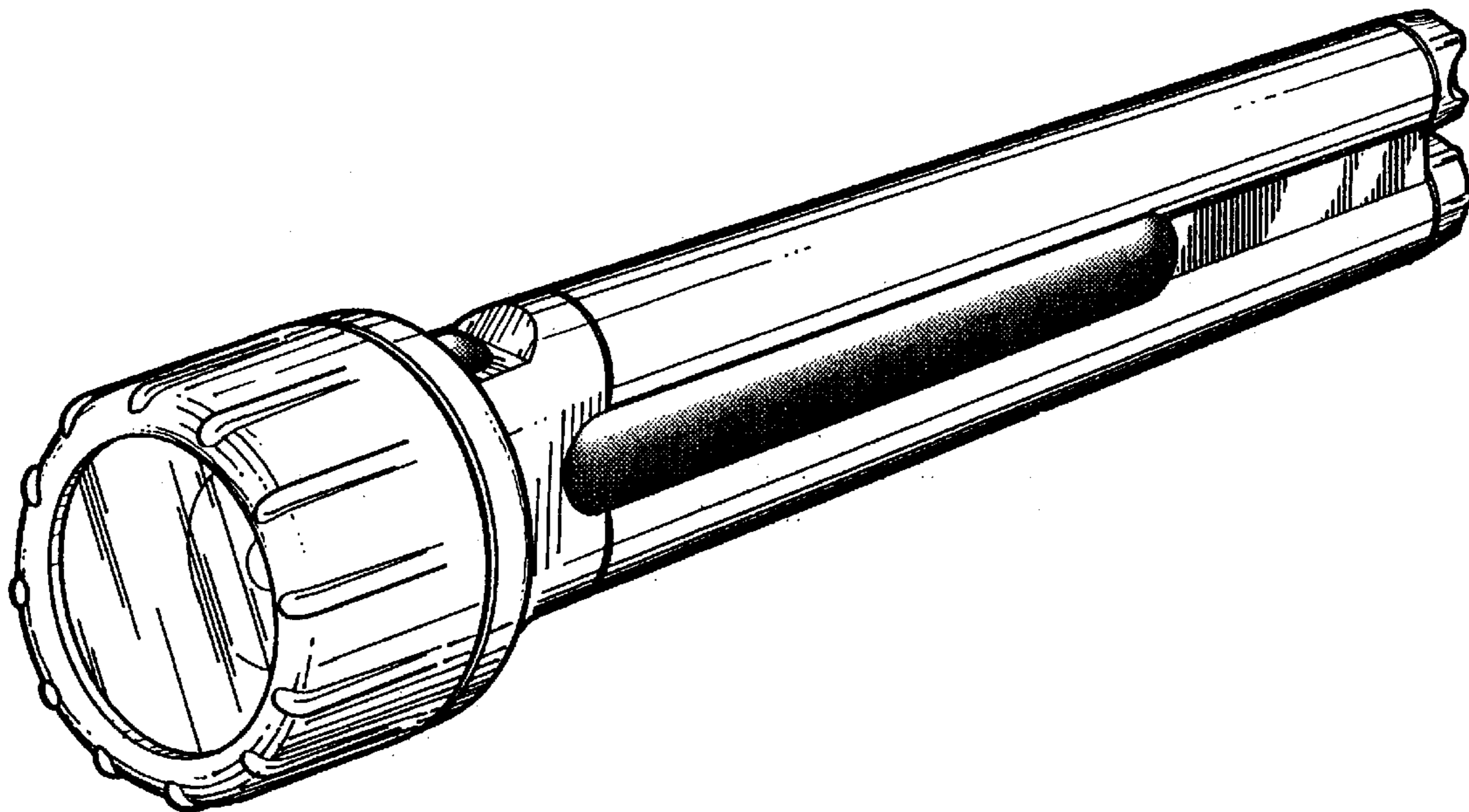
FIG. 18 is a rear elevational view thereof;

FIG. 19 is a left elevational view thereof, and the right side being a mirror image;

FIG. 20 is a bottom plan view thereof; and,

FIG. 21 is a rear perspective view thereof.

1 Claim, 8 Drawing Sheets



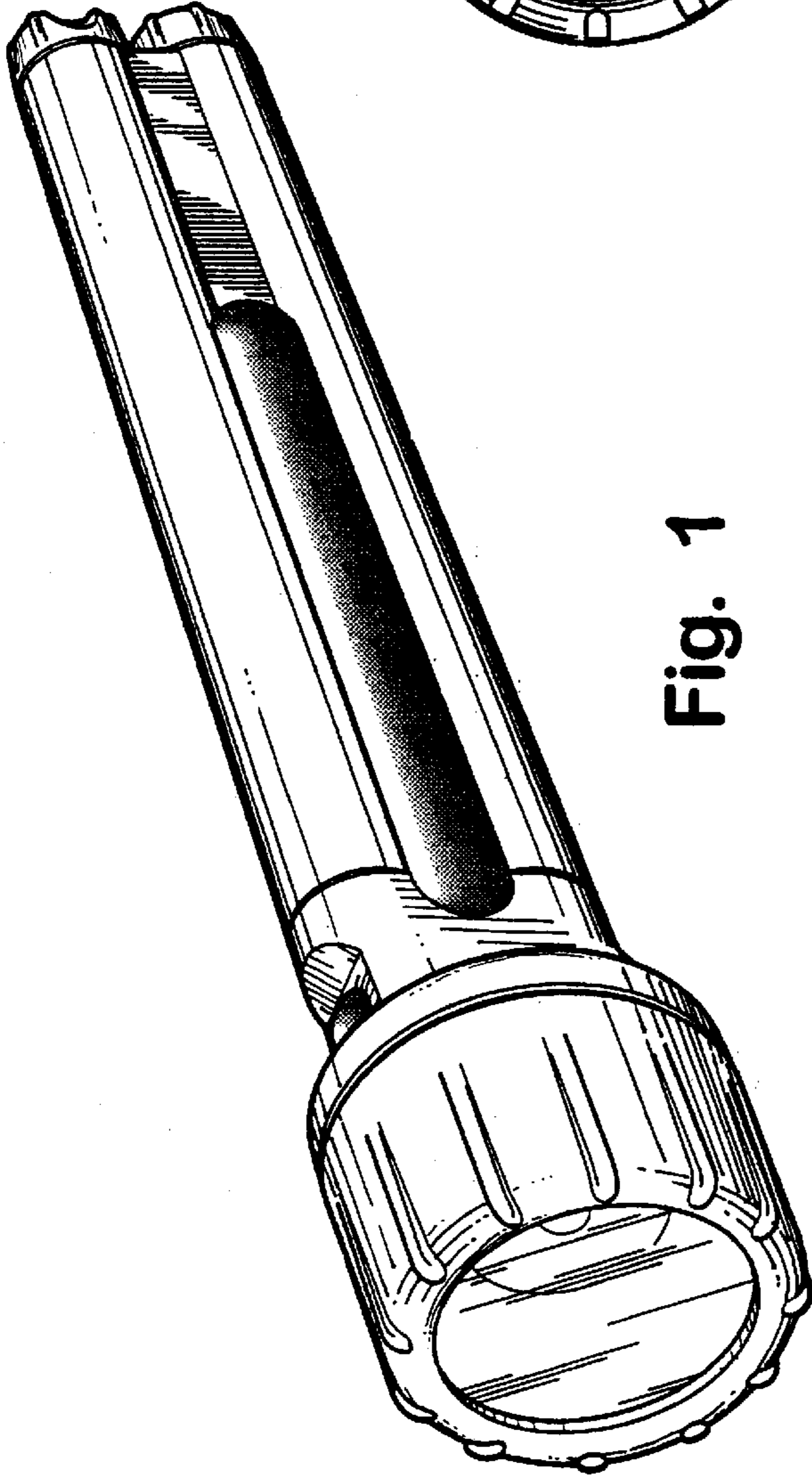


Fig. 1

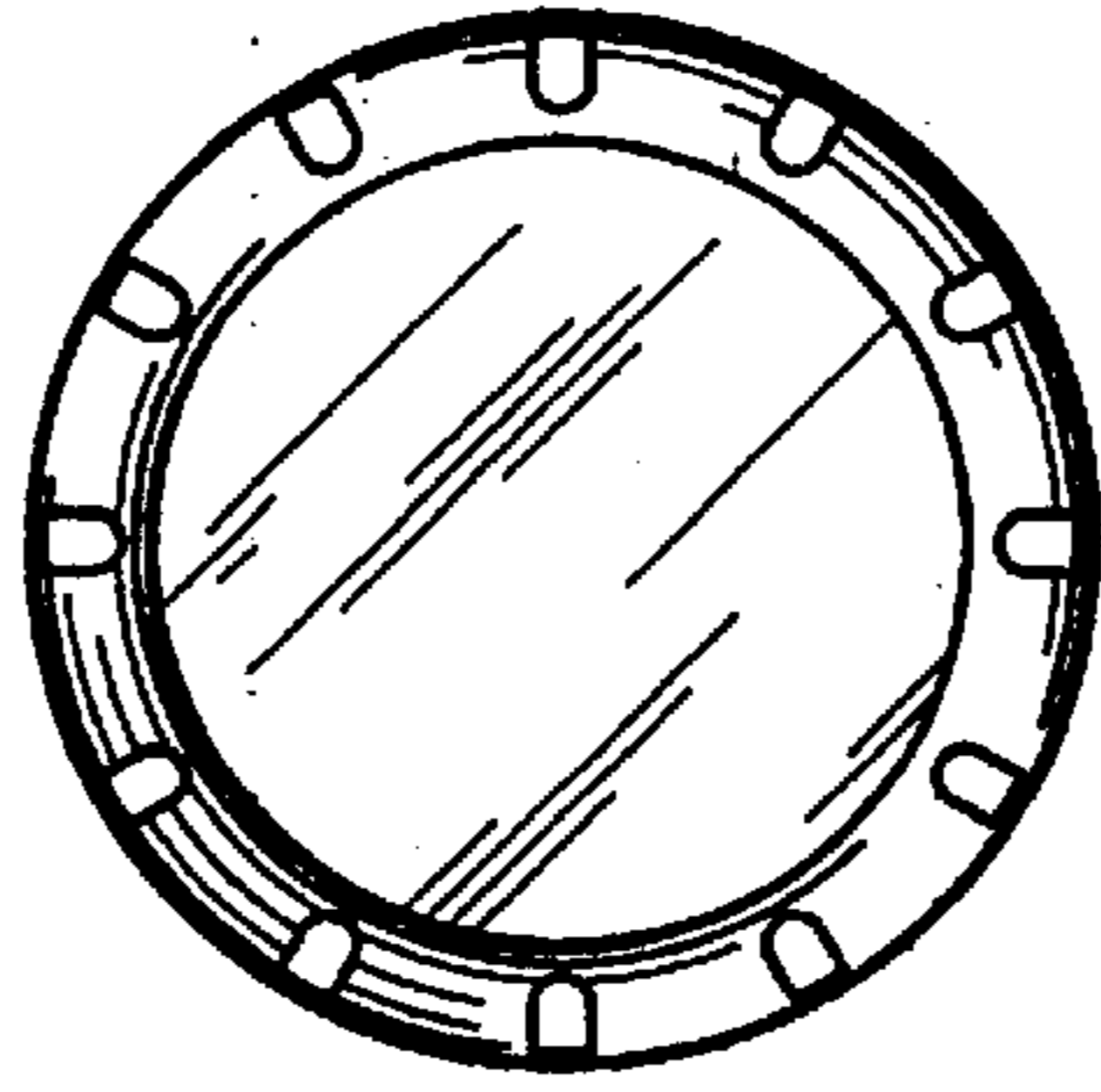


Fig. 3

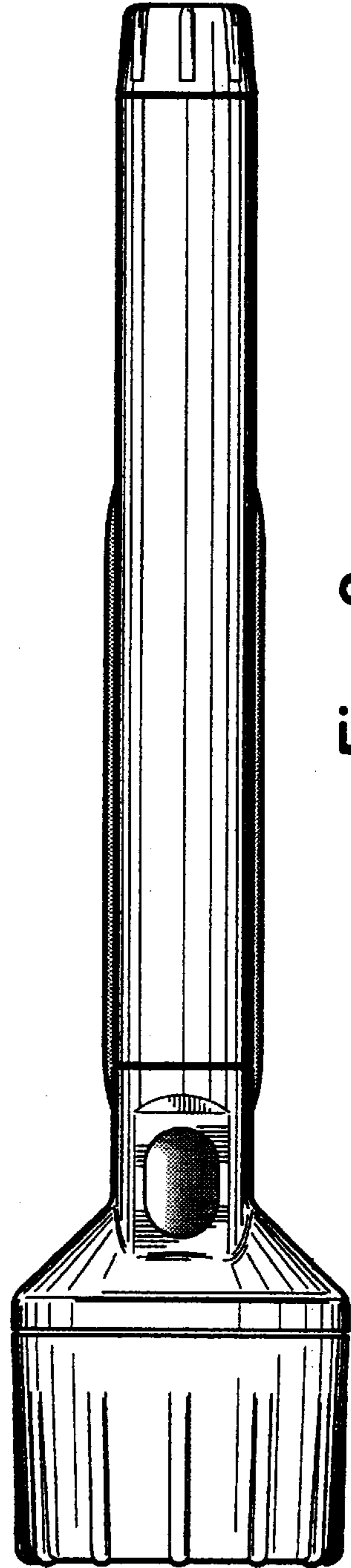


Fig. 2

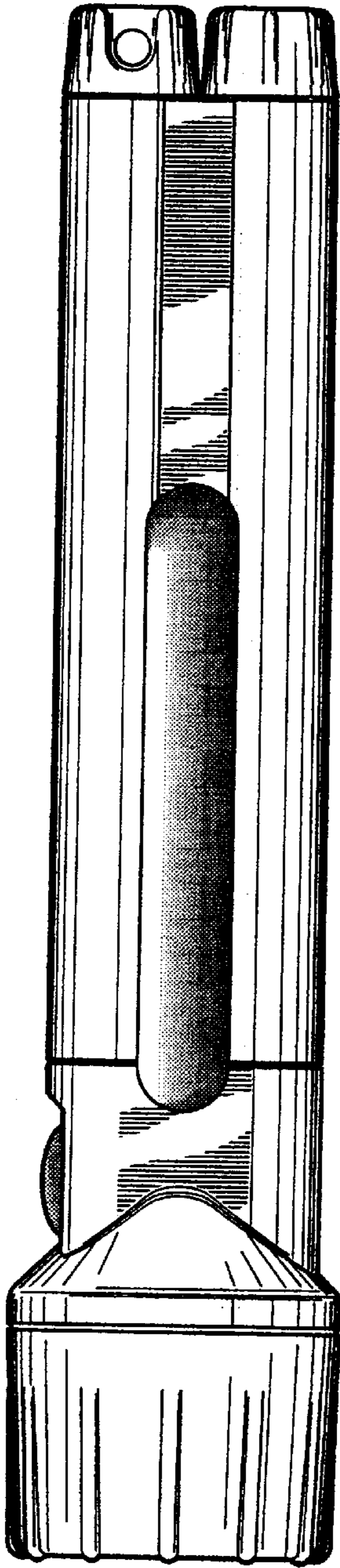


Fig. 5

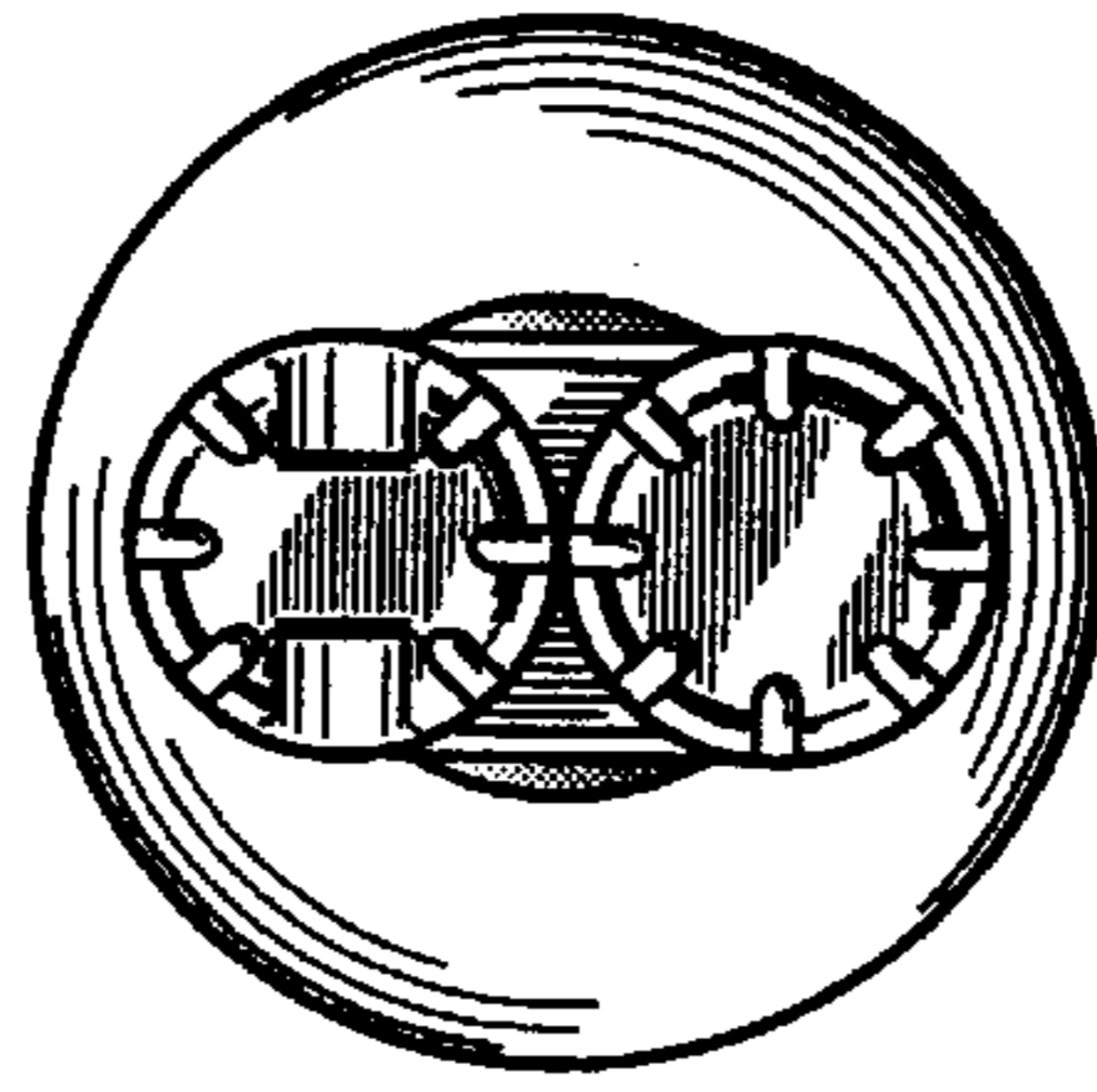


Fig. 4

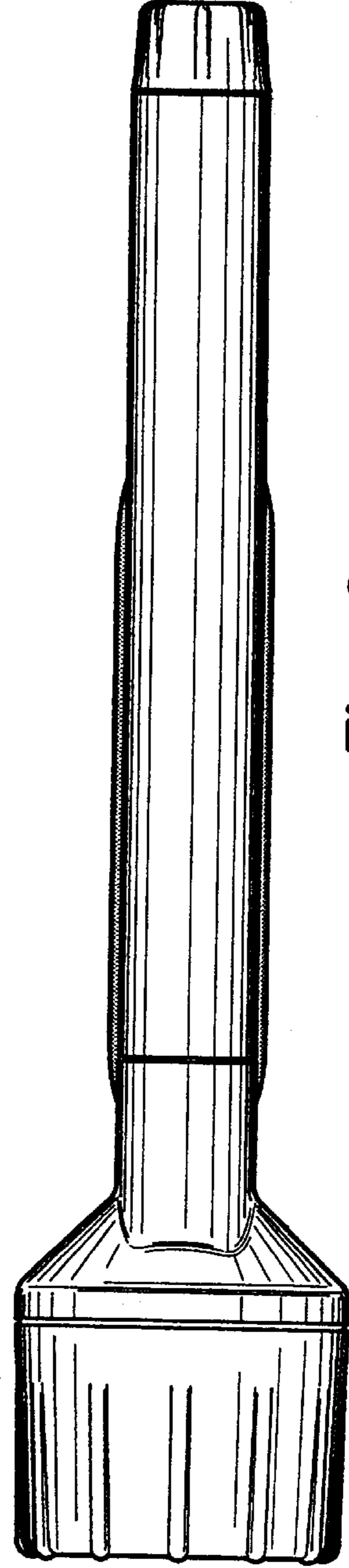


Fig. 6

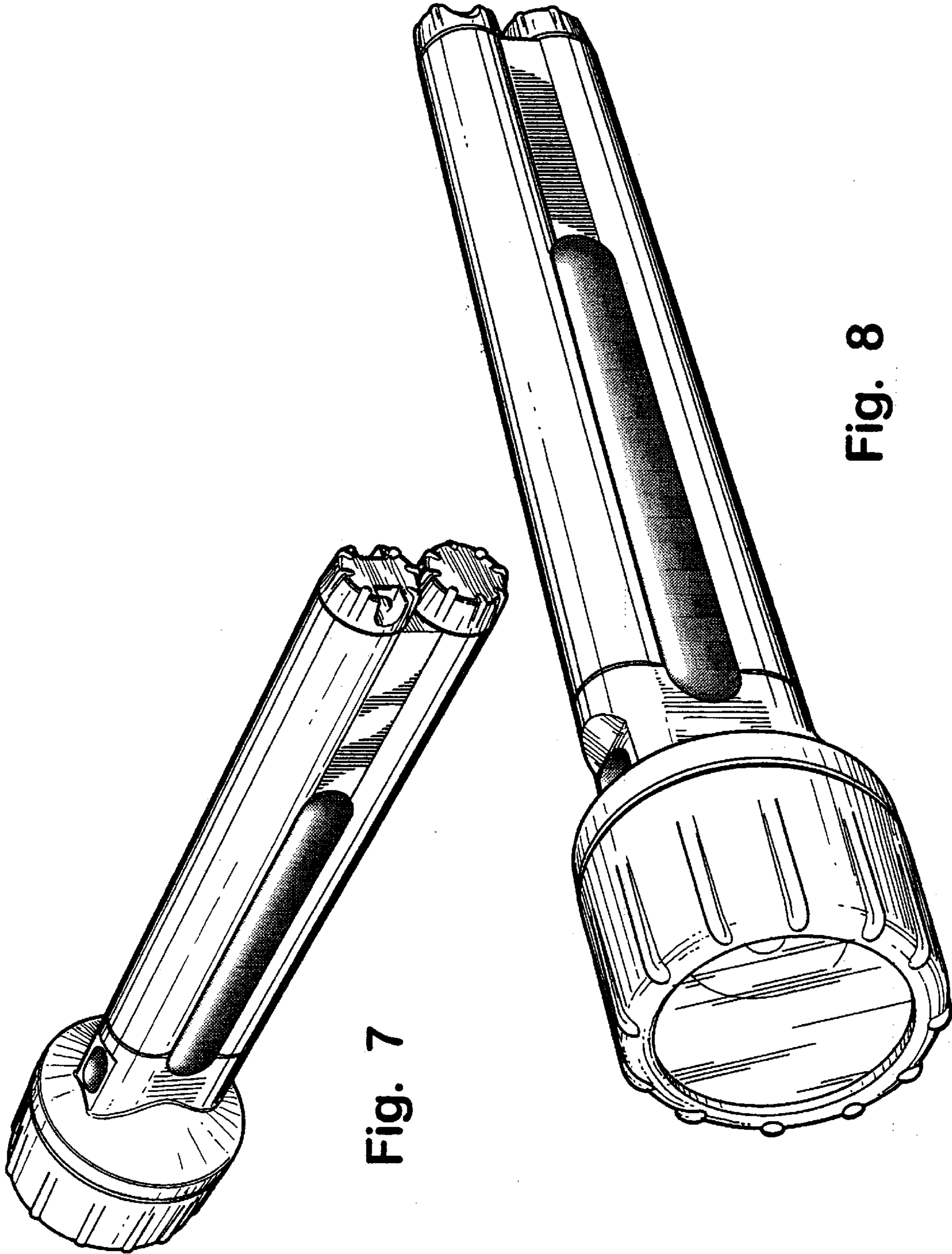
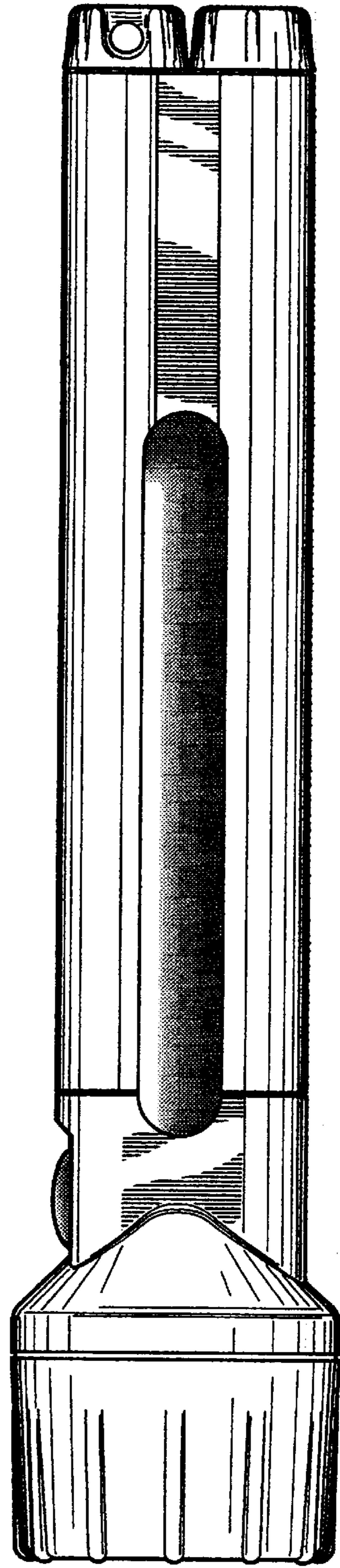
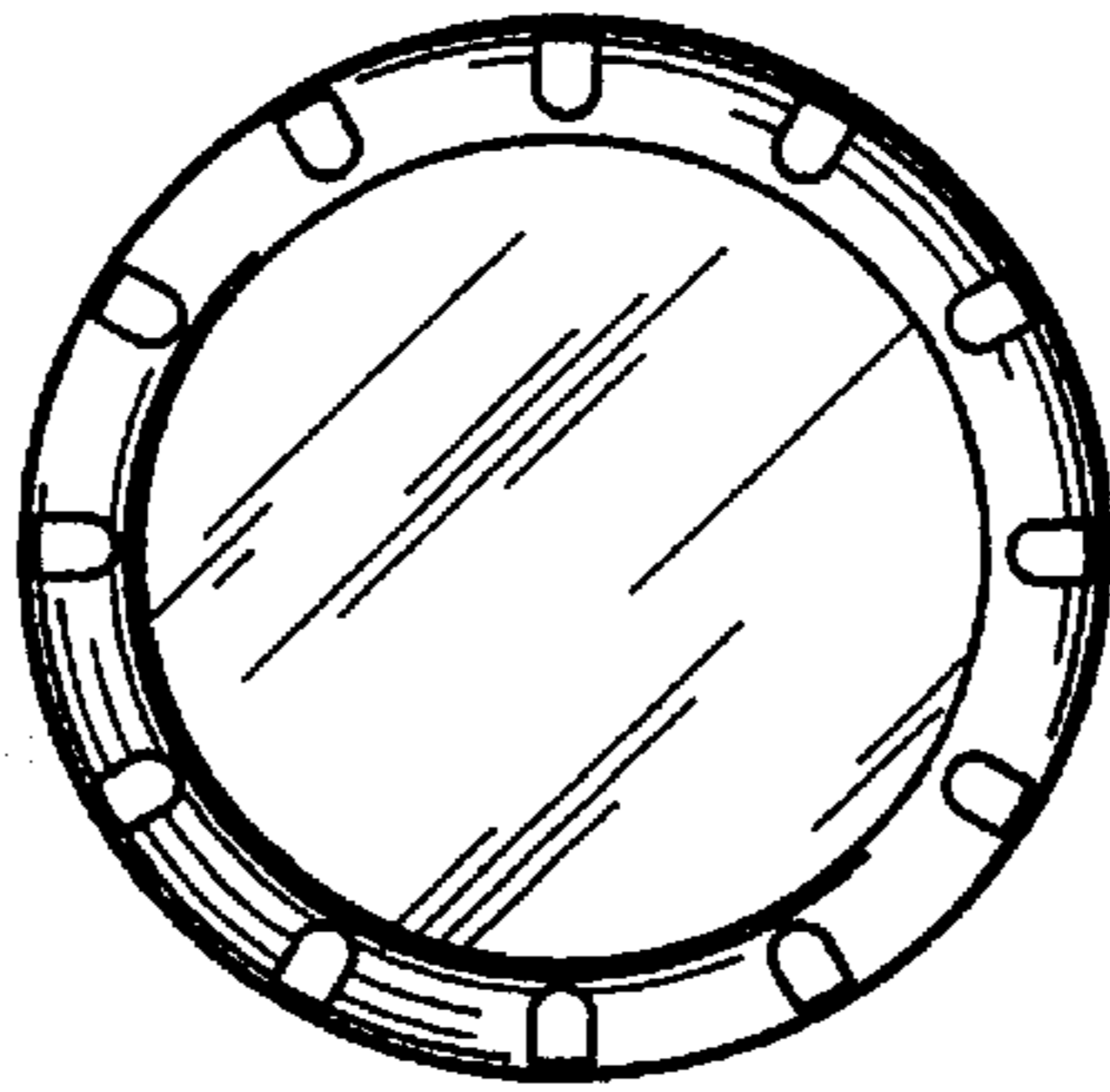
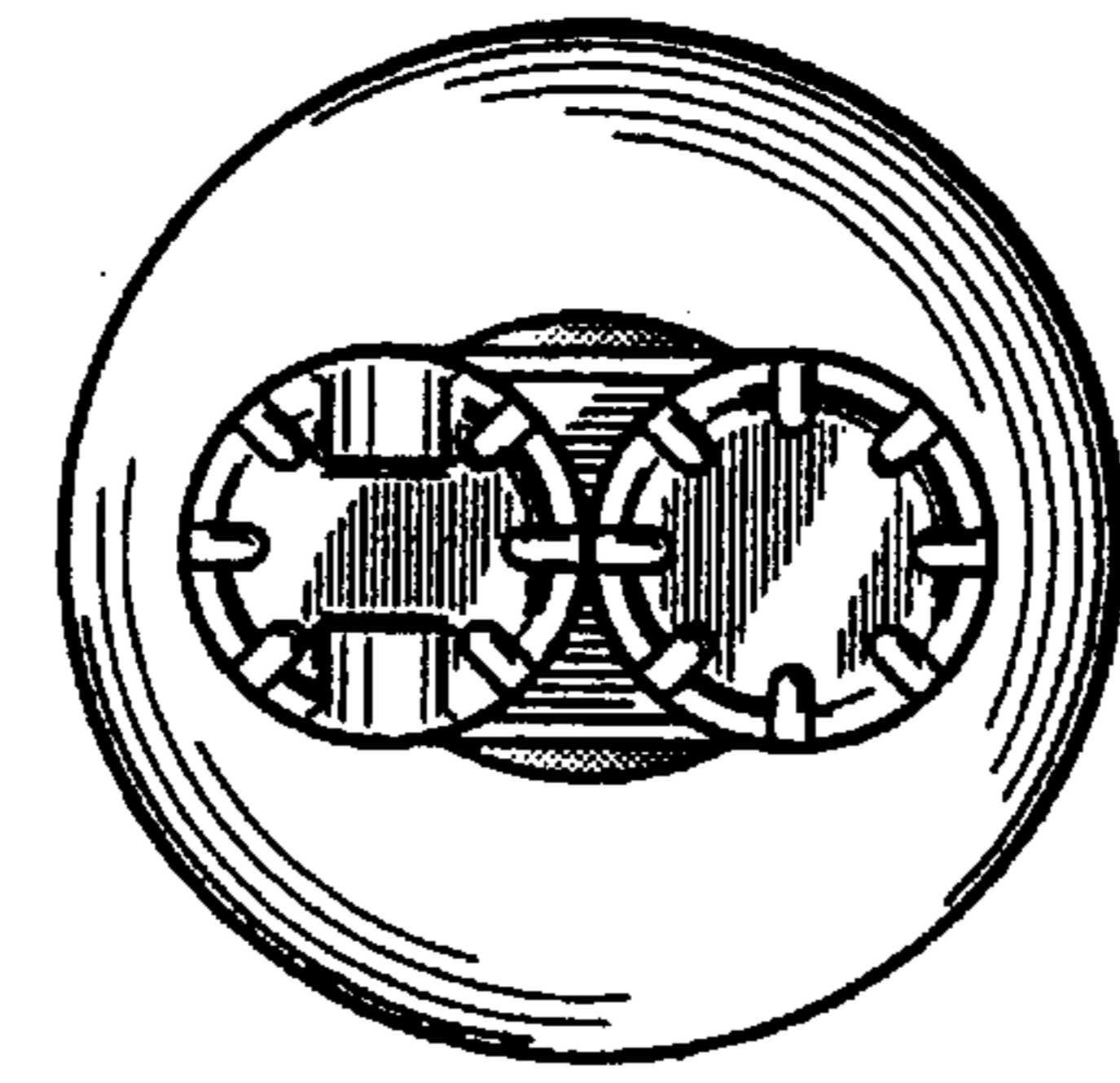
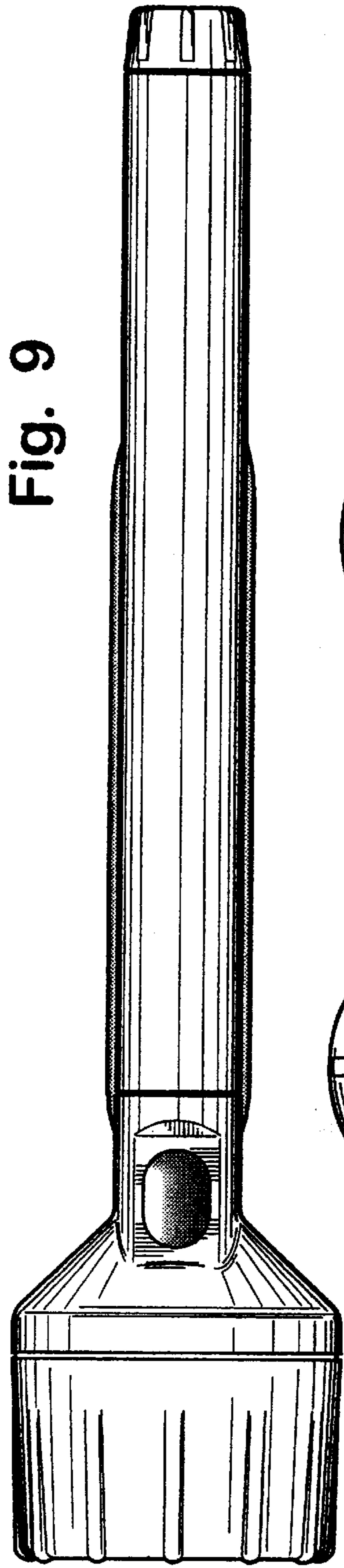


Fig. 7

Fig. 8



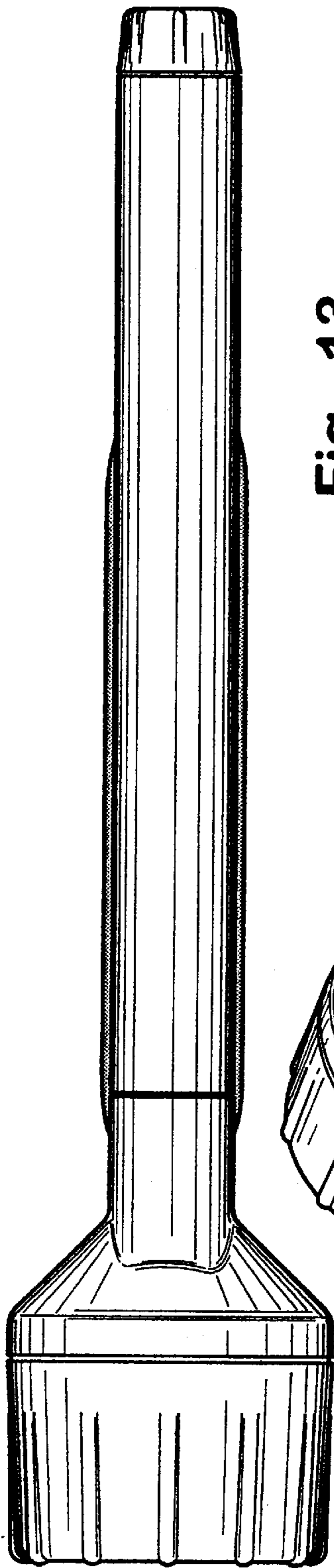


Fig. 13

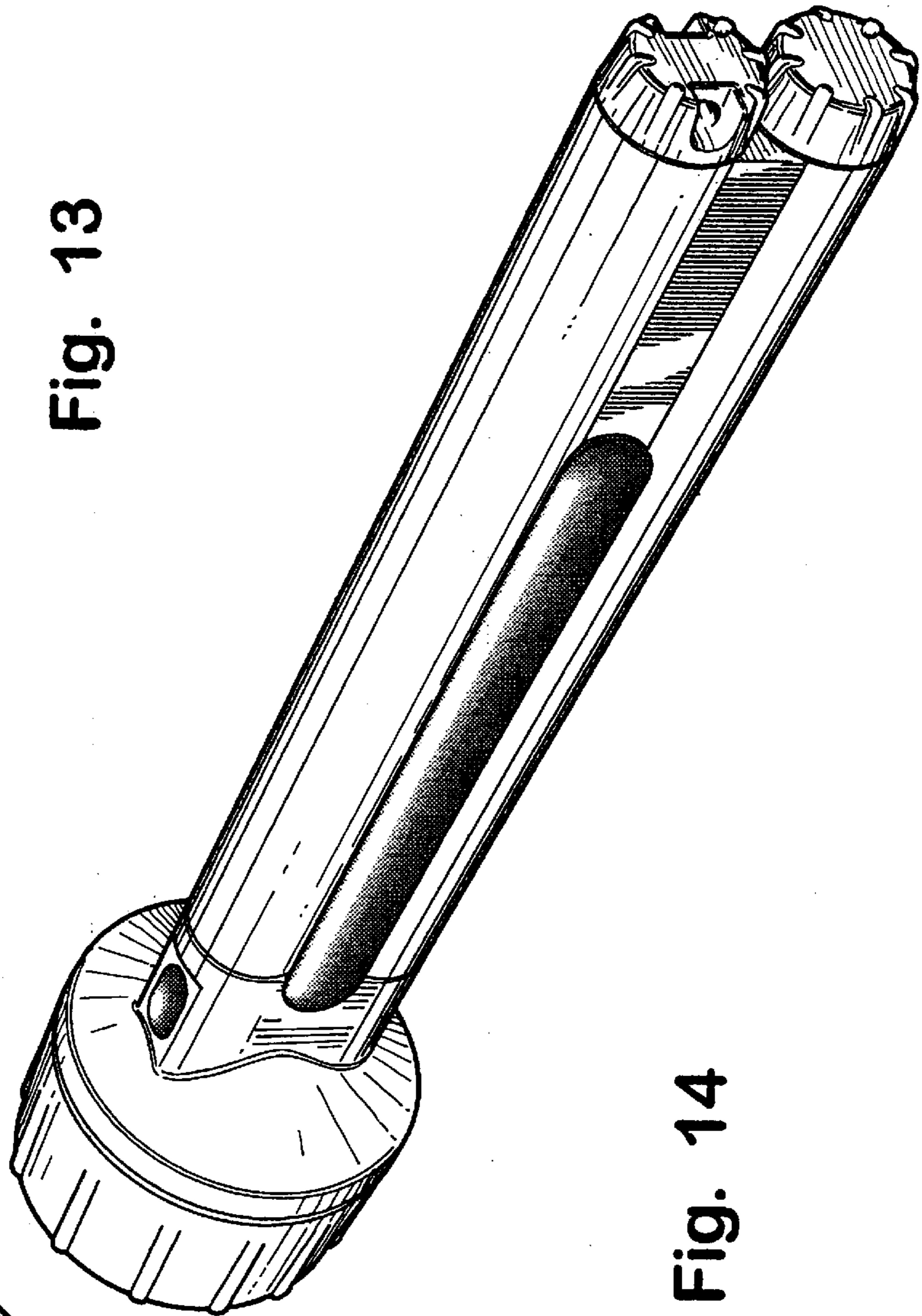


Fig. 14

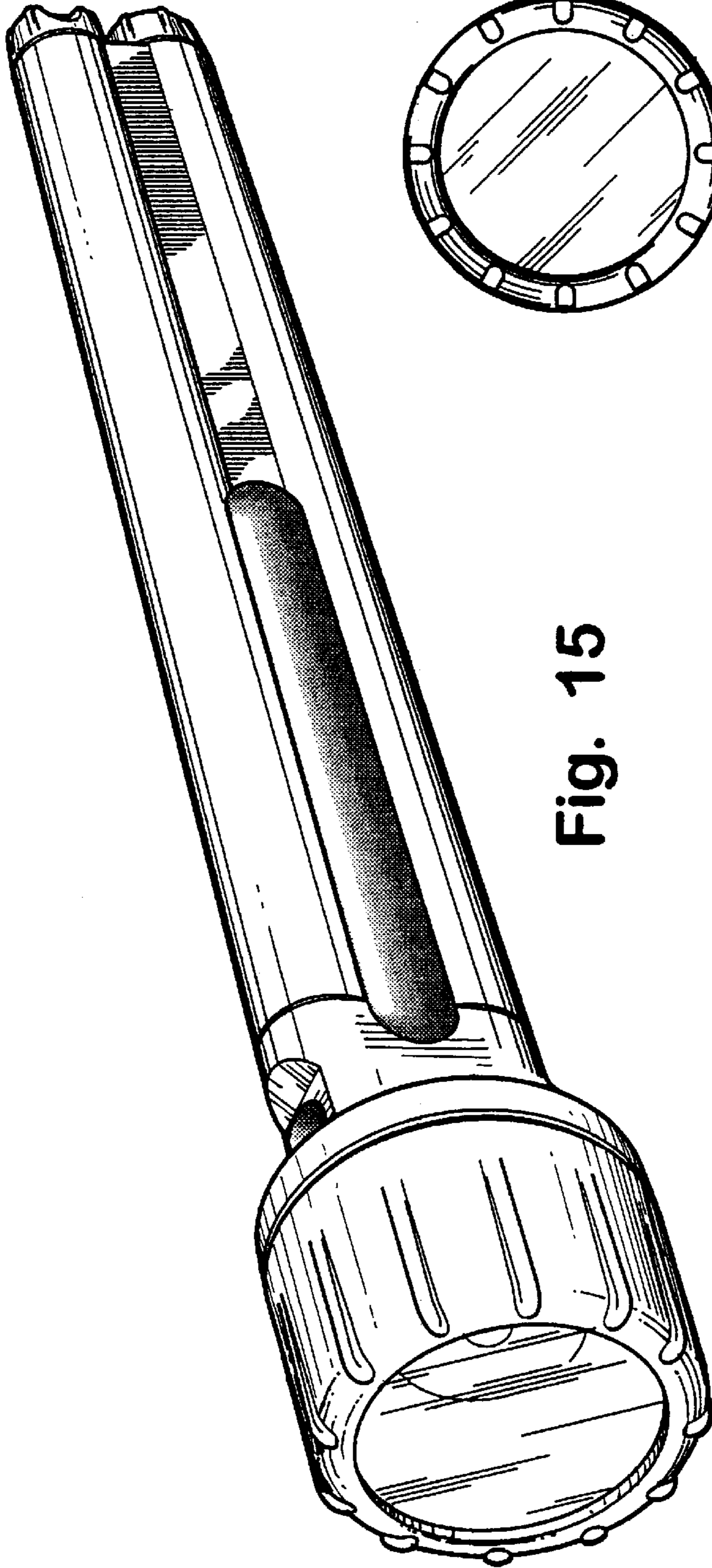


Fig. 15

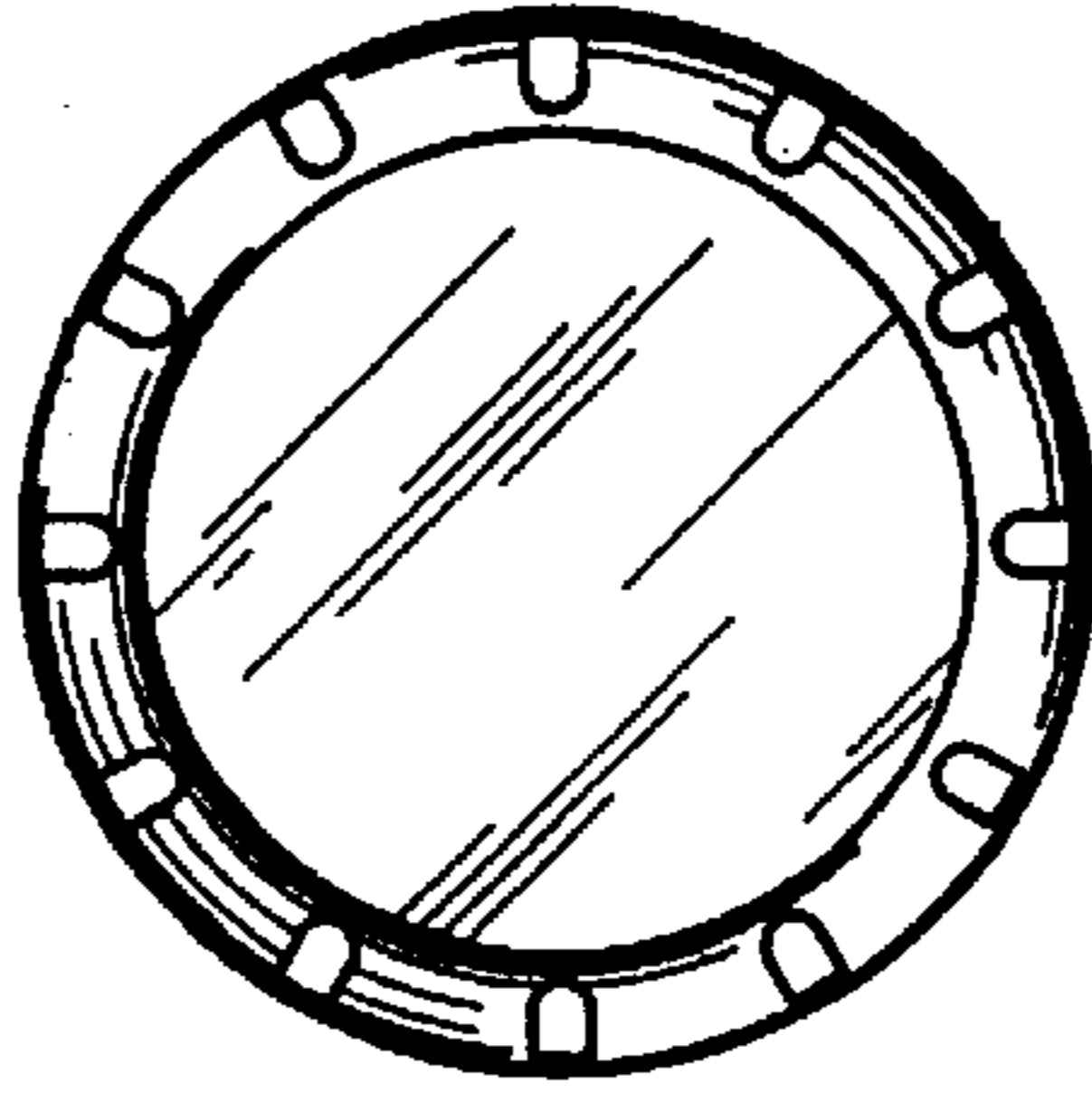


Fig. 17

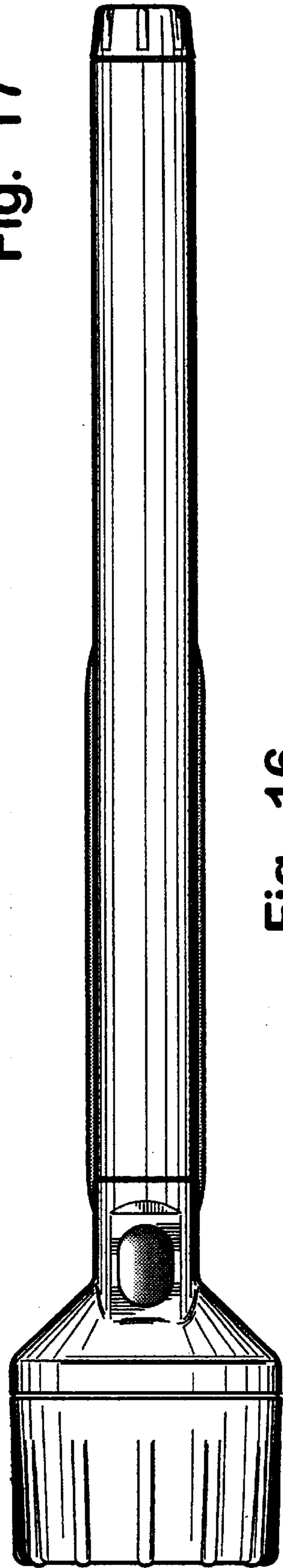


Fig. 16

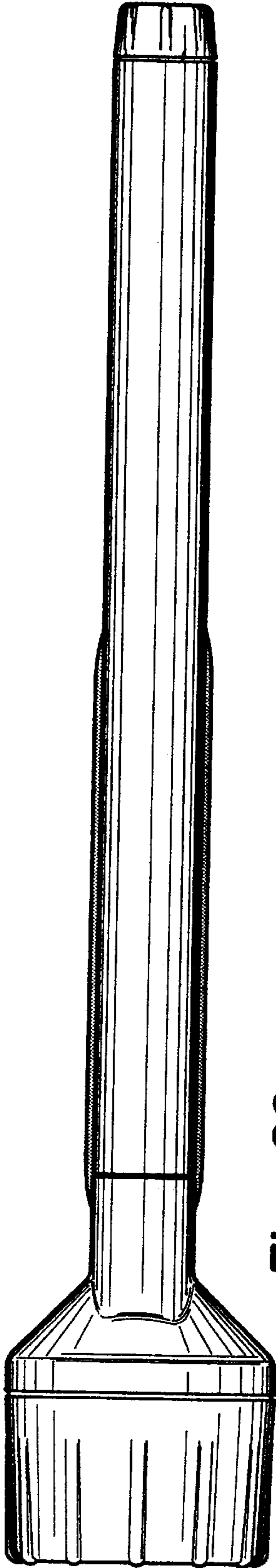


Fig. 20

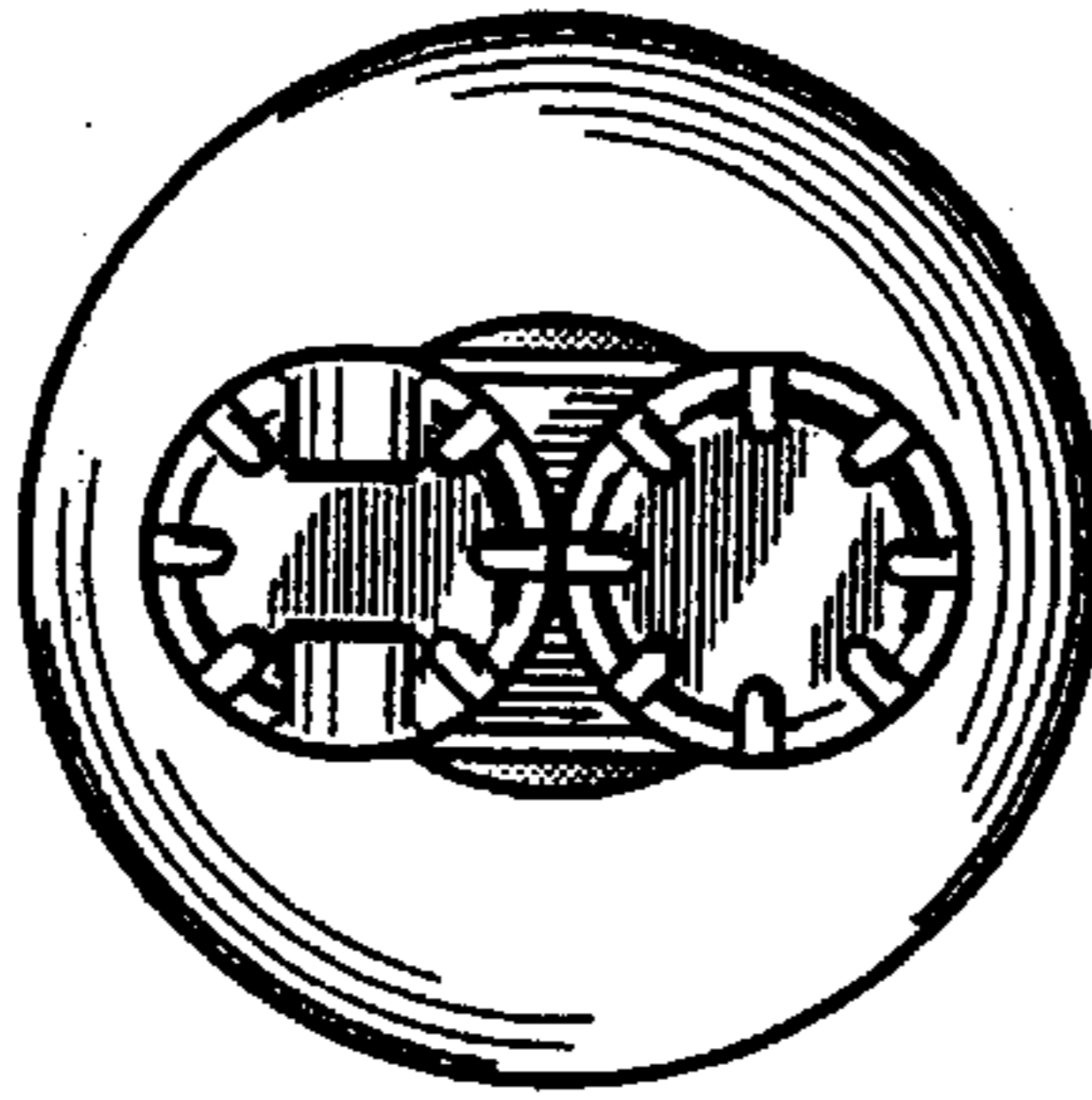


Fig. 18

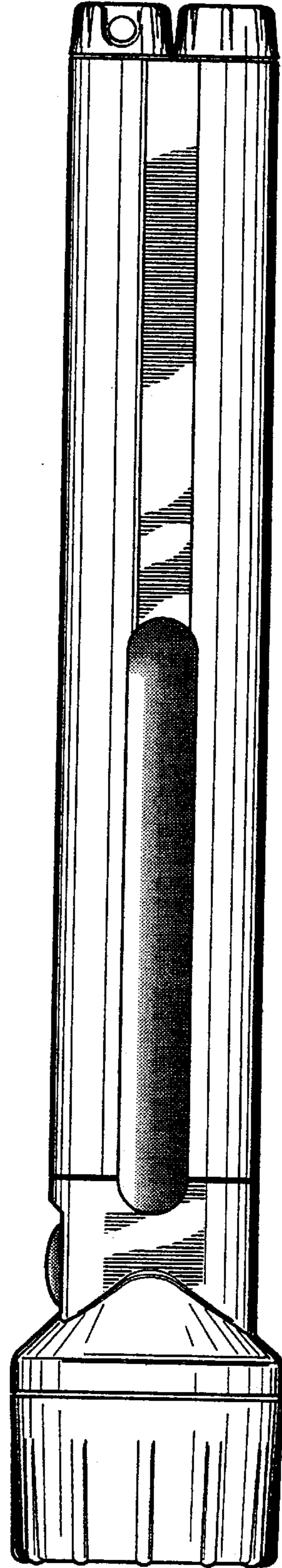


Fig. 19

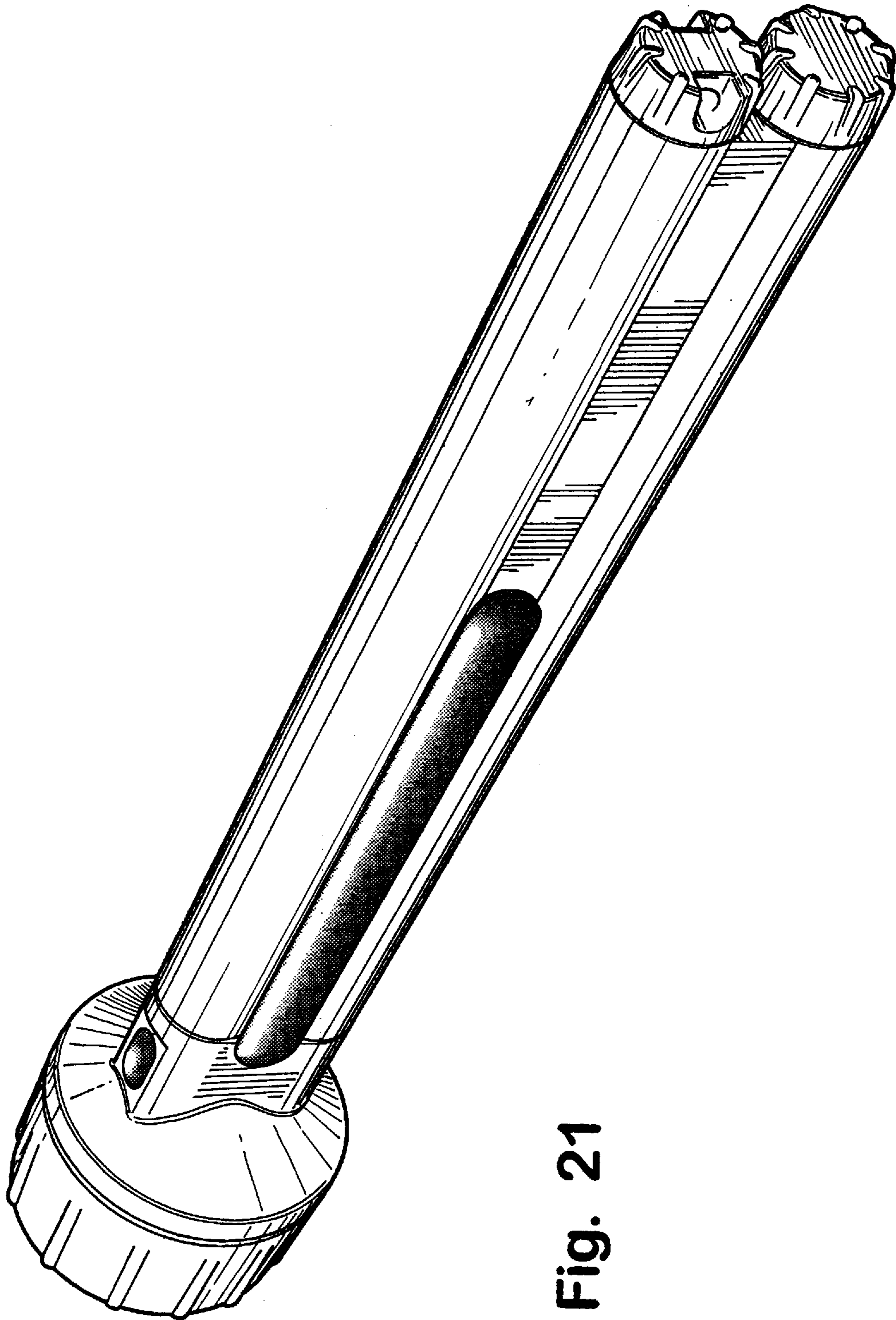


Fig. 21

UNITED STATES PATENT AND TRADEMARK OFFICE
CERTIFICATE OF CORRECTION

PATENT NO. : D.404,153
DATED : January 12, 1999
INVENTOR(S) : David R. Dalton et al.

It is certified that error appears in the above-identified patent and that said Letters Patent is hereby corrected as shown below:

Description, Fig. 8, Line 2;
Delete “, showing our new design”.

Signed and Sealed this
First Day of June, 1999



Q. TODD DICKINSON

Acting Commissioner of Patents and Trademarks

Attest:

Attesting Officer