



US00D404150S

United States Patent [19]
Jacobsmeier

[11] **Patent Number: Des. 404,150**

[45] **Date of Patent: **Jan. 12, 1999**

[54] **FENCE POST FORMED OF A RECYCLED MATERIAL**

[76] Inventor: **Donald W. Jacobsmeier**, 1117
Timberlane Dr., St. Louis, Mo. 63122

[**] Term: **14 Years**

[21] Appl. No.: **73,148**

[22] Filed: **Jul. 1, 1997**

[51] **LOC (6) Cl.** **25-01**

[52] **U.S. Cl.** **D25/126**

[58] **Field of Search** D25/126, 42, 43,
D25/44; 52/169.13, 301, 169.9, 153, 154;
256/DIG. 5, 21, 22, 19, 47, 51, 64-65

[56] **References Cited**

U.S. PATENT DOCUMENTS

349,245	9/1886	Yount et al.	52/153
D. 359,570	6/1995	Garber	D25/126
2,904,314	9/1959	Thom	256/21
3,822,863	7/1974	Bidwell	52/153

Primary Examiner—Doris Clark

Attorney, Agent, or Firm—Polster, Lieder, Woodruff & Lucchesi LC

[57] **CLAIM**

The ornamental design for fence post formed of a recycled material, as shown and described.

DESCRIPTION

FIG. 1 is a front elevational view of the fence post formed of a recycled material, the broken lines disclosed therein are for illustrative purposes only and form no part of the claimed design;

FIG. 2 is a front elevational view of the fence post formed of a recycled material;

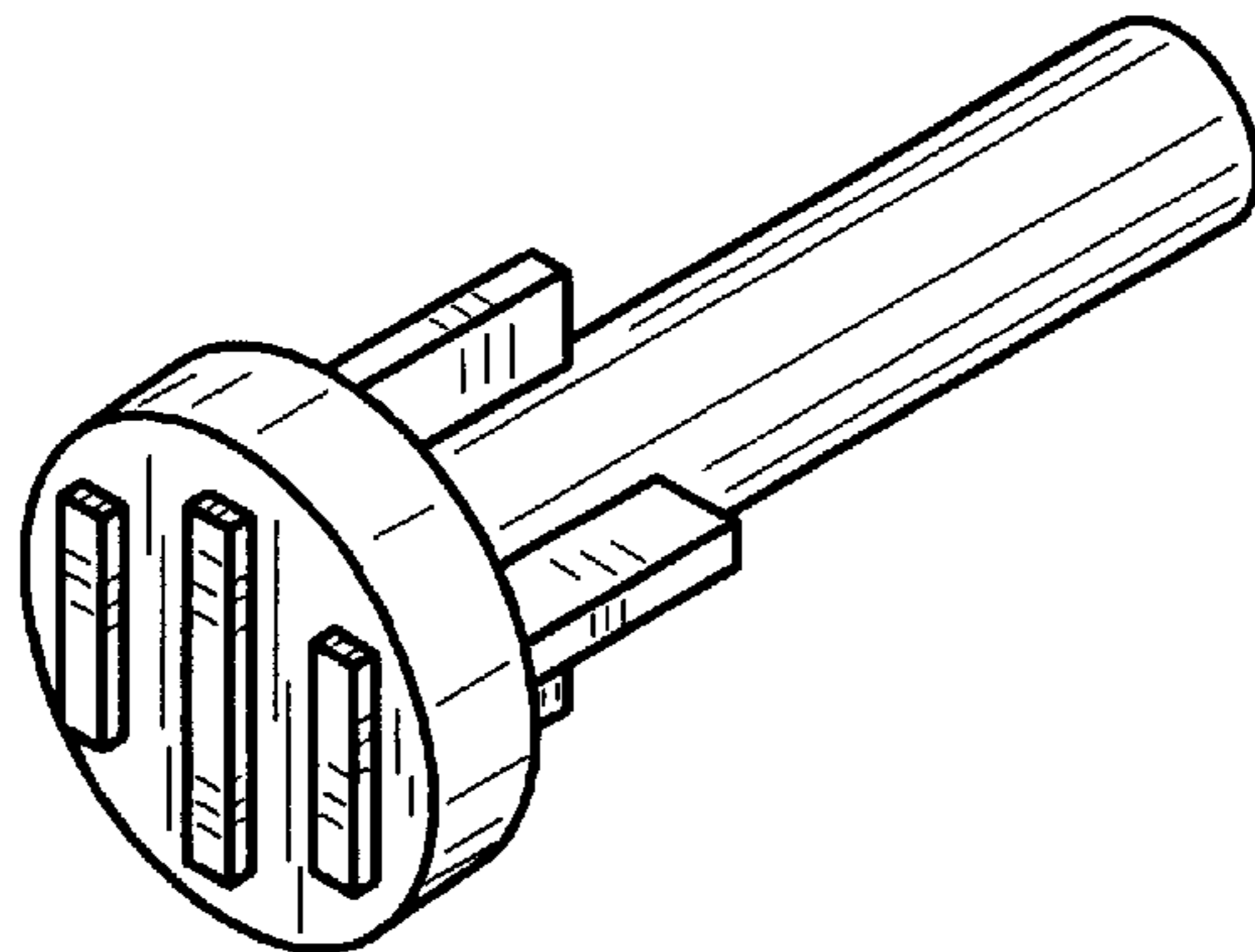
FIG. 3 is a rear elevational view of the fence post formed of a recycled material;

FIG. 4 is a top plan view of the fence post formed of a recycled material;

FIG. 5 is a bottom plan view of the fence post formed of a recycled material; and,

FIG. 6 is a perspective view of the fence post formed of a recycled material as viewed from the bottom thereof.

1 Claim, 1 Drawing Sheet



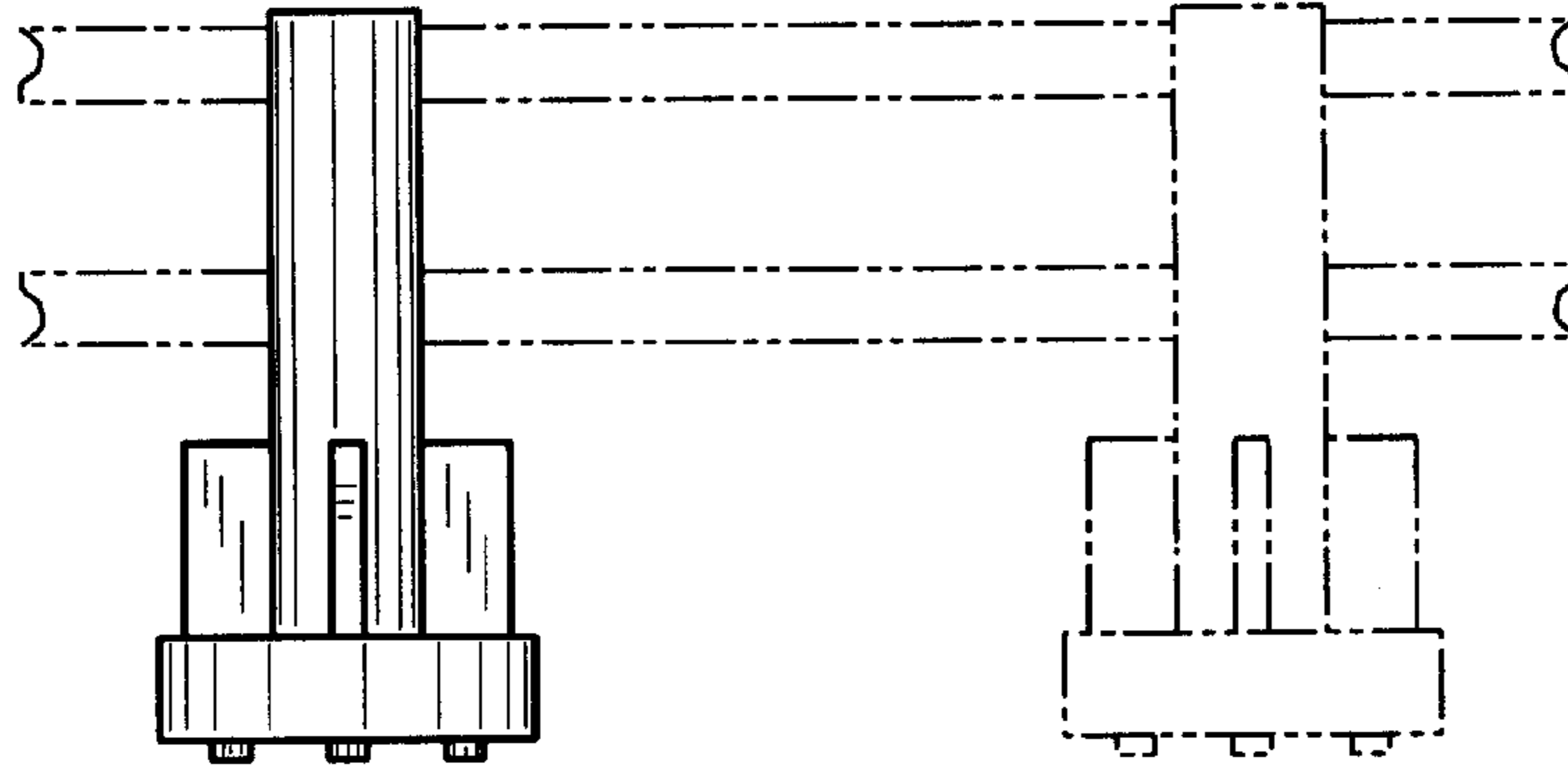


FIG. 1

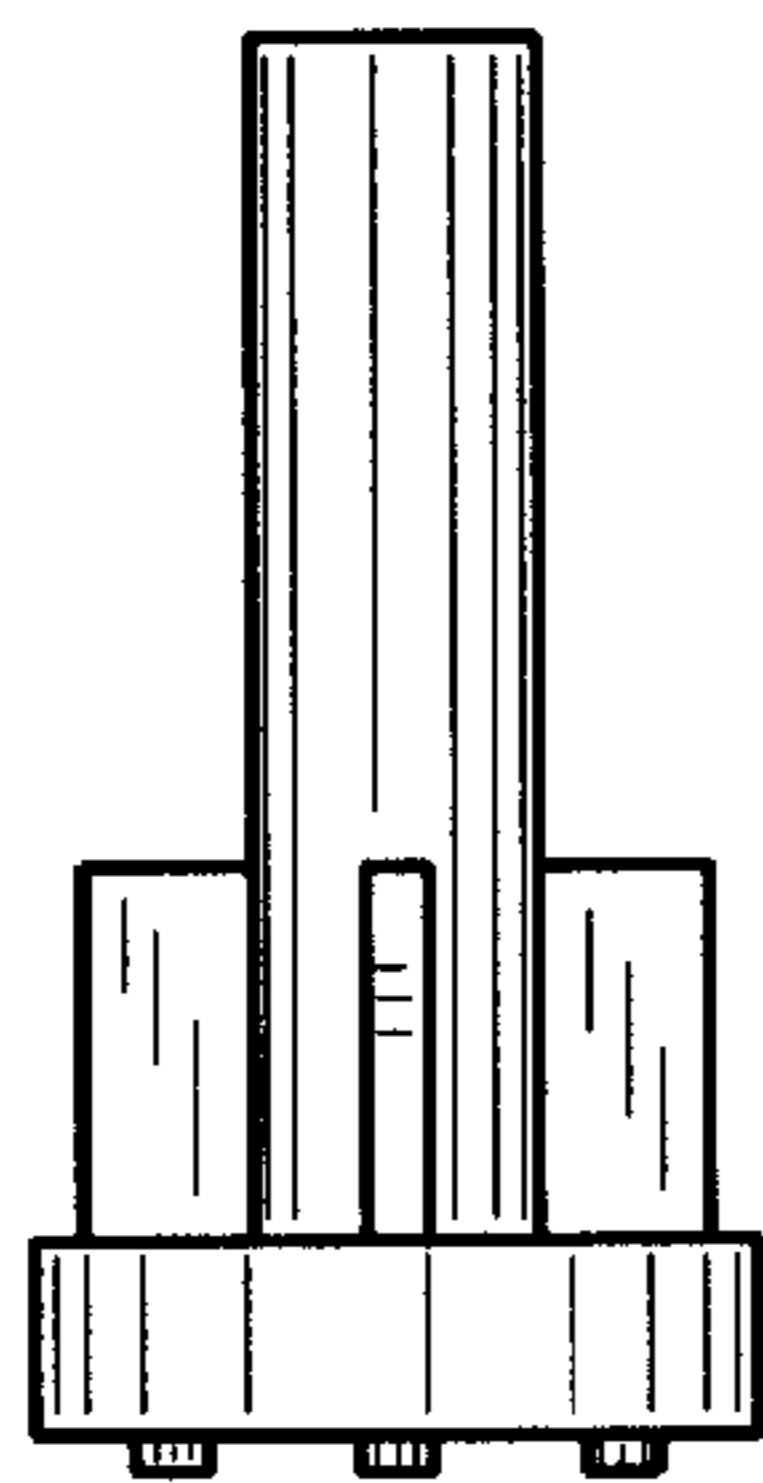


FIG. 2

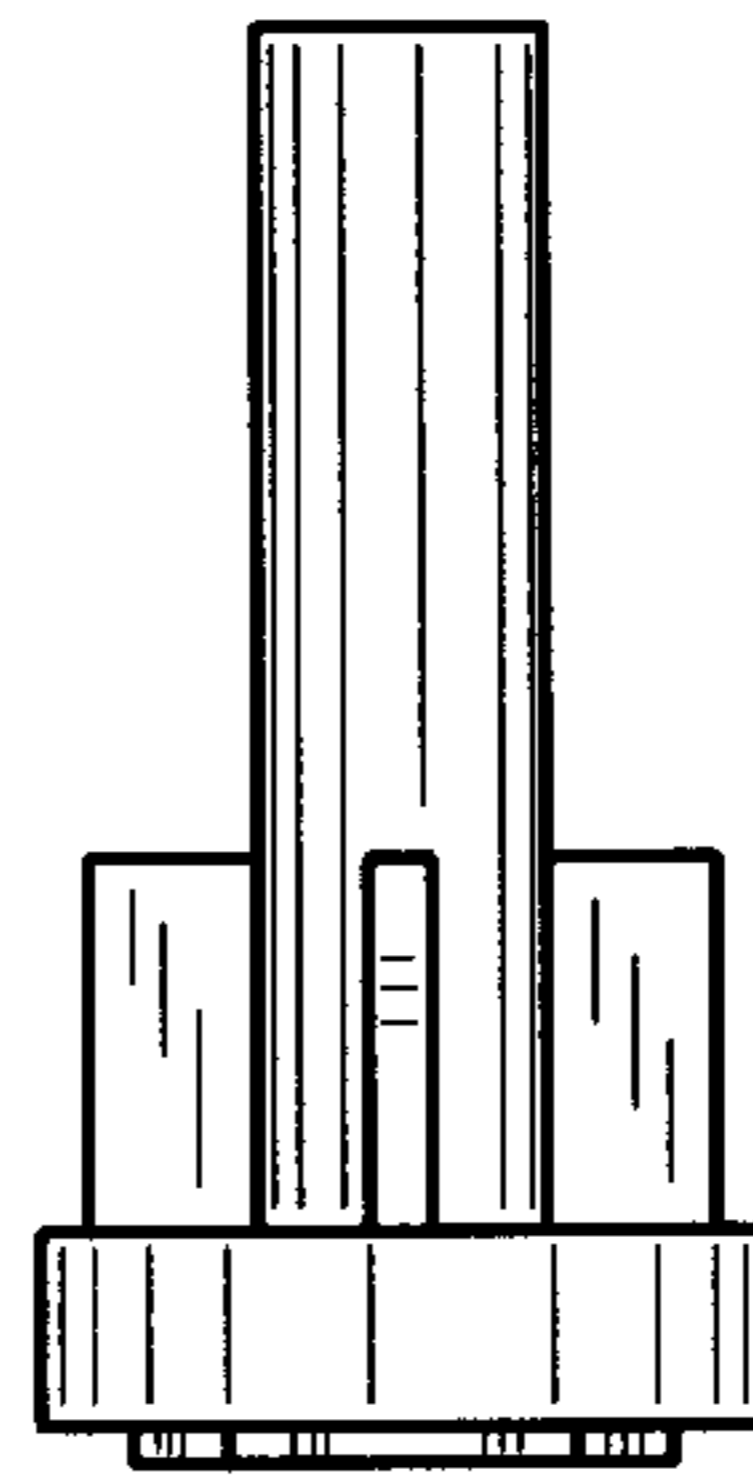


FIG. 3

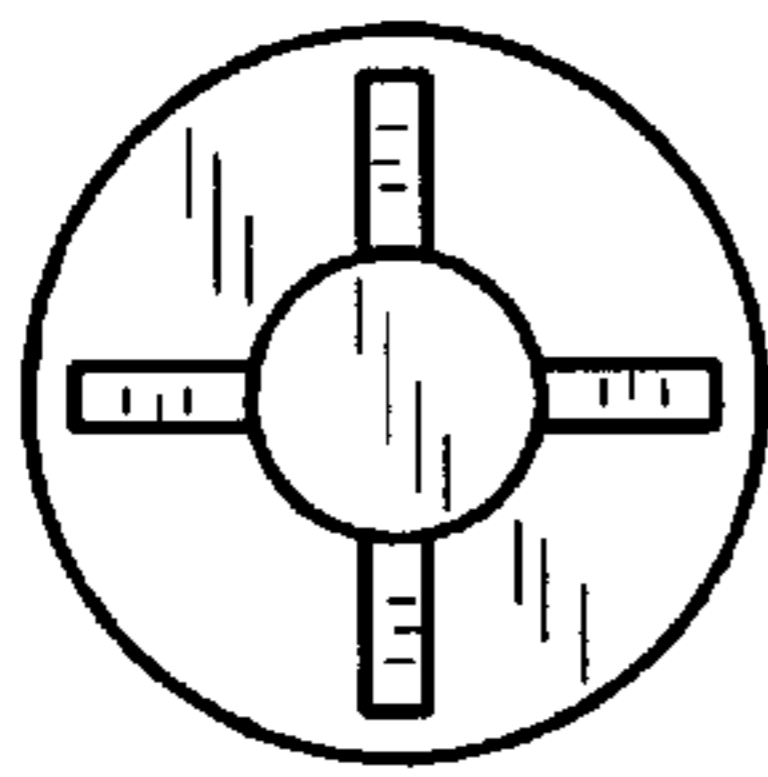


FIG. 4

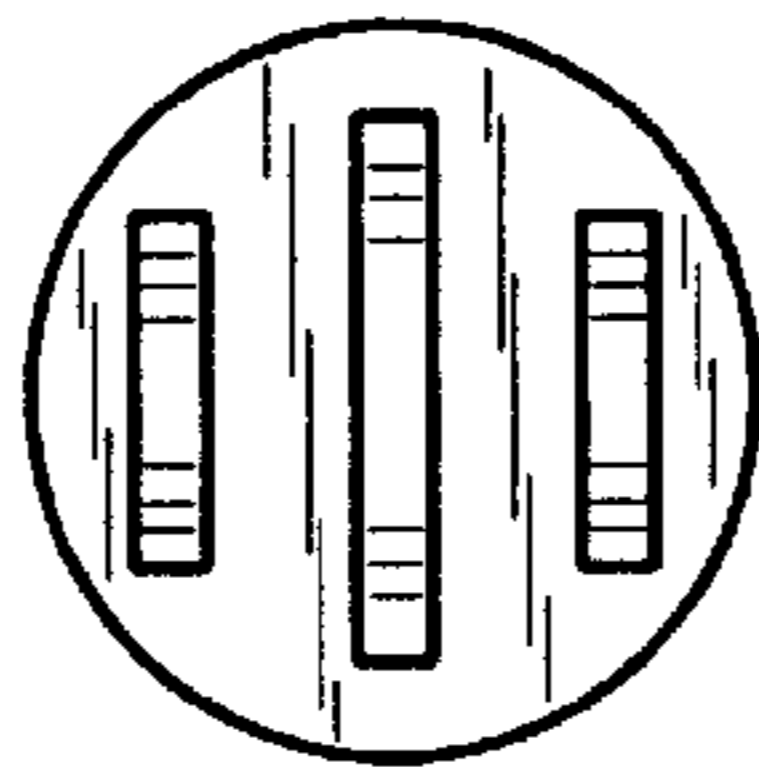


FIG. 5

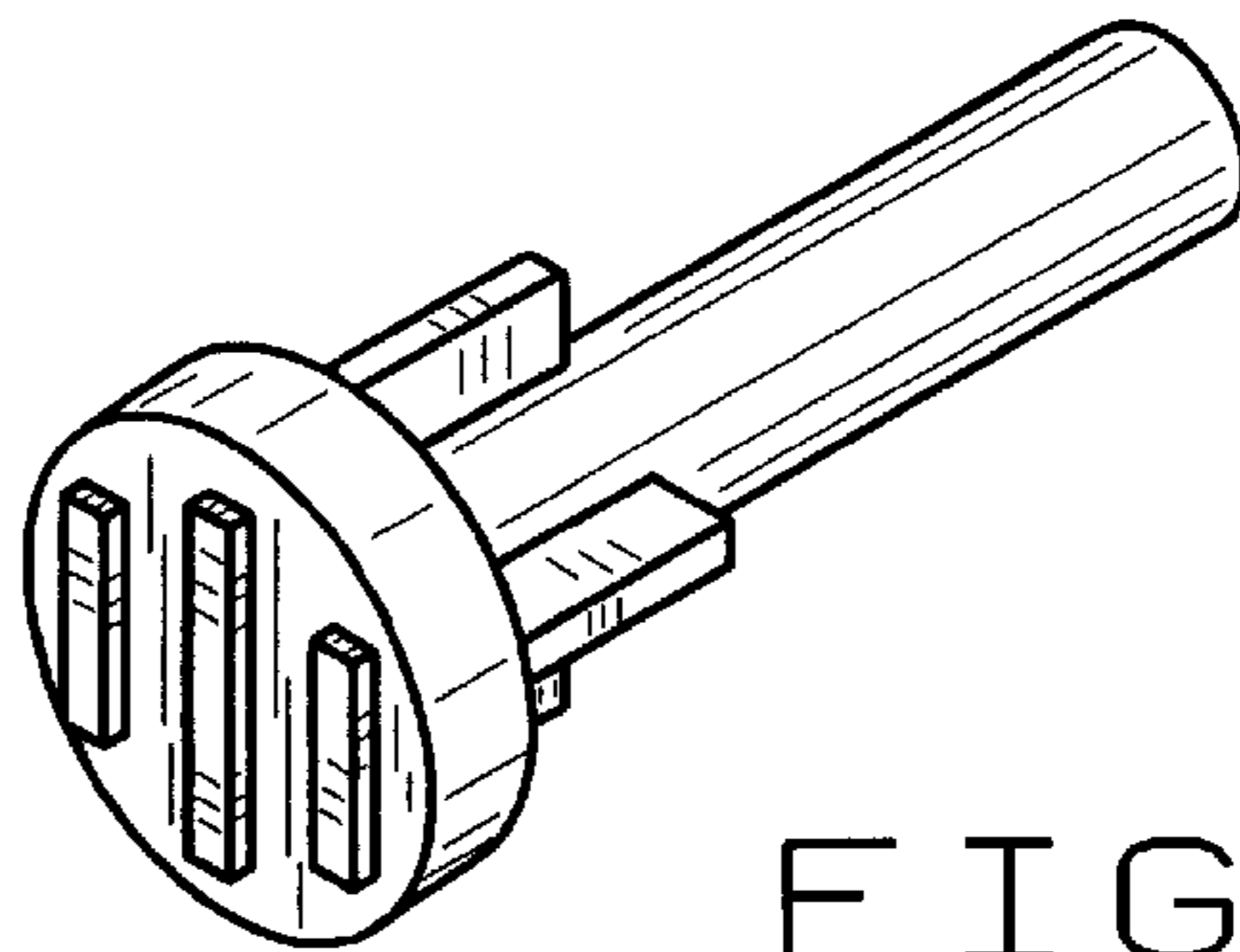


FIG. 6