



US00D404146S

United States Patent [19]
Perkins

[11] **Patent Number: Des. 404,146**

[45] **Date of Patent: **Jan. 12, 1999**

[54] **COMBINED KEYLOCK FACING PANEL AND H-SHAPED RETAINING WALL BLOCK**

[75] Inventor: **Garry R. Perkins**, Rolling Meadows, Ill.

[73] Assignee: **G. P. Industries, Inc.**, Schaumburg, Ill.

[**] Term: **14 Years**

[21] Appl. No.: **42,710**

[22] Filed: **Jul. 19, 1995**

[51] **LOC (6) Cl.** **25-01**

[52] **U.S. Cl.** **D25/113**

[58] **Field of Search** D25/103, 113-118;
D21/108; 52/592.1, 592.4, 592.6, 591.4, 604

[56] **References Cited**

U.S. PATENT DOCUMENTS

- D. 299,067 12/1988 Forsberg D25/582
- D. 314,240 1/1991 Scheiwiler D25/113

- D. 317,048 5/1991 Forsberg D25/114
- 860,565 7/1907 Peetz 52/604
- 3,766,699 10/1973 Dinkel 52/591.4
- 5,337,527 8/1994 Wagenaar 52/604
- 5,353,569 10/1994 Rodrique 52/604
- 5,361,557 11/1994 Snyder et al. 52/604
- 5,465,544 11/1995 Ghahary D25/113

Primary Examiner—Raphael Barkai
Attorney, Agent, or Firm—Fitch, Even, Tabin & Flannery

[57] **CLAIM**

I claim the ornamental design for a combined keylock facing panel and H-shaped retaining wall block, as shown and described.

DESCRIPTION

FIG. 1 is a perspective view of a combined keylock facing panel and H-shaped retaining wall block showing my new design;
FIG. 2 is a top plan view thereof; and,
FIG. 3 is a rear elevational view thereof.

1 Claim, 2 Drawing Sheets

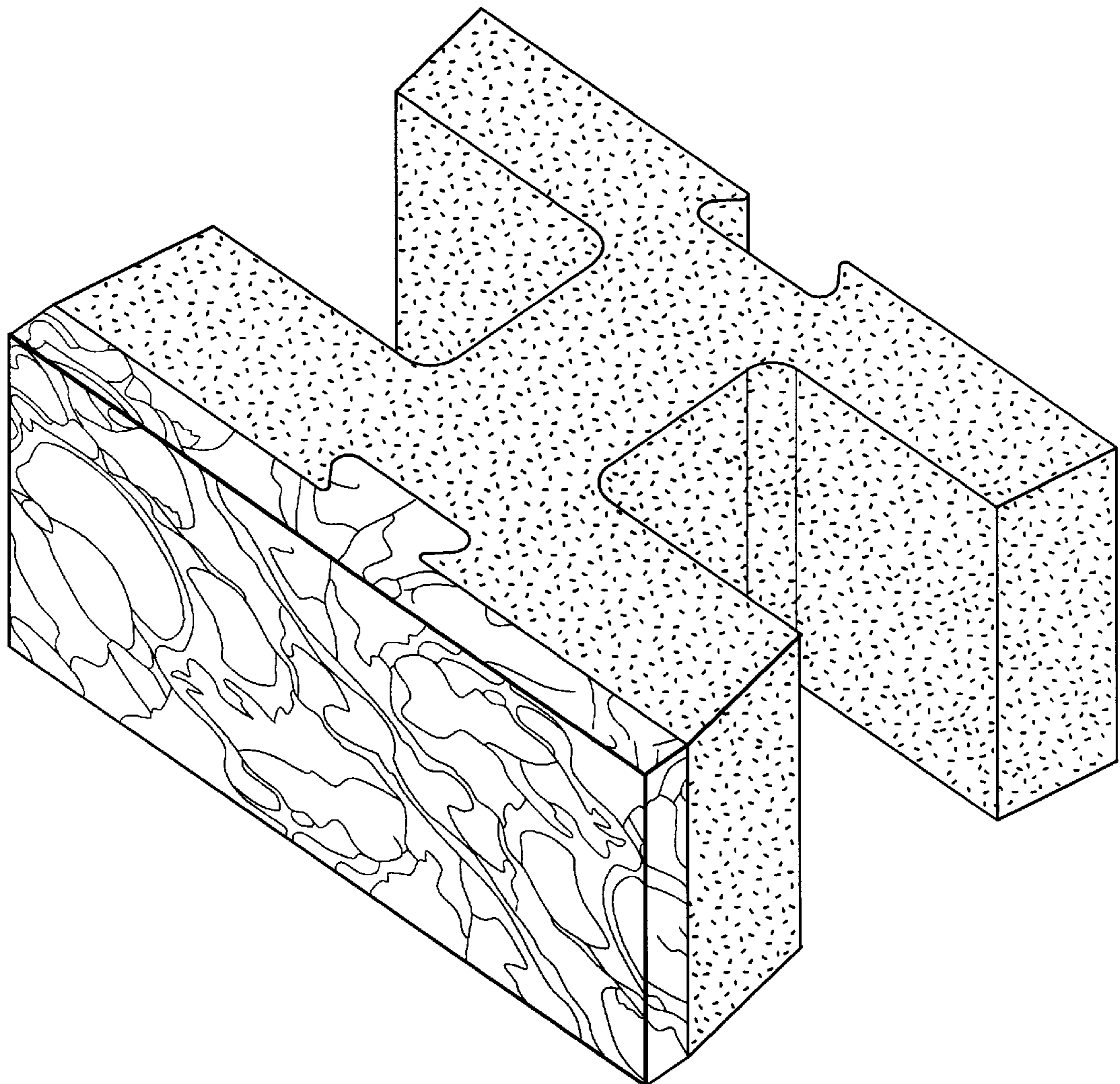


Fig. 1

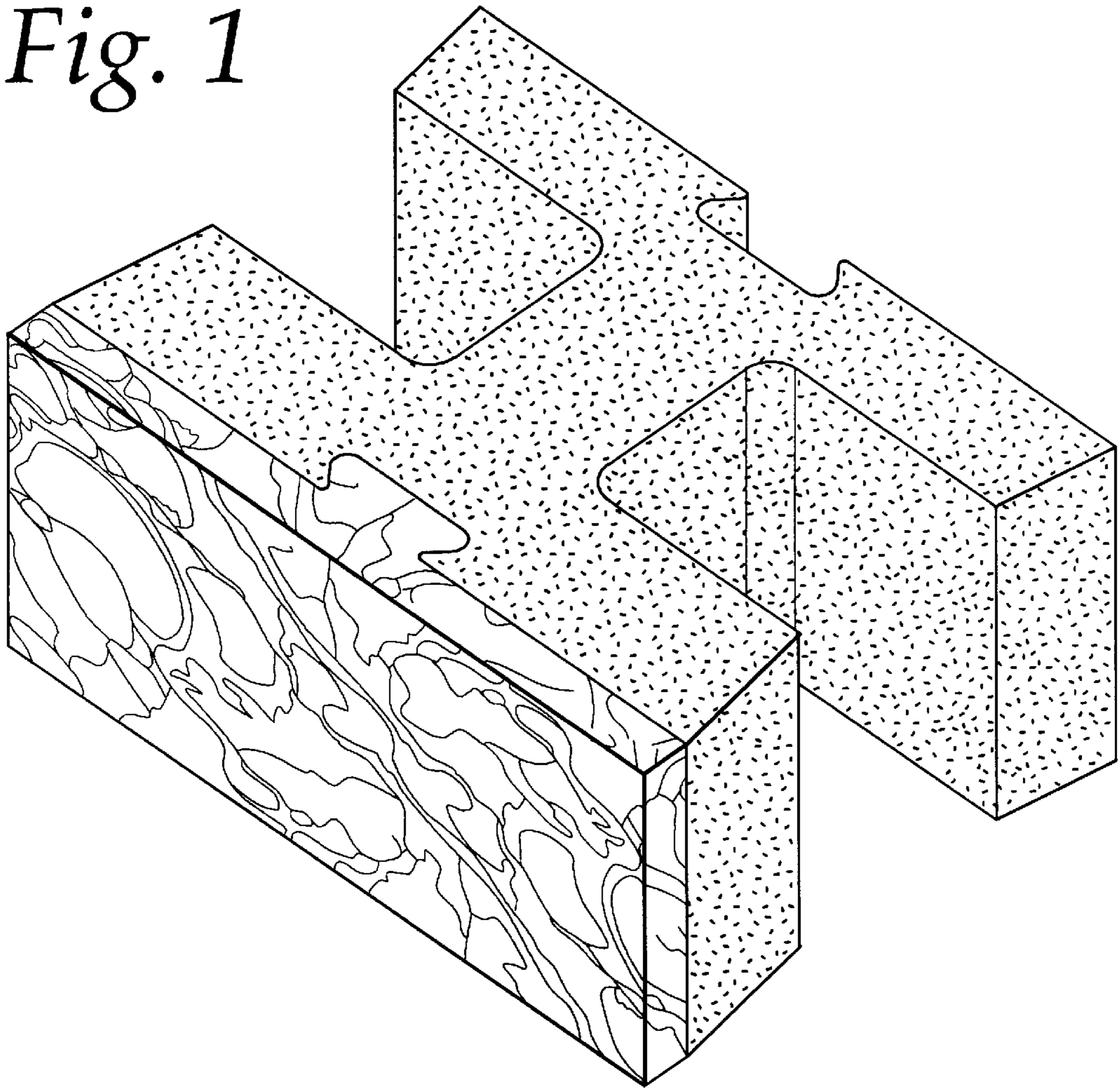


Fig. 2

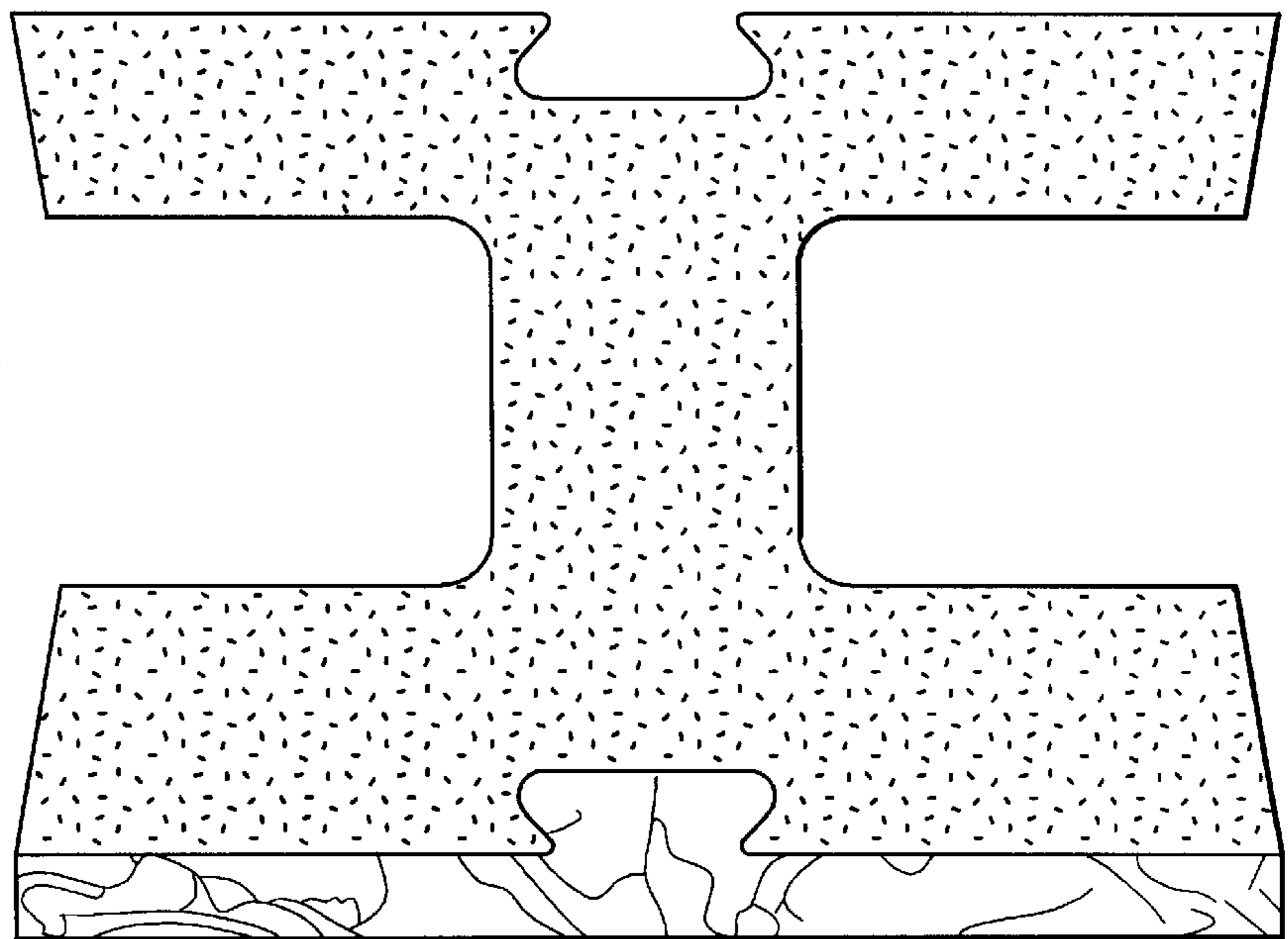


Fig. 3

