



US00D404144S

# United States Patent [19] Fisher

[11] **Patent Number: Des. 404,144**

[45] **Date of Patent: \*\*Jan. 12, 1999**

[54] **CONSTRUCTION BLOCK**

[76] Inventor: **Myles A. Fisher**, 2003 E. Mallory St., Pensacola, Fla. 32503

[\*\*] Term: **14 Years**

[21] Appl. No.: **73,554**

[22] Filed: **Jul. 9, 1997**

[51] **LOC (6) Cl. .... 25-01**

[52] **U.S. Cl. .... D25/103**

[58] **Field of Search** ..... D25/103, 113-118; D21/494; 52/592.1, 592.2, 592.3, 592.6, 604, 606, 589.1, 311.2, 566, 567, 314, 85, 307, 308; 446/110

[56] **References Cited**

**U.S. PATENT DOCUMENTS**

D. 249,558	9/1978	Blomqvist	.....	D25/113
D. 362,310	9/1995	Fleming et al.	.....	D23/103
1,782,147	11/1930	Merryweather	.	
2,196,109	4/1940	Eastus	.	

4,719,735	1/1988	Fleming, Jr. et al.	.....	D25/103
4,852,321	8/1989	Fleming, Jr. et al.	.....	D25/113
5,440,847	8/1995	Butler	.	

**OTHER PUBLICATIONS**

Sweet's Catalog, vol. 4, 1993.

*Primary Examiner*—Raphael Barkai  
*Attorney, Agent, or Firm*—Peter Loffler

[57] **CLAIM**

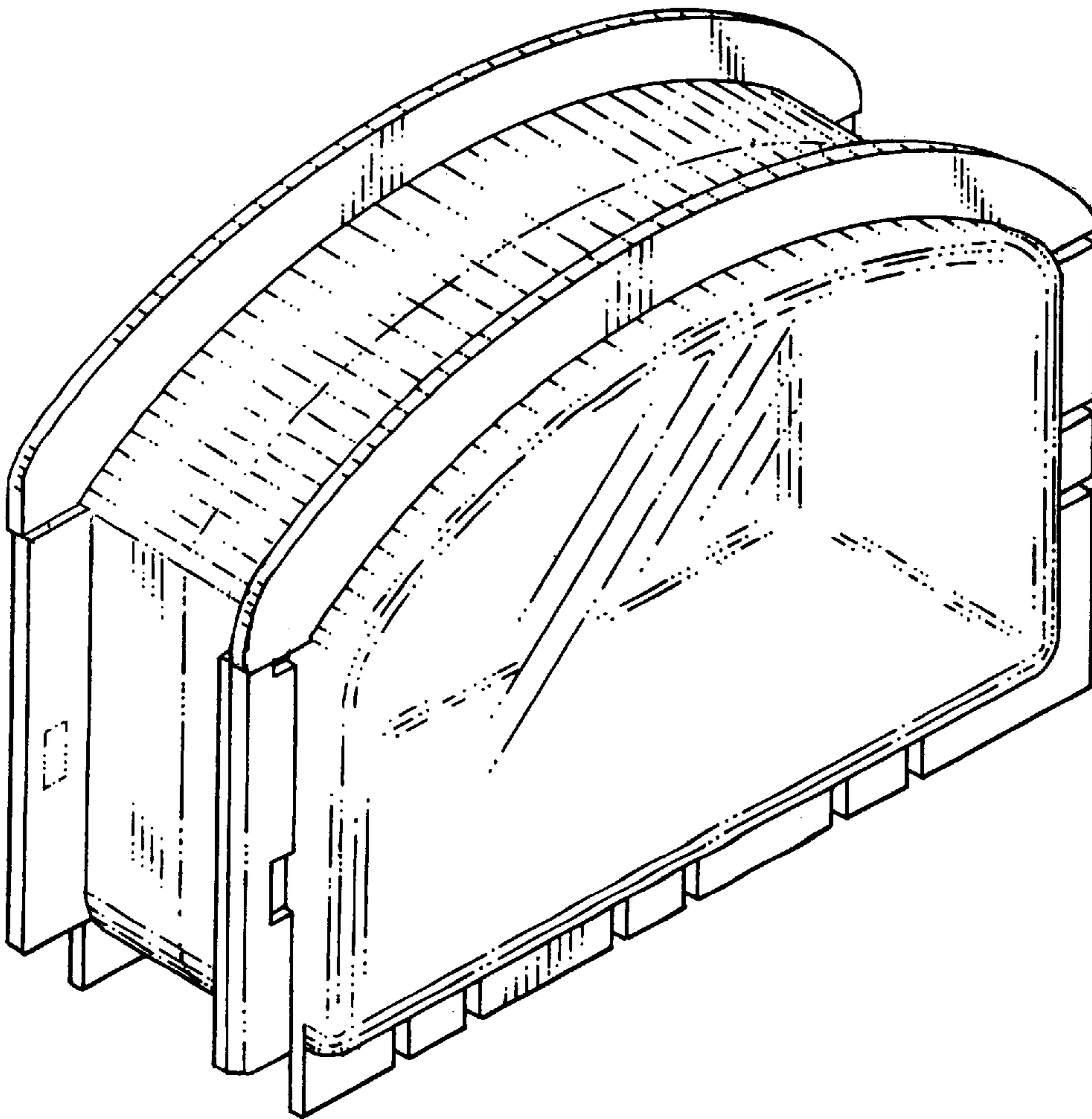
The ornamental design for a construction block, as shown and described.

**DESCRIPTION**

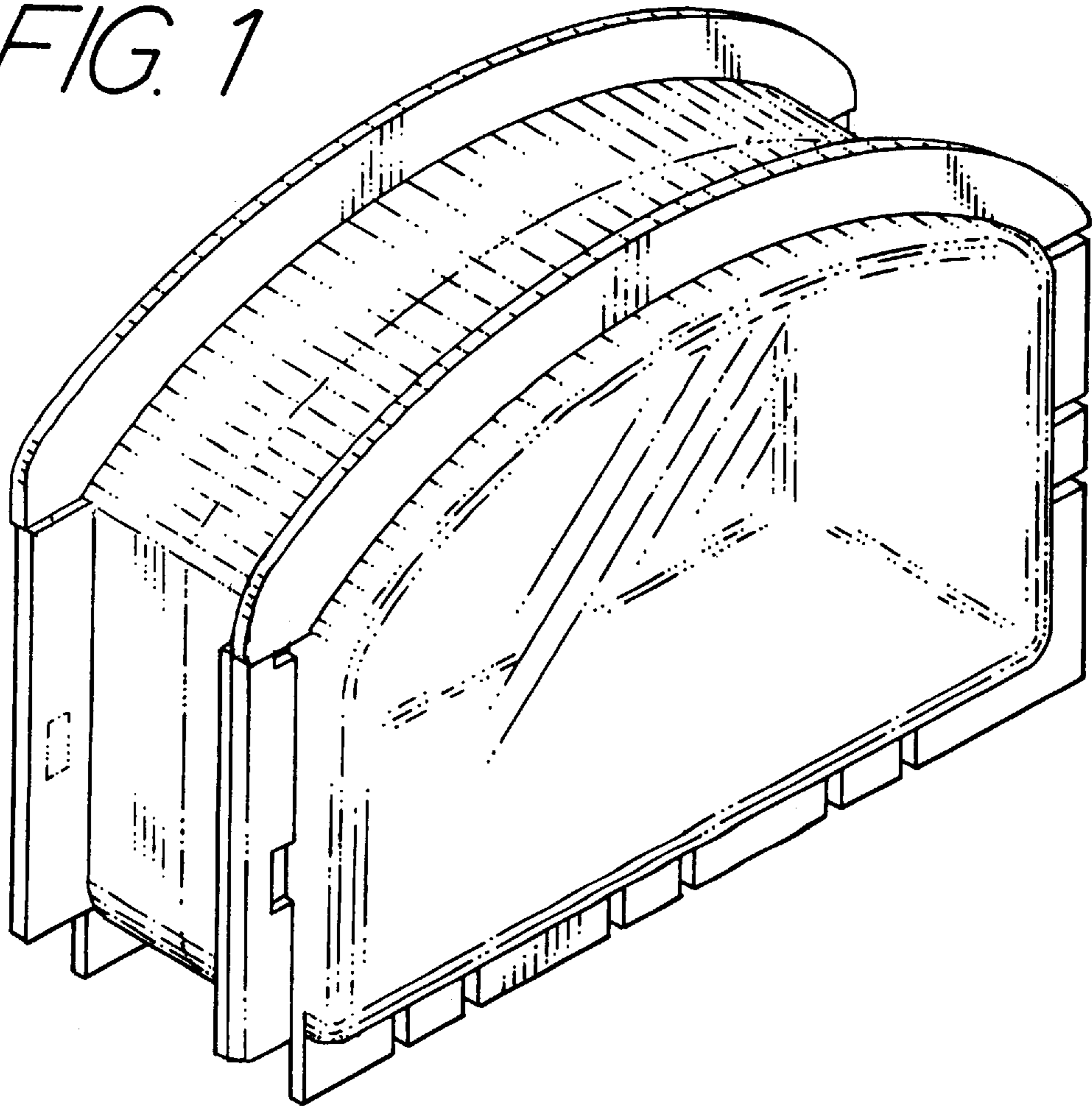
FIG. 1 is a perspective view of the construction block; FIG. 2 is a front elevation view thereof; FIG. 3 is a top plan view thereof; FIG. 4 is a left side elevation view thereof; and, FIG. 5 is a right side elevation view thereof.

The broken lines shown in FIG. 1 are for illustrative purposes only and form no part of the claimed design.

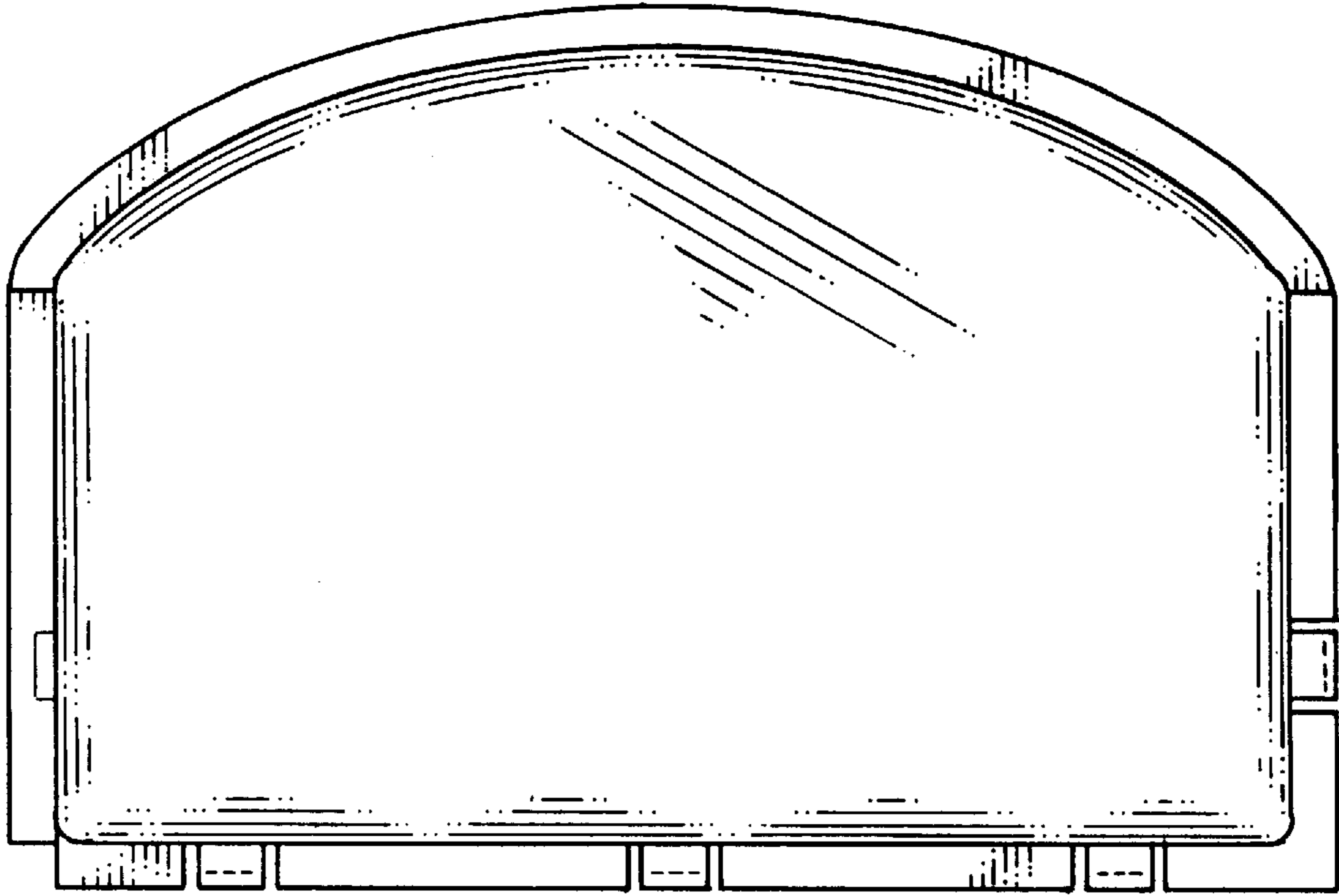
**1 Claim, 3 Drawing Sheets**



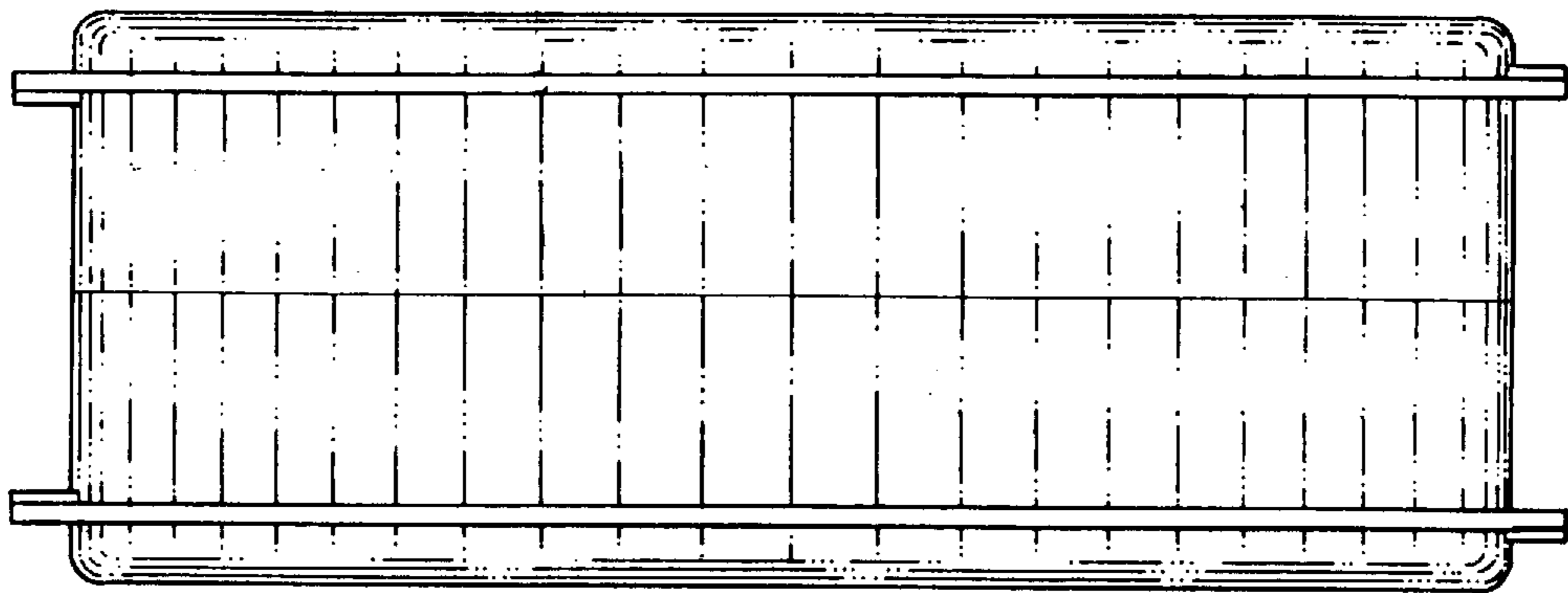
*FIG. 1*



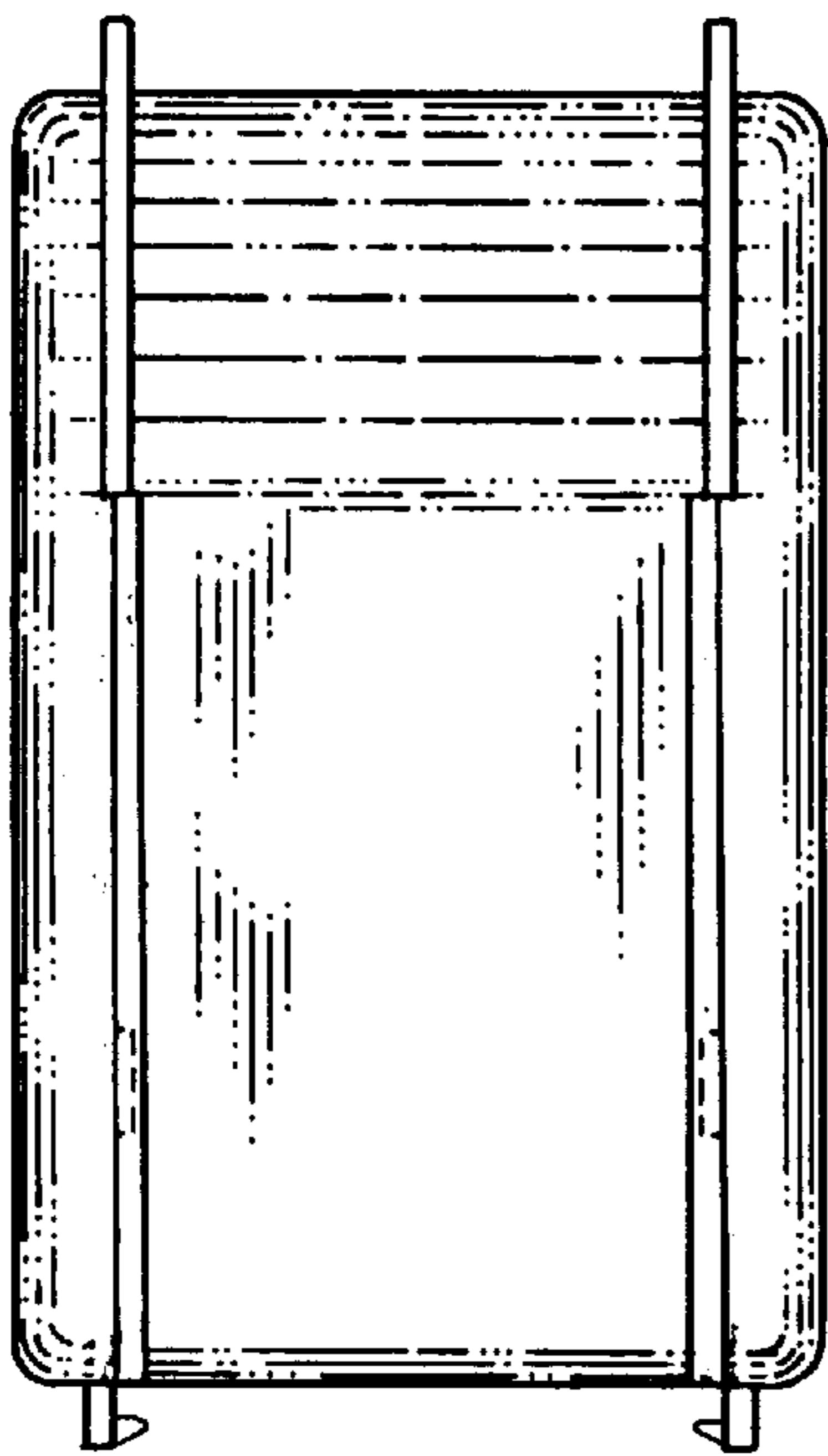
*FIG. 2*



*FIG. 3*



*FIG. 4*



*FIG. 5*

