



US00D404137S

United States Patent [19]

[11] Patent Number: Des. 404,137

Underwood et al.

[45] Date of Patent: **Jan. 12, 1999

[54] PACIFIER

[75] Inventors: **Ronald E. Underwood**, Hillsborough;
William E. Fitzpatrick, Wyckoff, both
of N.J.; **Aiden John Petrie**, Providence,
R.I.

[73] Assignee: **Playtex Products, Inc.**, Westport,
Conn.

[**] Term: **14 Years**

[21] Appl. No.: **76,255**

[22] Filed: **Sep. 3, 1997**

[51] **LOC (6) Cl.** **24-04**

[52] **U.S. Cl.** **D24/194**

[58] **Field of Search** D24/194, 193,
D24/196; 606/234, 235, 236

[56] **References Cited**

U.S. PATENT DOCUMENTS

- D. 194,769 3/1963 Moffat .
- D. 219,631 12/1970 Bartels et al. .
- D. 231,033 3/1974 Sofro .
- D. 237,222 10/1975 Moore .
- D. 237,554 11/1975 Hurst .
- D. 255,268 6/1980 Bernstein .
- D. 267,116 11/1982 Bubelis .
- D. 273,991 5/1984 Moore .
- D. 285,839 9/1986 Roehrig .
- D. 303,839 10/1989 Fitzpatrick et al. .
- D. 312,312 11/1990 Herritz .
- D. 334,064 3/1993 Fitzpatrick .
- D. 338,274 8/1993 Chuang D24/194
- D. 359,808 6/1995 Raghava D24/196

- D. 376,014 11/1996 McKenney .
- D. 380,836 7/1997 Fitzpatrick et al. .
- 3,267,937 8/1966 Verschoor .
- 3,669,117 6/1972 Herbst .
- 3,825,014 7/1974 Wroten .
- 3,924,621 12/1975 Cassimally .
- 4,132,232 1/1979 Lerner .
- 4,195,638 4/1980 Duckstein .
- 4,403,613 9/1983 Panicci .
- 4,493,324 1/1985 Johnston 606/236
- 4,765,037 8/1988 Perry .
- 4,909,253 3/1990 Cook et al. .
- 5,004,473 4/1991 Kalantar .
- 5,275,619 1/1994 Engebretson et al. .

Primary Examiner—Stella Reid
Attorney, Agent, or Firm—Ohlandt, Greeley, Ruggiero &
Perle LLP

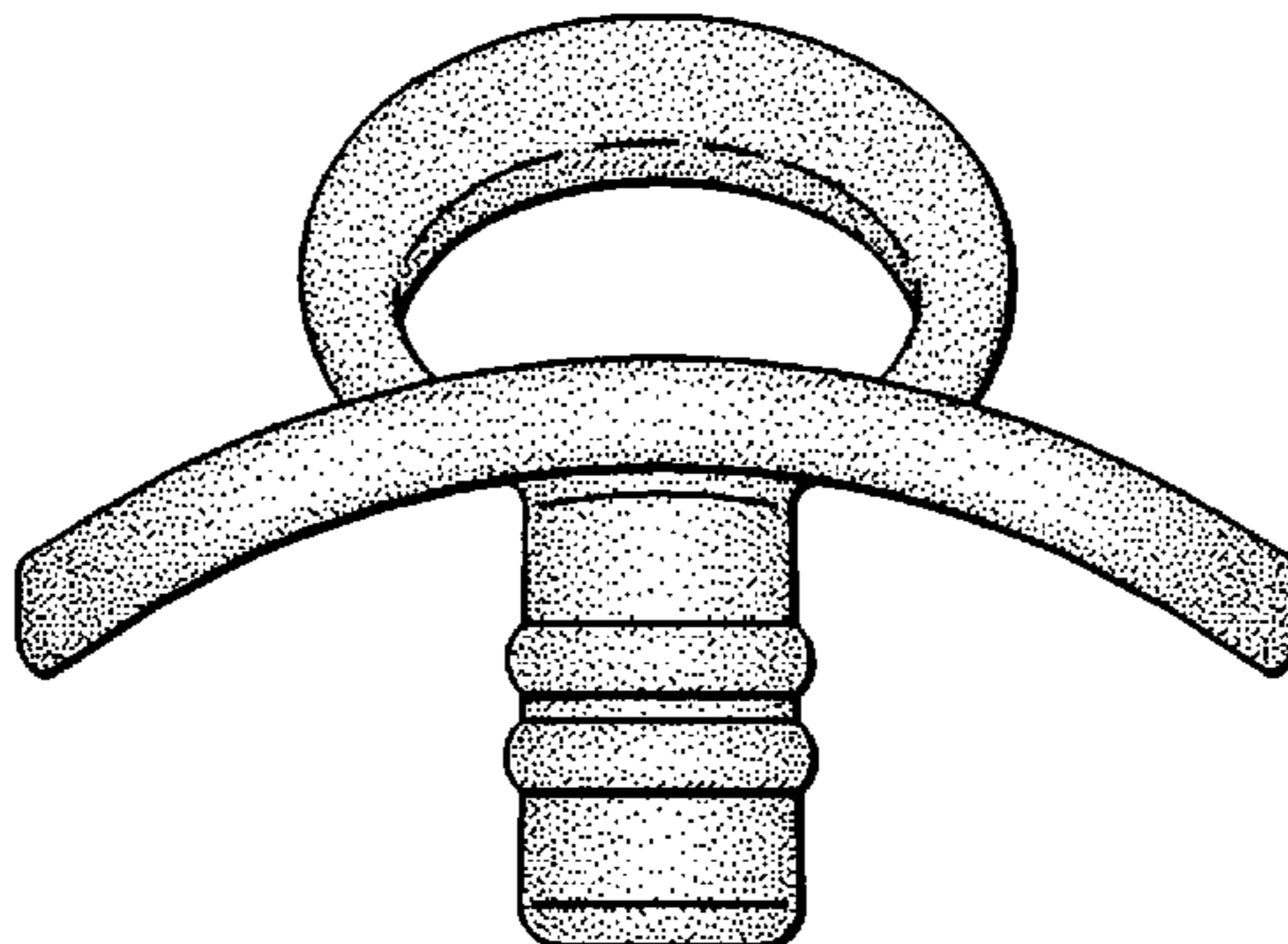
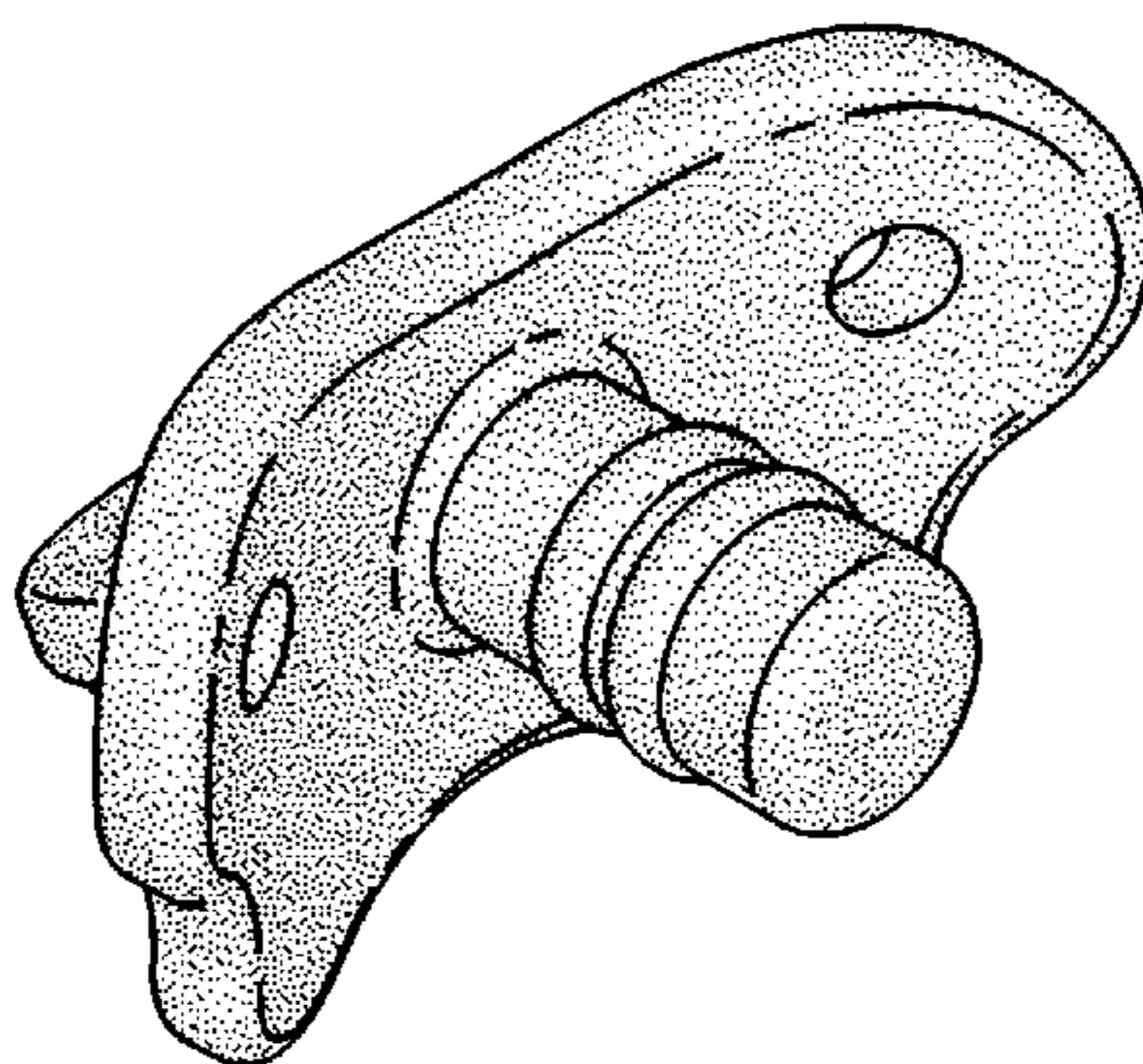
[57] **CLAIM**

The ornamental design for the pacifier, as shown and described.

DESCRIPTION

FIG. 1 is a perspective view of a pacifier showing our new design;
 FIG. 2 is a second perspective view of the pacifier of FIG. 1;
 FIG. 3 is a front view of the pacifier of FIG. 1;
 FIG. 4 is a rear view of the pacifier of FIG. 1;
 FIG. 5 is a side view of the pacifier of FIG. 1, wherein an opposite side view would be a mirror image thereof;
 FIG. 6 is a top view of the pacifier of FIG. 1; and,
 FIG. 7 is a bottom view of the pacifier of FIG. 1.

1 Claim, 3 Drawing Sheets



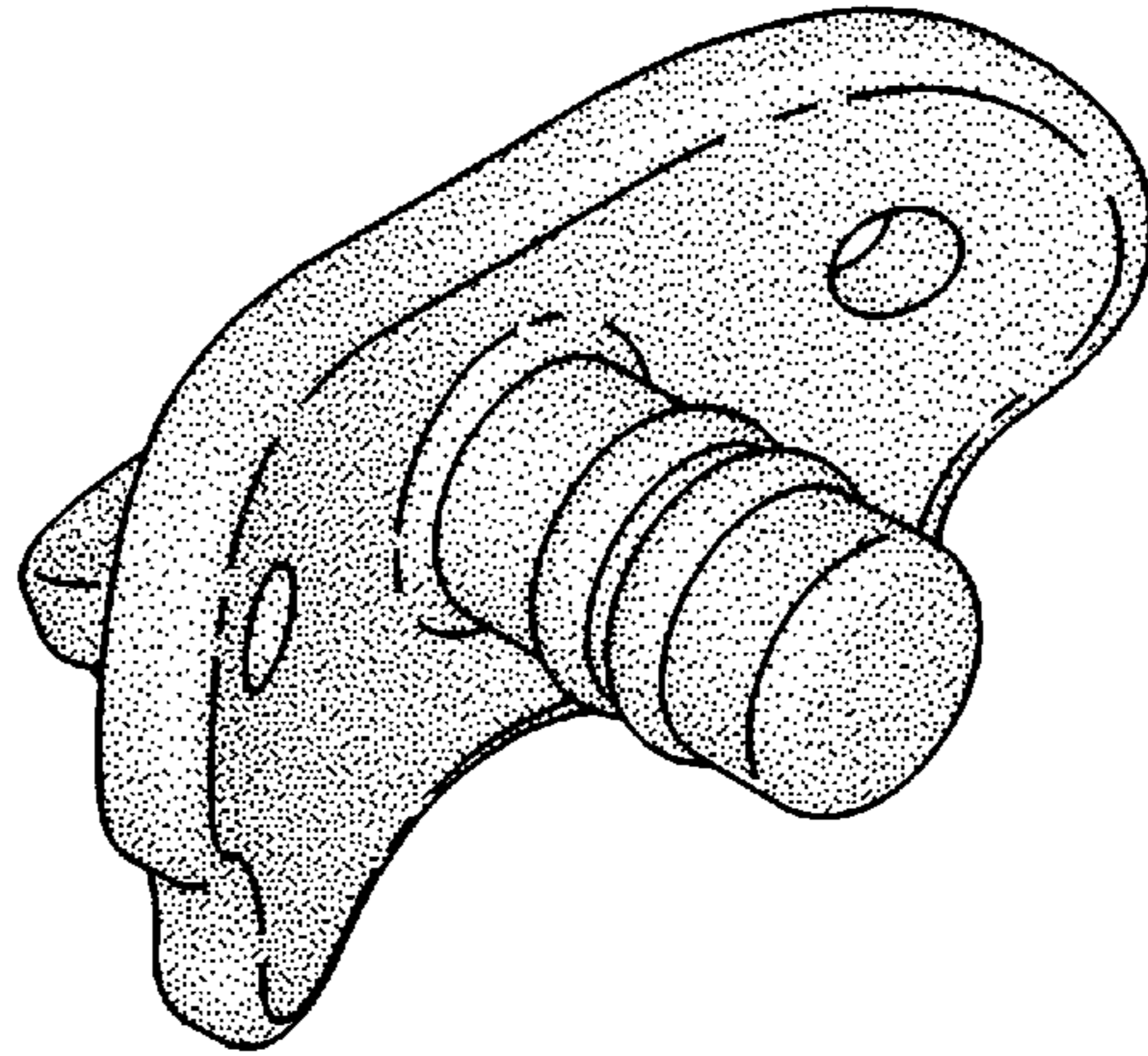


FIG. 1

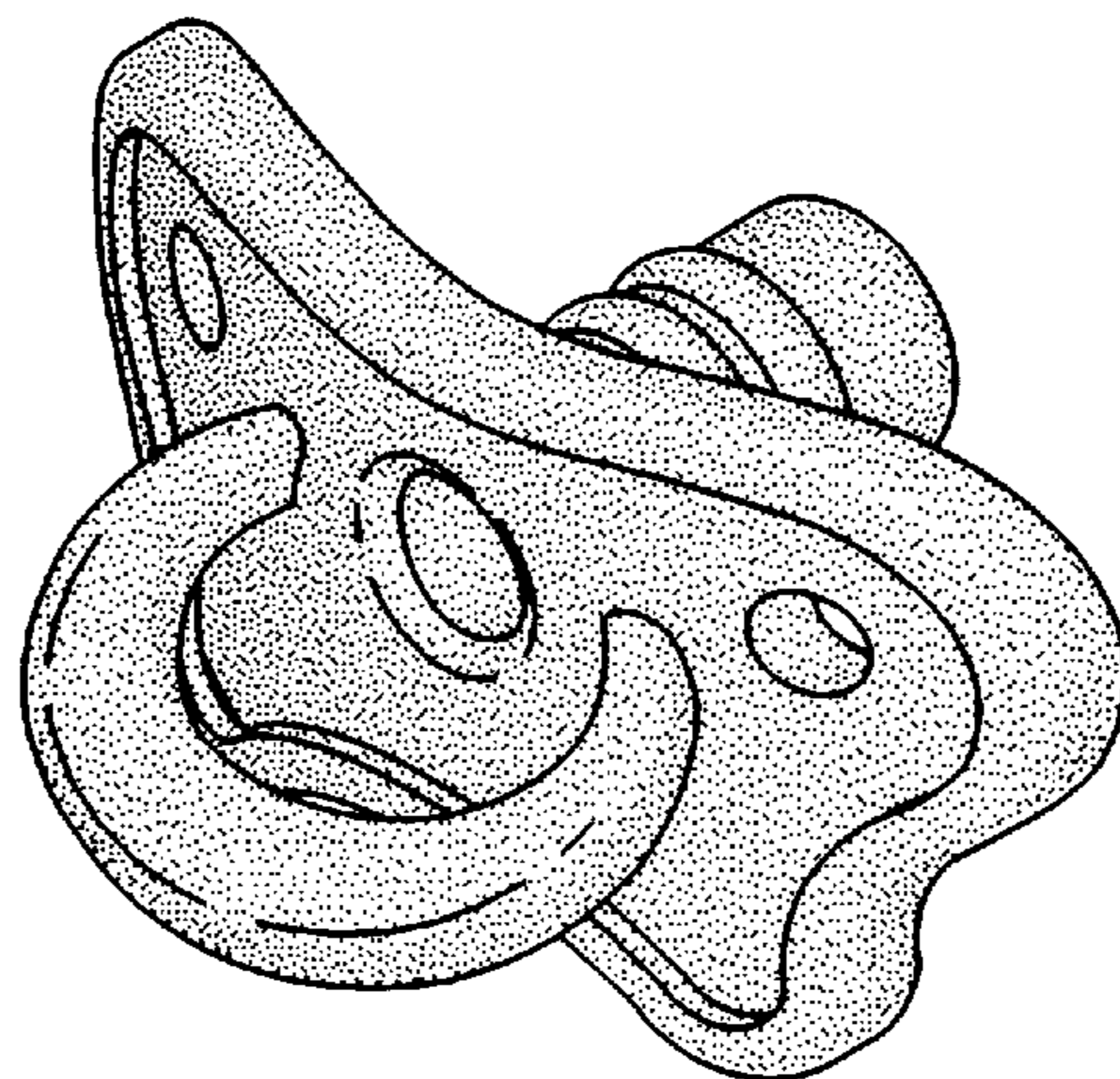


FIG. 2

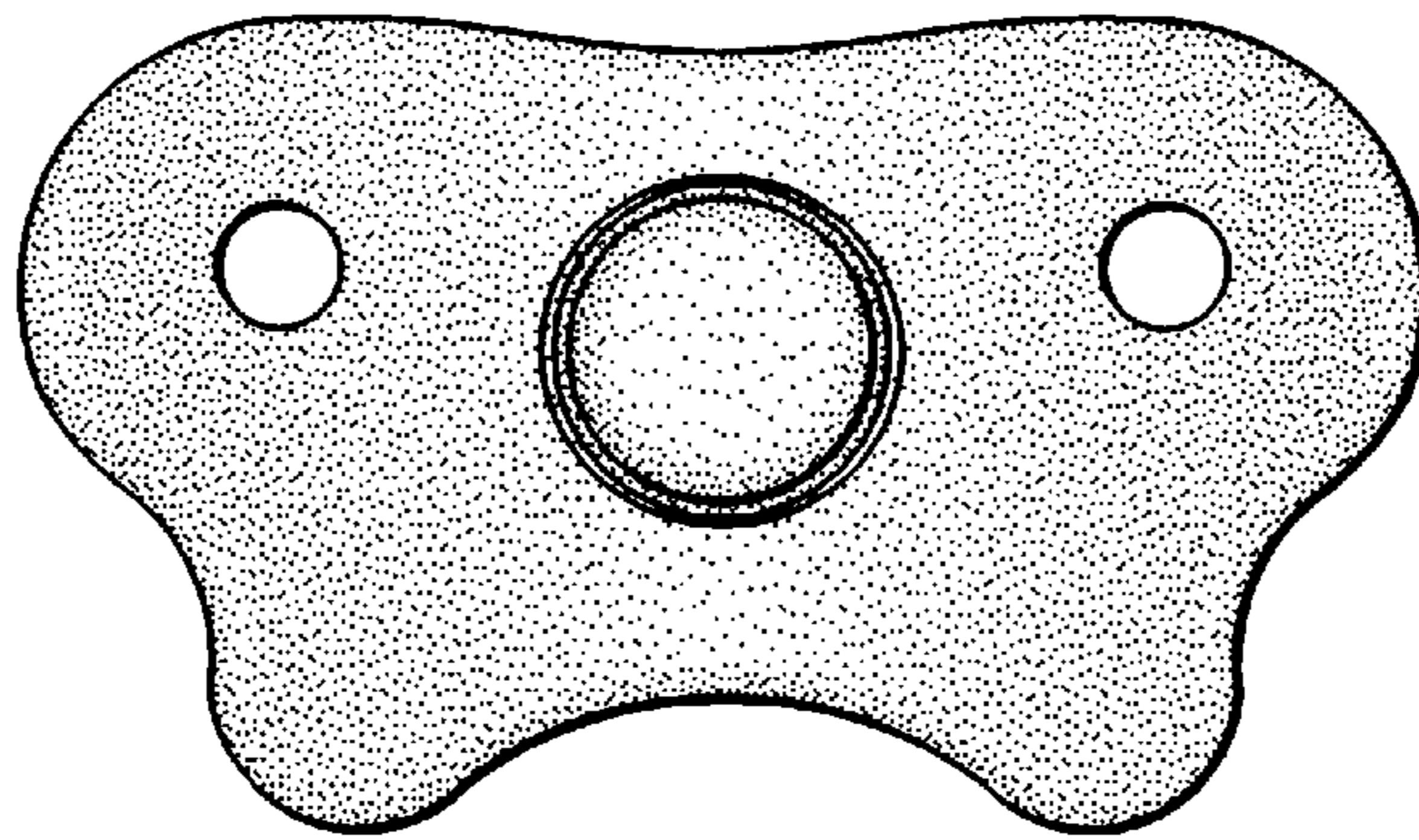


FIG. 3

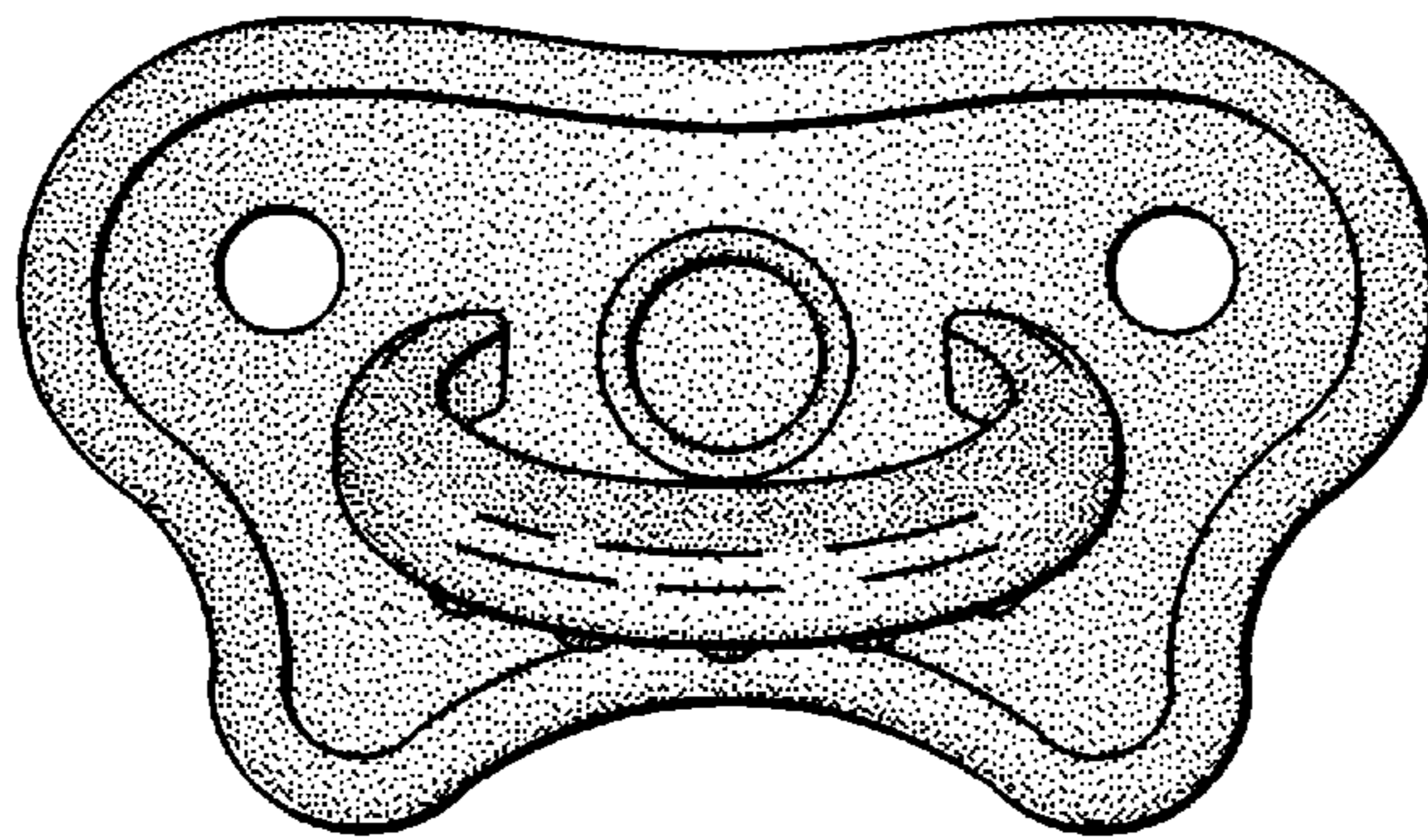


FIG. 4

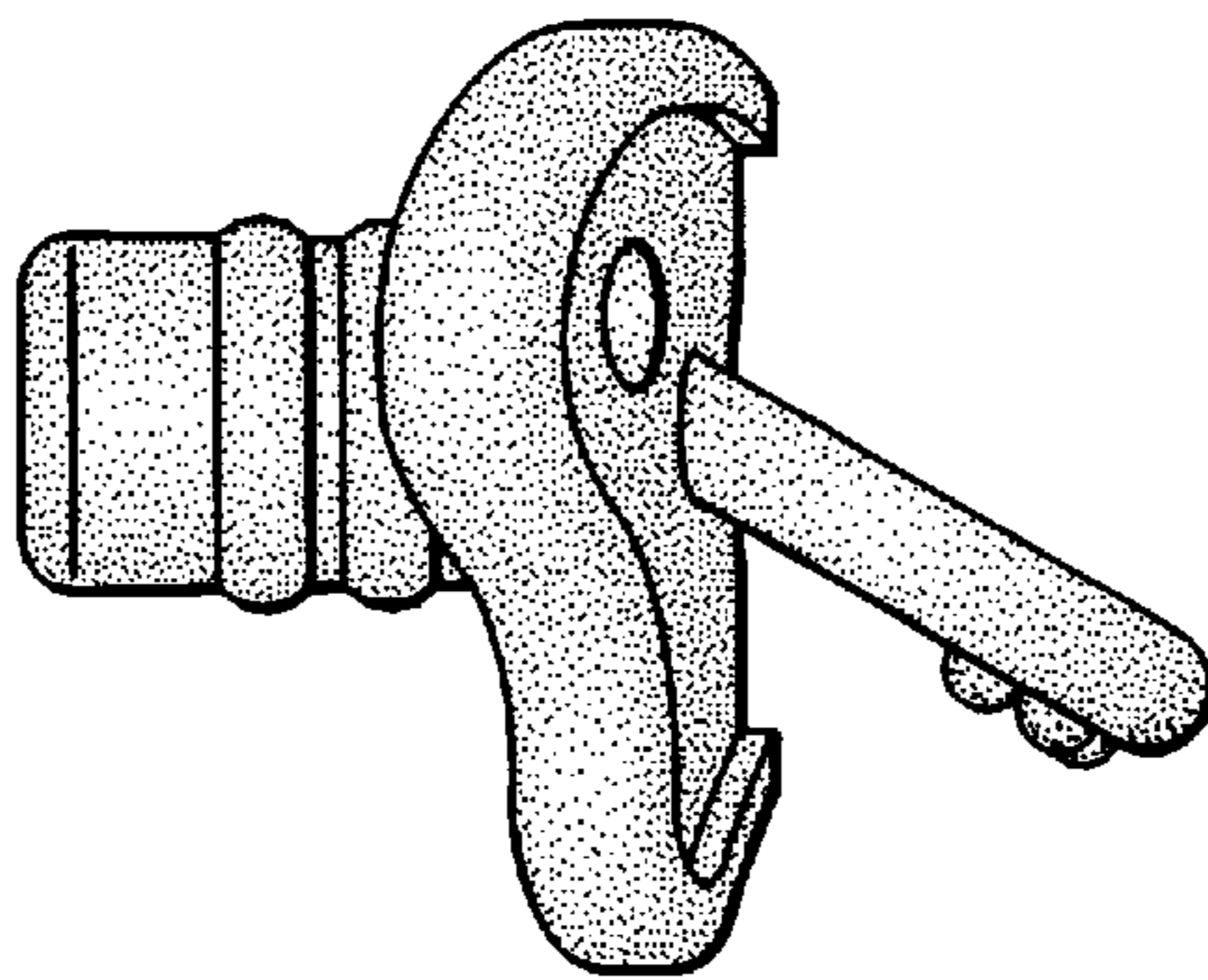


FIG. 5

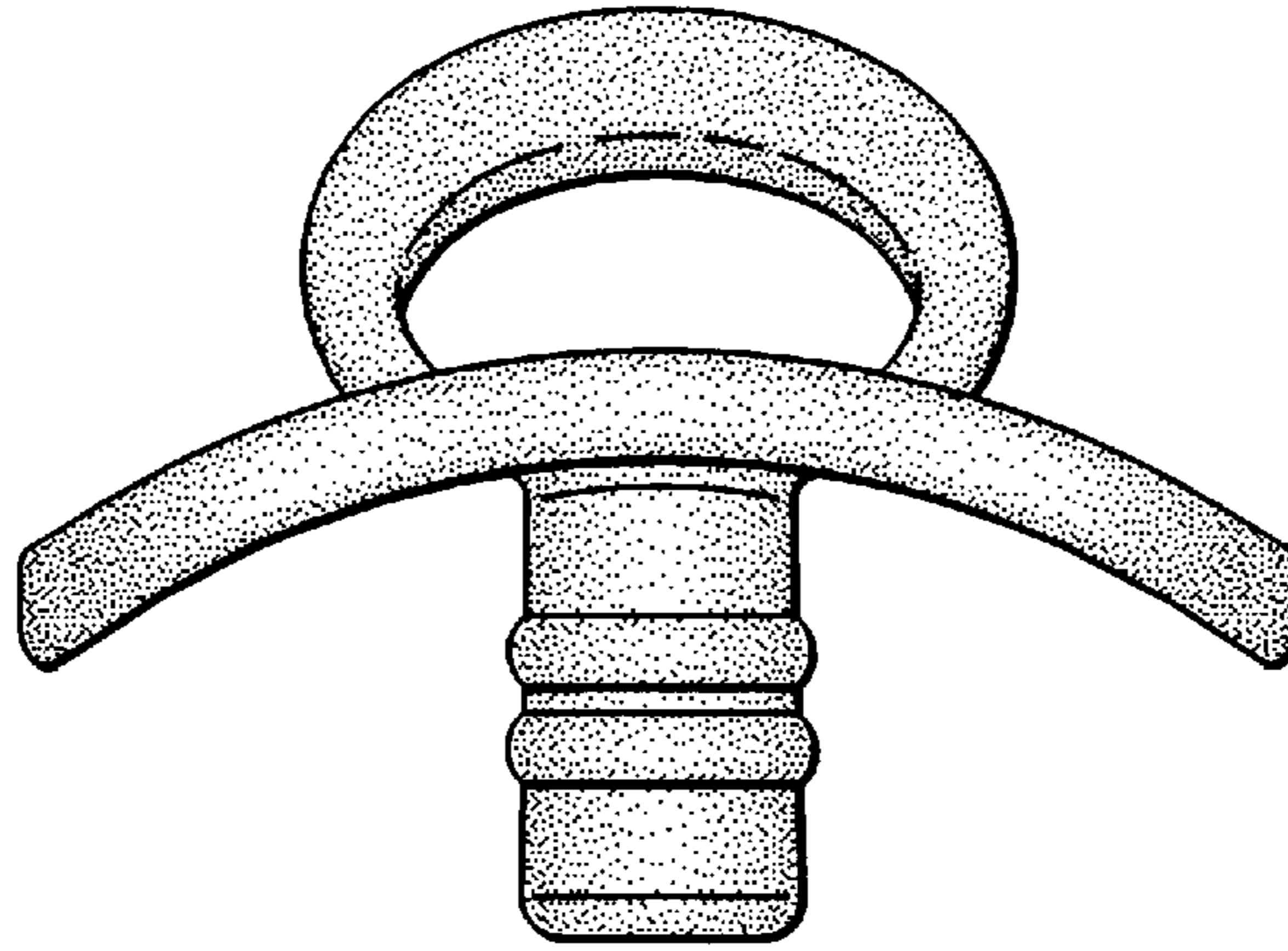


FIG. 6

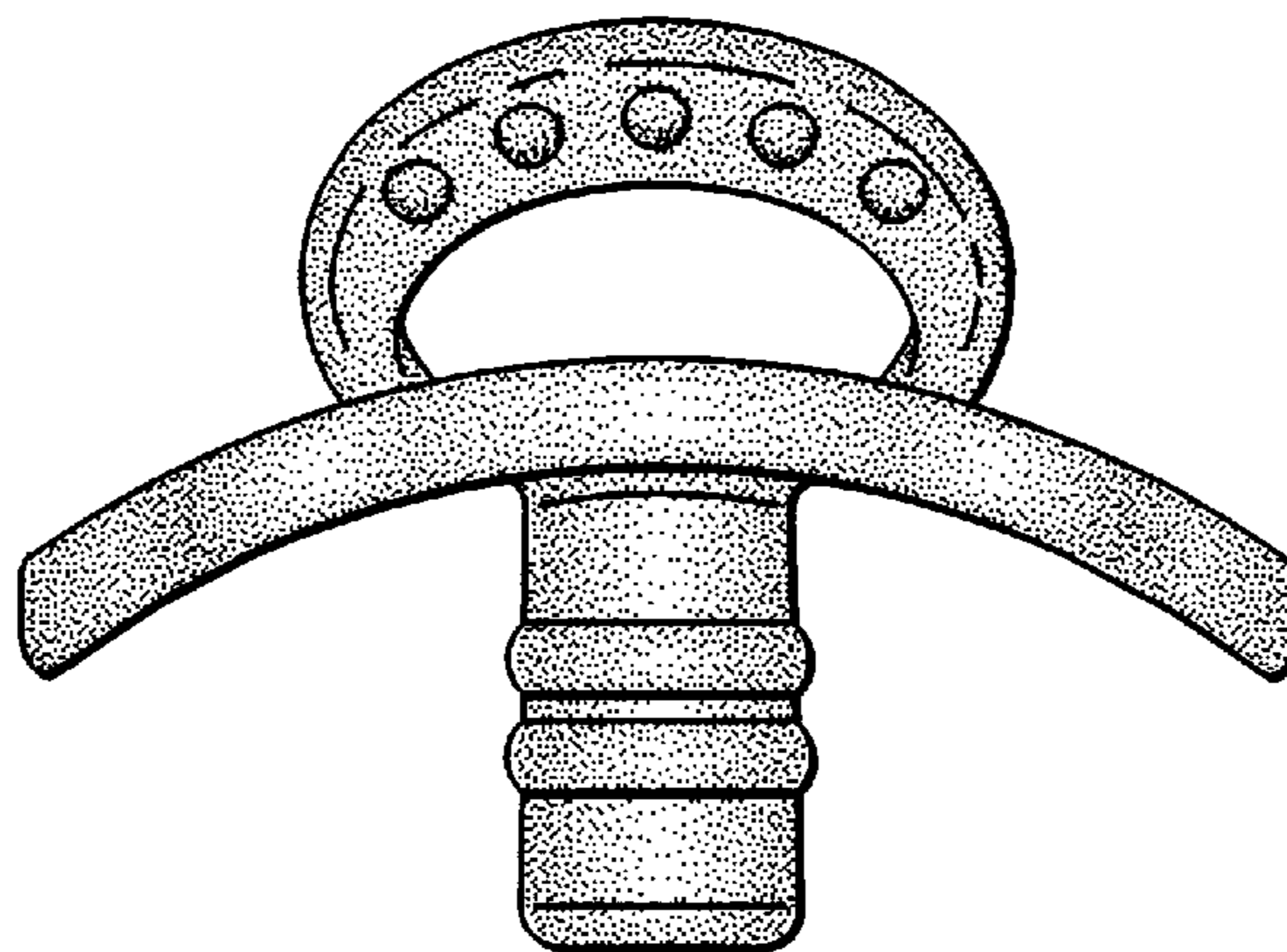


FIG. 7