



US00D404128S

**United States Patent** [19]  
**Huebner**

[11] **Patent Number: Des. 404,128**

[45] **Date of Patent: \*\*Jan. 12, 1999**

[54] **SUTURE WASHER**

5,741,255 4/1998 Krag ..... 606/61

[76] Inventor: **Randall J. Huebner**, 18650 SW. Hart Rd., Aloha, Oreg. 97005

**OTHER PUBLICATIONS**

“Soft Tissue Anchoring Implants and Concept Soft Tissue Anchoring Set” catalog pages describing products made by Concept, pp. 100–101.

[\*\*] Term: **14 Years**

*Primary Examiner*—Pamela Burgess  
*Attorney, Agent, or Firm*—Kolisch, Hartwell, Dickinson, McCormack & Heuser

[21] Appl. No.: **63,695**

[22] Filed: **Dec. 13, 1996**

[51] **LOC (6) Cl.** ..... **24-04**

[52] **U.S. Cl.** ..... **D24/145**

[58] **Field of Search** ..... D24/145, 146, D24/147, 155; 606/61, 60, 72, 73, 59, 86, 75, 219, 96, 105, 115, 216

[57] **CLAIM**

The ornamental design for a suture washer, as shown and described.

**DESCRIPTION**

FIG. 1 is a top perspective view of a suture washer showing my new design, the broken lines are for illustrative purpose only and form no part of the claimed design; FIG. 2 is a side view of the suture washer, the opposite side being a mirror image thereof; FIG. 3 is a left view thereof; FIG. 4 is a bottom view thereof; FIG. 5 is a right view thereof; and, FIG. 6 is a top view thereof.

[56] **References Cited**

**U.S. PATENT DOCUMENTS**

|            |         |               |       |          |
|------------|---------|---------------|-------|----------|
| D. 336,518 | 6/1993  | Taylor        | ..... | D24/143  |
| D. 364,462 | 11/1995 | Michelson     | ..... | D24/145  |
| D. 368,777 | 4/1996  | Goble et al.  | .     |          |
| D. 374,286 | 10/1996 | Goble et al.  | .     |          |
| D. 374,287 | 10/1996 | Goble et al.  | .     |          |
| D. 374,482 | 10/1996 | Goble et al.  | .     |          |
| 3,997,138  | 12/1976 | Crock et al.  | .     |          |
| 4,988,351  | 1/1991  | Paulos et al. | .     |          |
| 5,702,447  | 12/1997 | Walch et al.  | ..... | 606/72 X |

**1 Claim, 2 Drawing Sheets**

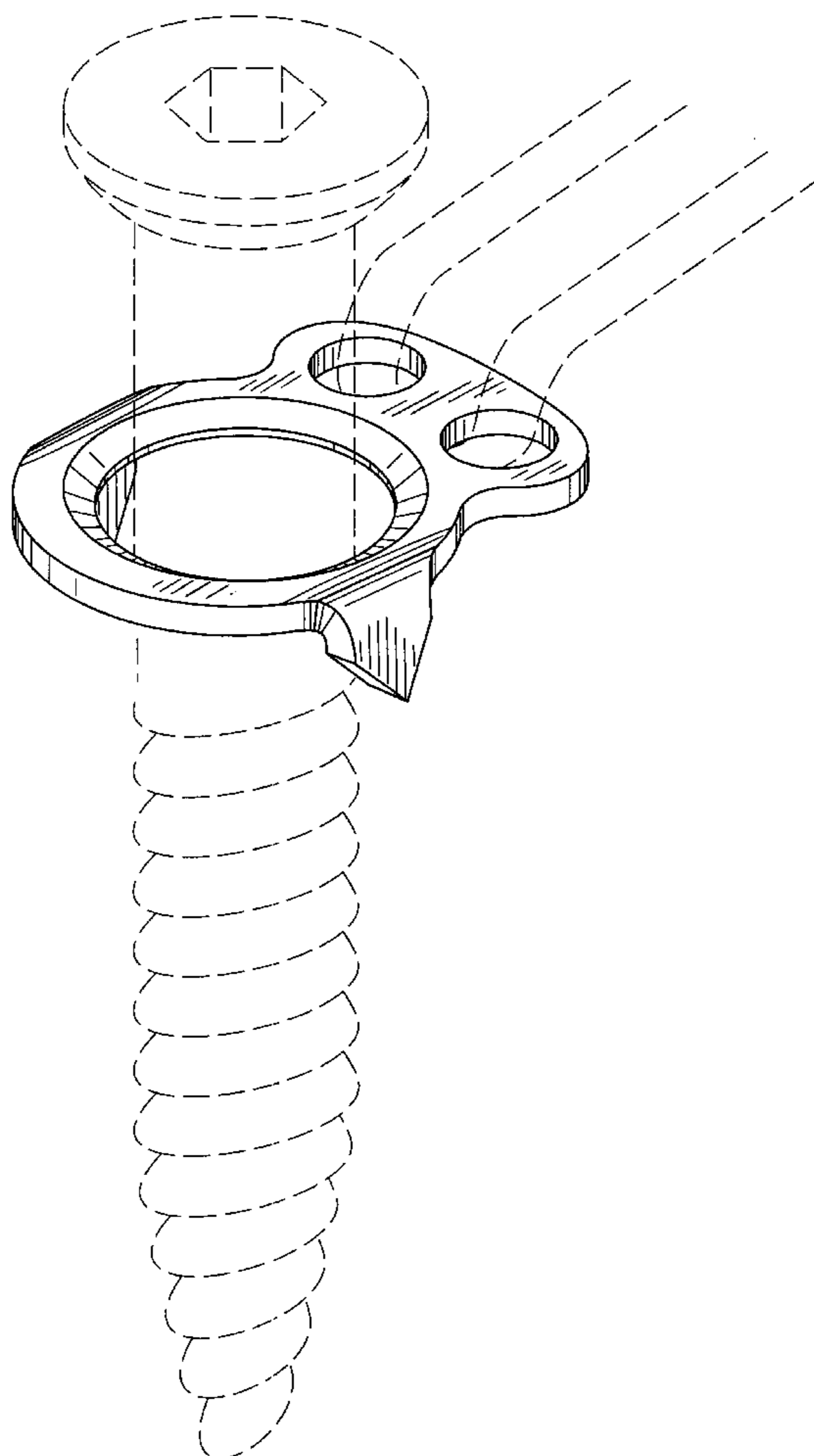


FIG. 1

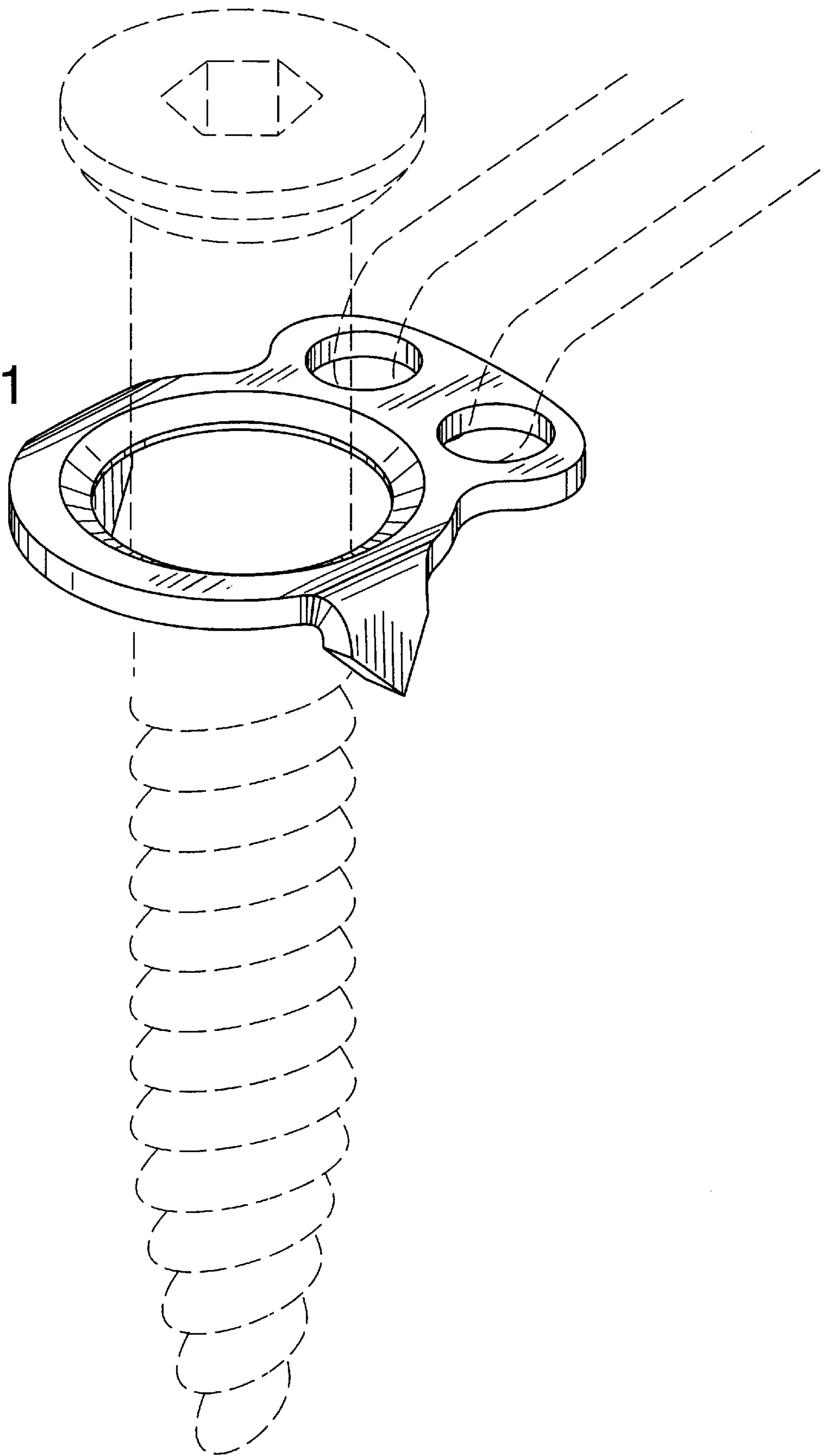


FIG. 2

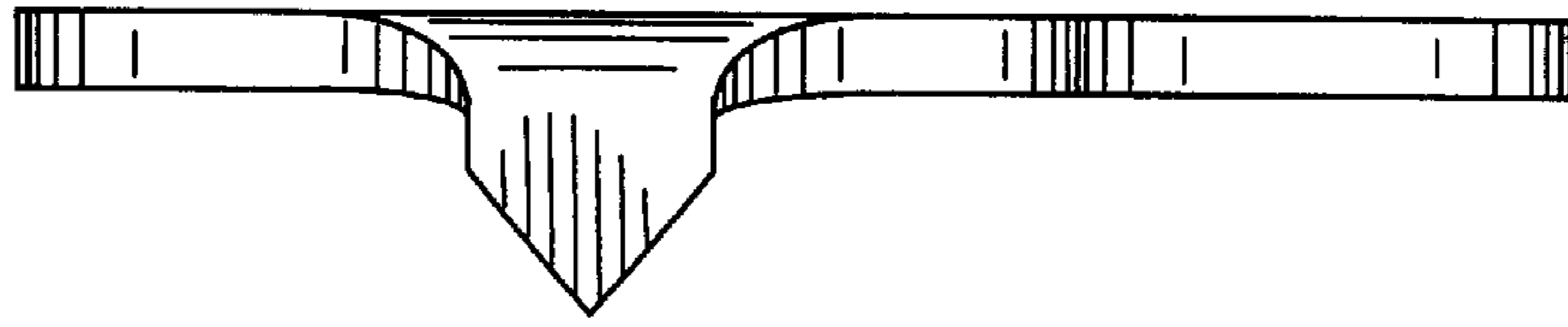


FIG. 3

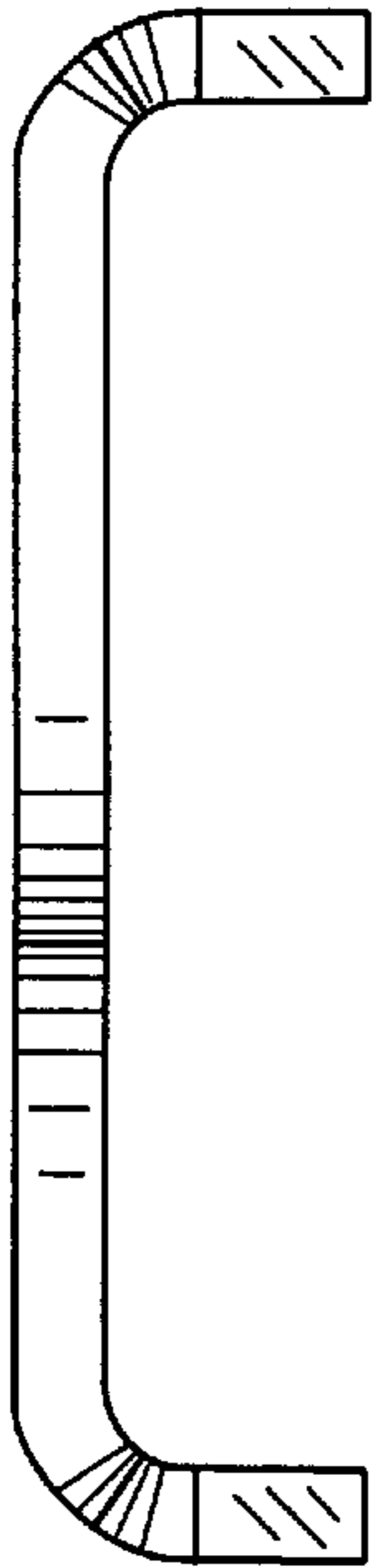


FIG. 4

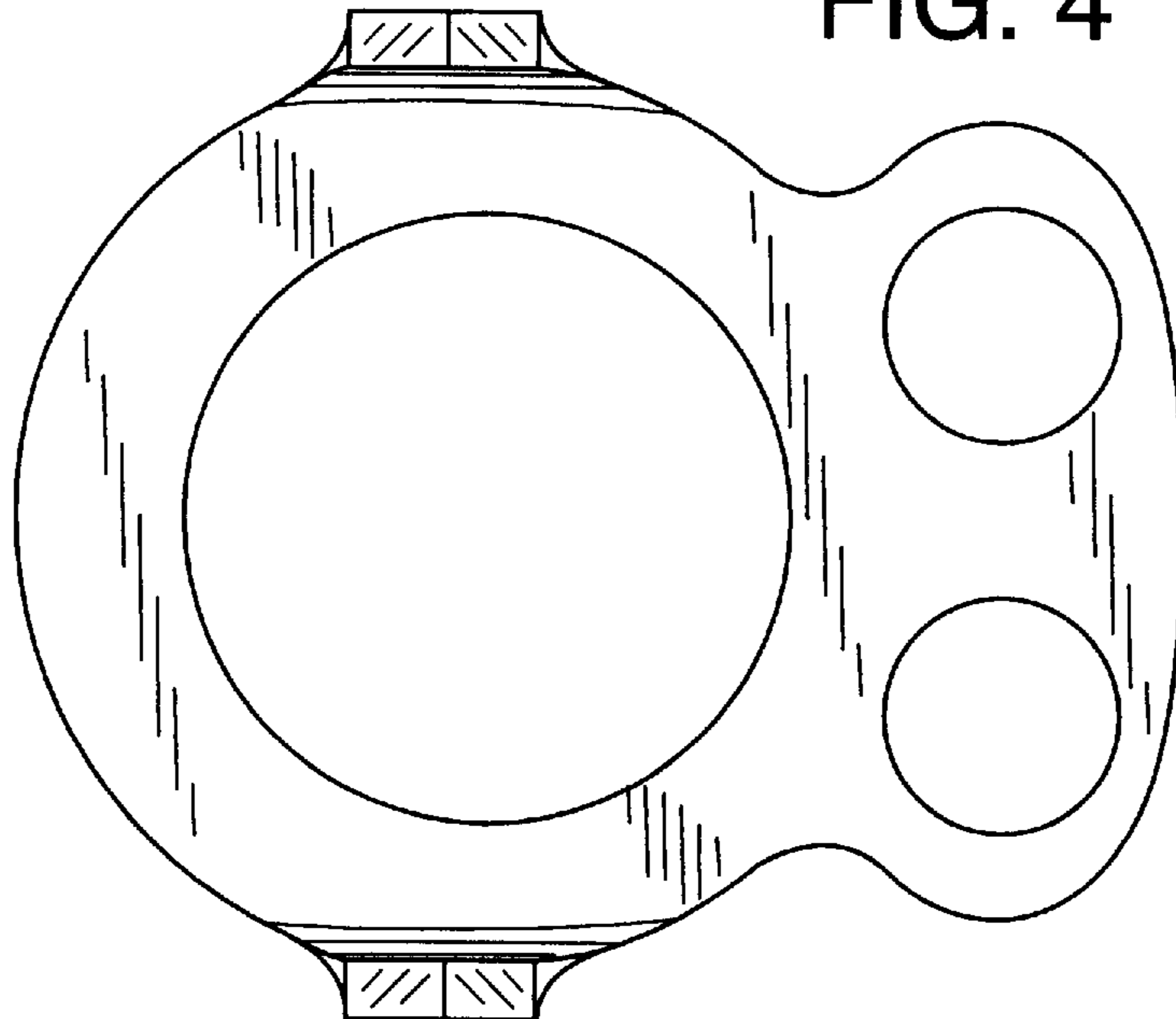


FIG. 5

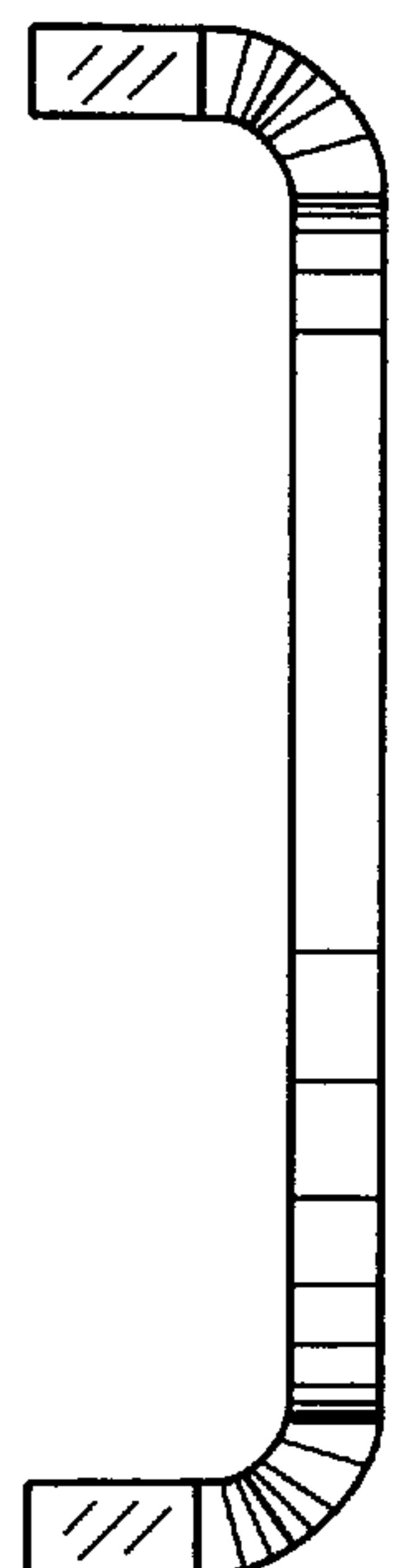


FIG. 6

