



US00D404125S

United States Patent [19] Weinstein

[11] Patent Number: Des. 404,125

[45] Date of Patent: **Jan. 12, 1999

[54] **BODY MEDICINE APPLICATOR**

[76] Inventor: **Harvey Weinstein**, 29 G Forest Dr.,
Garnerville, N.Y. 10923

[**] Term: **14 Years**

[21] Appl. No.: **80,223**

[22] Filed: **Dec. 4, 1997**

[51] **LOC (6) Cl.** **24-02**

[52] **U.S. Cl.** **D24/119; D28/7; D32/40**

[58] **Field of Search** **D24/119, 108,**
D24/111, 112, 129, 133, 147; D32/40, 49;
D4/114; D28/7, 8, 63; 604/1, 2, 3; 401/132;
15/244.1

5,360,111 11/1994 Arispe 206/361
 5,435,040 7/1995 McClure 15/244.1
 5,664,281 9/1997 Pelfrey 15/244.1
 5,671,497 9/1997 Abdo 15/244.1

Primary Examiner—Susan J. Lucas
Assistant Examiner—Cynthia E Ramirez

[57] CLAIM

The ornamental design for a body medicine applicator, as shown.

DESCRIPTION

FIG. 1 is a front elevational view of the body medicine applicator of the present invention;
 FIG. 2 is a back elevational view of the body medicine applicator of FIG. 1;
 FIG. 3 is a left side elevational view of the body medicine applicator of FIG. 1;
 FIG. 4 is a right side elevational view of the body medicine applicator of FIG. 1;
 FIG. 5 is a top plan view of the body medicine applicator of FIG. 1; and,
 FIG. 6 is a bottom plan view of the body medicine applicator of FIG. 1.

[56] **References Cited**
 U.S. PATENT DOCUMENTS

D. 214,387	6/1969	Holt, Jr. .	
D. 346,698	5/1994	Hinnant	D4/114
D. 370,085	5/1996	MacGilvary	D28/7
D. 384,436	9/1997	Kelley	D28/7
3,103,682	9/1963	Markle	401/132
4,077,725	3/1978	Slautterback	401/132
4,925,327	5/1990	Wirt	401/132 X
4,927,283	5/1990	Fitjer	401/132

1 Claim, 3 Drawing Sheets

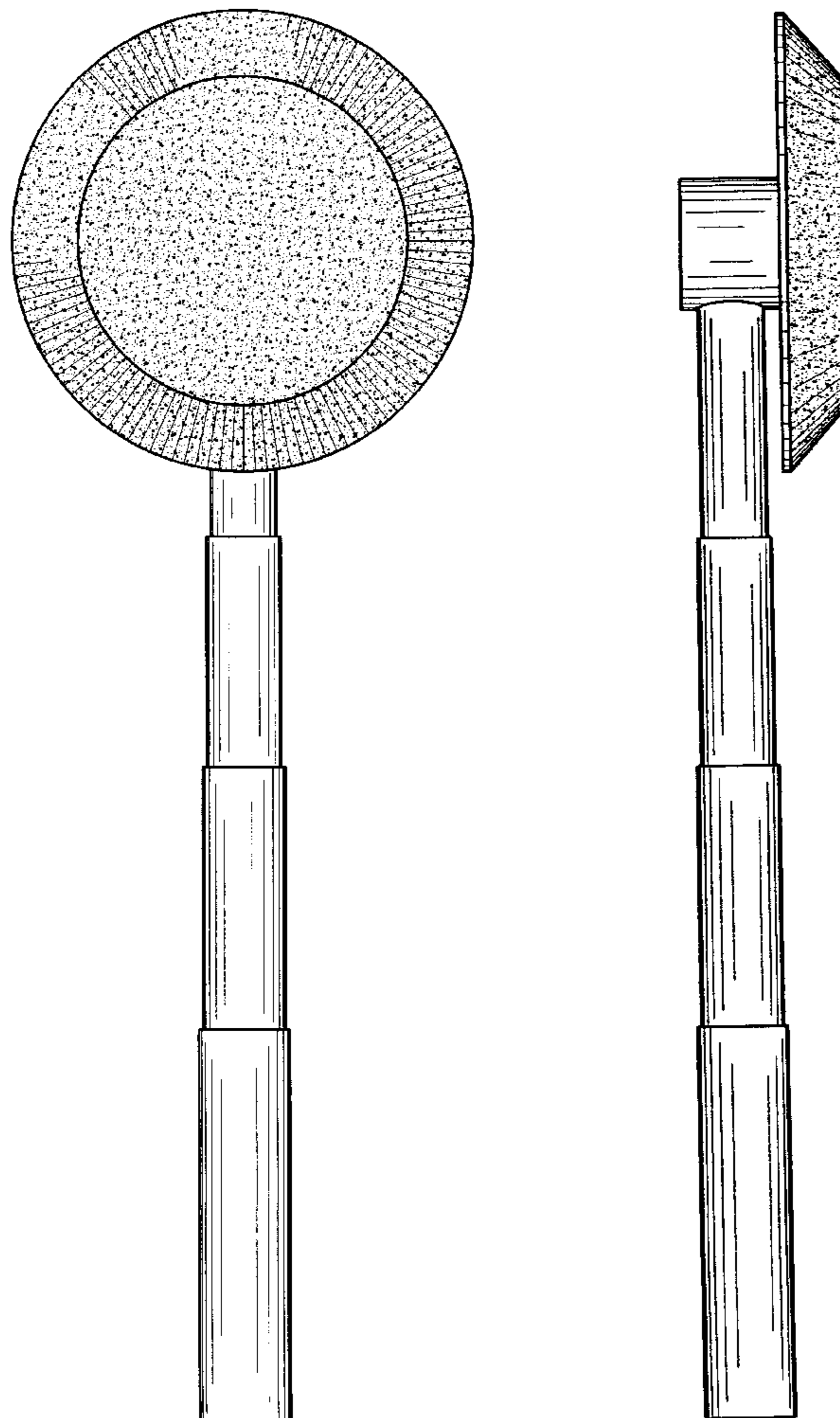


FIG. 1

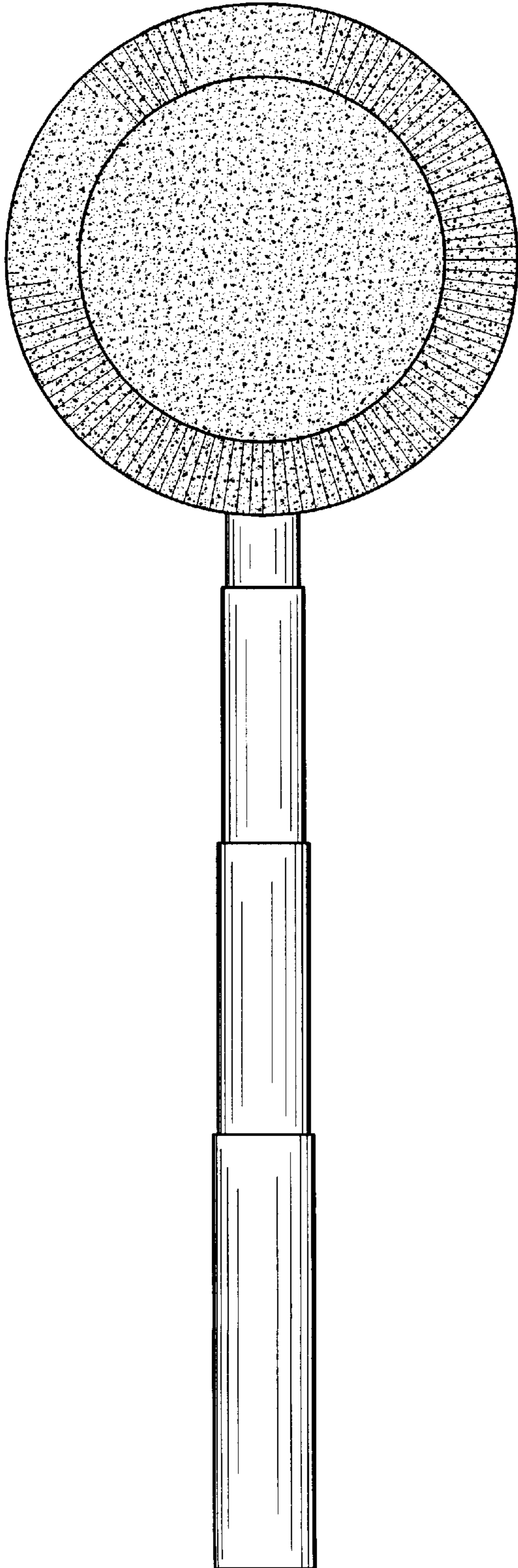


FIG. 2

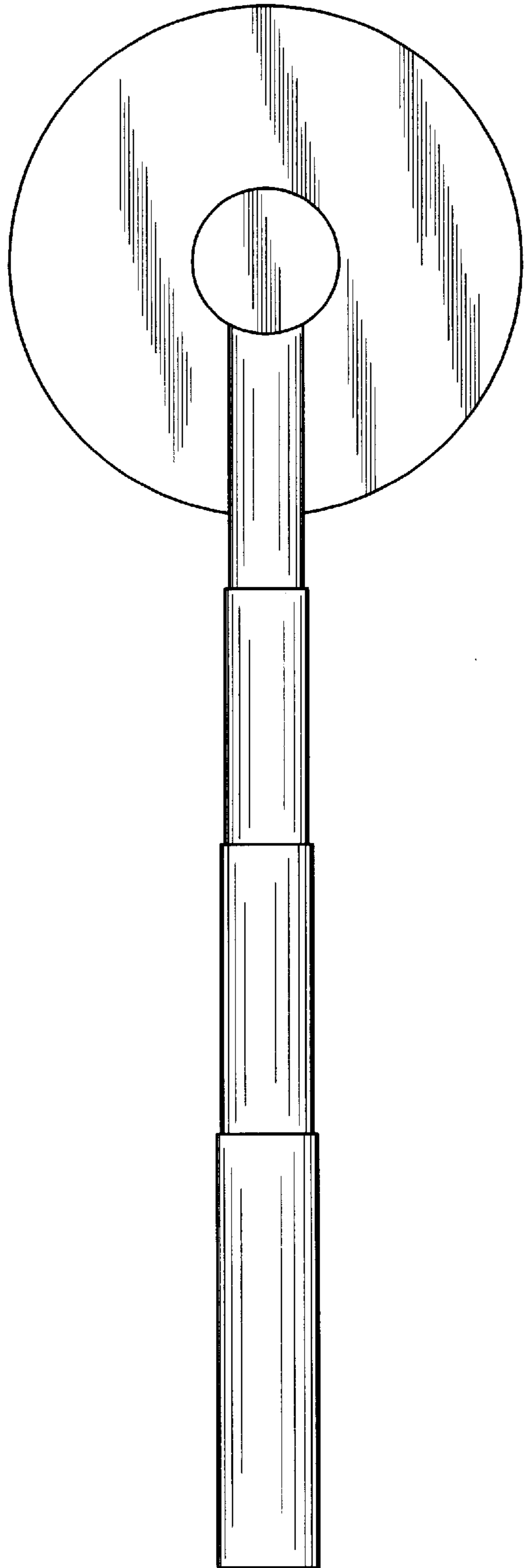


FIG. 3

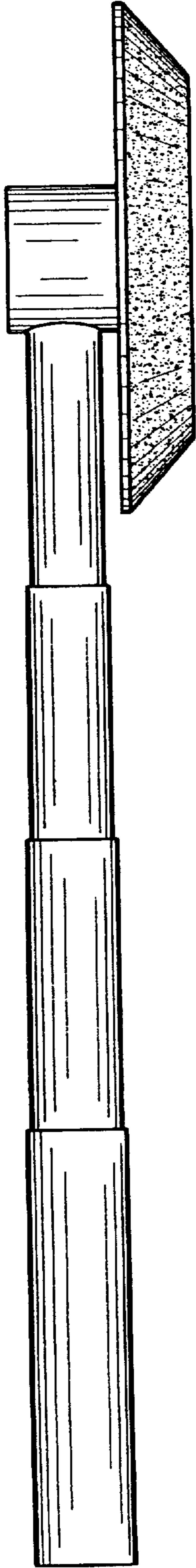


FIG. 4

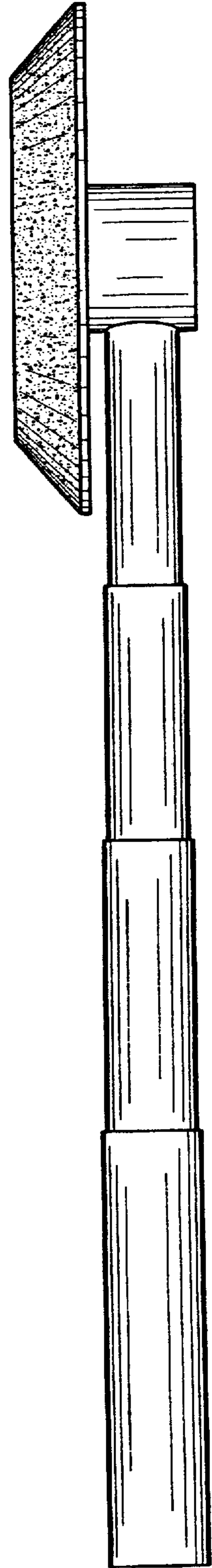


FIG. 5

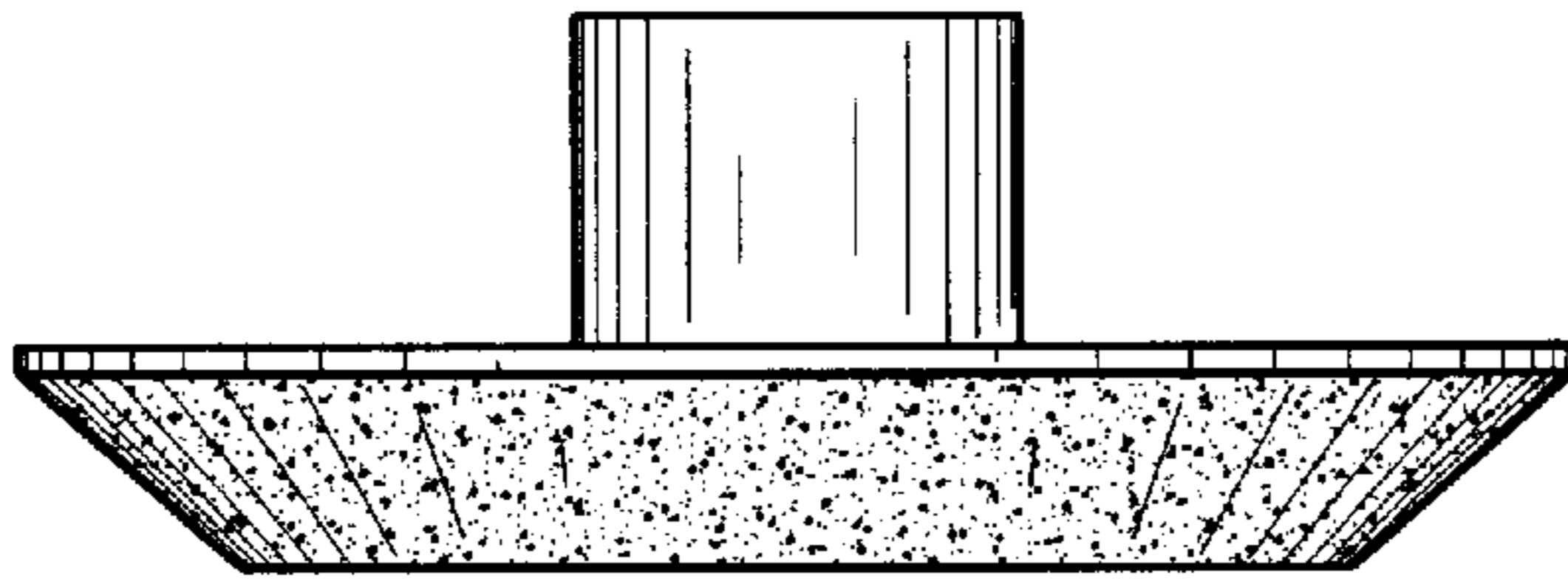


FIG. 6

