



US00D404124S

United States Patent [19] Tsuji

[11] **Patent Number: Des. 404,124**

[45] **Date of Patent: **Jan. 12, 1999**

[54] **BLADE IRON FOR A CEILING FAN**

[75] Inventor: **Masao Tsuji**, Germantown, Tenn.

[73] Assignee: **Hunter Fan Company**, Memphis, Tenn.

[**] Term: **14 Years**

[21] Appl. No.: **80,720**

[22] Filed: **Dec. 15, 1997**

[51] **LOC (6) Cl.** **23-04**

[52] **U.S. Cl.** **D23/411; D23/385**

[58] **Field of Search** **D23/411, 377, D23/379, 385; 416/5, 210 R; 392/364**

[56] **References Cited**

U.S. PATENT DOCUMENTS

D. 392,033 3/1998 Jaspeis-Fayer D23/385

Primary Examiner—Lisa Lichtenstein

Attorney, Agent, or Firm—Baker, Donelson, Bearman & Caldwell

[57] **CLAIM**

The ornamental design for a blade iron for a ceiling fan, as shown and described.

DESCRIPTION

FIG. 1 is a perspective view of a blade iron for a ceiling fan showing my new design, the broken line showing of environmental structure being for illustrative purposes only and forming no part of the claimed design;

FIG. 2 is an enlarged perspective view thereof;

FIG. 3 is an enlarged front elevational view thereof;

FIG. 4 is an enlarged right side perspective view thereof;

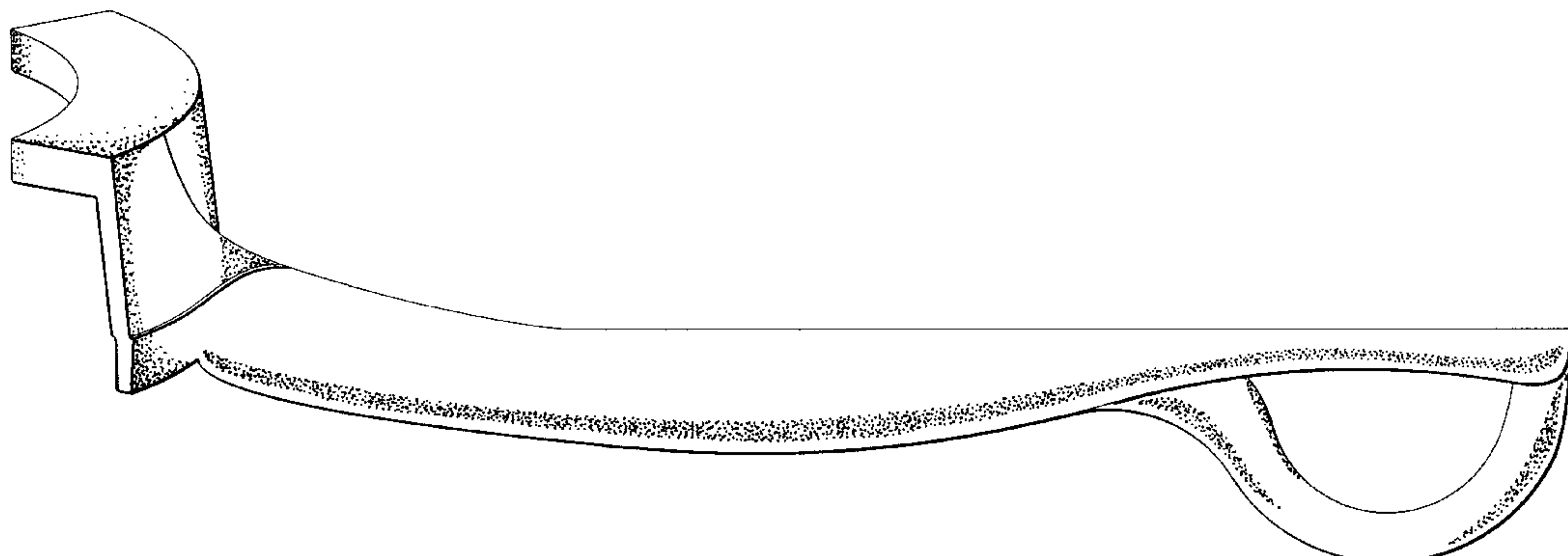
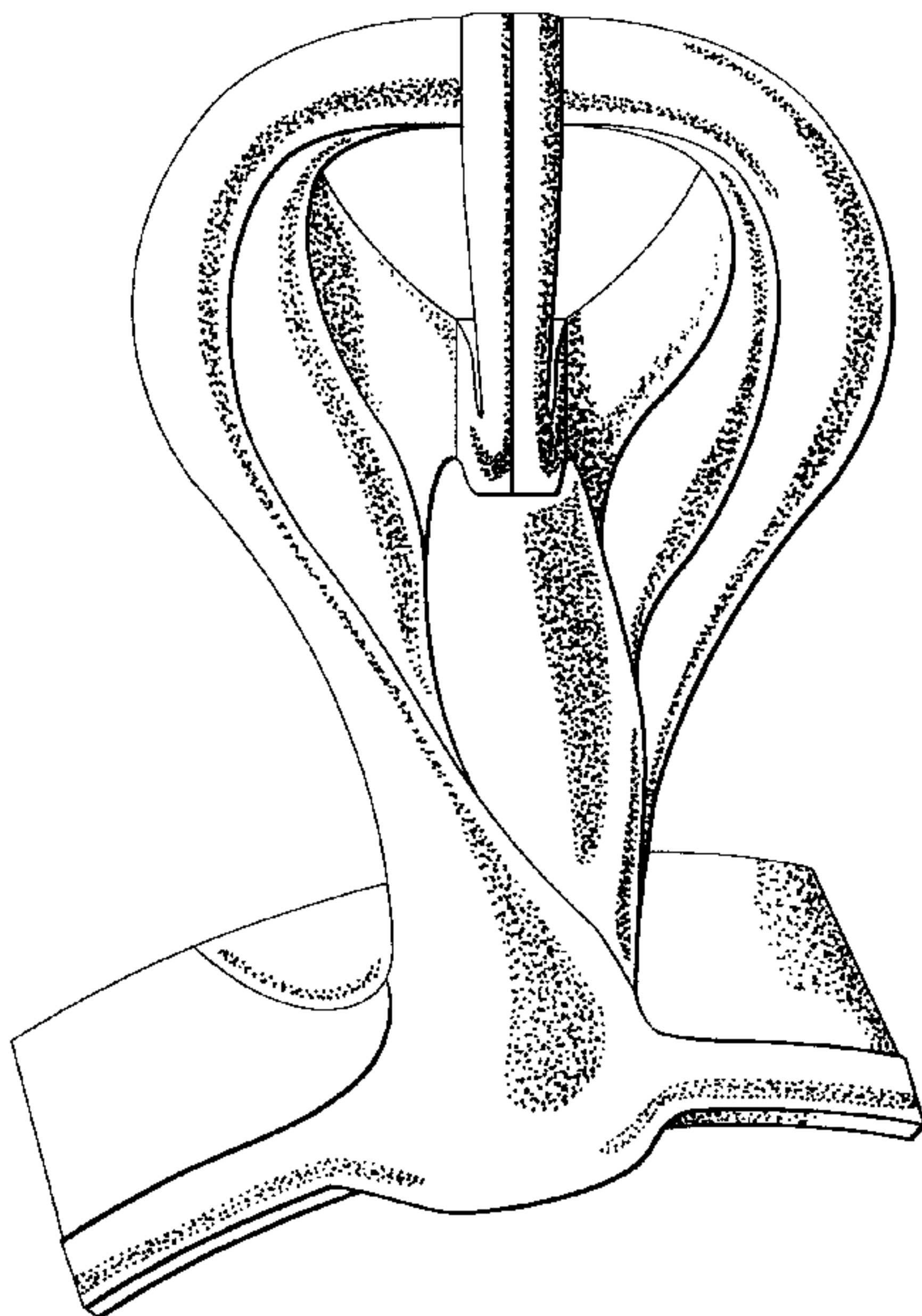
FIG. 5 is an enlarged rear elevational view thereof;

FIG. 6 is an enlarged left side elevational thereof;

FIG. 7 is an enlarged top view thereof; and,

FIG. 8 is an enlarged bottom view thereof.

1 Claim, 6 Drawing Sheets



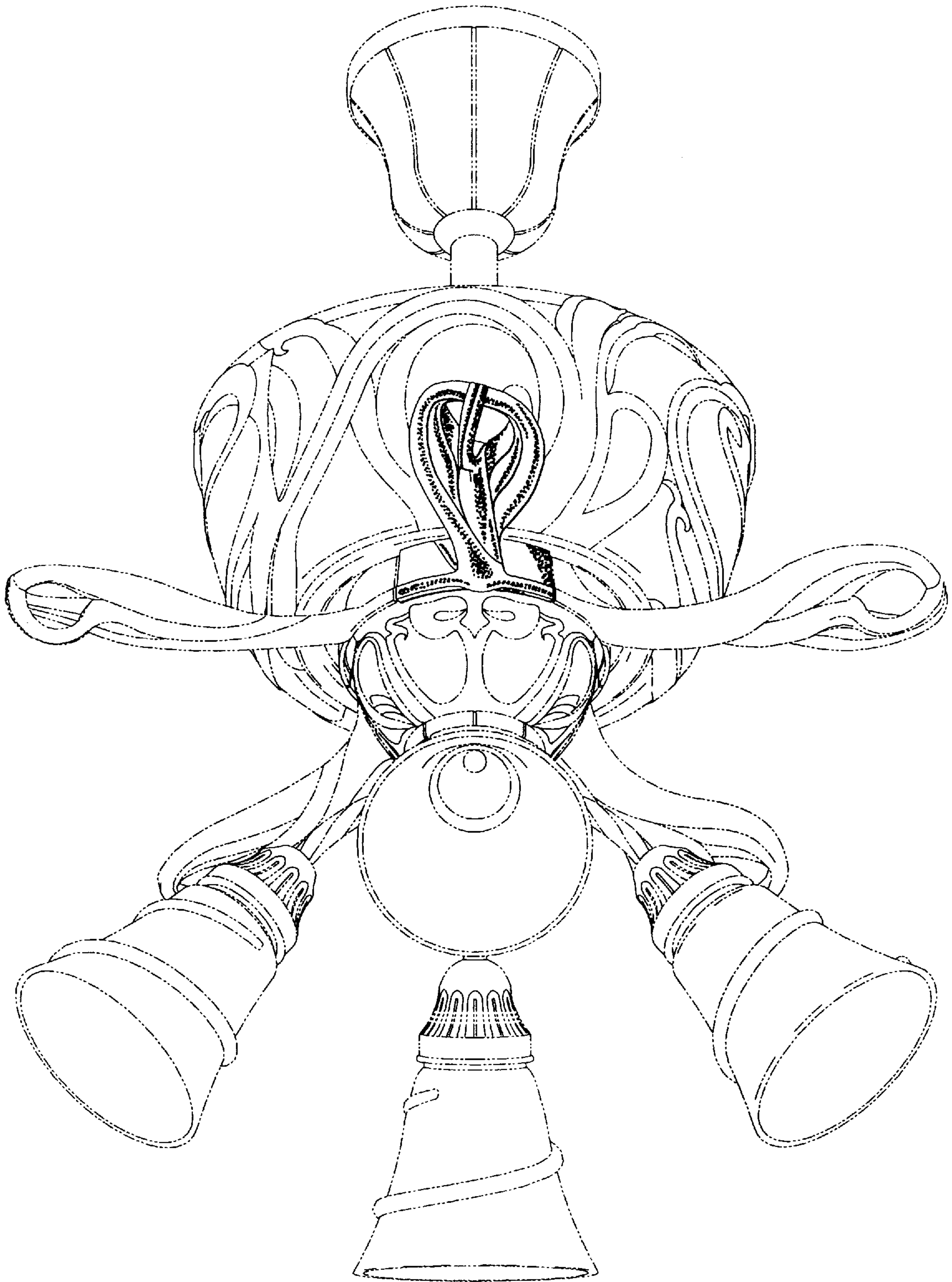


FIG 1

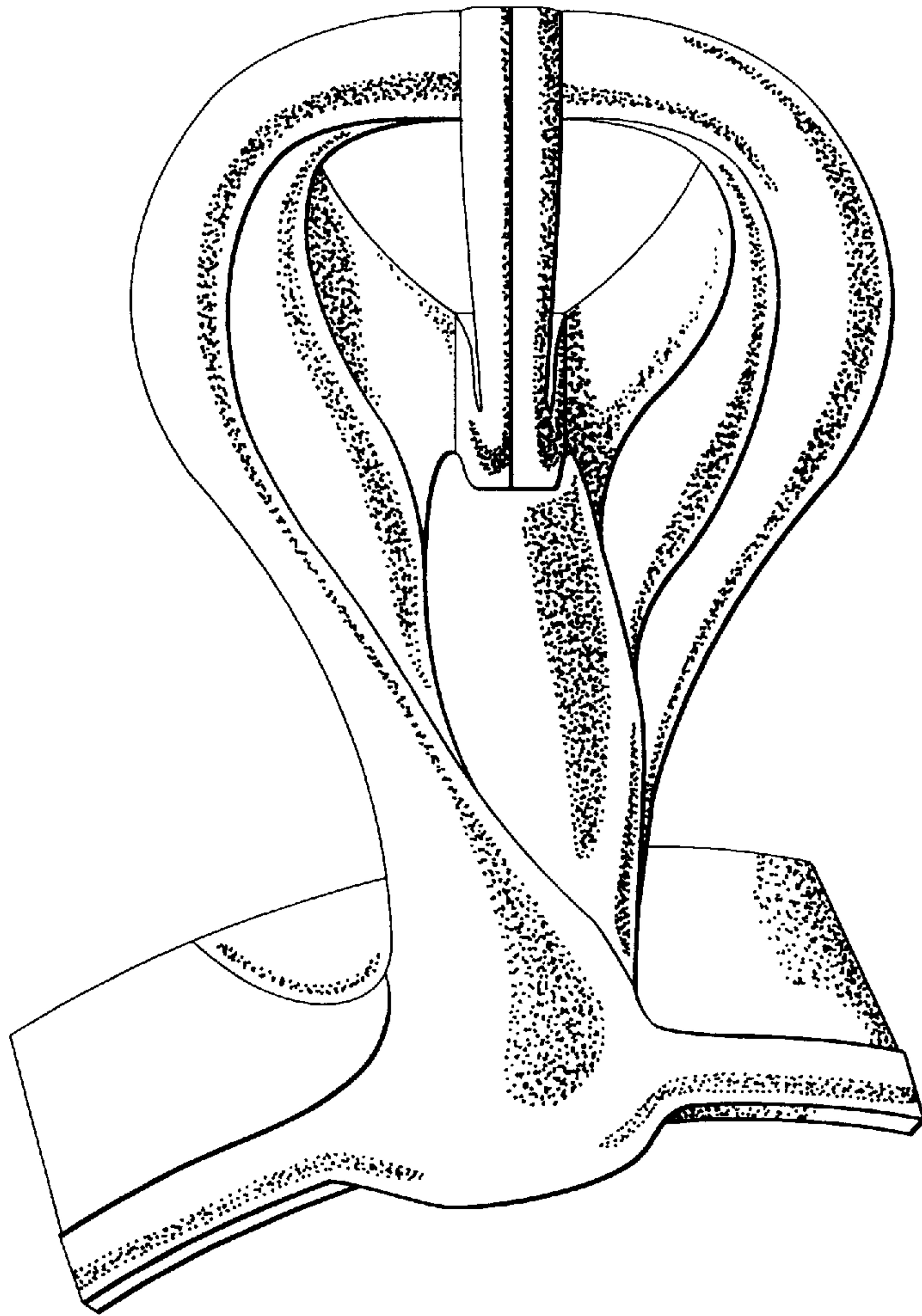


FIG 2

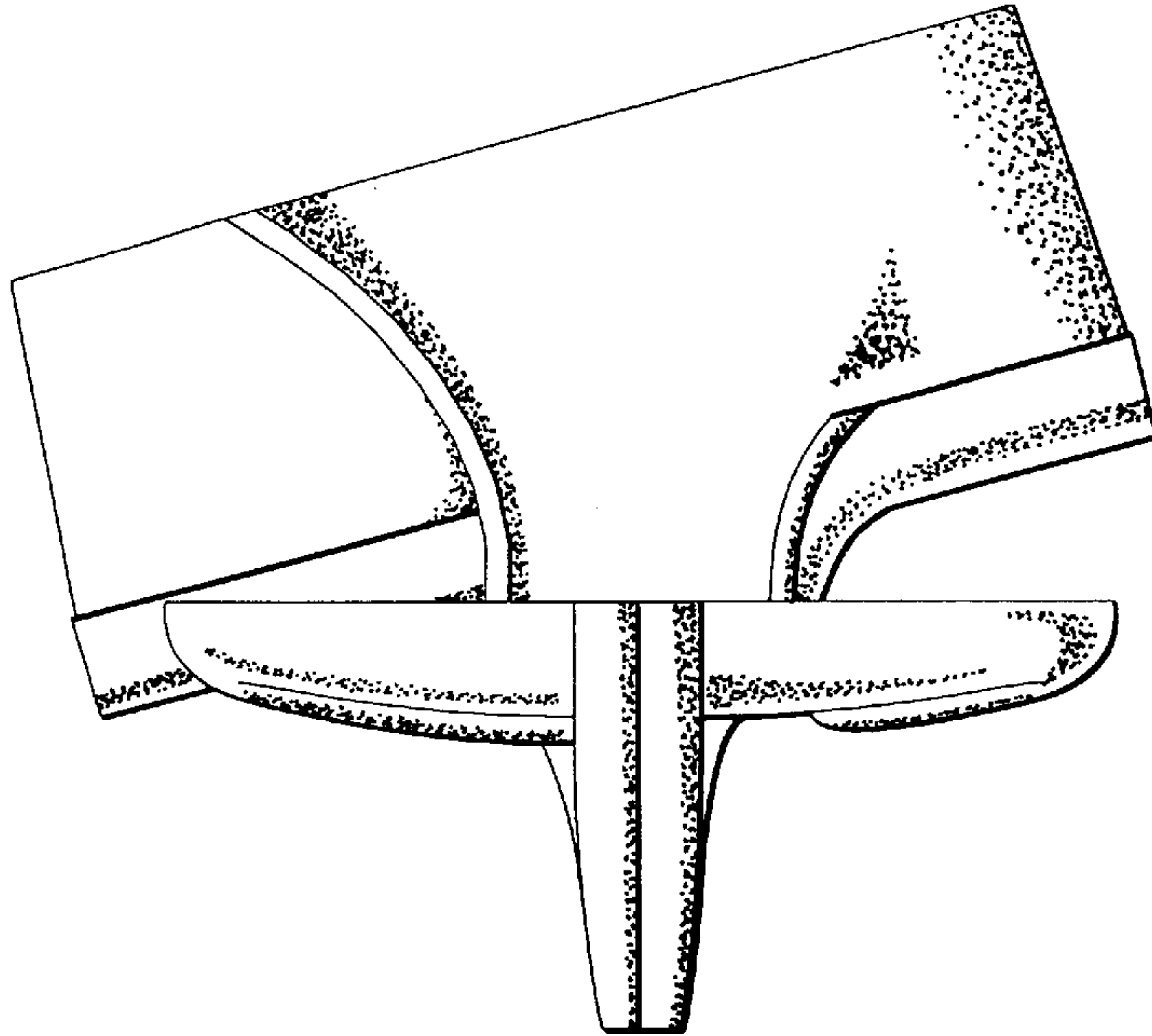


FIG 3

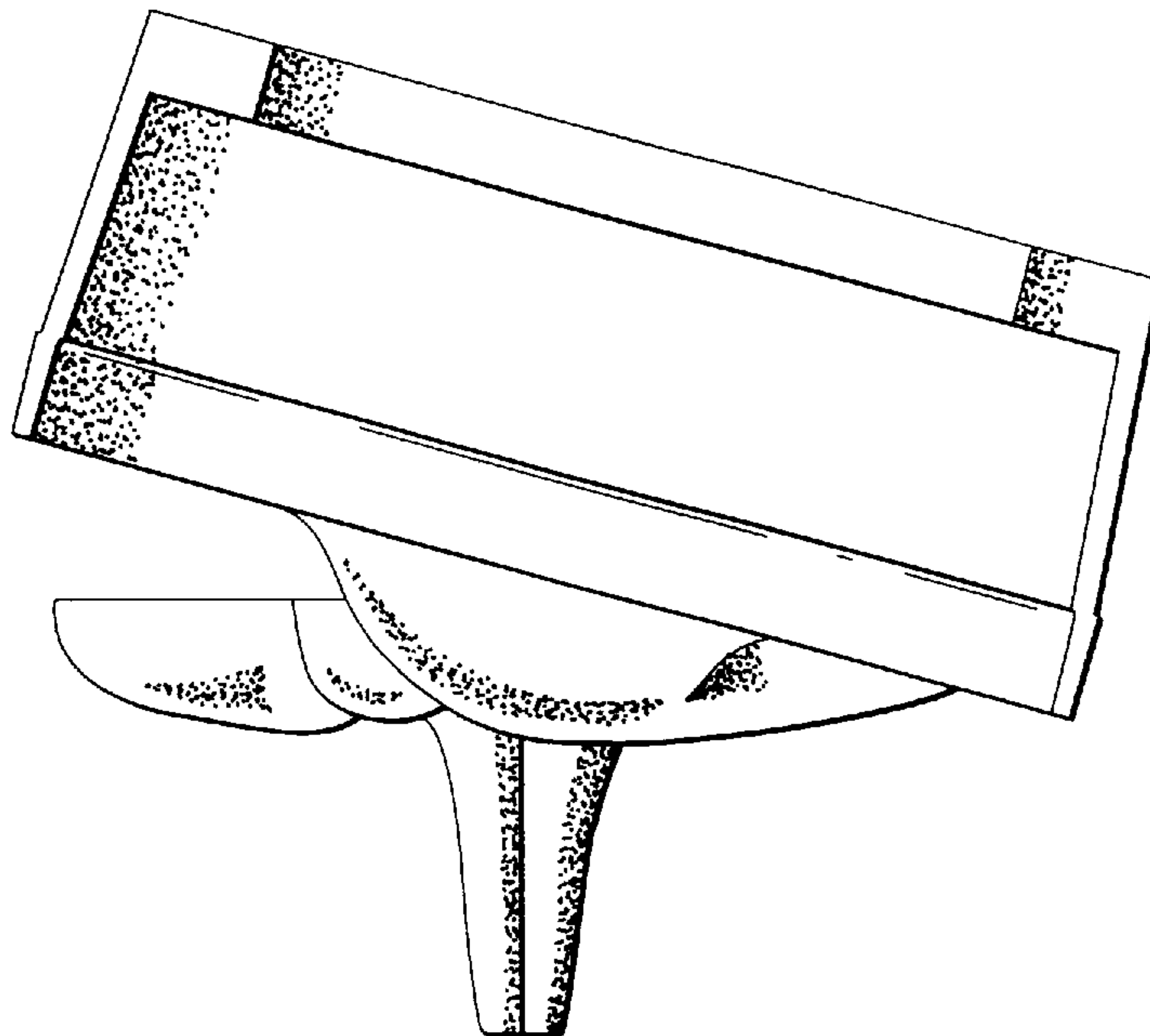


FIG 5

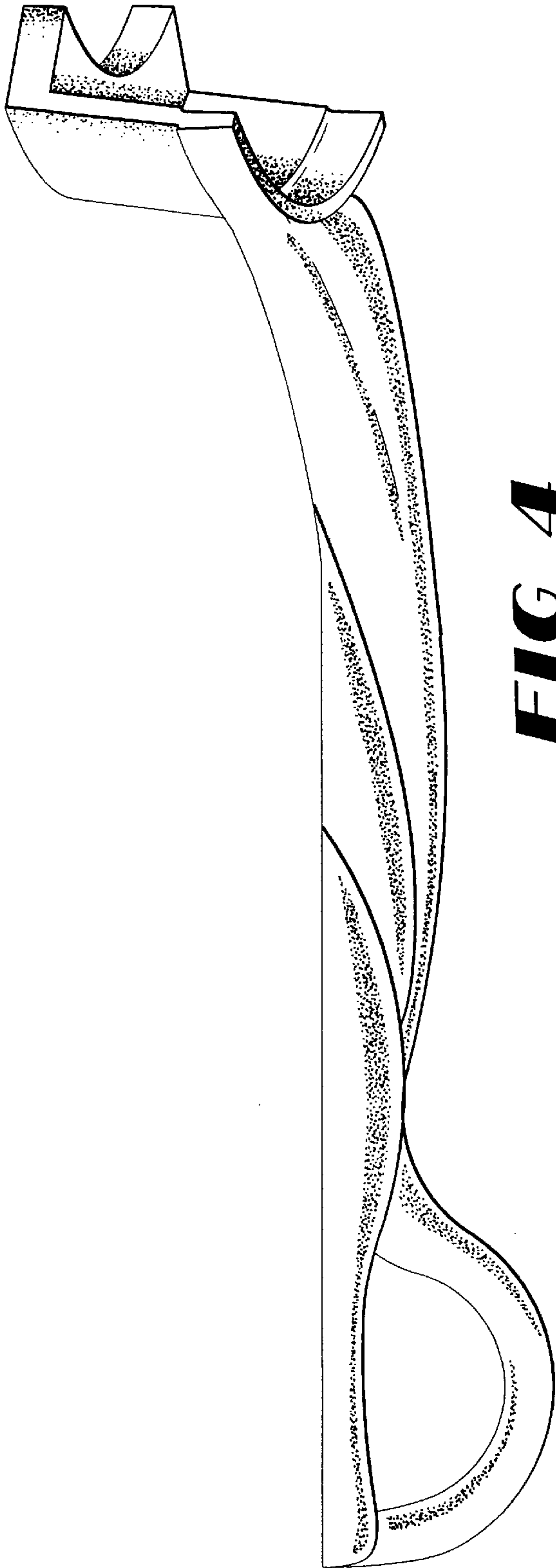


FIG 4

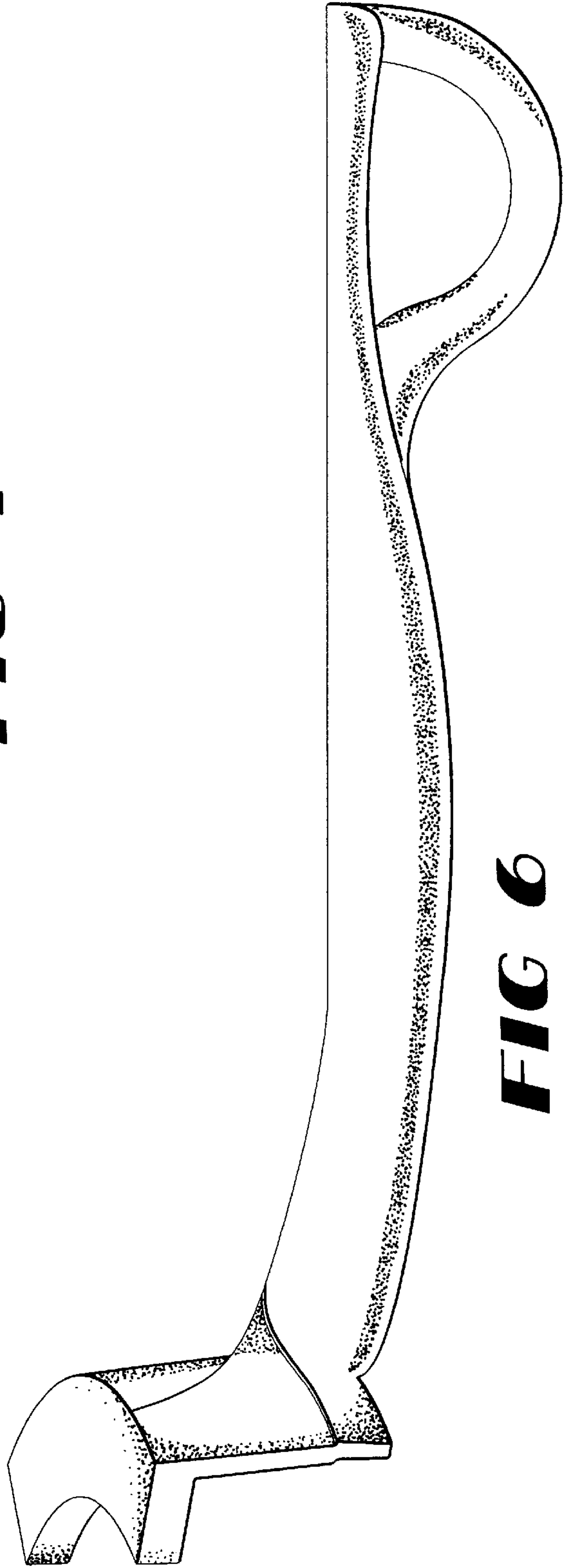


FIG 6

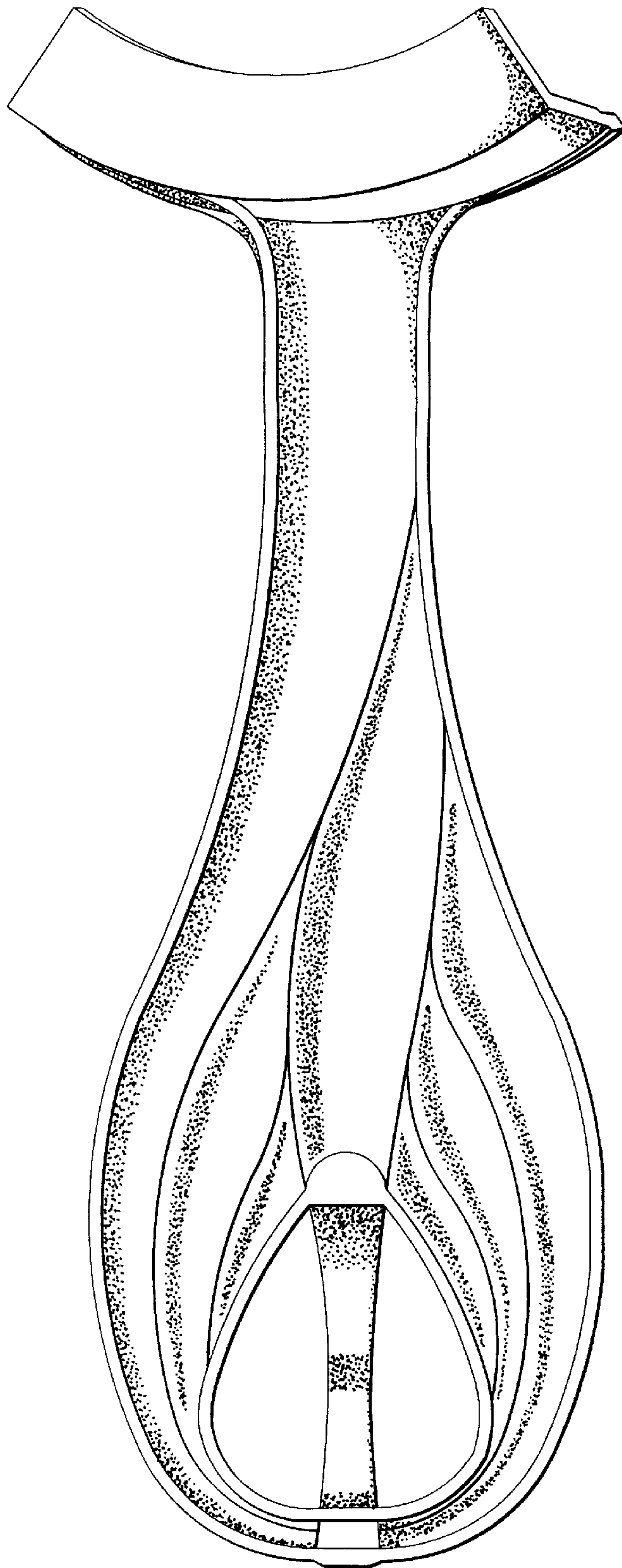


FIG 7

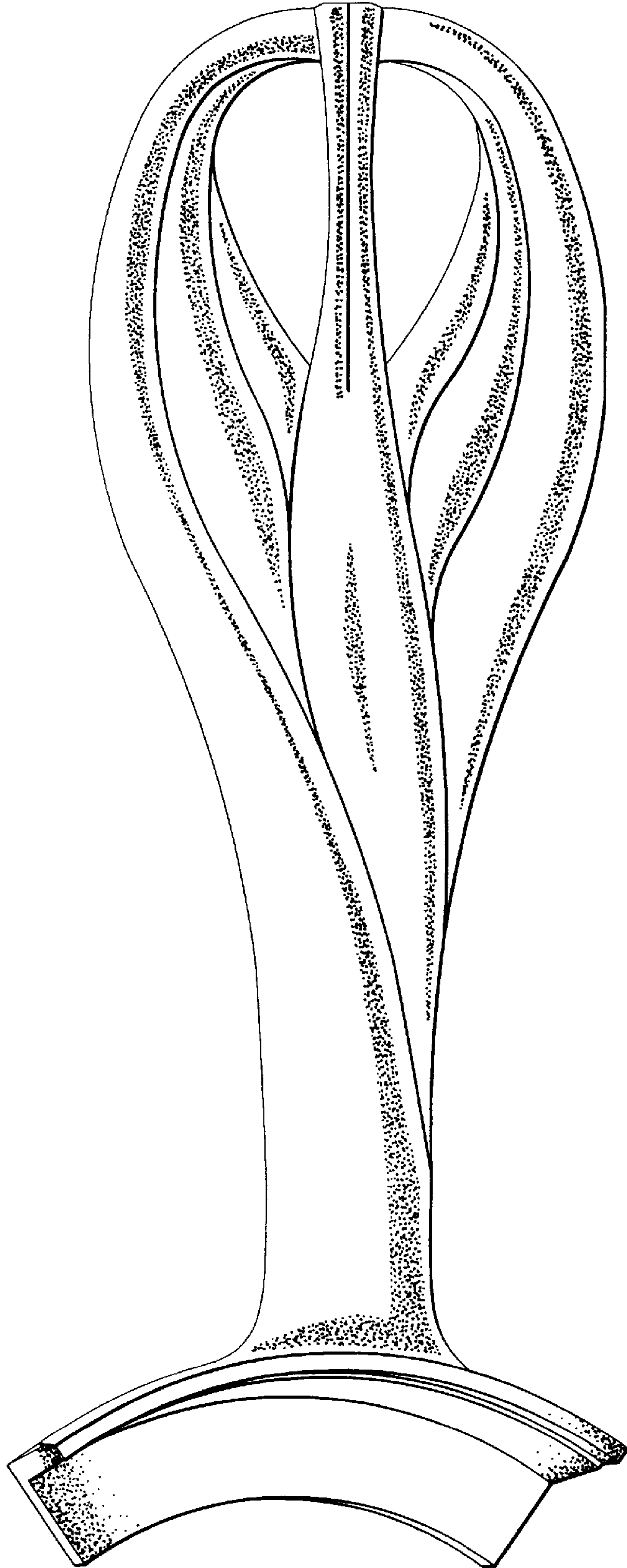


FIG 8