



US00D404123S

# United States Patent [19]

Pelonis

[11] **Patent Number: Des. 404,123**

[45] **Date of Patent: \*\*Jan. 12, 1999**

[54] **CEILING FAN HEATER**

3,223,828 12/1965 Mast .  
4,034,204 7/1977 Windsor et al. .

[76] Inventor: **Kosta L. Pelonis**, c/o Pelonis USA Ltd., 103 Great Valley Pkwy., Great Valley Corporate Center, Malvern, Pa. 19355

*Primary Examiner*—Lisa Lichtenstein  
*Attorney, Agent, or Firm*—Paul and Paul

[\*\*] Term: **14 Years**

[57] **CLAIM**

The ornamental design for a ceiling fan heater, as shown and described.

[21] Appl. No.: **61,387**

[22] Filed: **Oct. 23, 1996**

### DESCRIPTION

#### Related U.S. Application Data

[63] Continuation of Ser. No. 51,757, Mar. 18, 1996, Pat. No. Des. 381,074.

FIG. 1 is a side elevational view of a ceiling fan heater showing my design, the other sides being identical to that shown;

[51] **LOC (6) Cl.** ..... **23-03**

[52] **U.S. Cl.** ..... **D23/336; D23/411**

FIG. 2 is an enlarged top plan view taken along the line 2—2 and looking in the directions of the arrows of the ceiling fan heater of FIG. 1; and,

[58] **Field of Search** ..... D23/377, 379, D23/385, 411, 336; 416/5, 93 R, 95; 392/360, 361, 364; 165/122, 124

FIG. 3 is an enlarged bottom plan view of the ceiling fan heater of FIG. 1.

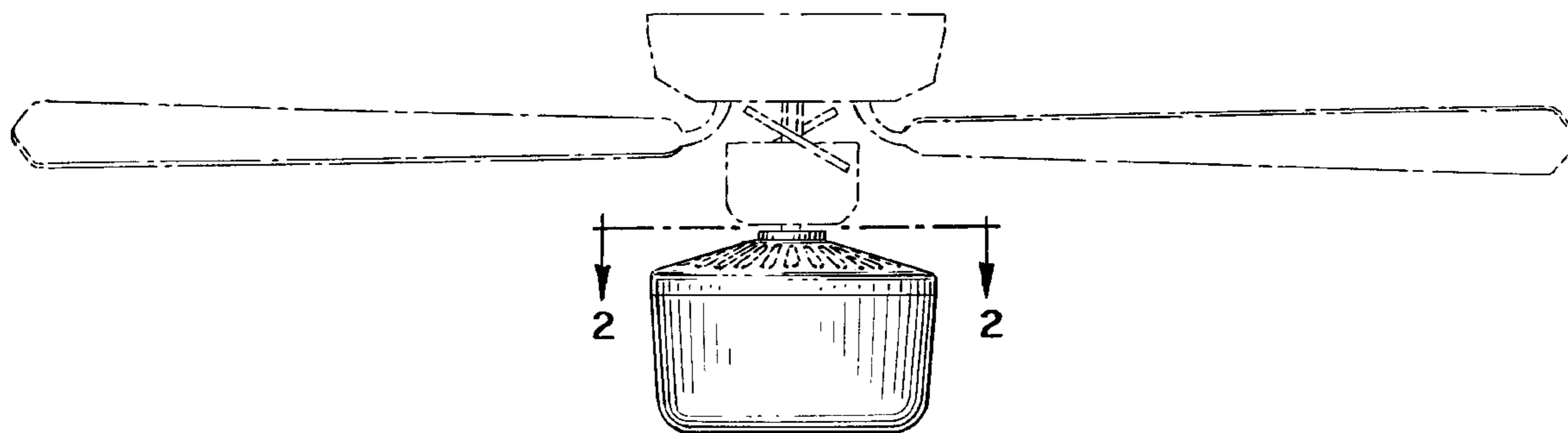
The broken-line showing of environmental structure in FIGS. 1—3 is for illustrative purposes only and forms no part of the claimed design.

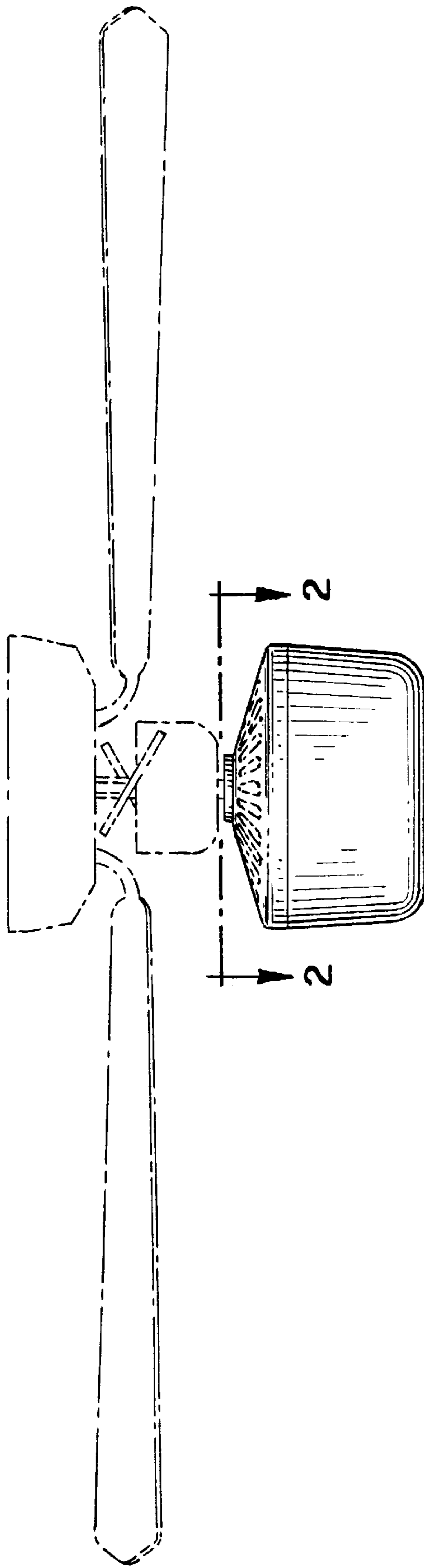
#### References Cited

##### U.S. PATENT DOCUMENTS

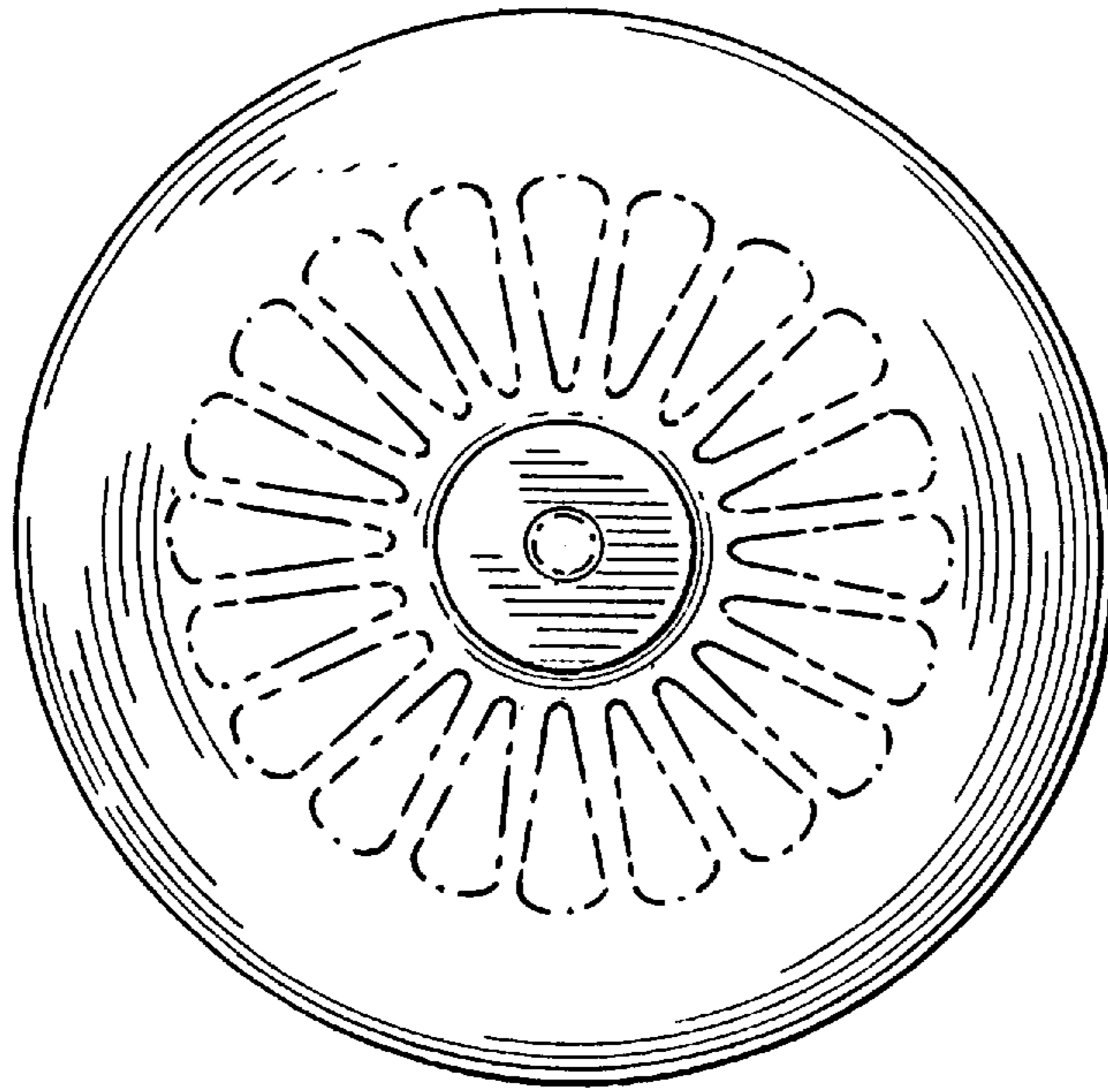
2,044,832 6/1936 Child .

**1 Claim, 2 Drawing Sheets**

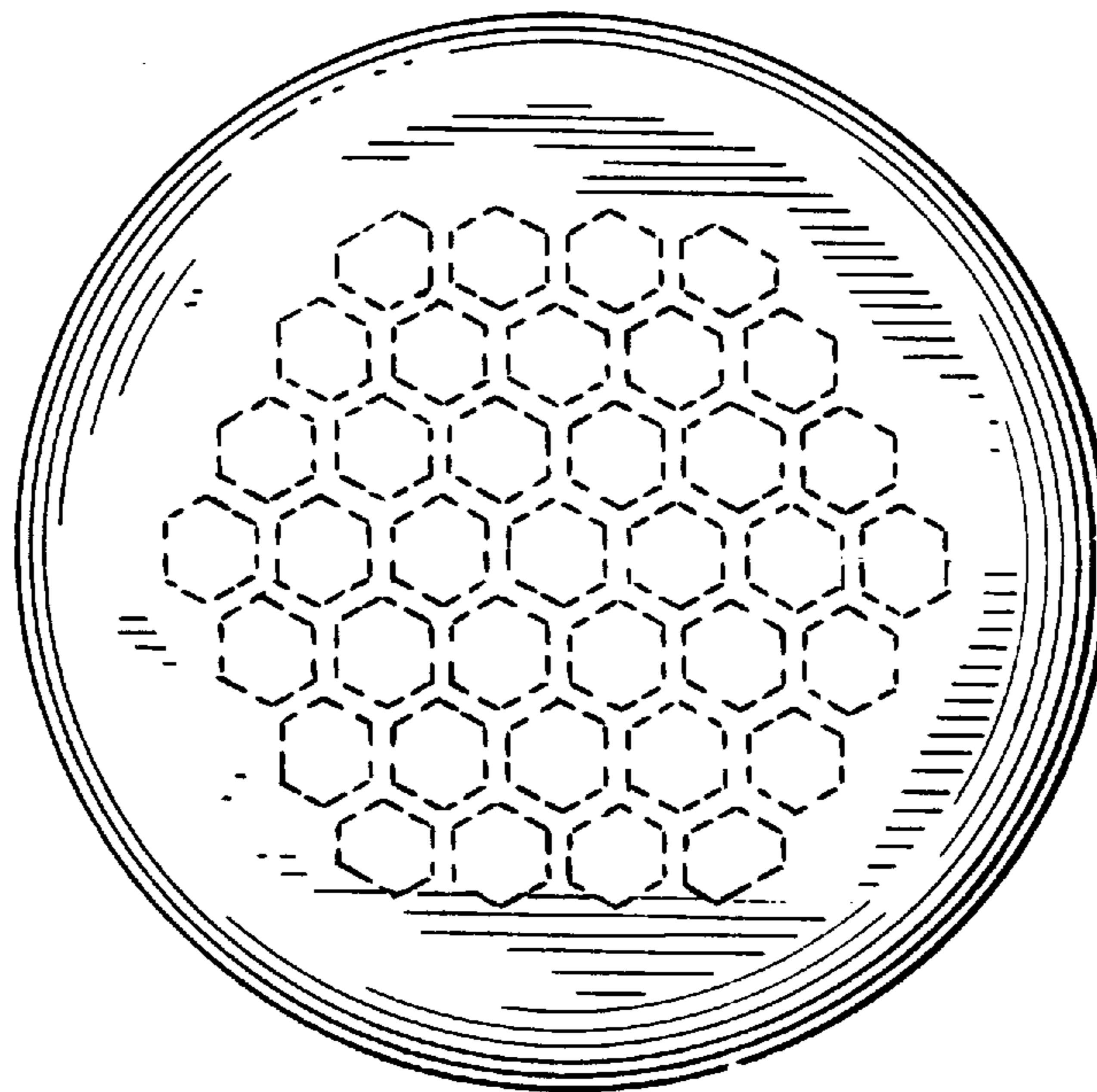




*Fig. 1*



*Fig. 2*



*Fig. 3*