



US00D404122S

United States Patent [19]

Hayashi et al.

[11] Patent Number: Des. 404,122

[45] Date of Patent: **Jan. 12, 1999

[54] VENTILATING FAN

2,828,682 4/1958 Marker 454/354
5,620,370 4/1997 Umai et al. 454/354

[75] Inventors: **Kyo Hayashi; Hitoshi Miura**, both of Aichi, Japan

[73] Assignees: **Matsushita Electric Industrial Co., Ltd.; Matsushita Seiko Co., Ltd.**, both of Japan

[**] Term: **14 Years**

Primary Examiner—Lisa Lichtenstein
Attorney, Agent, or Firm—Saidman DesignLaw Group

[21] Appl. No.: **74,237**

[22] Filed: **Jul. 29, 1997**

[30] **Foreign Application Priority Data**

Mar. 5, 1997 [JP] Japan 9-6530

[51] **LOC (6) Cl.** **23-04**

[52] **U.S. Cl.** **D23/370; D23/371; D23/385**

[58] **Field of Search** **D23/370, 371, D23/385; 416/5; 454/349, 354, 329**

[57] **CLAIM**

The ornamental design for a ventilating fan, as shown.

DESCRIPTION

FIG. 1 is a perspective view of the front, bottom and left side of a ventilating fan showing our new design;

FIG. 2 is a front elevational view thereof;

FIG. 3 is a rear elevational view thereof;

FIG. 4 is a top plan view thereof;

FIG. 5 is a bottom view thereof;

FIG. 6 is a left side view thereof; and,

FIG. 7 is a right side view thereof.

[56] **References Cited**

U.S. PATENT DOCUMENTS

D. 340,514 10/1993 Liao .

1 Claim, 5 Drawing Sheets

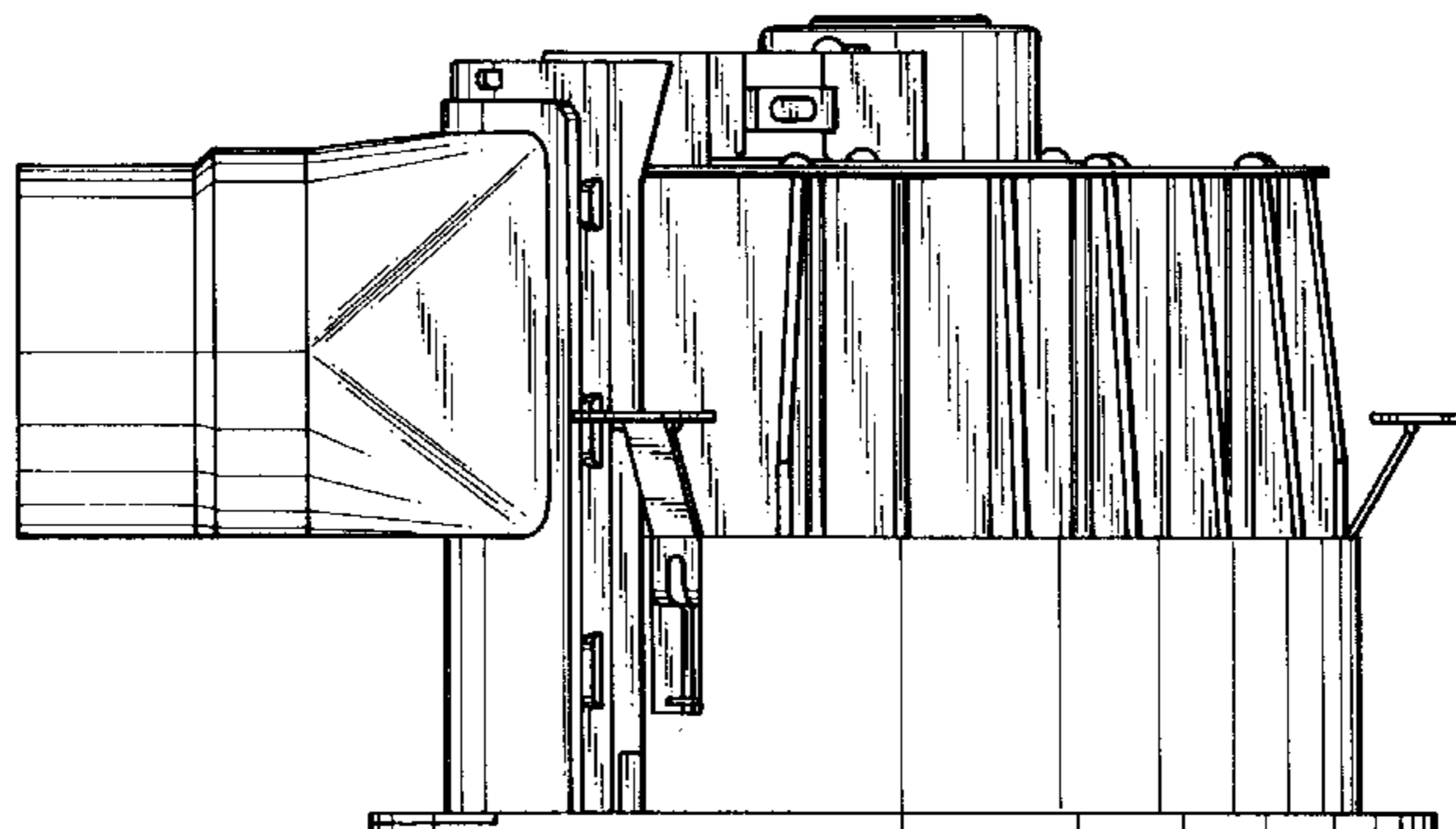
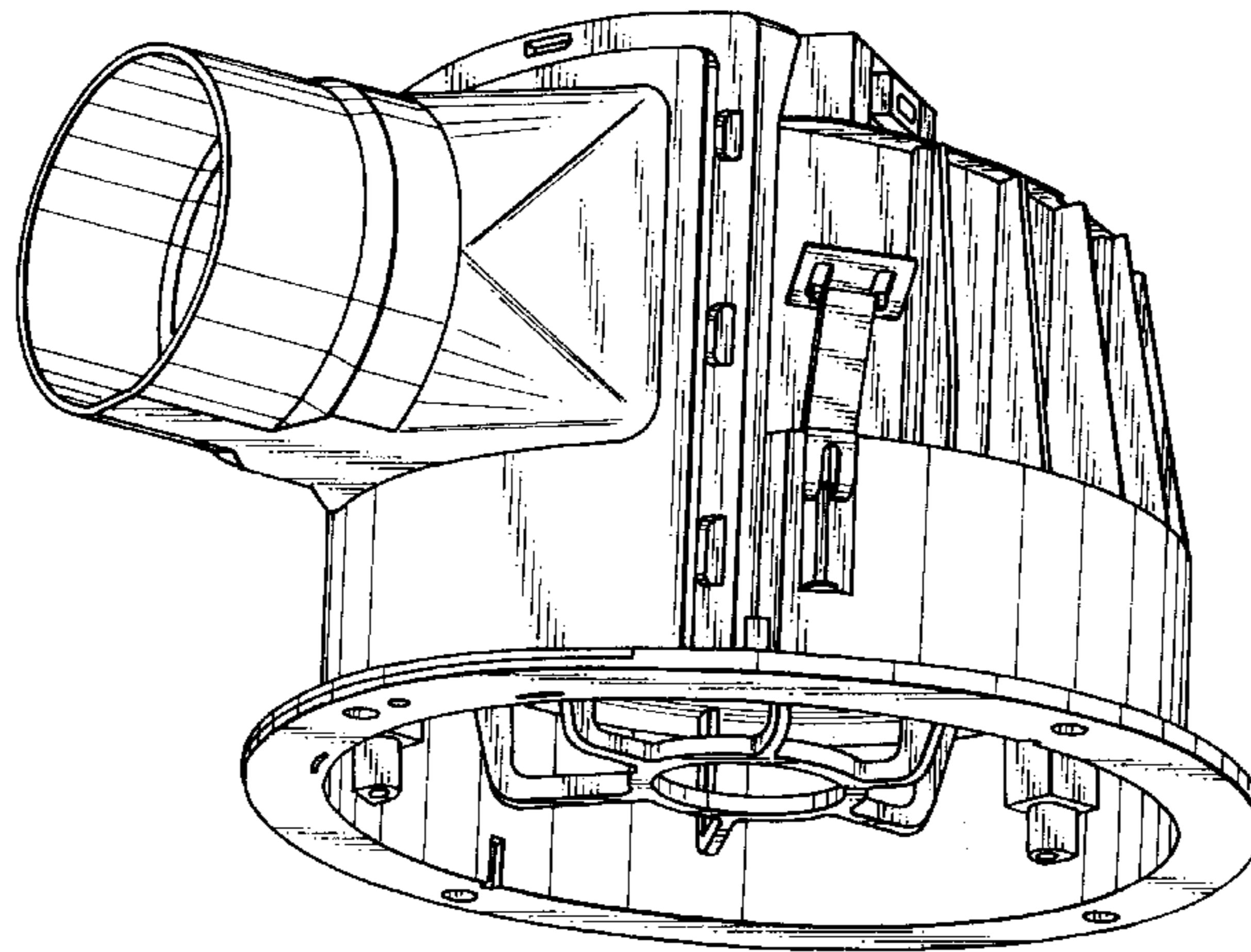


Fig. 1

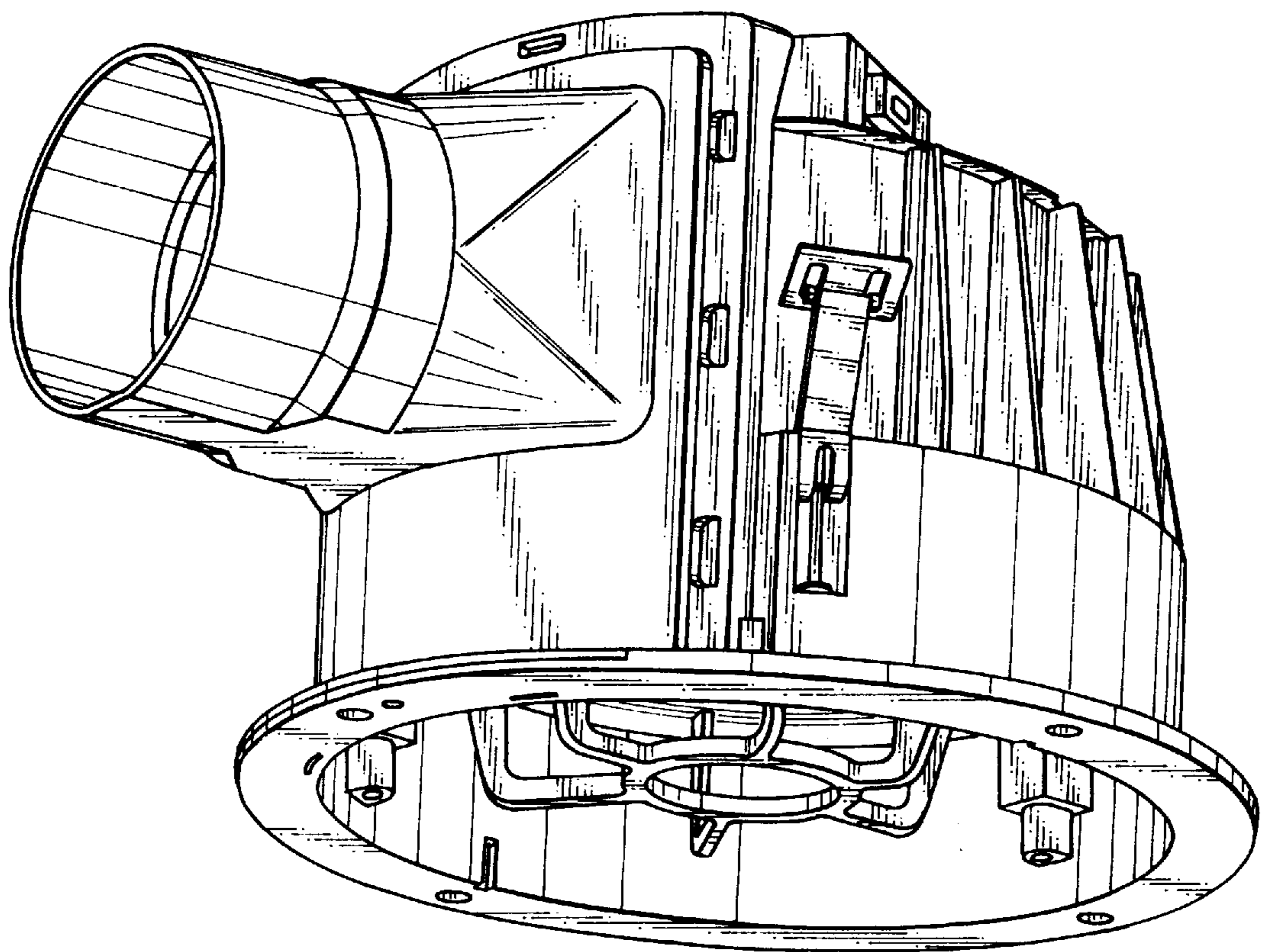


Fig. 2

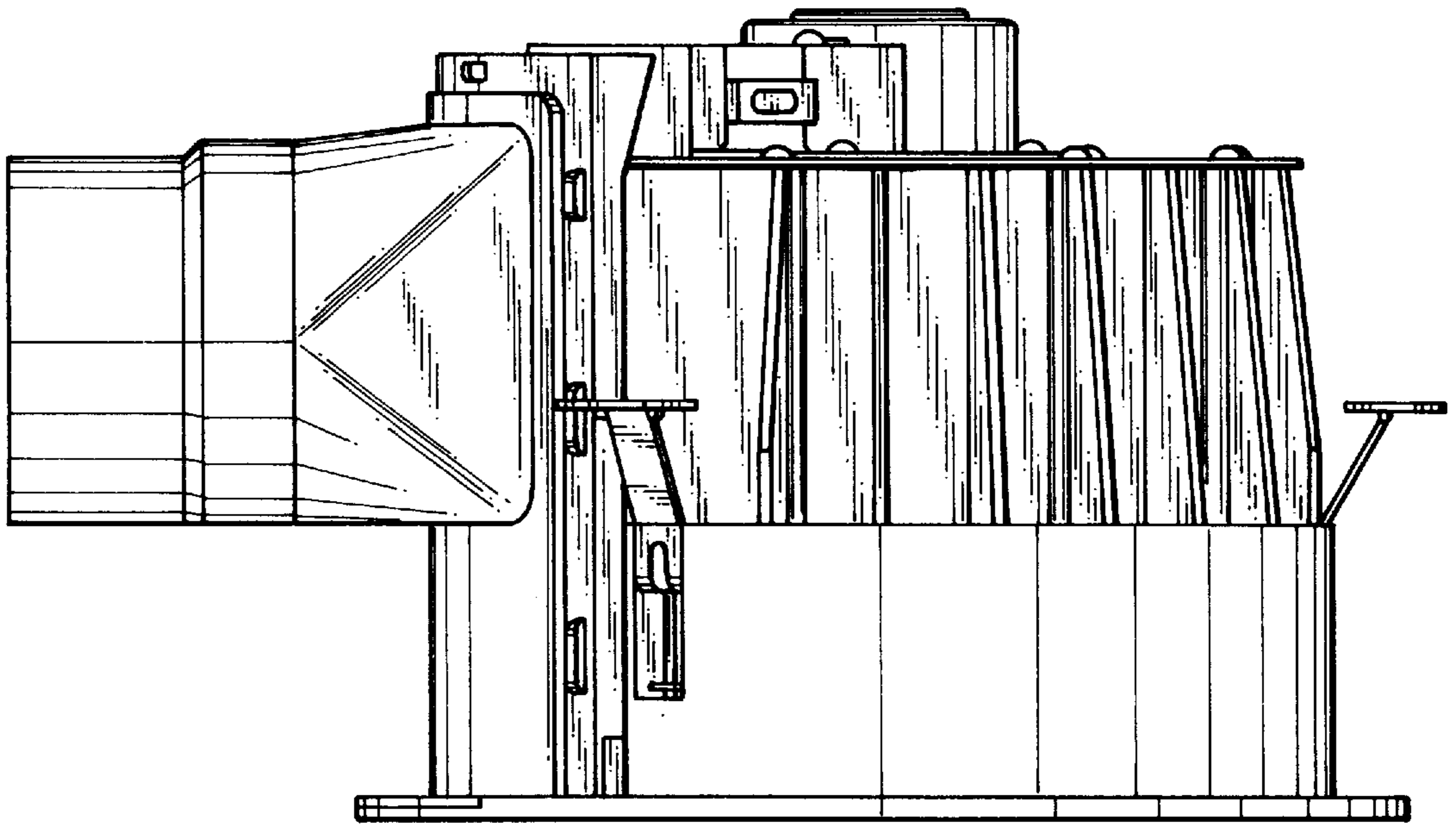


Fig. 3

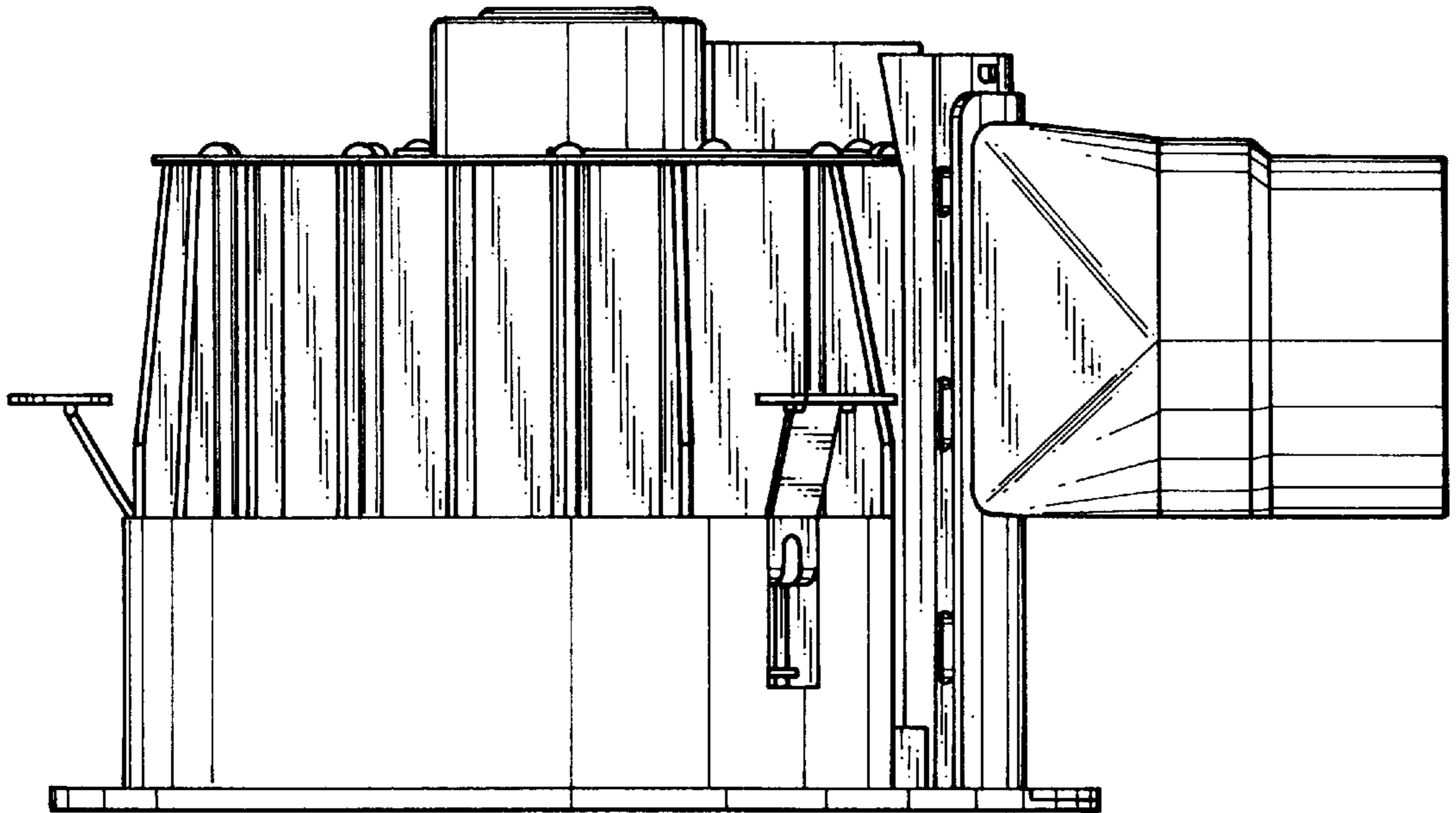


Fig. 4

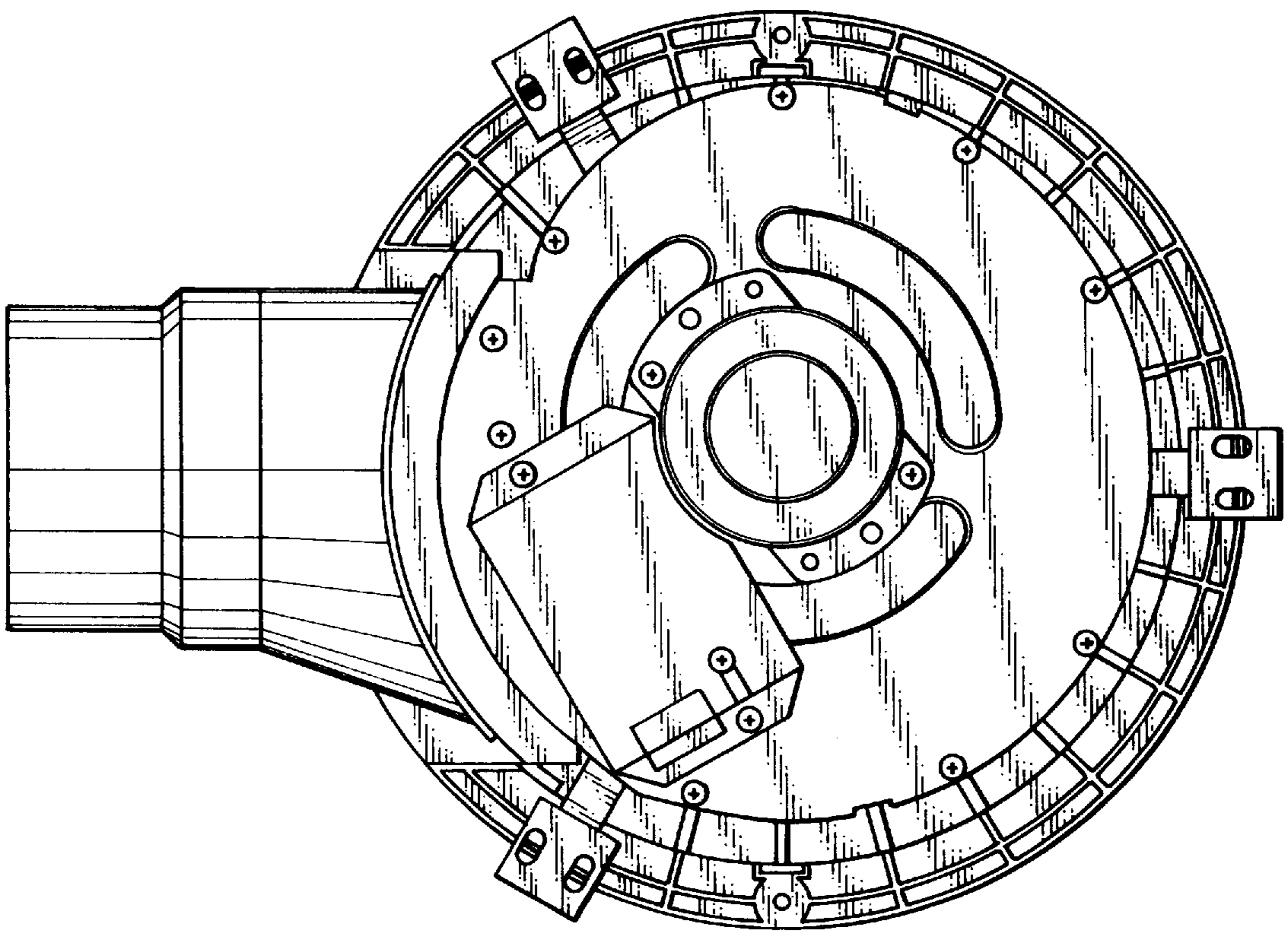


Fig. 5

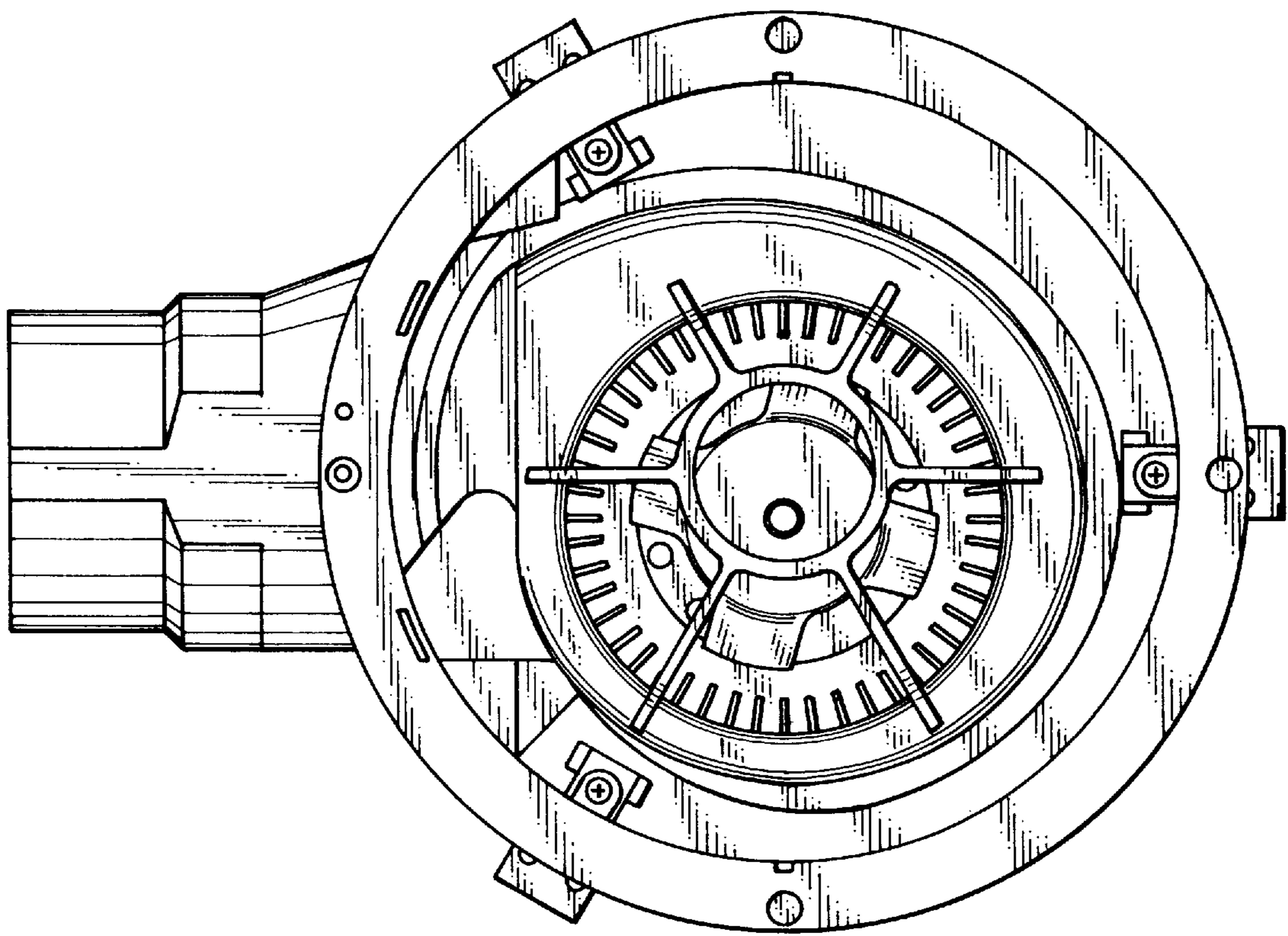


Fig. 6

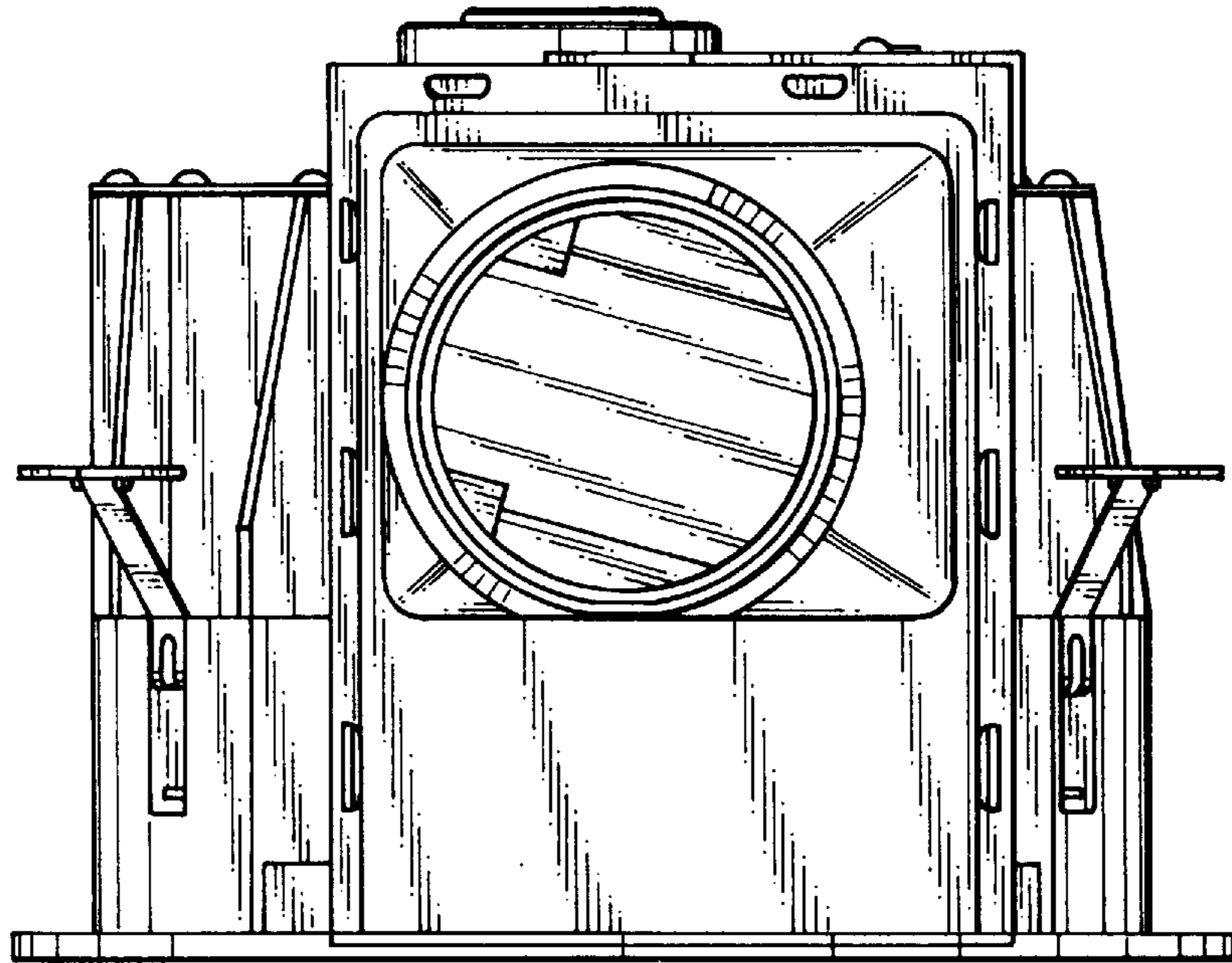


Fig. 7

