



US00D404118S

United States Patent [19]
Hwang

[11] **Patent Number: Des. 404,118**

[45] **Date of Patent: **Jan. 12, 1999**

[54] **SIMPLET VALVE**

[76] **Inventor: Lisa Hwang**, 8F, 168 Nanking E. Rd.,
Sec. 5, Taipei, Taiwan

[**] **Term: 14 Years**

[21] **Appl. No.: 61,455**

[22] **Filed: Oct. 24, 1996**

[51] **LOC (6) Cl. 23-01**

[52] **U.S. Cl. D23/233; D23/248**

[58] **Field of Search D23/233, 235,
D23/245, 247, 248; 251/352, 349**

[56] **References Cited**

U.S. PATENT DOCUMENTS

D. 285,716	9/1986	Bova	D23/233
2,859,932	11/1958	Mackal	251/349
5,129,584	7/1992	Ridenour	251/352

Primary Examiner—Alan P. Douglas
Assistant Examiner—Robin V. Taylor
Attorney, Agent, or Firm—Birch, Stewart, Kolasch & Birch,
LLP

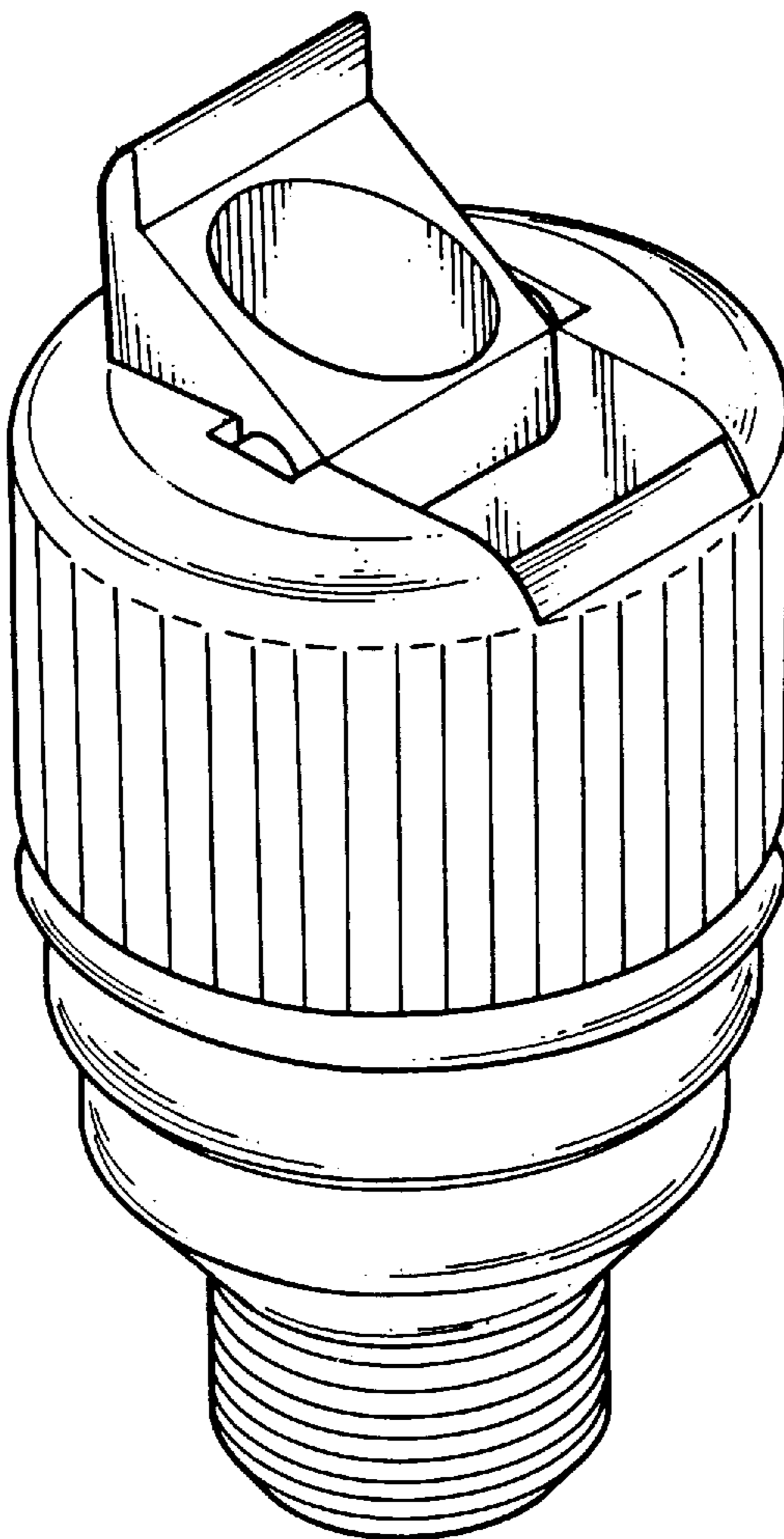
[57] **CLAIM**

The ornamental design for a simplet valve, as shown and described.

DESCRIPTION

FIG. 1 is a front elevational view of simplet valve showing my new design;
FIG. 2 is a left side elevational view thereof;
FIG. 3 is a top plan view thereof;
FIG. 4 is a bottom plan view thereof;
FIG. 5 is a rear elevational view thereof; and,
FIG. 6 is a left front perspective view.

1 Claim, 3 Drawing Sheets



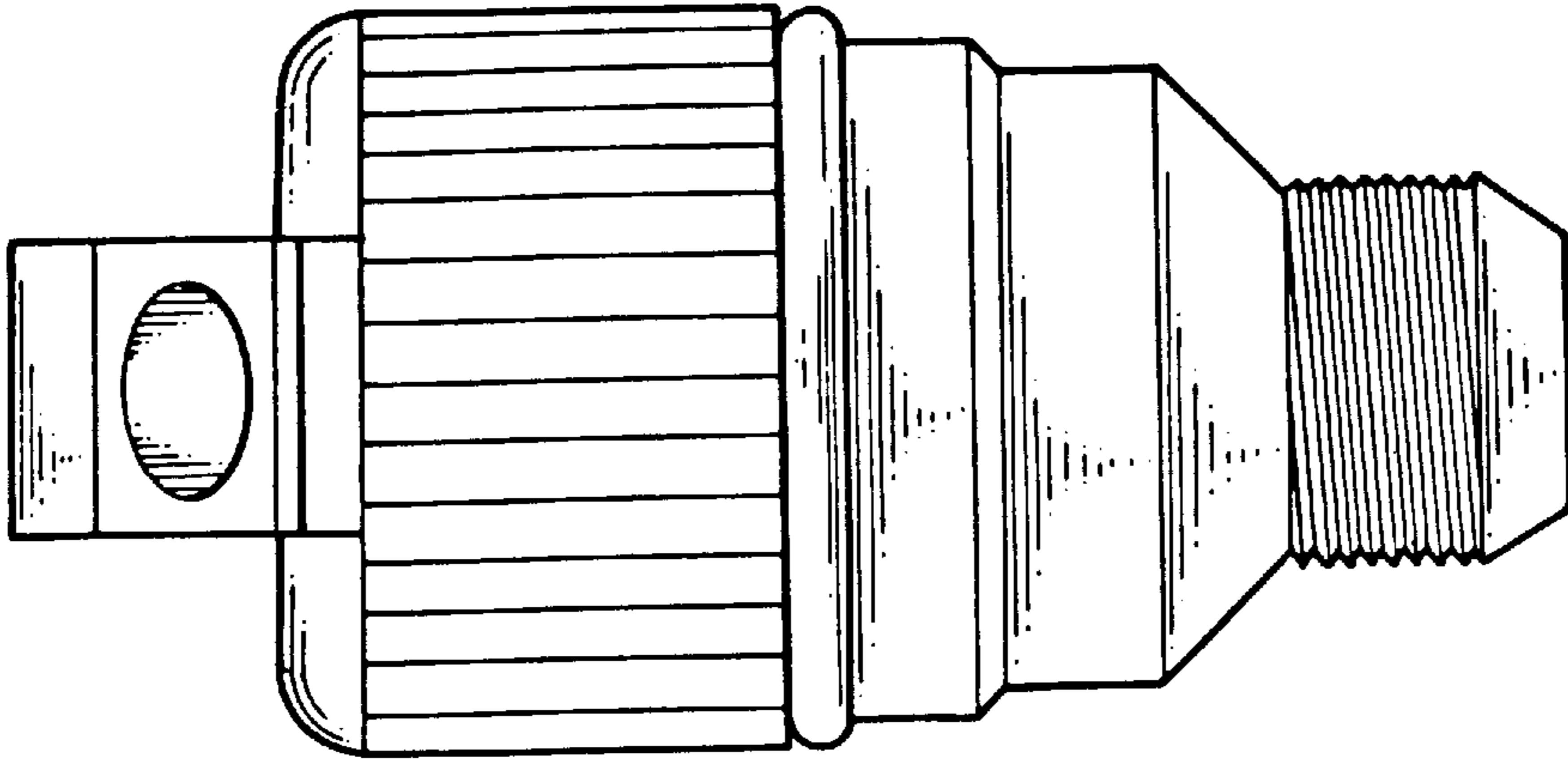


FIG. 1

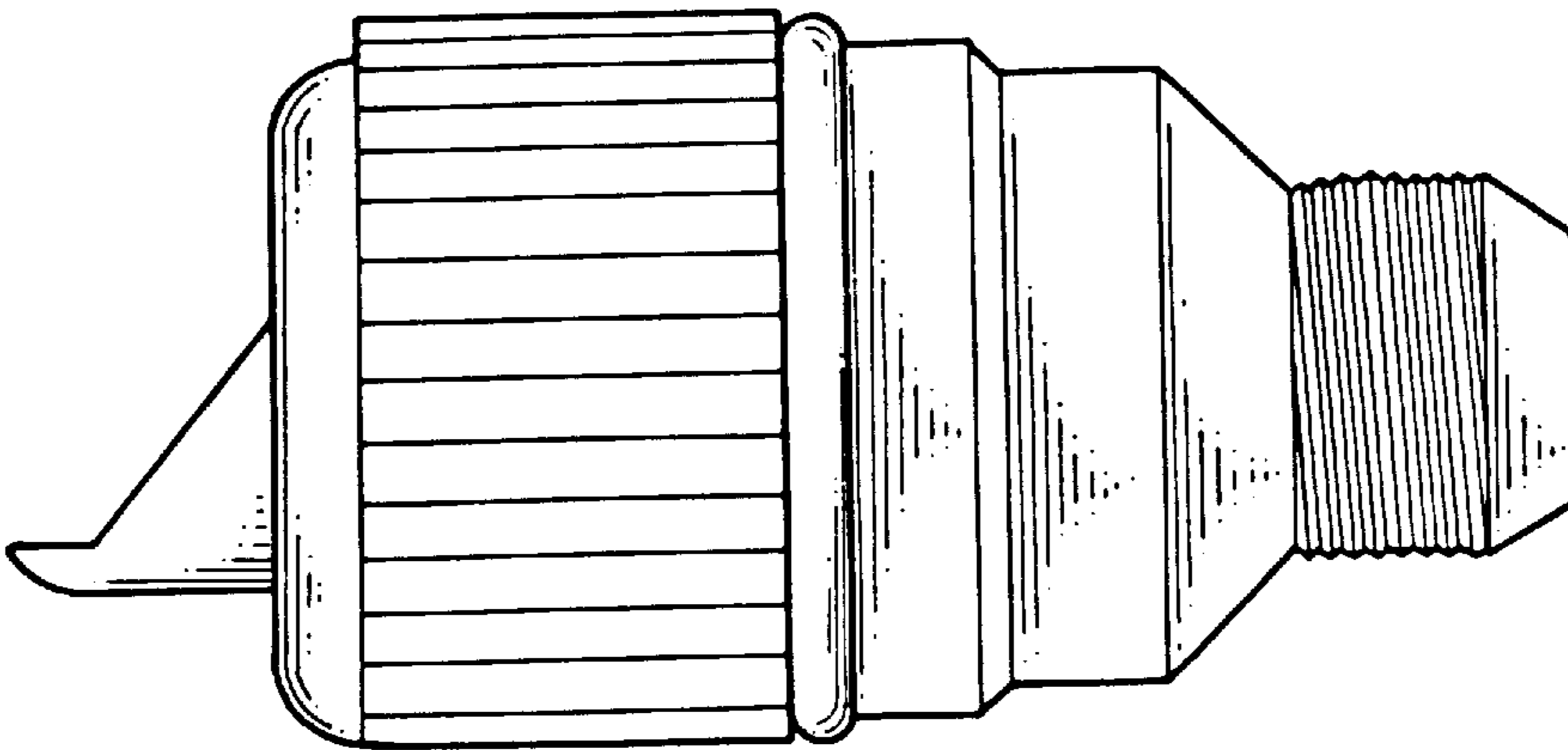


FIG. 2

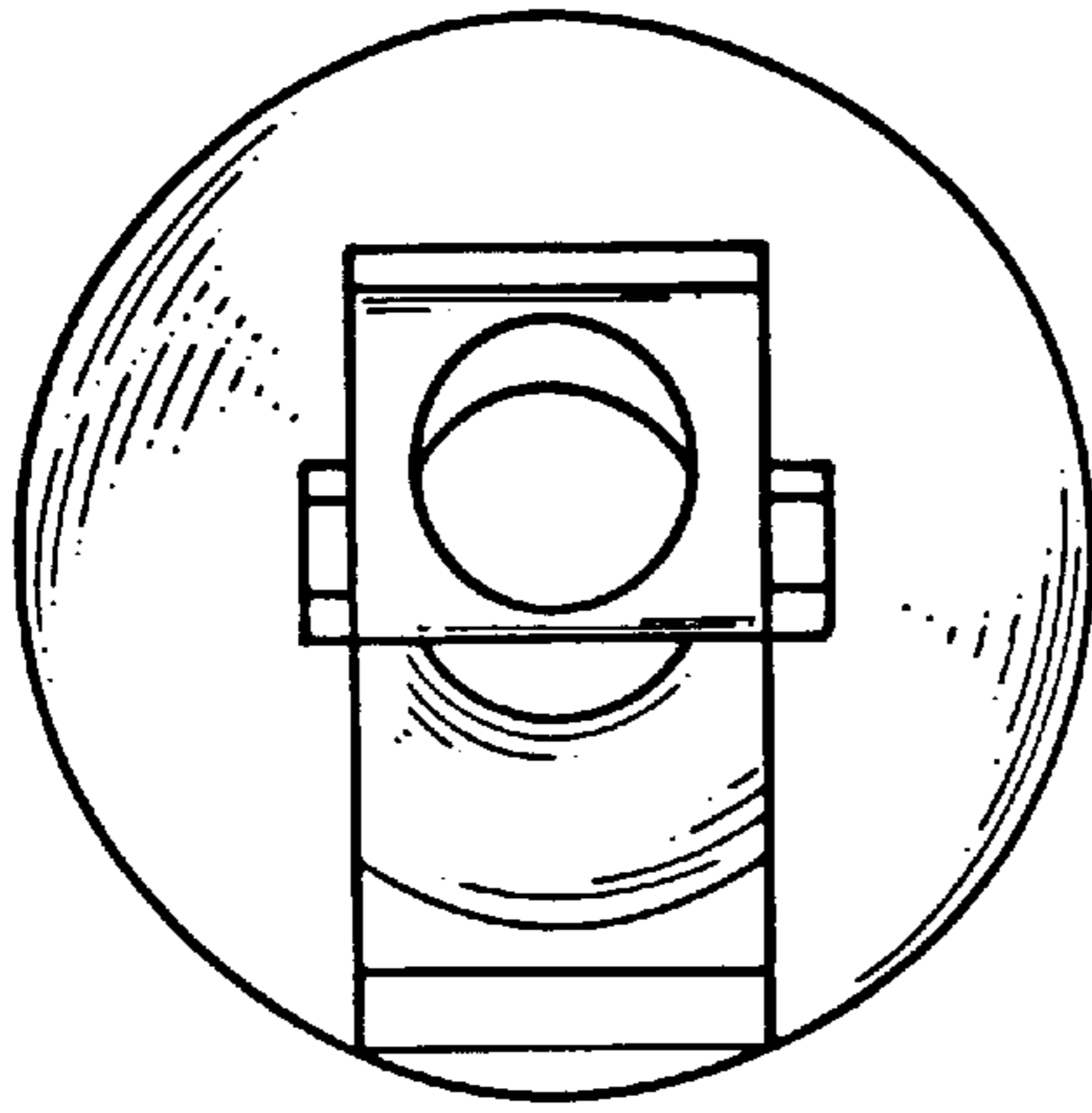


FIG. 3

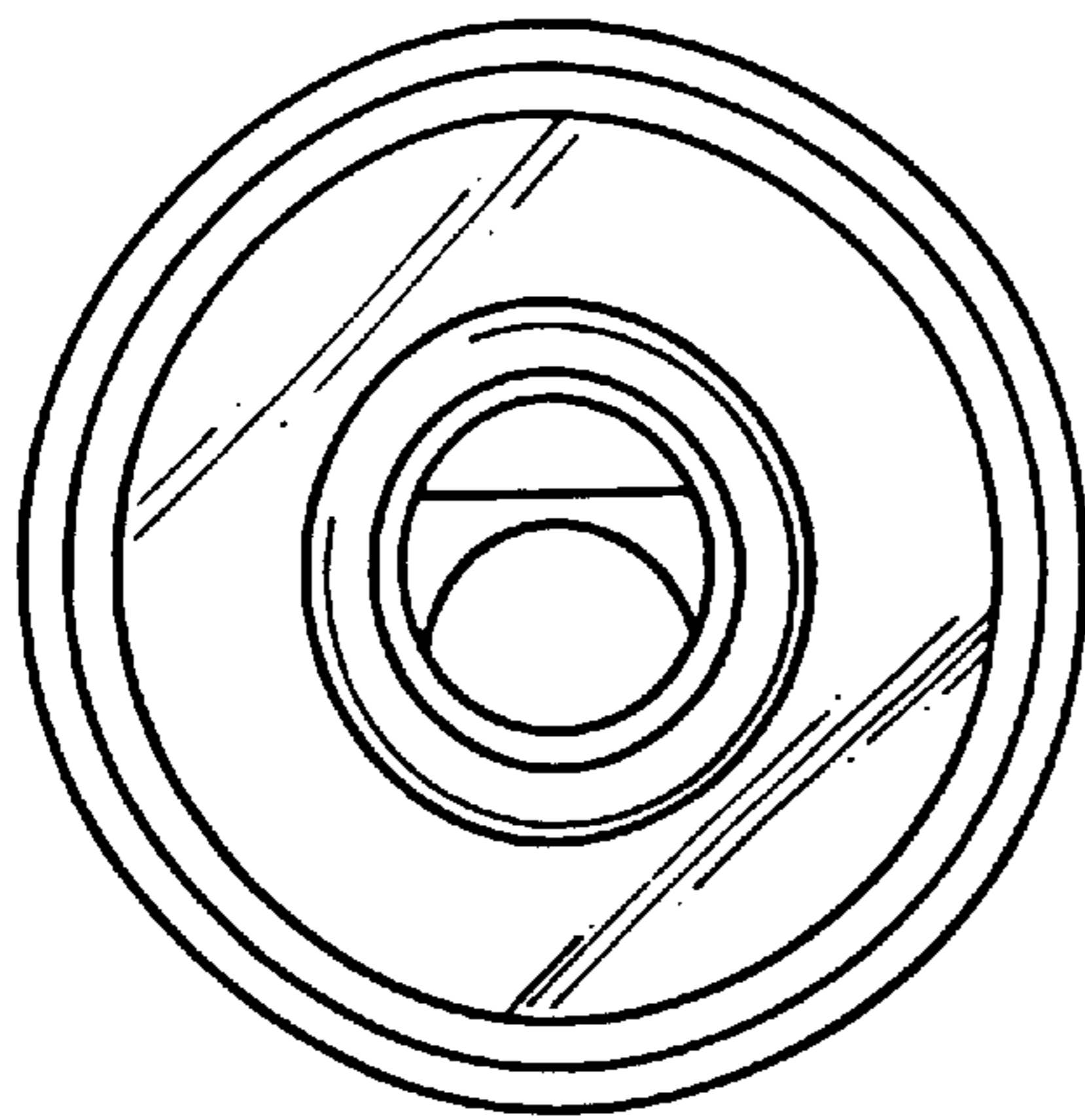


FIG. 4

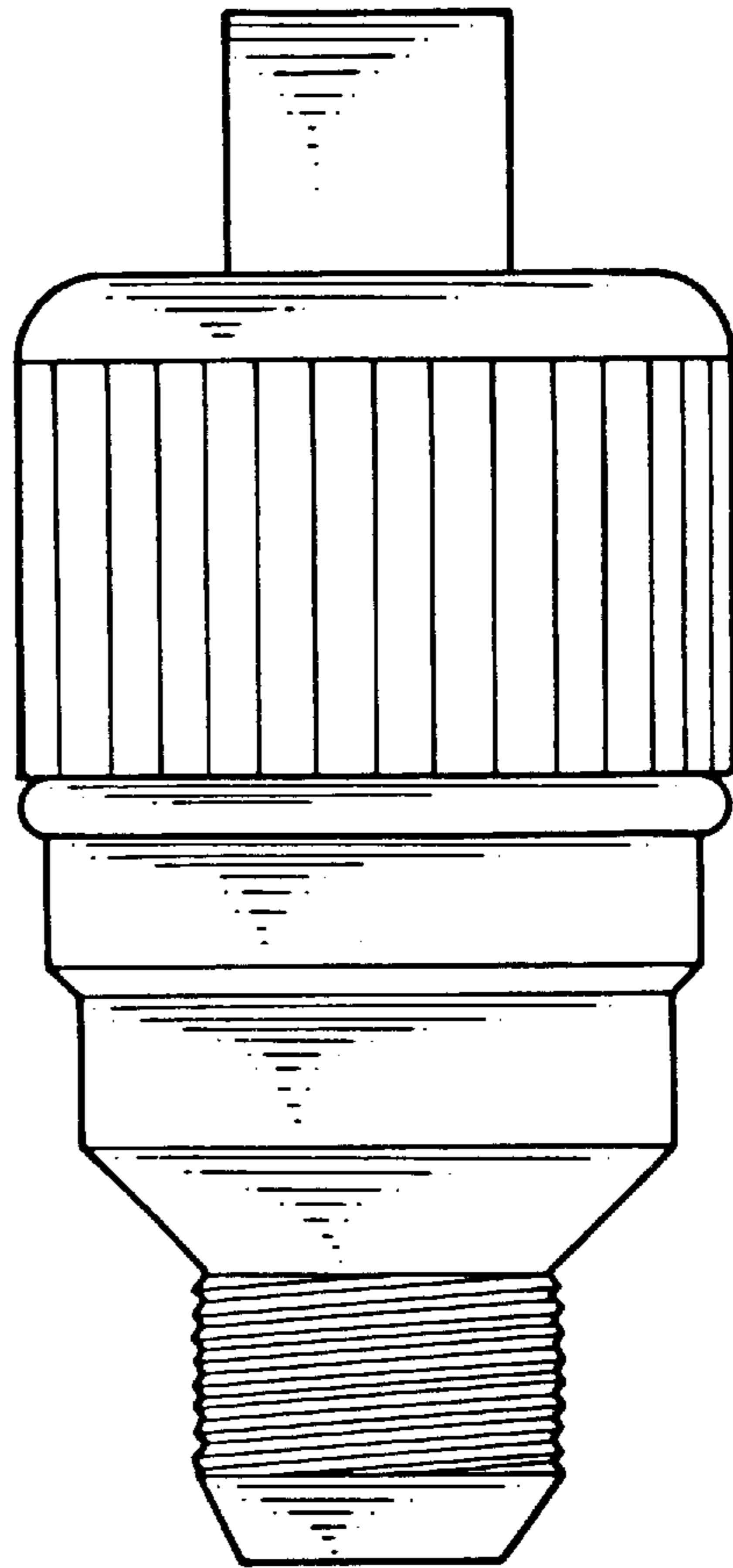


FIG. 5

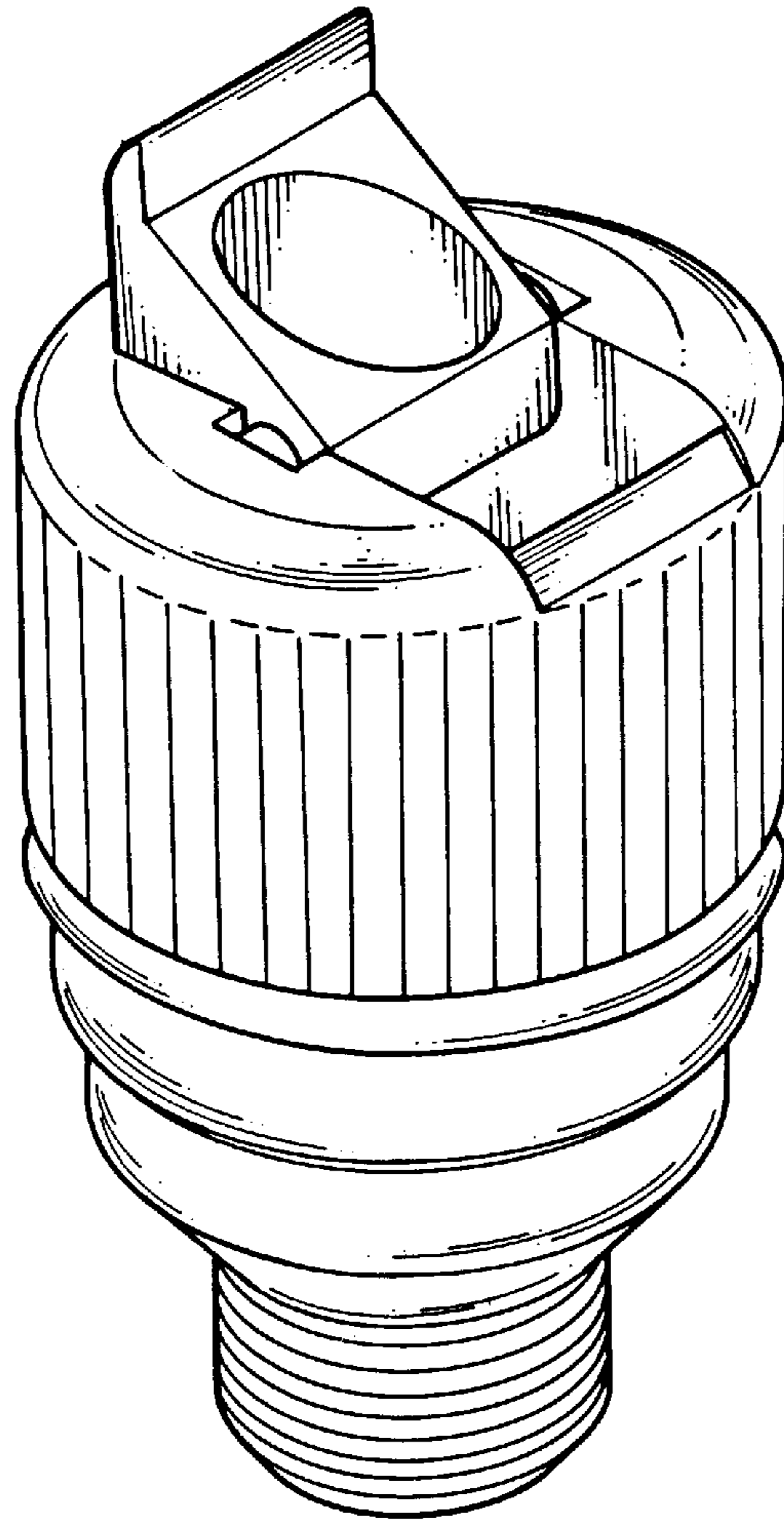


FIG. 6