



US00D404108S

United States Patent [19]

[11] **Patent Number: Des. 404,108**

Eason

[45] **Date of Patent: **Jan. 12, 1999**

[54] **GAME SCENT DIFFUSER**

[76] Inventor: **Donald James Eason**, 687 Patosa Trail,
Pocahontas, Ark. 72455

[**] Term: **14 Years**

[21] Appl. No.: **69,845**

[22] Filed: **Apr. 18, 1997**

Related U.S. Application Data

[63] Continuation-in-part of Ser. No. 411,109, Mar. 27, 1995, Pat.
No. 5,622,314.

[51] **LOC (6) Cl.** **22-06**

[52] **U.S. Cl.** **D22/125**

[58] **Field of Search** D22/125, 199;
239/47, 55, 50, 44; 43/1; D23/336-369;
222/187

References Cited

U.S. PATENT DOCUMENTS

D. 386,256	11/1997	Turpin	D22/125
2,362,903	11/1944	Keim	239/47
2,452,424	10/1948	Bell	239/47
2,474,606	6/1949	Nicolet	239/47
2,474,607	6/1949	Wheeler et al.	239/47
2,537,357	1/1951	Levin	239/47
2,538,989	1/1951	Tomaschke	239/47
2,826,452	3/1958	Fevre	239/50
2,959,354	11/1960	Beck	D22/125
3,257,077	6/1966	Corning	239/47
4,136,825	1/1979	Mack et al.	239/50
4,523,717	6/1985	Schwab	D22/199

4,742,960	5/1988	Bustillo et al.	239/47
5,048,218	9/1991	Stewart	D22/125
5,060,411	10/1991	Uhlman	D22/125
5,161,646	11/1992	Aurich et al.	D22/125
5,263,274	11/1993	Speed	43/1
5,307,584	5/1994	Jarvis	43/1
5,359,801	11/1994	Mattucci et al.	43/1
5,361,527	11/1994	Burgeson	43/1
5,465,521	11/1995	Baker et al.	43/1
5,555,663	9/1996	Burgeson	43/1
5,555,665	9/1996	Fore	43/1
5,622,314	4/1997	Eason	239/47
5,746,019	5/1998	Fisher	239/47

Primary Examiner—Doris V. Coles
Attorney, Agent, or Firm—Jerry L. Mahurin

[57] CLAIM

I claim the ornamental design for a game scent diffuser, as shown and described.

DESCRIPTION

FIG. 1 is a front elevational view of a game scent diffuser, showing my new design, the rear being a mirror image thereof;

FIG. 2 is a side elevational view, the opposite side being a mirror image thereof;

FIG. 3 is a top plan view thereof;

FIG. 4 is a bottom plan view thereof;

FIG. 5 front elevational view thereof; and,

FIG. 6 is another front elevational view thereof.

The broken line showing of a scent bottle, wick and bottle cap in FIGS. 5 and 6 is for illustrative purposes only and forms no part of claimed design.

1 Claim, 2 Drawing Sheets

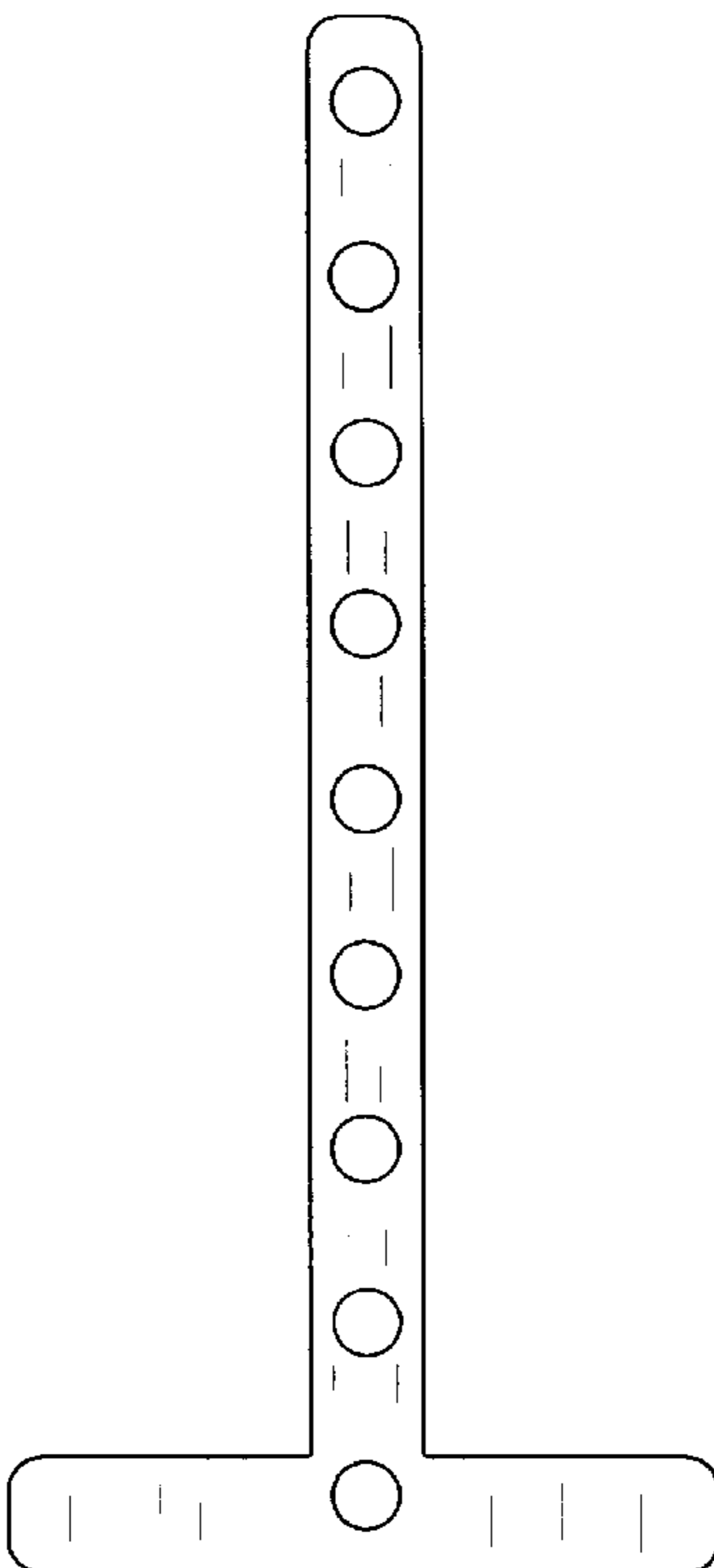


FIG. 1

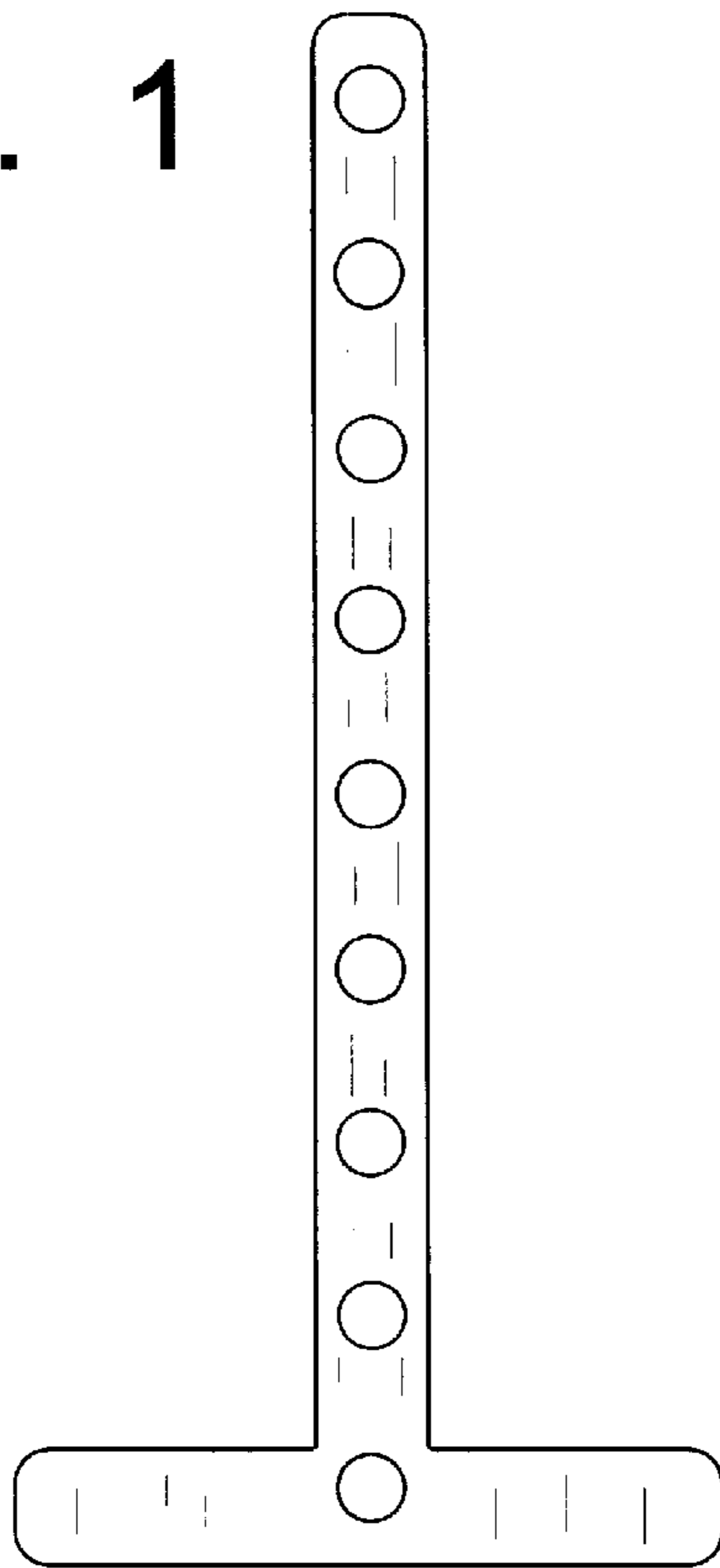


FIG. 2



FIG. 3

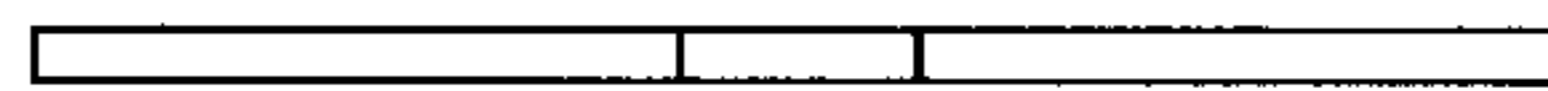


FIG. 4



FIG. 5

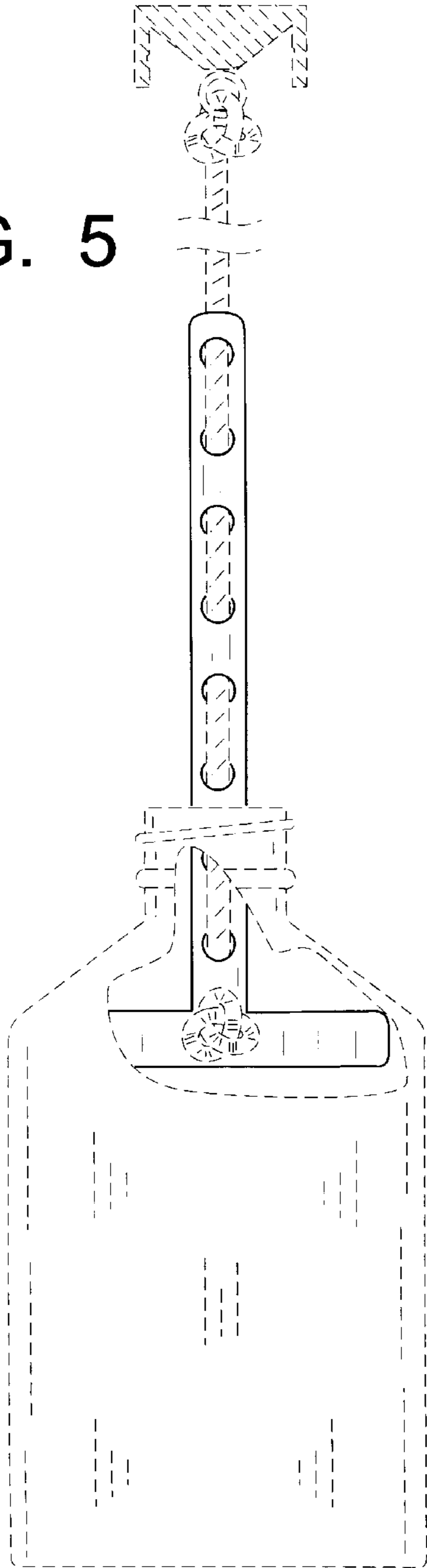


FIG. 6

