



US00D404103S

# United States Patent [19] Winters

[11] **Patent Number: Des. 404,103**

[45] **Date of Patent: \*\*Jan. 12, 1999**

[54] **GOLF SWING TRAINING DEVICE**

[76] Inventor: **Wim Winters**, Rembrandtweg 17A,  
2202 AT Noordwijk, Netherlands

[\*\*] Term: **14 Years**

[21] Appl. No.: **73,829**

[22] Filed: **Jul. 21, 1997**

[30] **Foreign Application Priority Data**

Jan. 20, 1997 [BX] Benelux TM/Des. Off. .... 72751-01

[51] **LOC (6) Cl. .... 21-02**

[52] **U.S. Cl. .... D21/791**

[58] **Field of Search .... D21/234; 473/207,  
473/215**

[56] **References Cited**

### U.S. PATENT DOCUMENTS

D. 216,815	3/1970	Gunn, Jr. ....	D21/234
D. 329,678	9/1992	Mehrholz ....	D21/234
D. 364,911	12/1995	Todaro ....	D21/234
D. 372,064	7/1996	Del Barrio ....	D21/234
3,804,420	4/1974	Boyd ....	473/215

4,519,608	5/1985	Gilly .....	473/215
4,582,325	4/1986	Yuhara .....	473/215
5,188,365	2/1993	Picard .....	473/215
5,441,271	8/1995	Briggs .....	473/215
5,643,097	7/1997	Bechler et al. ....	473/215

*Primary Examiner*—Philip S. Hyder  
*Assistant Examiner*—Mitchell I. Siegel  
*Attorney, Agent, or Firm*—Beveridge, DeGrandi, Weilacher & Young, LLP

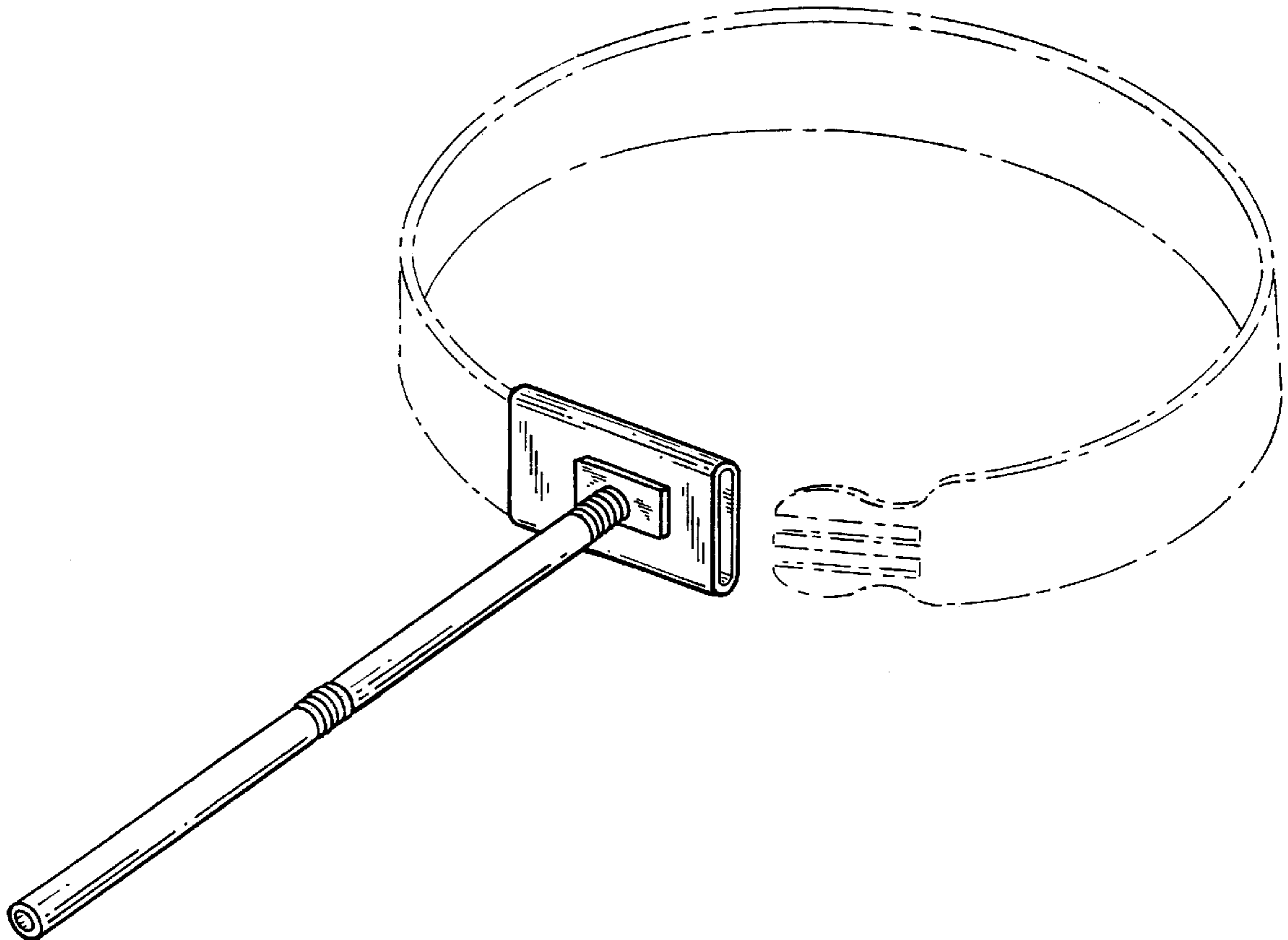
[57] **CLAIM**

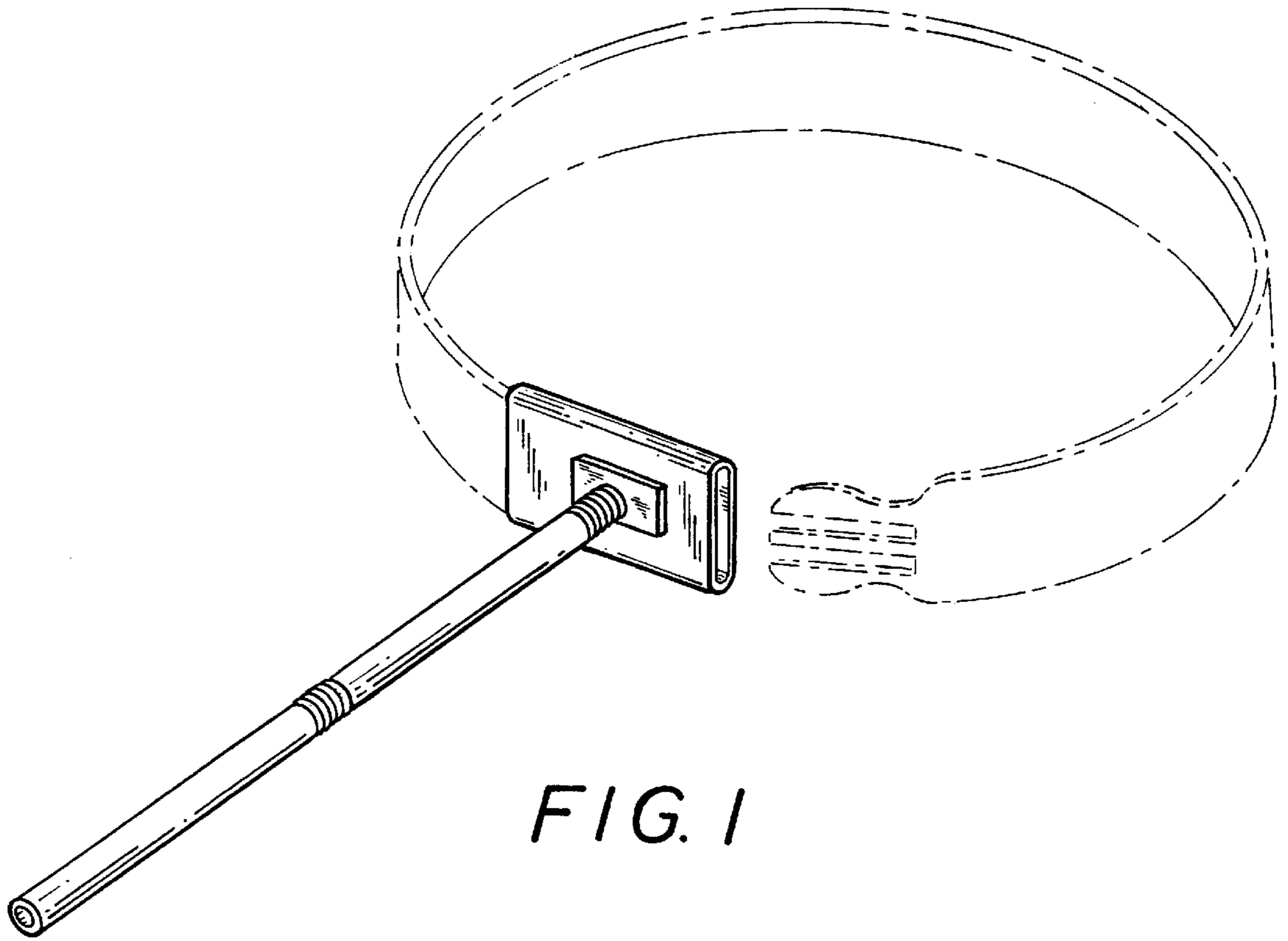
The ornamental design for a golf swing training device, as shown and described.

### DESCRIPTION

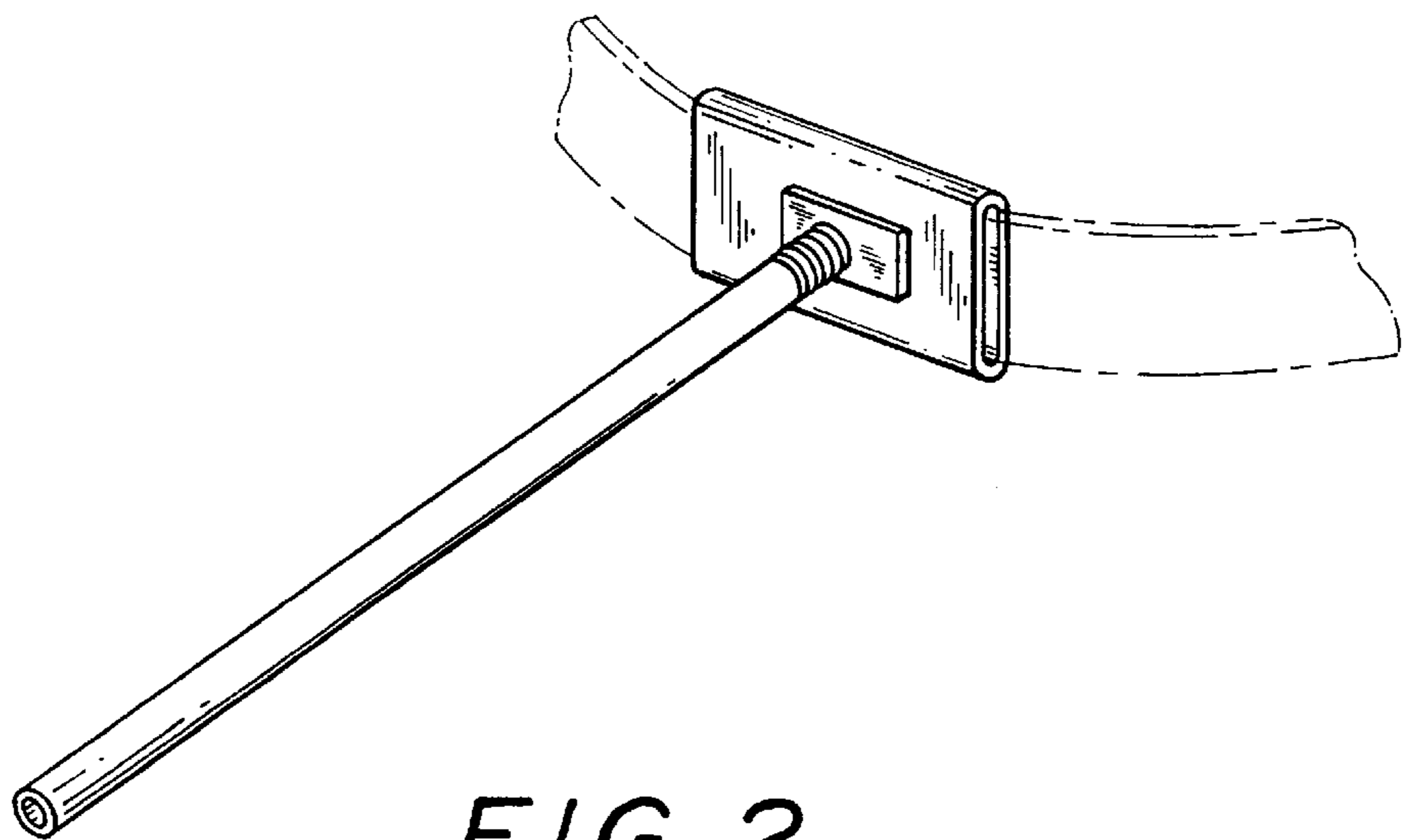
FIG. 1 is a perspective view of a golf swing training device showing my new design; and, FIG. 2 is a perspective of a second embodiment of the golf swing training device as disclosed in FIG. 1. The undisclosed rear surface is plain and unornamental. The broken line showing of a belt in FIG. 1 and a fragmented belt in FIG. 2 is for illustrative purposes only and forms no part of the claimed design.

**1 Claim, 1 Drawing Sheet**





*FIG. 1*



*FIG. 2*