



US00D404088S

United States Patent [19]

Glickman et al.

[11] Patent Number: Des. 404,088

[45] Date of Patent: ***Jan. 12, 1999

[54] TRIANGULAR PANEL FOR CONSTRUCTION TOY SET

[75] Inventors: Joel I. Glickman, Huntington Valley; Rachele Carlson, Lansdale; Mark McCormick, Hatfield, all of Pa.

[73] Assignee: Connector Set Limited Partnership, Hatfield, Pa.

[*] Notice: The term of this patent shall not extend beyond the expiration date of Pat. No. Des. 400,603.

[**] Term: 14 Years

[21] Appl. No.: 77,450

[22] Filed: Oct. 3, 1997

[51] LOC (6) Cl. 21-01

[52] U.S. Cl. D21/489; D21/505

[58] Field of Search D21/108; 446/103, 446/105, 93, 95, 108, 111-116, 120-121, 124-126, 128

[56] References Cited

U.S. PATENT DOCUMENTS

- D. 296,344 6/1988 Olsen D21/108
- D. 339,265 9/1993 Claesson D21/108

- D. 380,792 7/1997 Gabriel D21/108
- D. 389,400 1/1998 Liang D21/108
- 3,229,386 1/1966 Schott 446/120
- 3,500,606 3/1970 Wharmby 446/125
- 4,129,975 12/1978 Gabriel .
- 4,253,268 3/1981 Mayr 446/103
- 4,571,200 2/1986 Serna .
- 5,061,219 10/1991 Glickman 446/120
- 5,100,358 3/1992 Volgger 446/120
- 5,183,430 2/1993 Swann 446/111
- 5,199,919 4/1993 Glickman 446/120

Primary Examiner—Raphael Barkai
Attorney, Agent, or Firm—Schweitzer Cornman Gross & Bondell LLP

[57] CLAIM

The ornamental design for a triangular panel for construction toy set, as shown and described.

DESCRIPTION

FIG. 1 is a perspective view of a triangular panel, from the top, showing our new design; FIG. 2 is a side elevational view of the panel; and, FIG. 3 is a top plan view of the panel, the bottom being substantially identical to the top. The circular apertures shown in dotted lines form no part of the design.

1 Claim, 2 Drawing Sheets

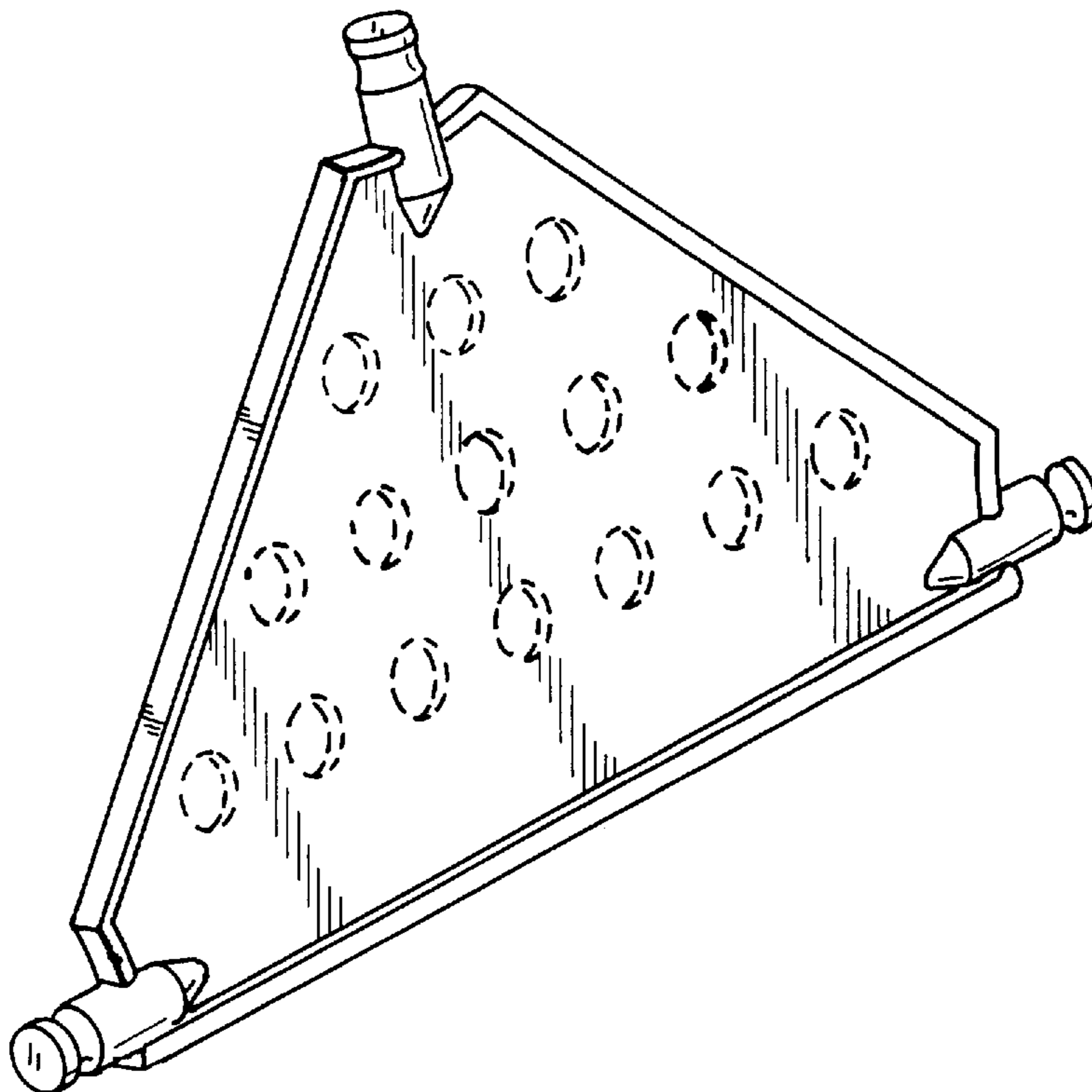


FIG. 1

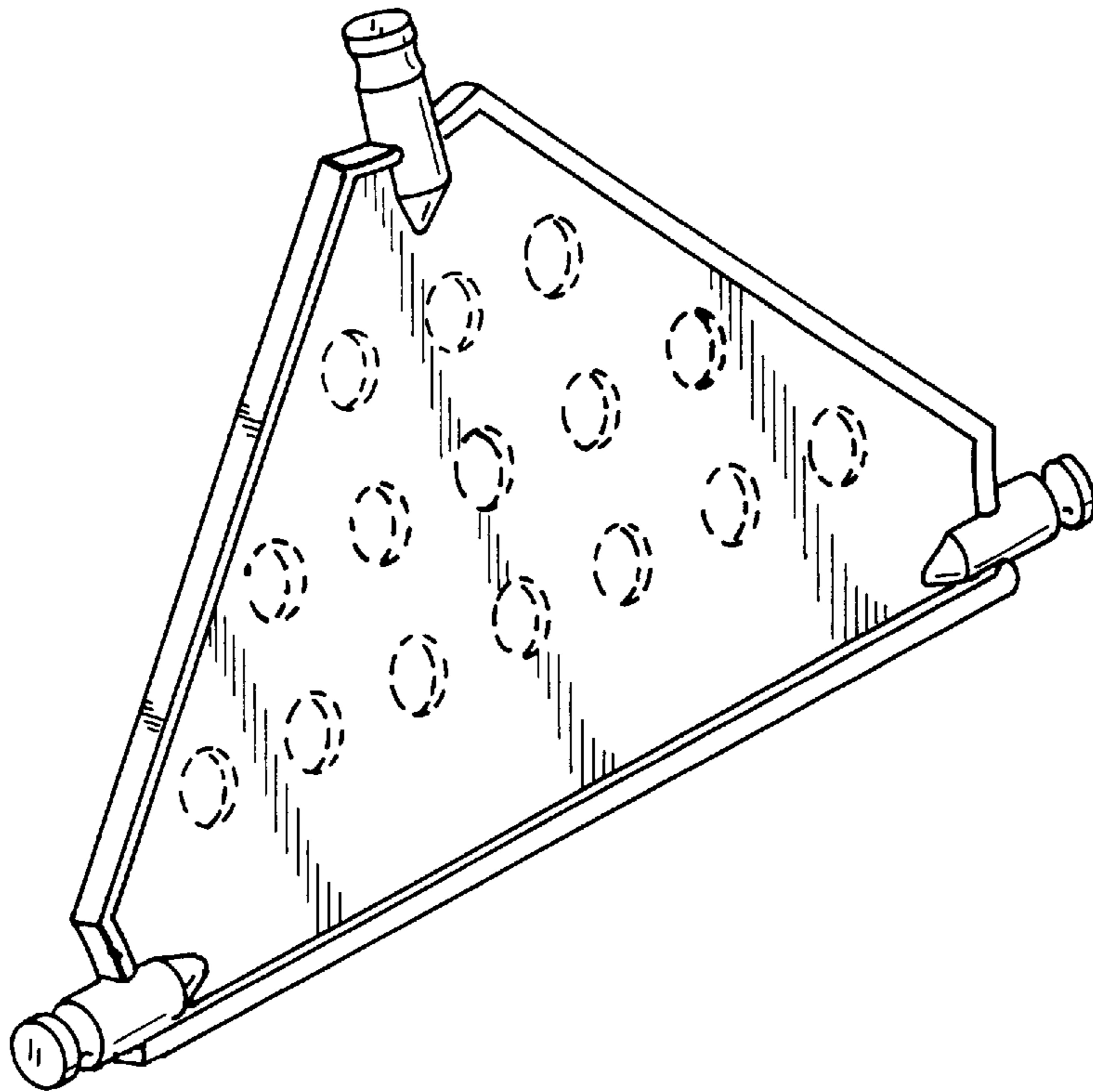


FIG. 2



FIG. 3

