



US00D404084S

United States Patent [19]

[11] **Patent Number: Des. 404,084**

Hedrick et al.

[45] **Date of Patent: **Jan. 12, 1999**

[54] **ILLUMINATED REEL COVER FOR SLOT MACHINE**

4,700,948 10/1987 Okada 273/143 R
5,560,603 10/1996 Seelig et al. 463/20
5,683,296 11/1997 Rasmussen 463/20

[75] Inventors: **Joseph R. Hedrick**, Reno; **Don Stephan**, Carson City; **Craig A. Paulsen**, Reno, all of Nev.

Primary Examiner—Sandra L. Morris
Attorney, Agent, or Firm—Sheridan Ross P.C.

[73] Assignee: **International Game Technology**, Reno, Nev.

[57] **CLAIM**

The ornamental design for an illuminated reel cover for a slot machine, as shown and described.

[**] Term: **14 Years**

DESCRIPTION

[21] Appl. No.: **74,615**

FIG. 1 is a front elevational view of the illuminated reel cover for a slot machine;
FIG. 2 is a right elevational view of the illuminated reel cover for a slot machine;
FIG. 3 is a perspective view of the illuminated reel cover for a slot machine;
FIG. 4 is a left elevational view of the illuminated reel cover for a slot machine;
FIG. 5 is a top plan view of the illuminated reel cover for a slot machine; and,
FIG. 6 is a bottom view of the illuminated reel cover for a slot machine.

[22] Filed: **Aug. 5, 1997**

[51] **LOC (6) Cl.** **21-03**

[52] **U.S. Cl.** **D21/370**

[58] **Field of Search** D20/1, 2; D21/37, D21/38, 41; 273/138.1, 139, 142 R, 143 R, 145 A; 463/20

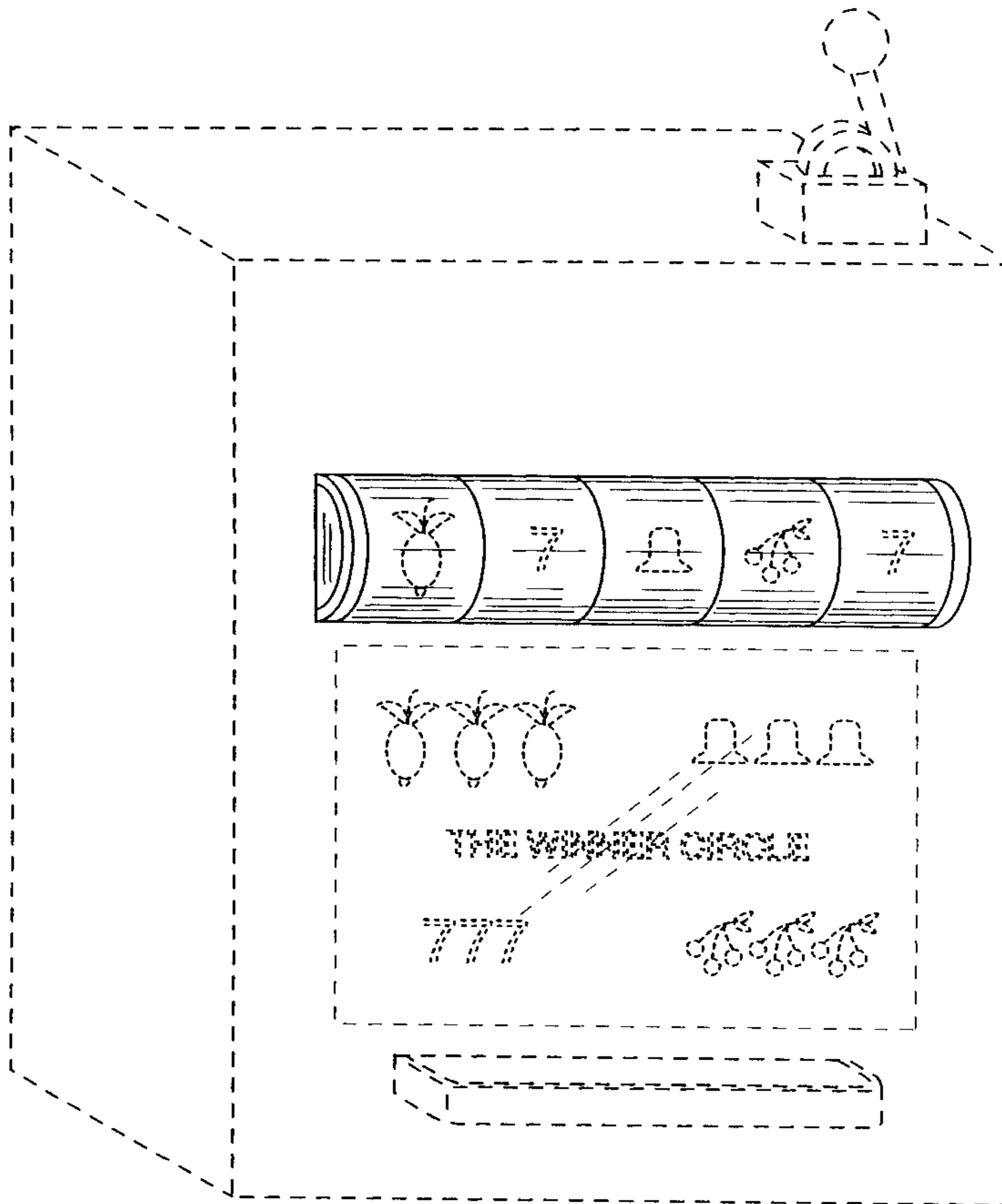
The dotted line showing of the slot machine and indicia are for illustrative purposes only, and forms no part of the claimed design.

[56] **References Cited**

U.S. PATENT DOCUMENTS

D. 243,375	2/1977	DiOrlo	D20/2
D. 260,769	9/1981	Thomas	D21/38
D. 264,485	5/1982	Kitchen	D21/38
D. 340,954	11/1993	Stefan	D21/38
3,759,525	9/1973	Davis	273/143 R
4,570,934	2/1986	Smyth	273/143 R

1 Claim, 4 Drawing Sheets



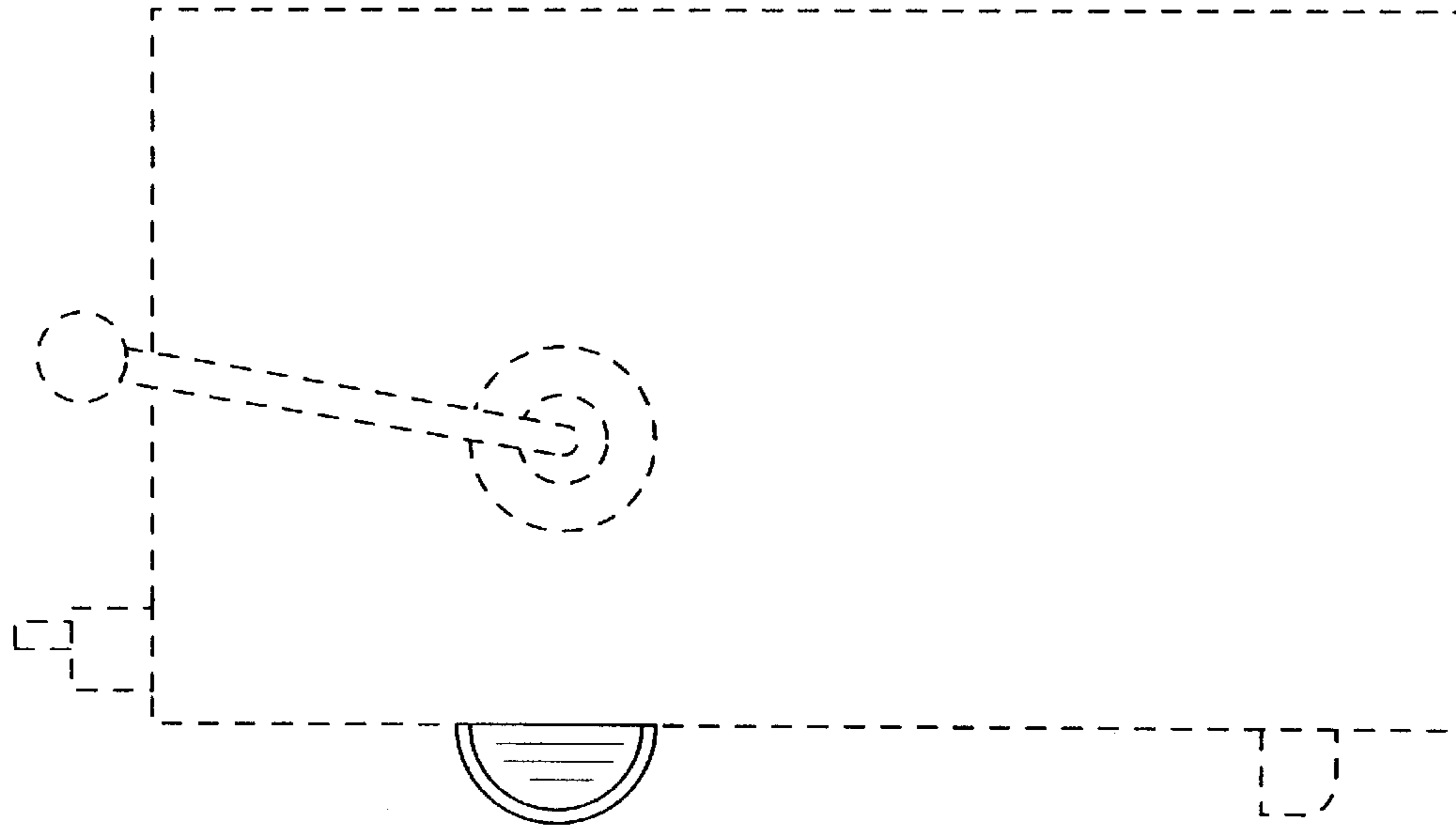


Fig. 1

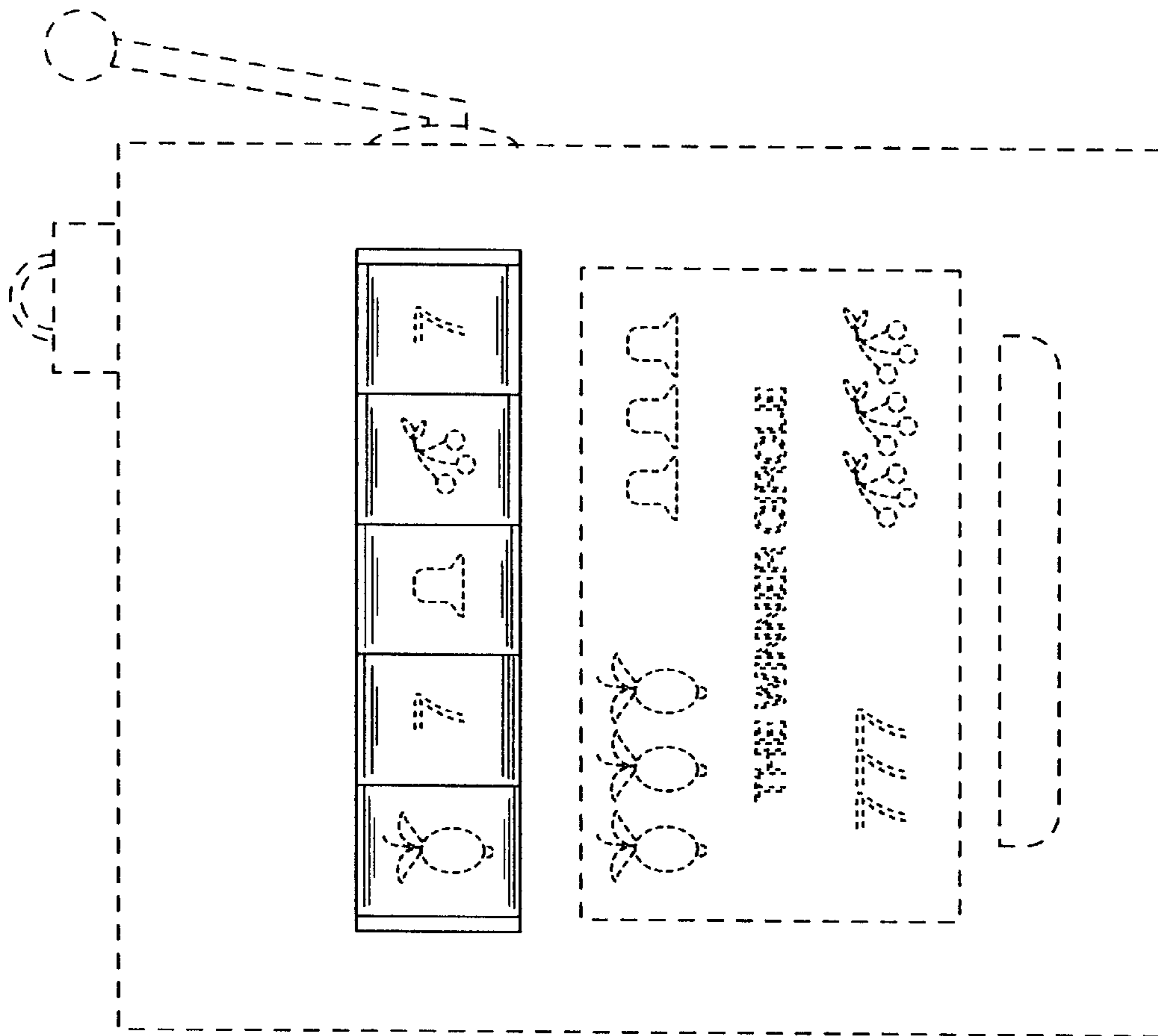


Fig. 2

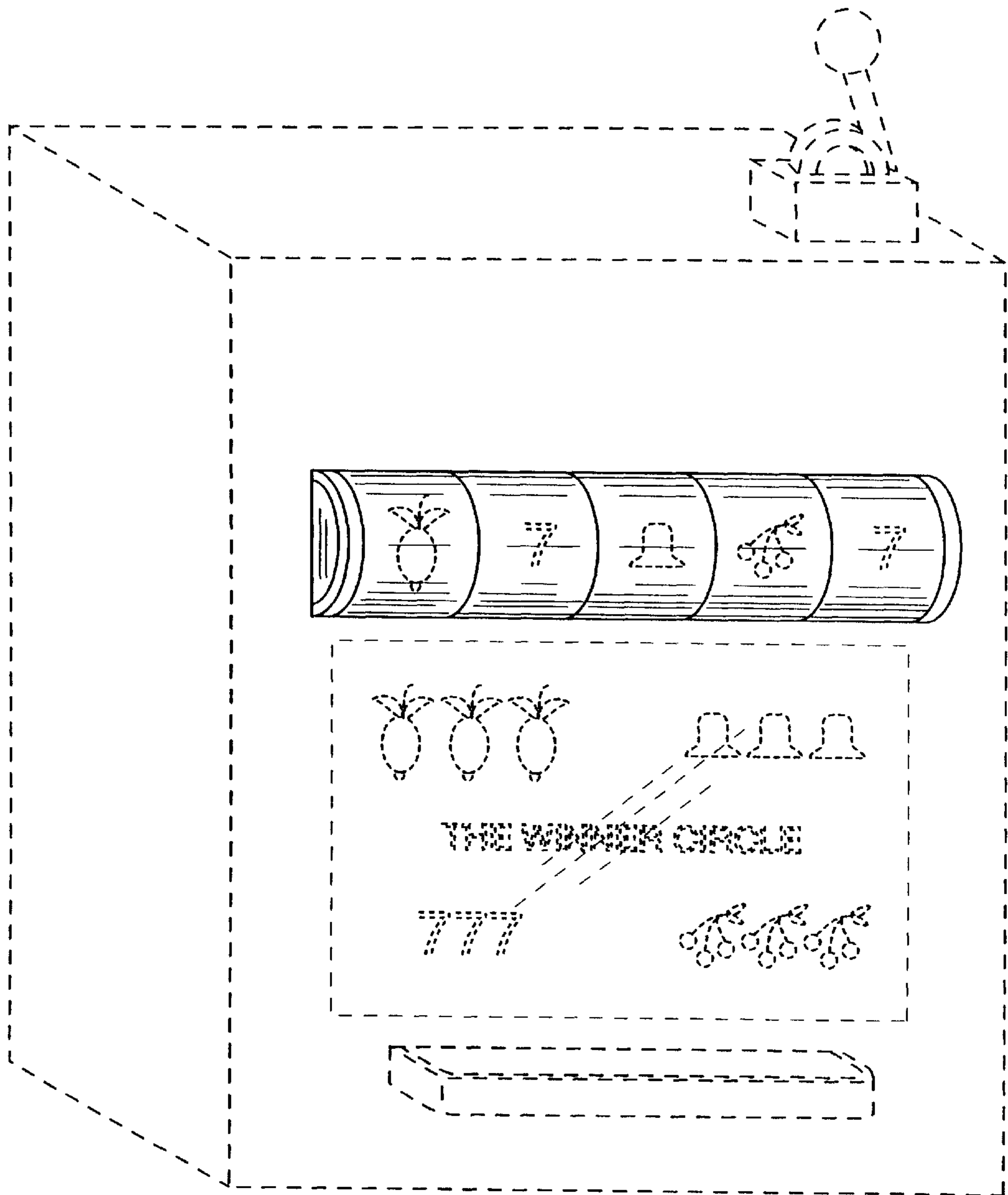


Fig. 3

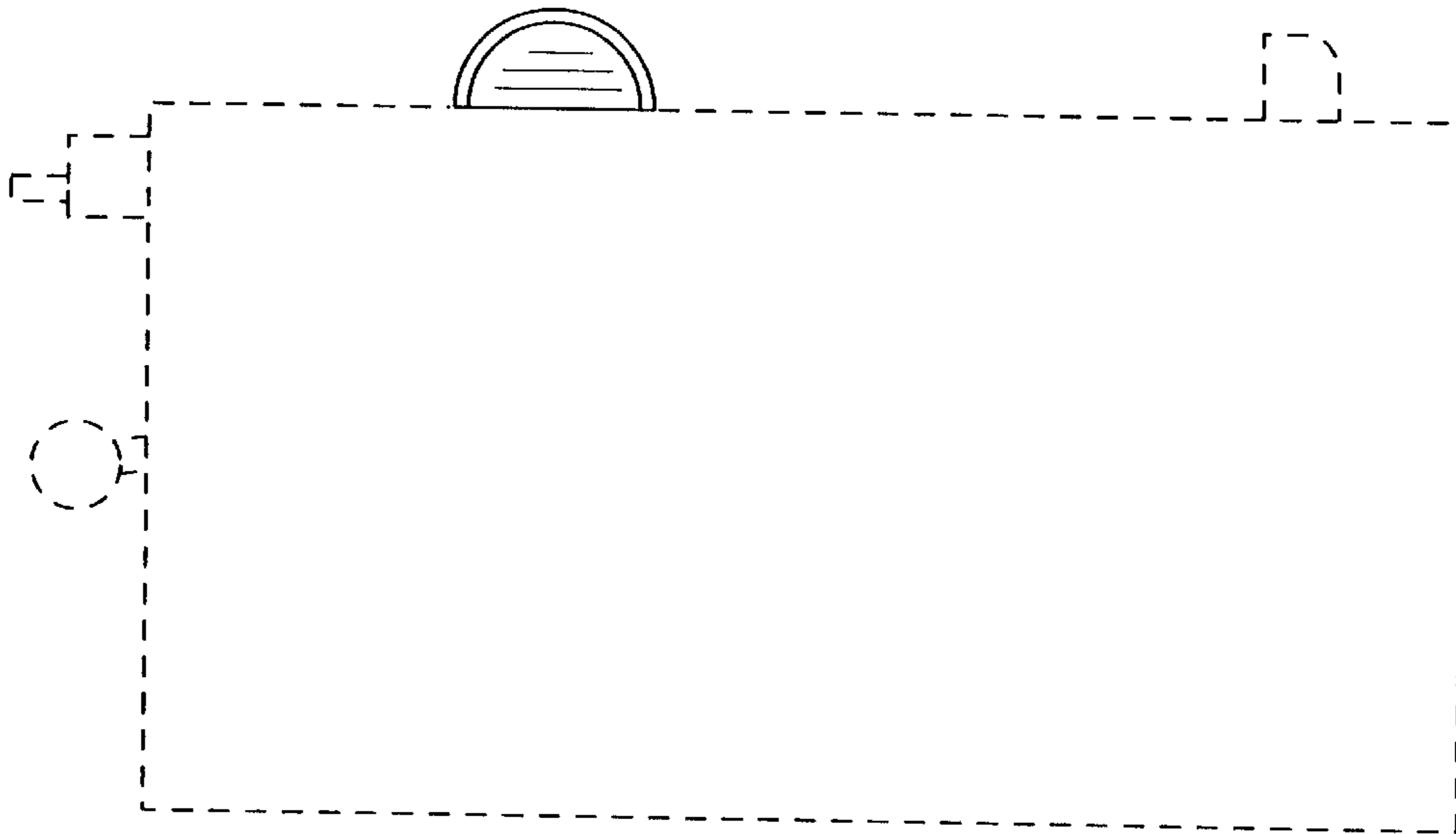


Fig. 4

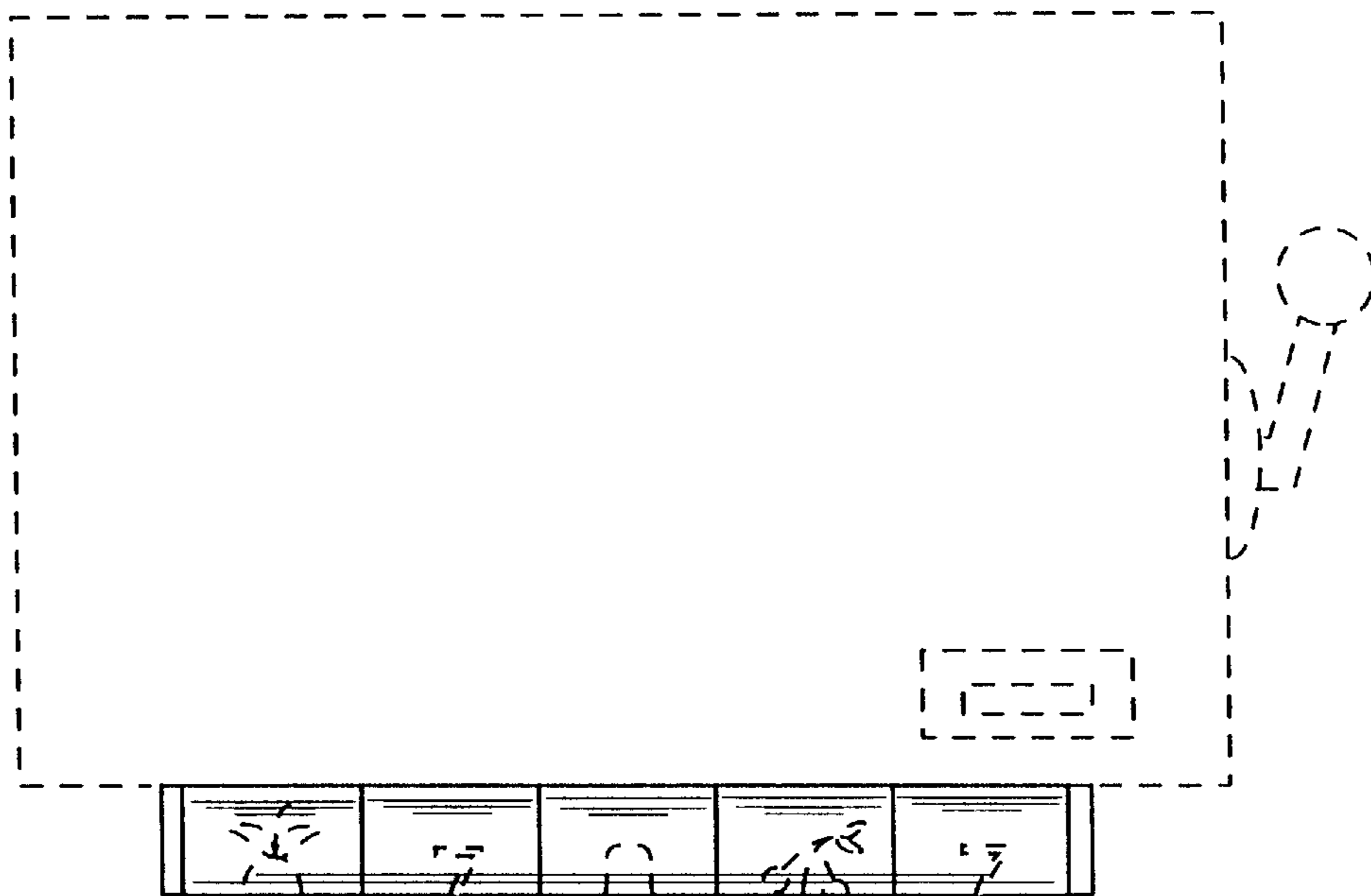


Fig. 5

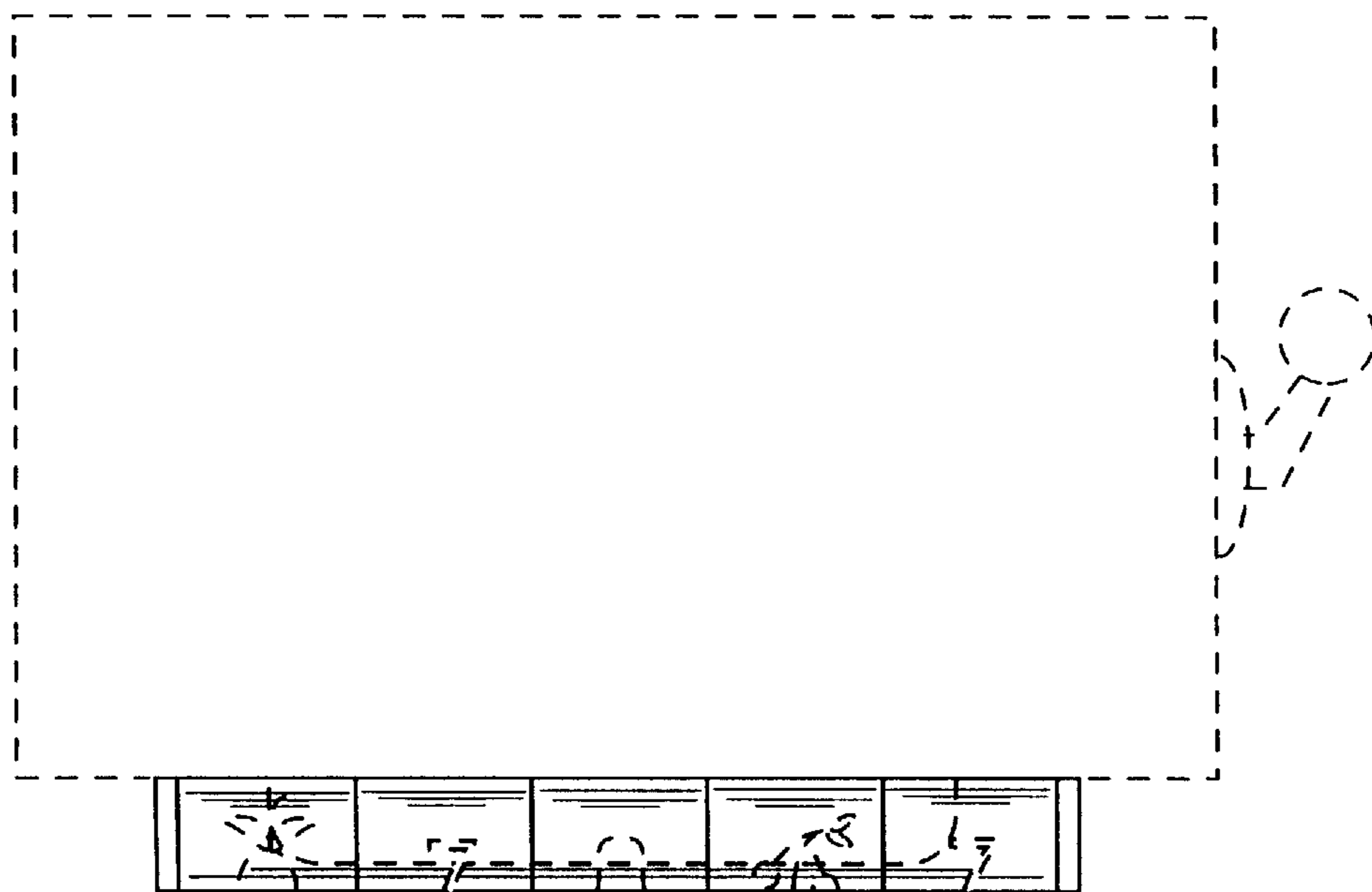


Fig. 6