



US00D404082S

United States Patent [19] Cross

[11] **Patent Number: Des. 404,082**

[45] **Date of Patent: **Jan. 12, 1999**

[54] **BOARD GAME**

5,413,352 5/1995 Persidsky et al. 273/282.1

[76] Inventor: **Jackson R. Cross**, 9534 Winner Rd.,
Independence, Mo. 64051

Primary Examiner—Sandra L. Morris
Attorney, Agent, or Firm—Shook, Hardy & Bacon LLP

[**] Term: **14 Years**

[57] **CLAIM**

[21] Appl. No.: **72,394**

The ornamental design for a board game, as shown and described.

[22] Filed: **Jun. 16, 1997**

DESCRIPTION

[51] **LOC (6) Cl.** **21-01**

FIG. 1 is a perspective view of a board game showing my new design;

[52] **U.S. Cl.** **D21/338; D21/392**

FIG. 2 is a front elevational view thereof;

[58] **Field of Search** D21/14-36, 392;
273/157 R, 236-286

FIG. 3 is a top plan view thereof;

FIG. 4 is a side elevational view thereof;

FIG. 5 is a rear elevational view thereof; and,

FIG. 6 is a bottom plan view thereof.

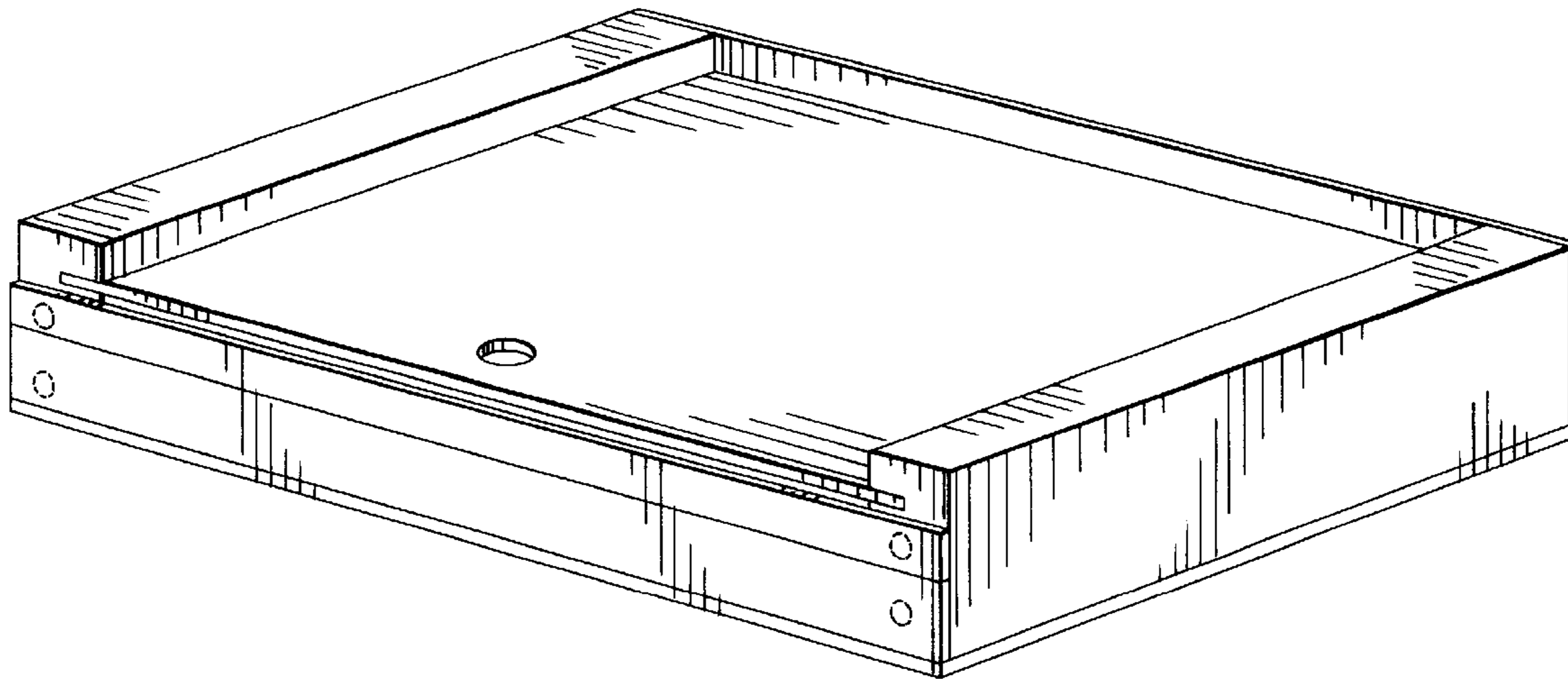
The broken lines are for illustrative purposes only, and forms no part of the claimed design.

[56] **References Cited**

U.S. PATENT DOCUMENTS

D. 356,608	3/1995	Poon	D21/34
1,987,496	1/1935	Springborn	273/157 R
3,438,141	4/1969	Kirksey	273/157 R
4,154,339	5/1979	Dutra	273/157 R

1 Claim, 2 Drawing Sheets



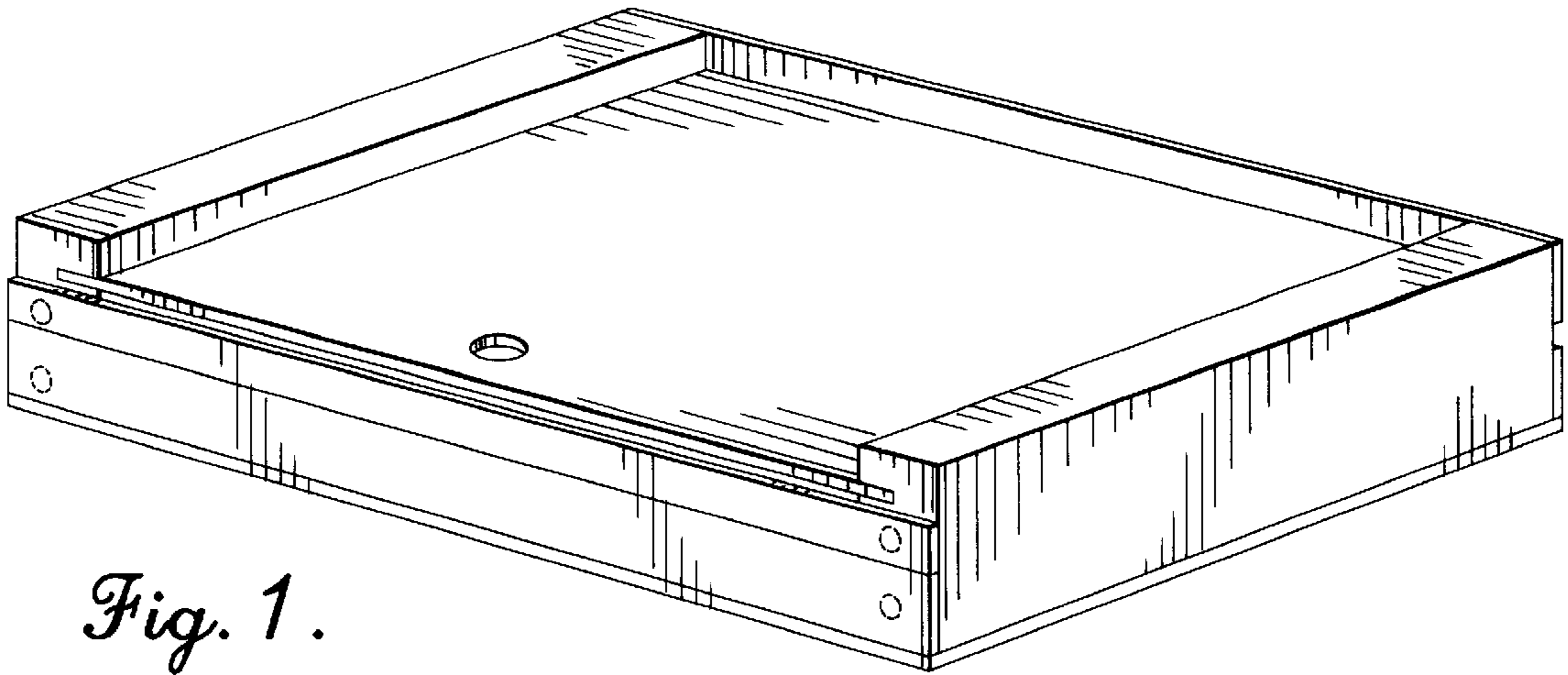


Fig. 1.

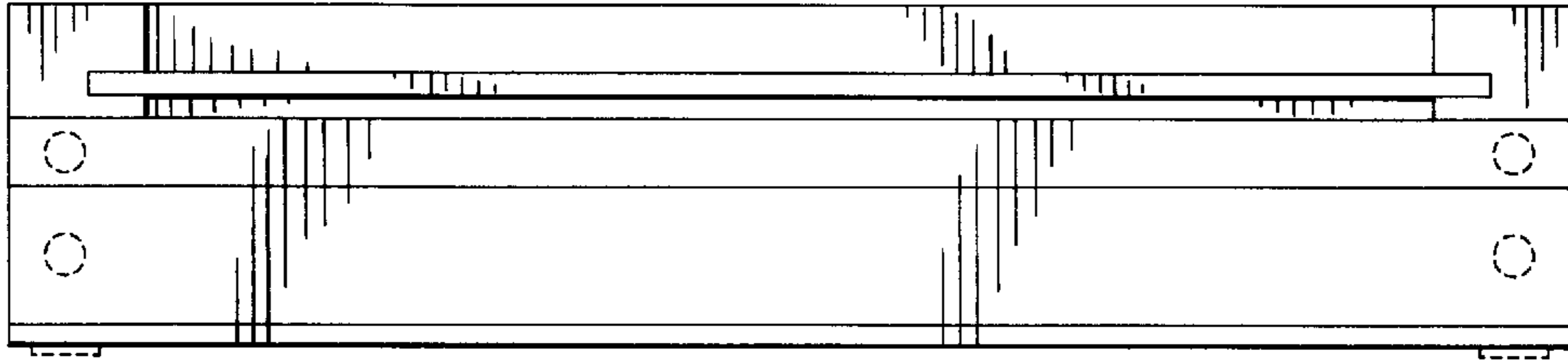


Fig. 2.

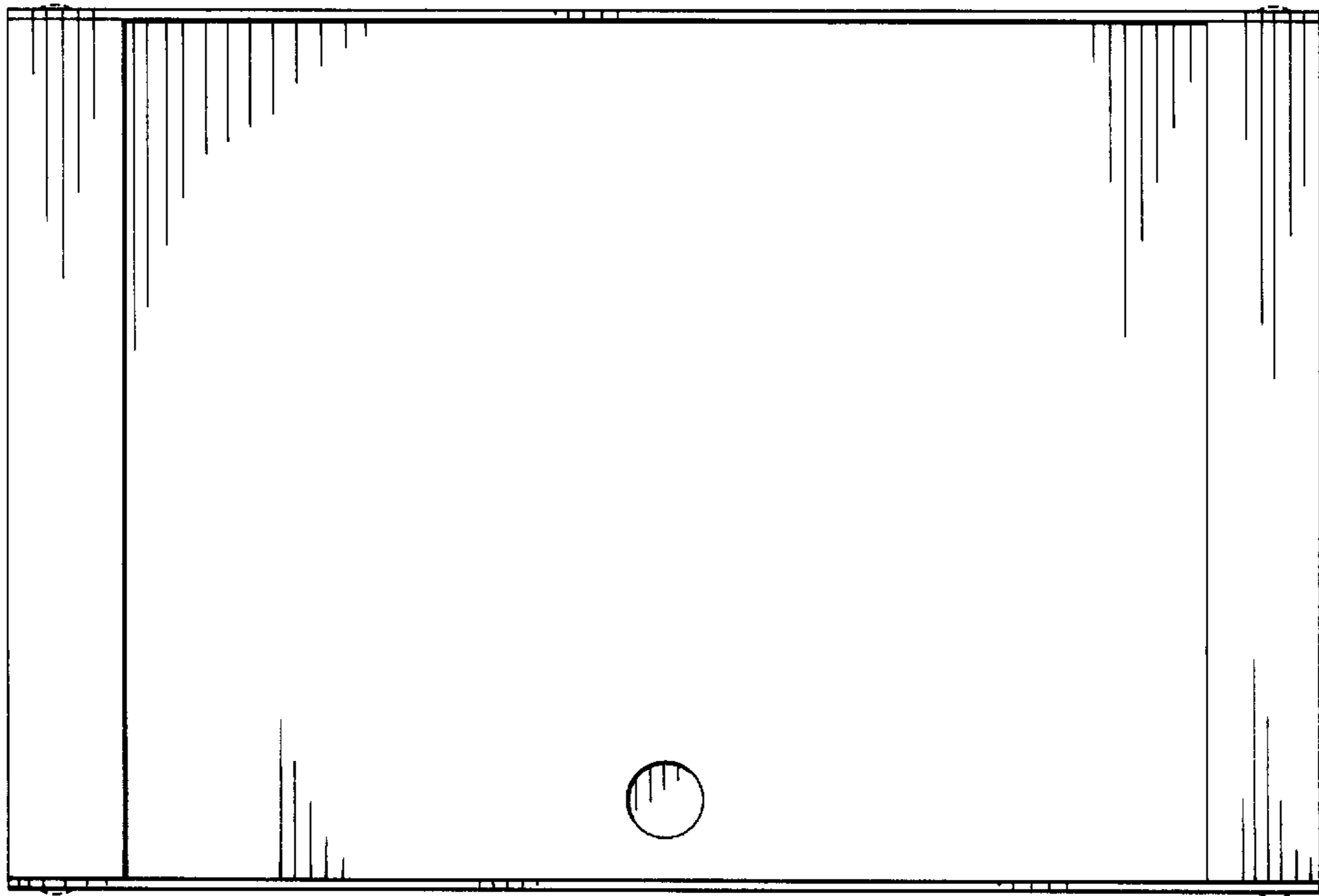


Fig. 3.

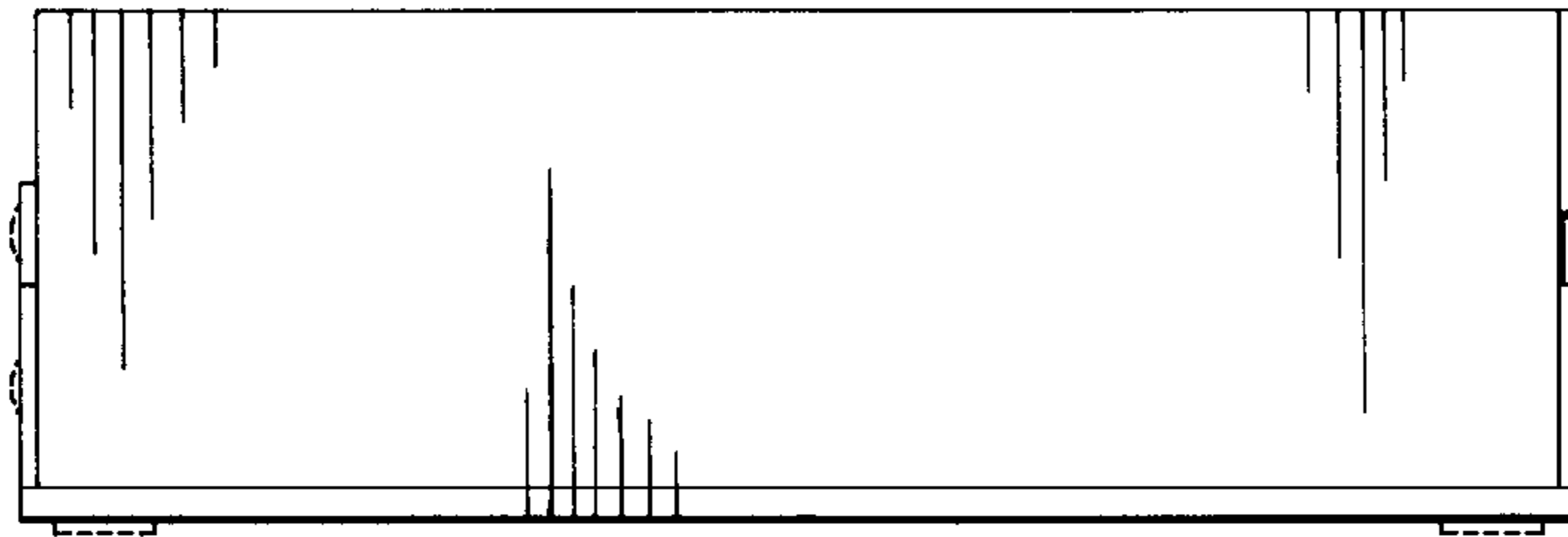


Fig. 4.

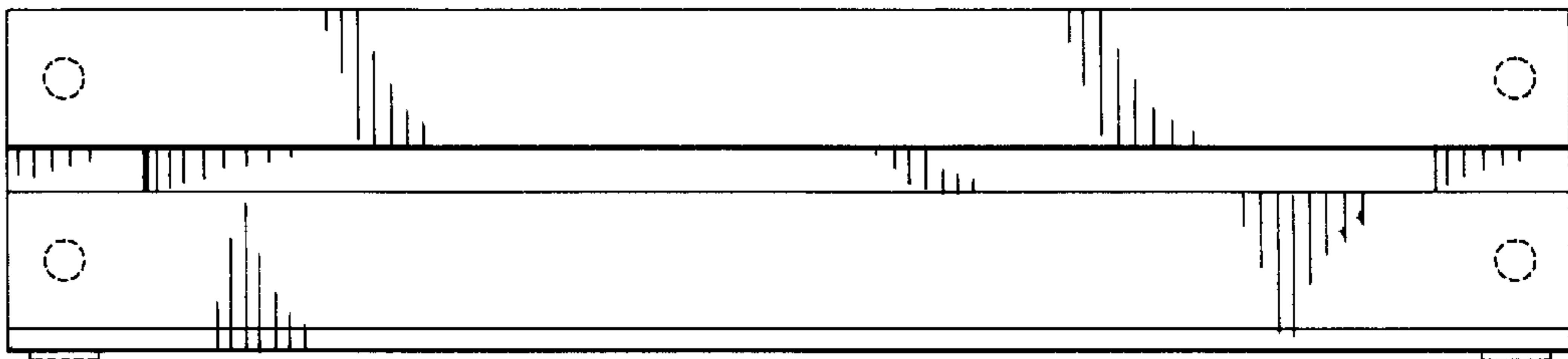


Fig. 5.

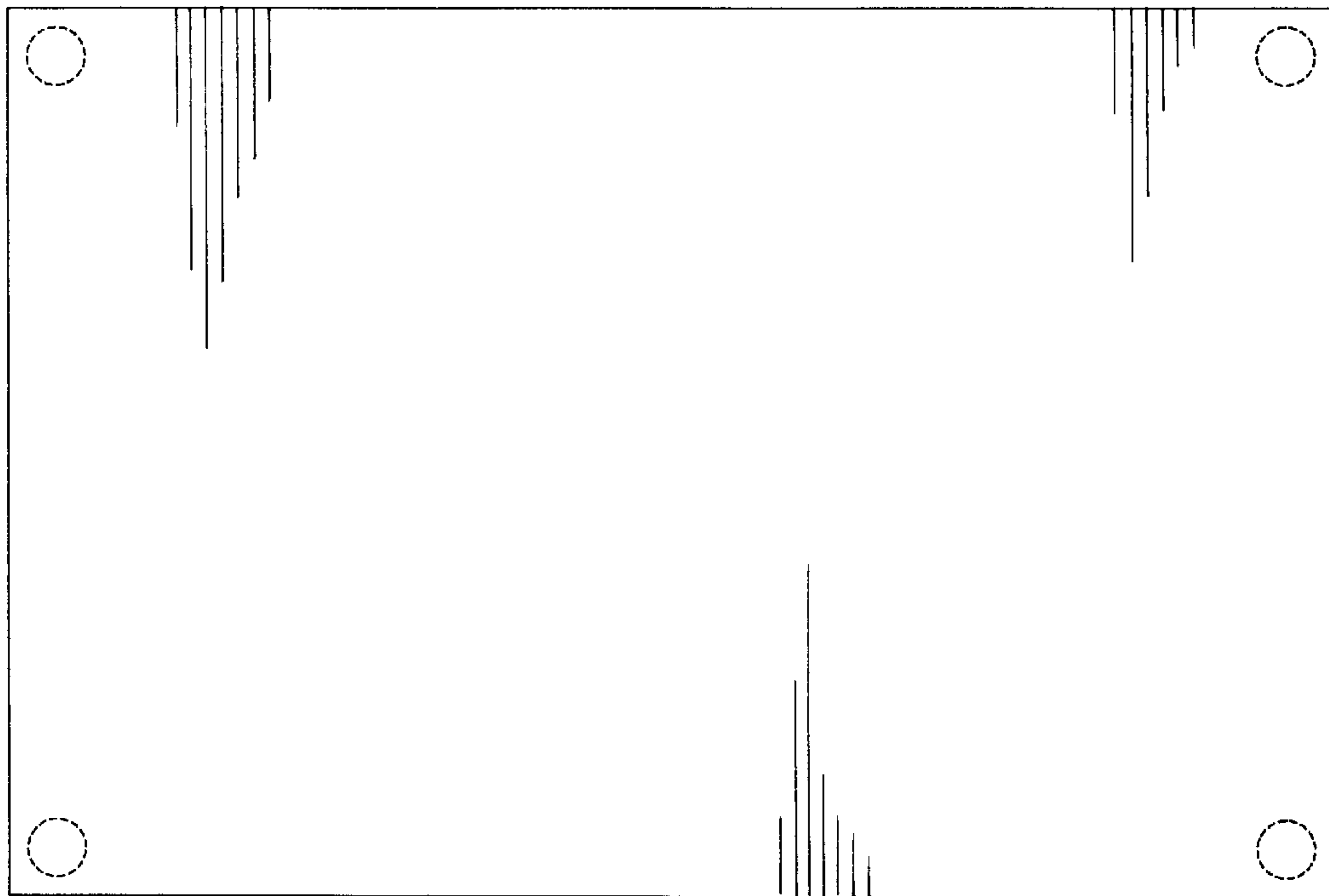


Fig. 6.