



US00D404081S

United States Patent [19]
Ota et al.

[11] **Patent Number: Des. 404,081**
[45] **Date of Patent: **Jan. 12, 1999**

[54] **CASSETTE FOR A GAME MACHINE**

OTHER PUBLICATIONS

[75] Inventors: **Masahiko Ota, Uji; Kenichi Sugino,**
Ibaraki, both of Japan

Nintendo Games, Oct. 1996.

[73] Assignee: **Nintendo Co., Ltd.,** Japan

Primary Examiner—Prabhakar G. Deshmukh
Attorney, Agent, or Firm—Nixon & Vanderhye P.C.

[**] Term: **14 Years**

[57] **CLAIM**

[21] Appl. No.: **73,621**

The ornamental design for a cassette for a game machine, as shown and described.

[22] Filed: **Jul. 11, 1997**

DESCRIPTION

[51] **LOC (6) Cl.** **21-01**

[52] **U.S. Cl.** **D21/332**

[58] **Field of Search** D21/300, 324,
D21/332; 273/148 B; 463/1, 29-35, 43-47;
D14/121, 114, 124

FIG. 1 is a front elevation view of the cassette for a game machine in accordance with a first embodiment of our new design;

FIG. 2 is a top plan view thereof;

FIG. 3 is a bottom plan view thereof;

FIG. 4 is a left side view thereof, the right side view being a mirror image thereof;

FIG. 5 is a rear elevation view thereof;

FIG. 6 is a perspective view thereof;

FIG. 7 is a front elevation view of a cassette for a game machine in accordance with a second embodiment of our new design;

FIG. 8 is a top plan view thereof;

FIG. 9 is a bottom plan view thereof;

FIG. 10 is a left side view thereof, the right side view being a mirror image thereof;

FIG. 11 is a rear elevation view thereof; and,

FIG. 12 is a perspective view thereof.

[56] **References Cited**

U.S. PATENT DOCUMENTS

D. 260,515	9/1981	Welch et al. .	
D. 330,370	10/1992	Tseng	D14/121 X
D. 333,686	3/1993	Barr et al.	D21/332 X
D. 350,353	9/1994	Schulman .	
D. 350,992	9/1994	Barr	D21/332
D. 362,692	9/1995	Rissman et al.	D21/332
D. 362,846	10/1995	Inoue et al.	D14/121
D. 375,090	10/1996	Lambert et al. .	
4,095,791	6/1978	Smith et al.	463/46 X
4,149,027	4/1979	Asher et al.	463/44
4,865,321	9/1989	Nakagawa et al.	463/44 X
5,362,068	11/1994	Liu	463/44
5,653,638	8/1997	Nagata	463/44

1 Claim, 6 Drawing Sheets

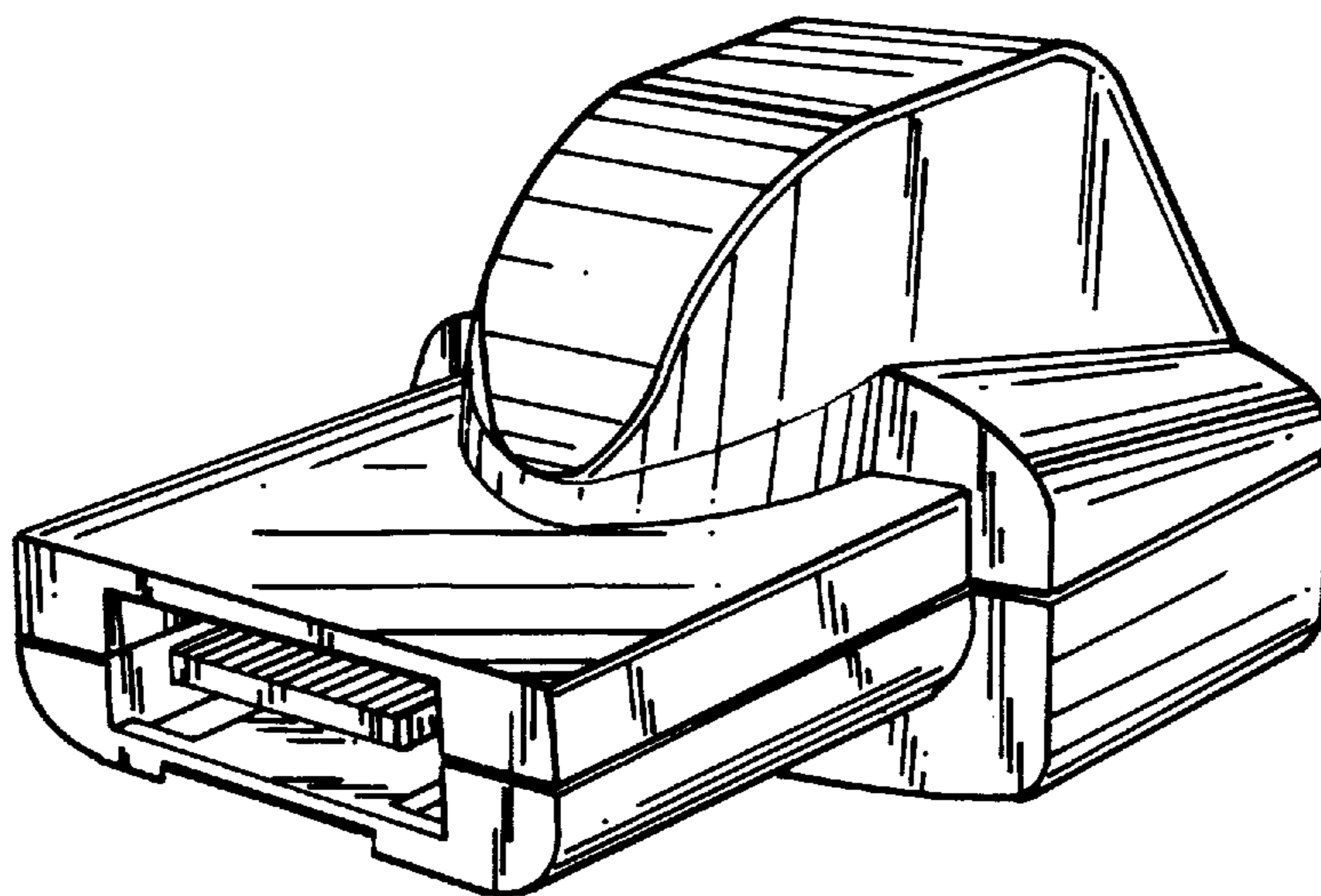


Fig. 1

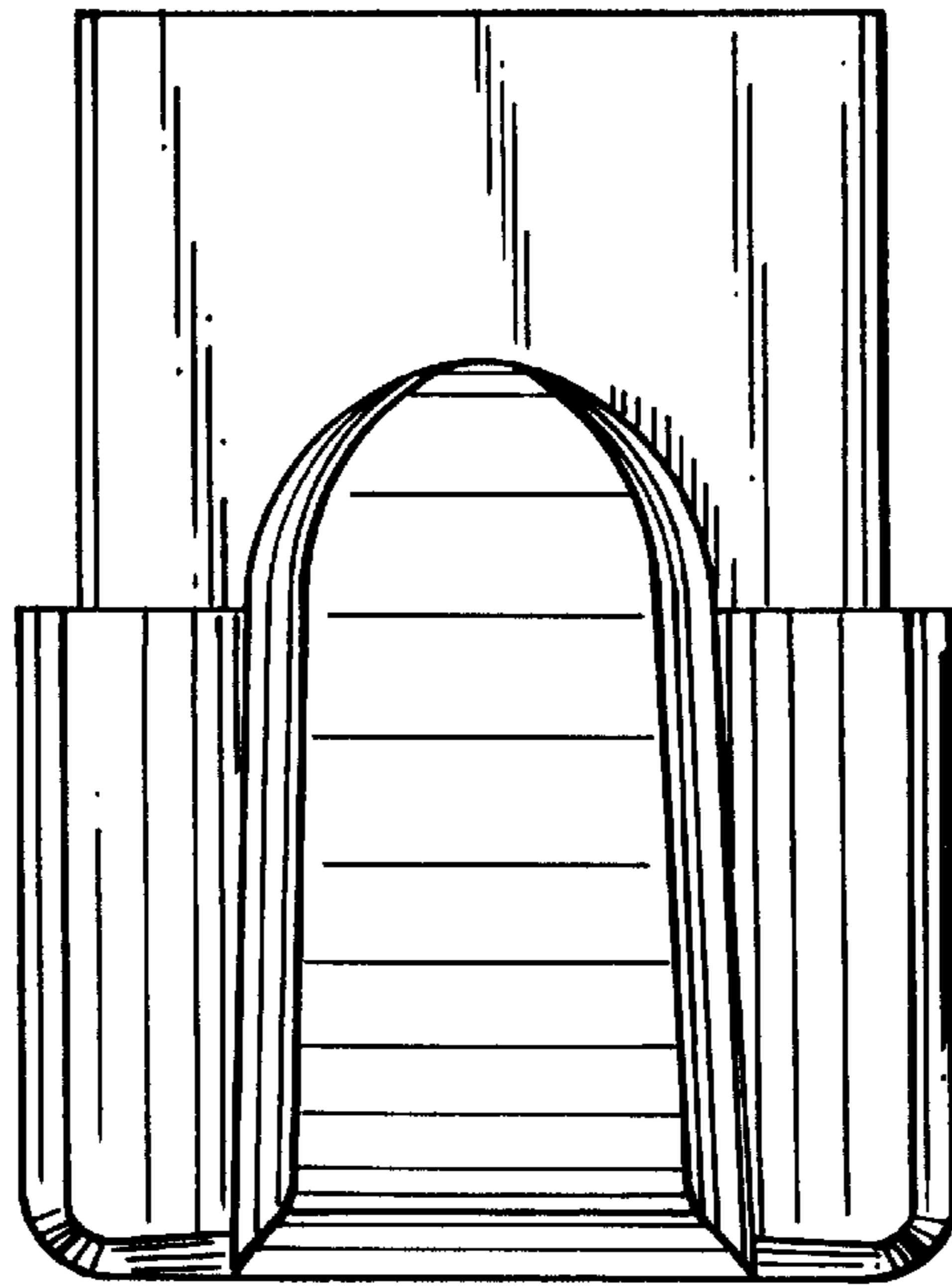


Fig. 2

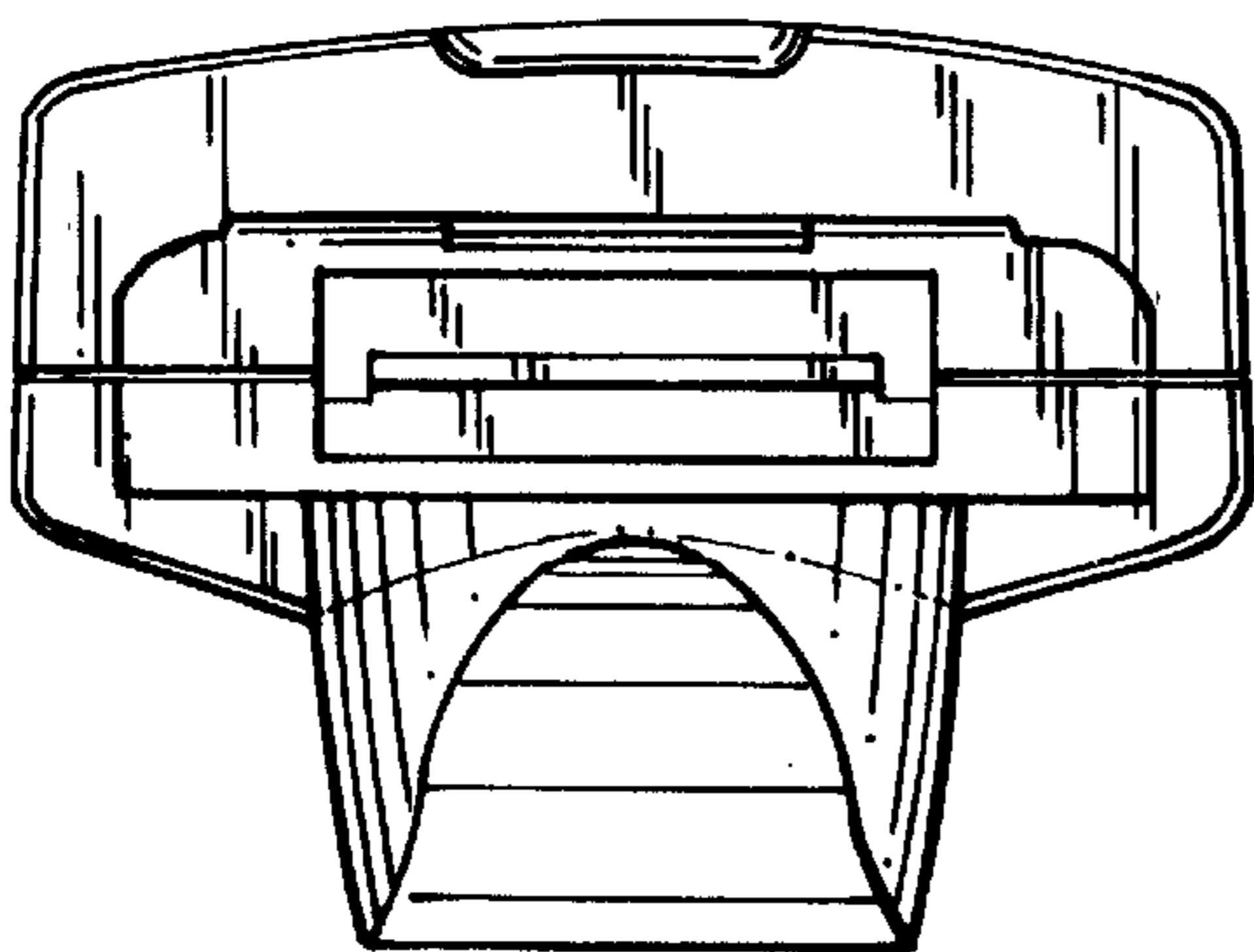
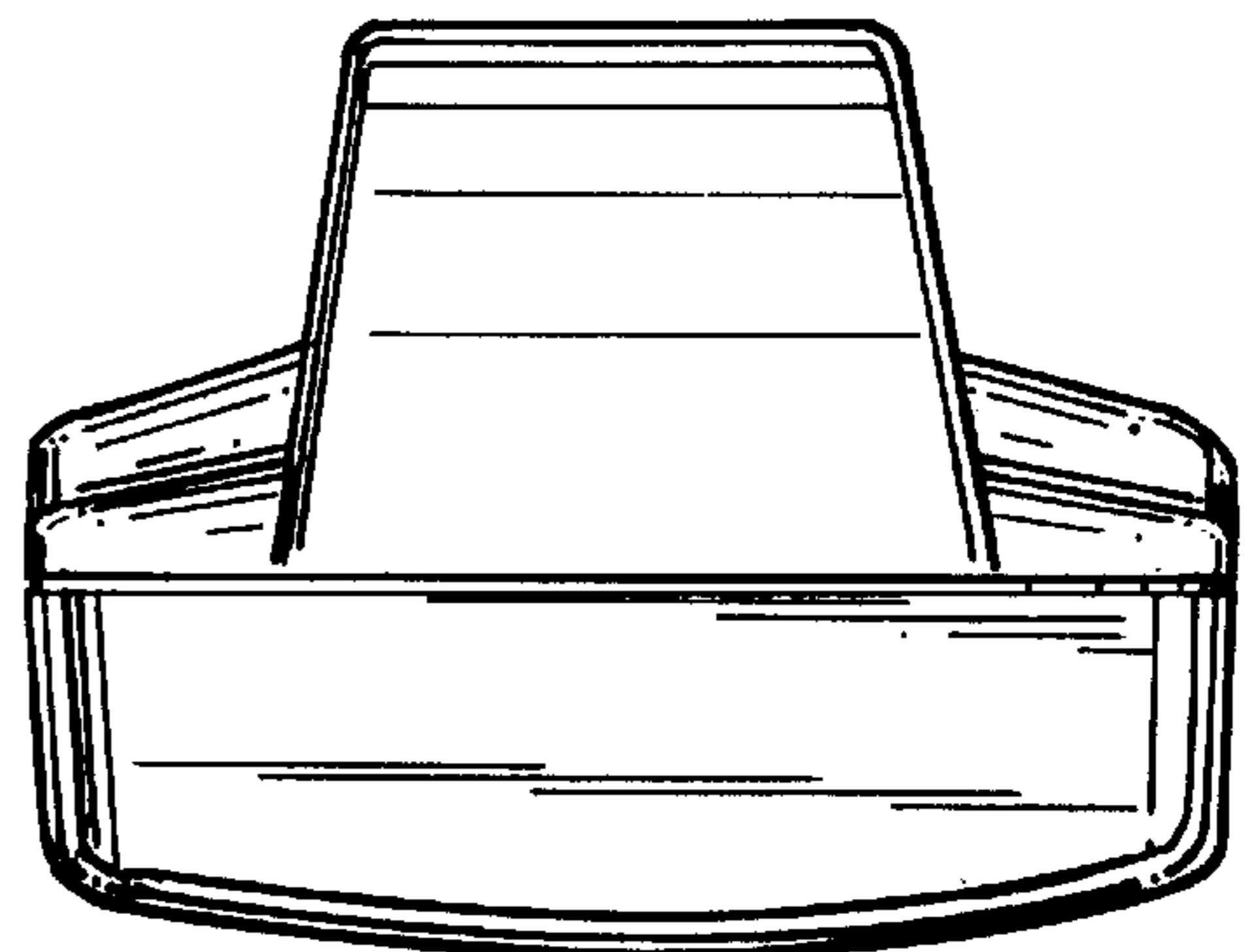


Fig. 3



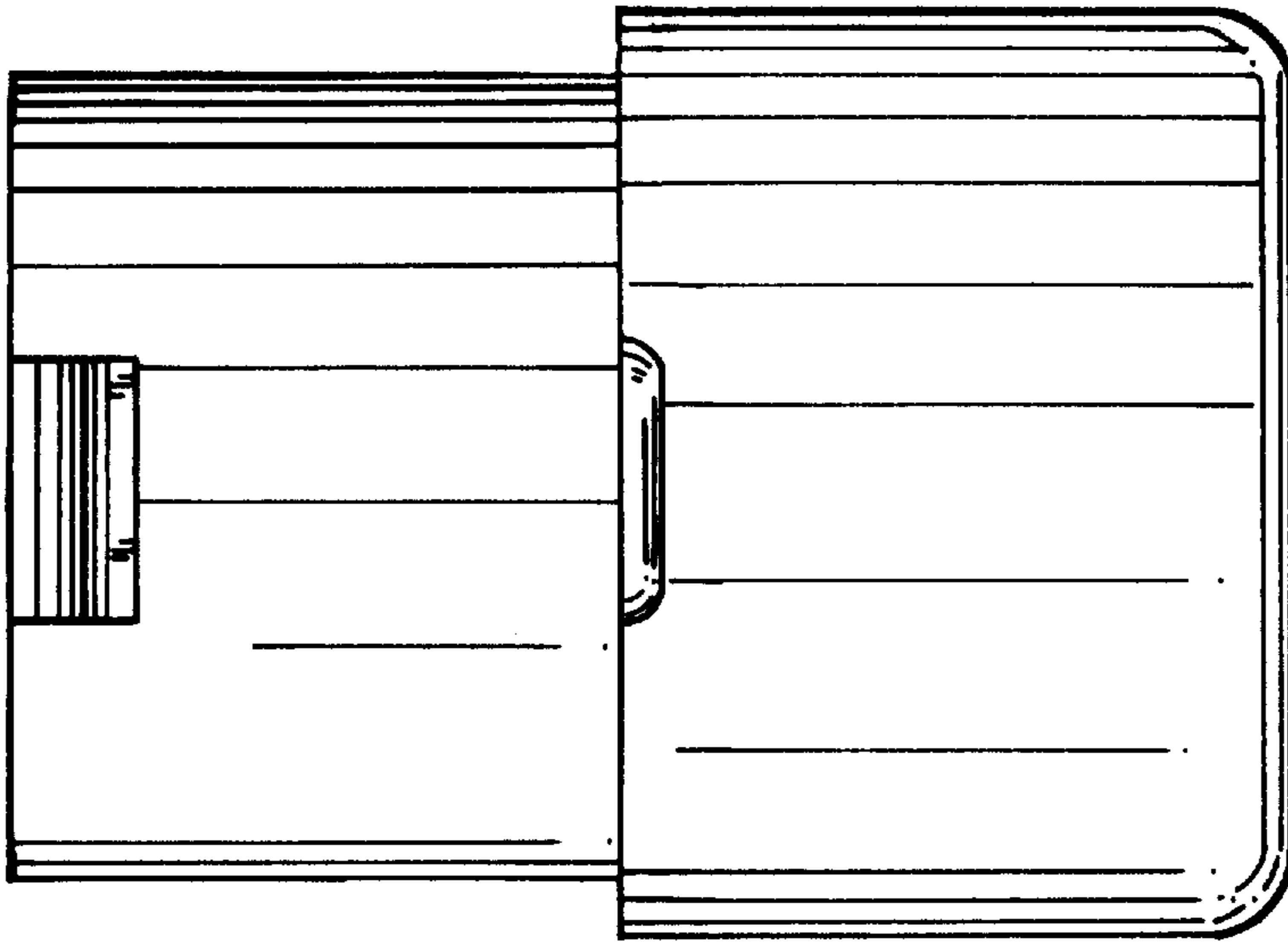


Fig. 5

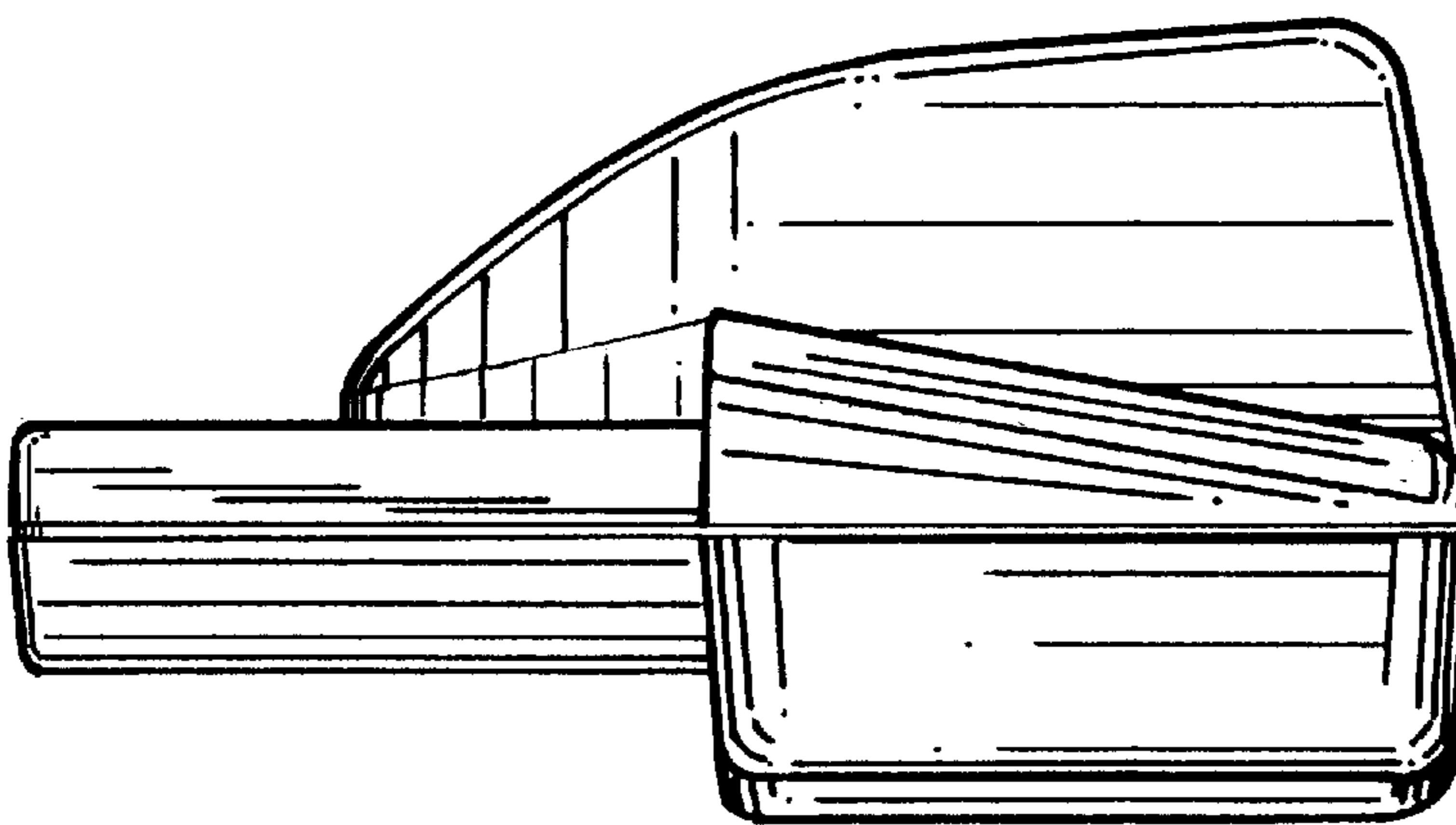


Fig. 4

Fig. 6

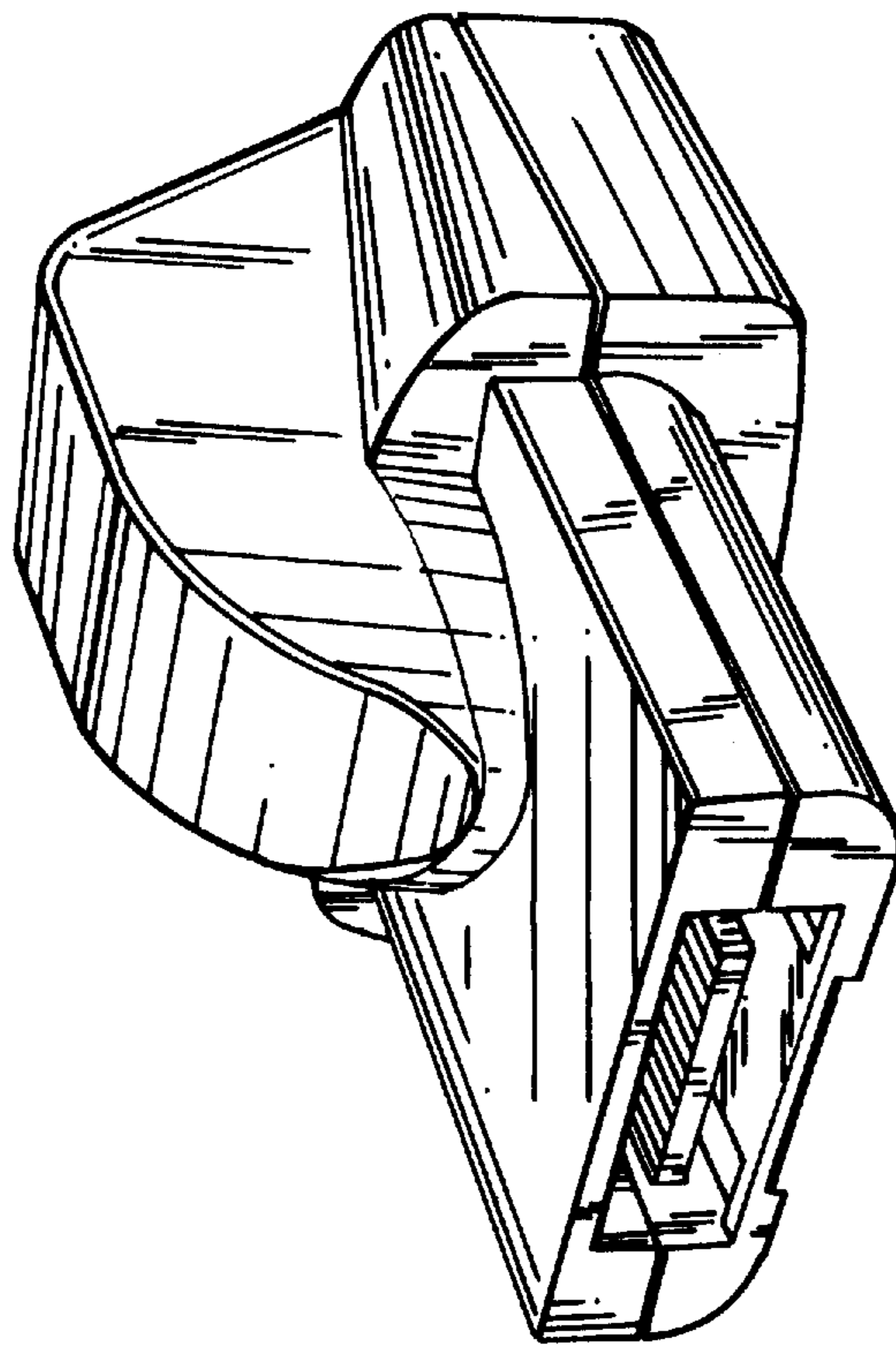


Fig. 7

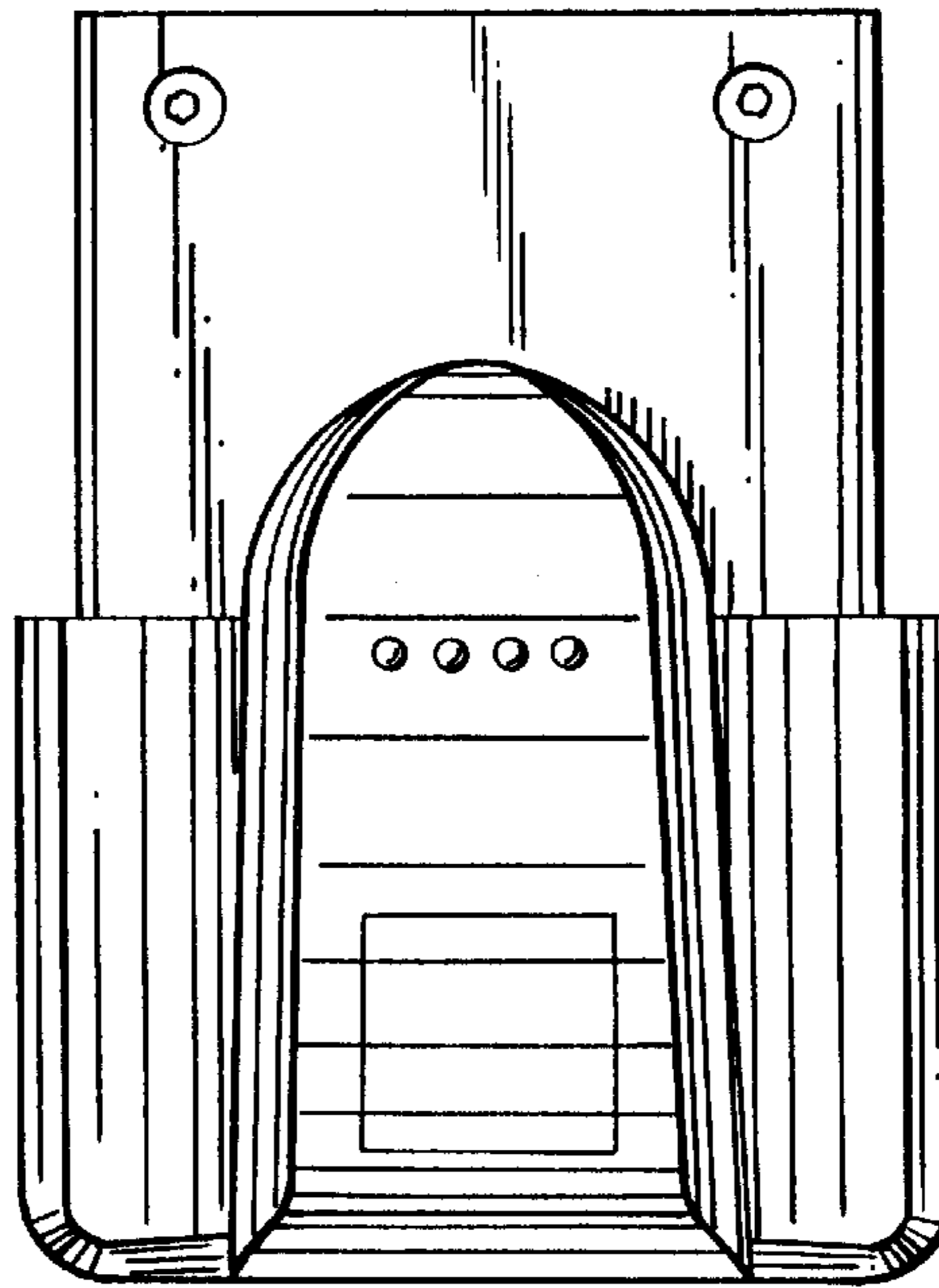


Fig. 8

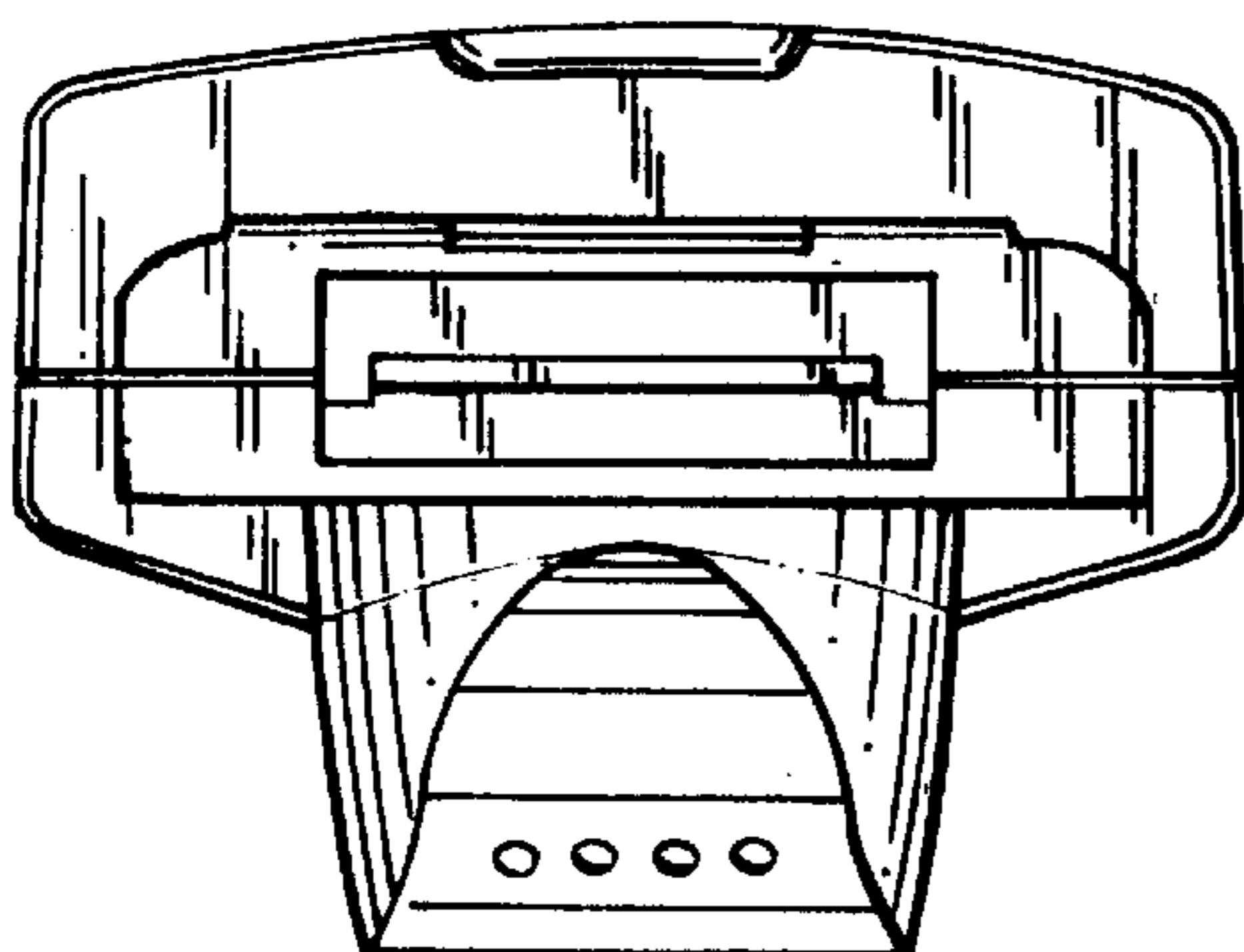
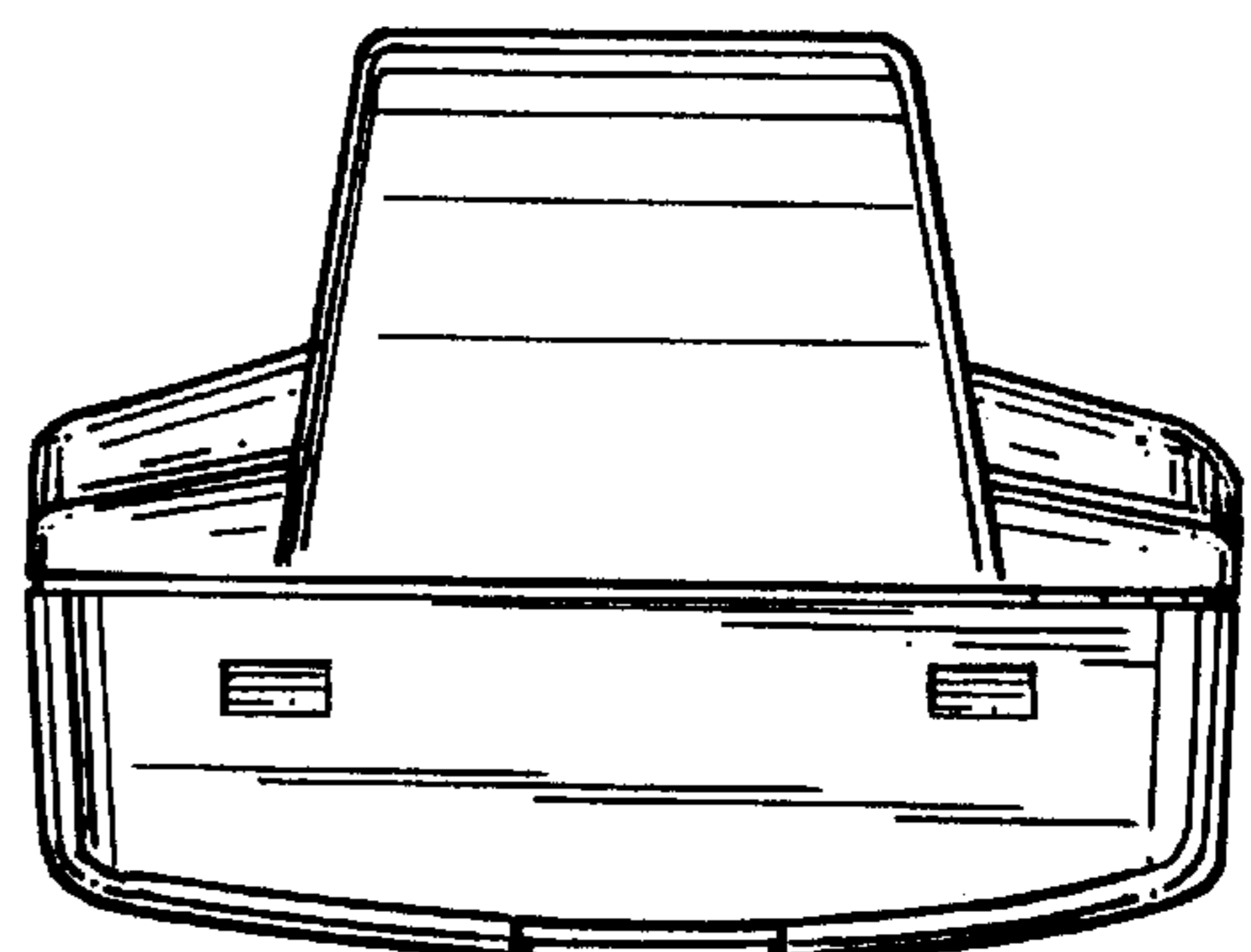


Fig. 9



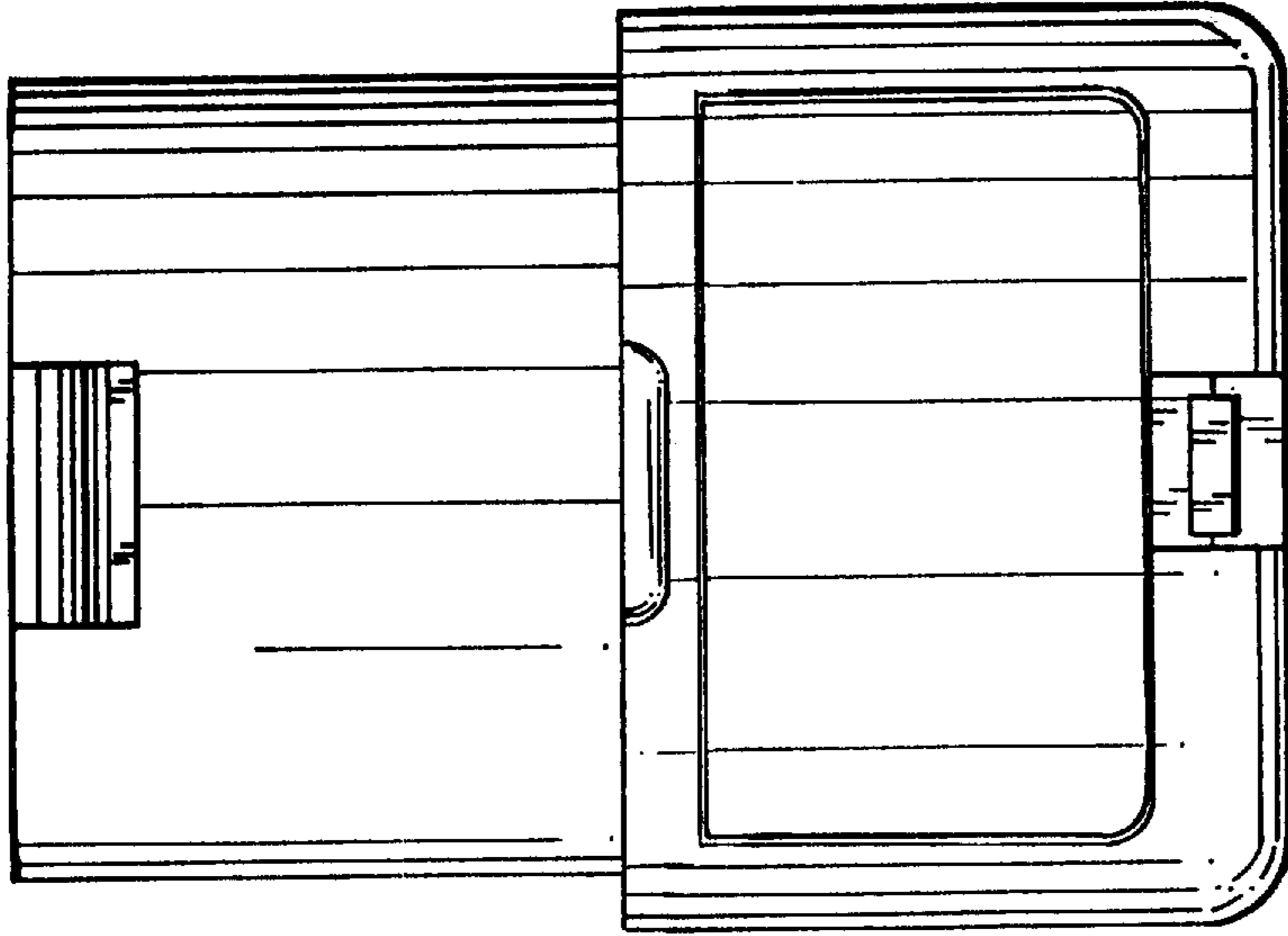


Fig. 11

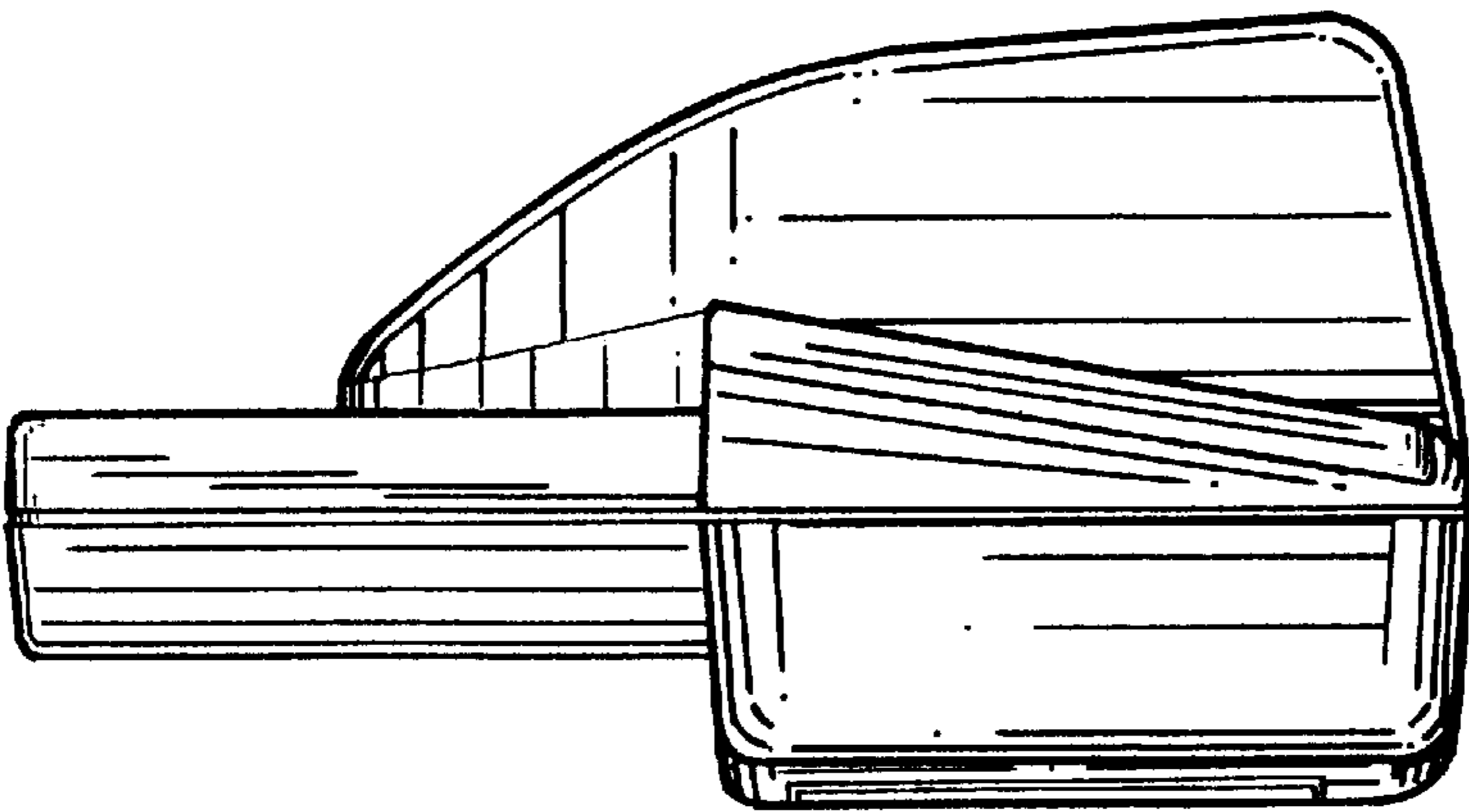


Fig. 10

Fig. 12

