



US00D404080S

# United States Patent [19] Parker

[11] **Patent Number: Des. 404,080**

[45] **Date of Patent: \*\*Jan. 12, 1999**

[54] **TOSSING GAME**

[76] Inventor: **Newton A. Parker**, 67 Concord Pl.,  
Lafayette, N.J. 07848

[\*\*] Term: **14 Years**

[21] Appl. No.: **37,743**

[22] Filed: **Apr. 17, 1995**

[51] **LOC (6) Cl.** ..... **21-01**

[52] **U.S. Cl.** ..... **D21/302**

[58] **Field of Search** ..... D21/1, 5, 6, 11;  
273/398-402, 407, 415, 427, 348, 317,  
181 R, 184 R, 185 R, 187.1, 85 E, 85 G,  
327, 339, 343, 371, 378, 379

[56] **References Cited**

### U.S. PATENT DOCUMENTS

D. 341,382 11/1993 Deming et al. .... D21/5

887,636	5/1908	Henderson	.....	273/327
2,691,526	10/1954	Wesley et al.	.....	273/407 X
2,959,415	11/1960	Peterson	.....	273/400 X
3,947,031	3/1976	Goldfarb et al.	.....	273/85 E X
4,316,611	2/1982	Stokes et al.	.....	273/85 E X
4,531,745	7/1985	Leidy	.....	273/425 X
4,761,009	8/1988	Gibree	.....	273/185 R

*Primary Examiner*—Prabhakar G. Deshmukh

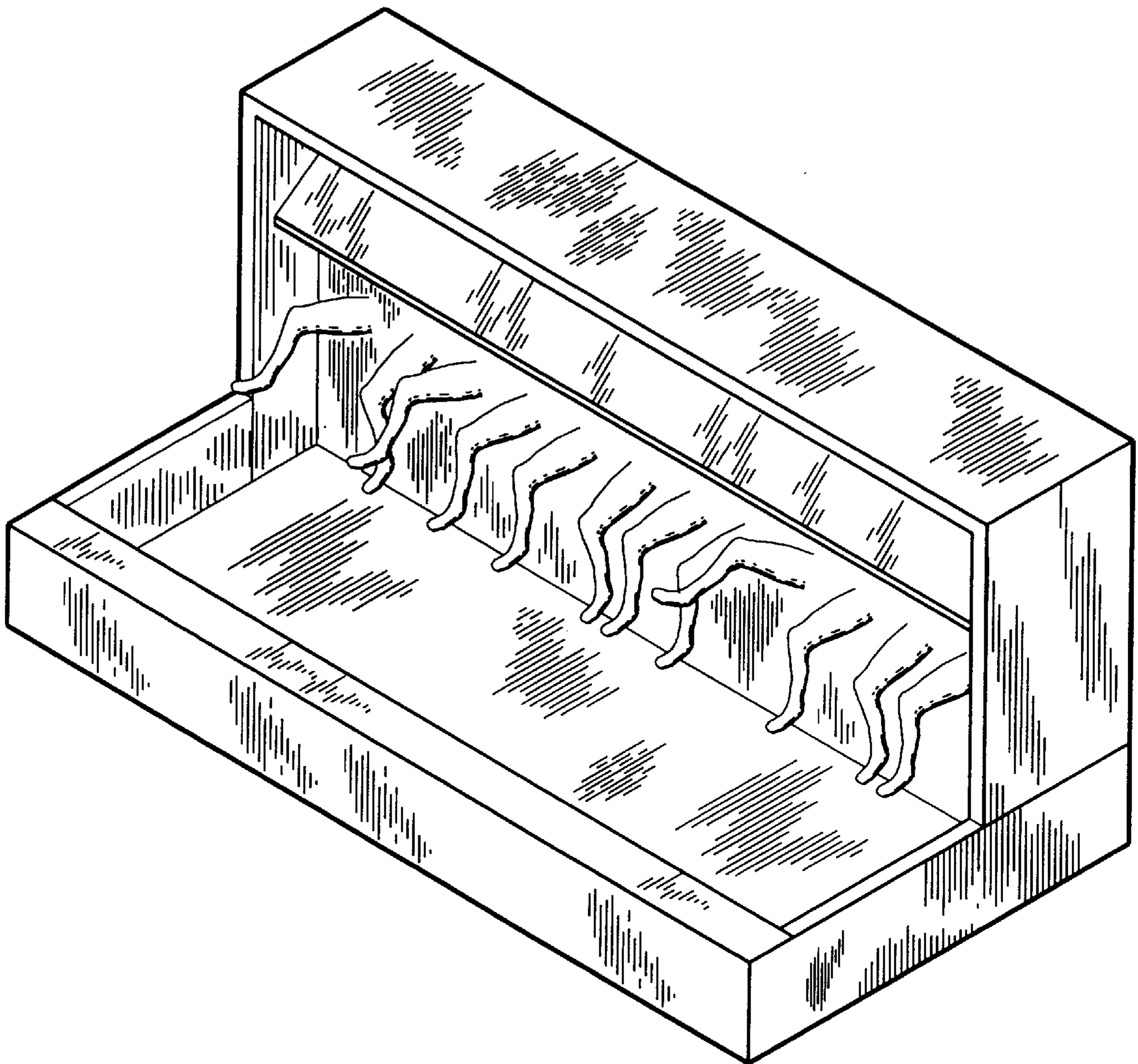
### [57] CLAIM

The ornamental design of a tossing game, as shown and described.

### DESCRIPTION

FIG. 1 is an isometric view of the tossing game; and, FIG. 2 is a side view of the tossing game. The bottom is plane and unornamented.

**1 Claim, 1 Drawing Sheet**



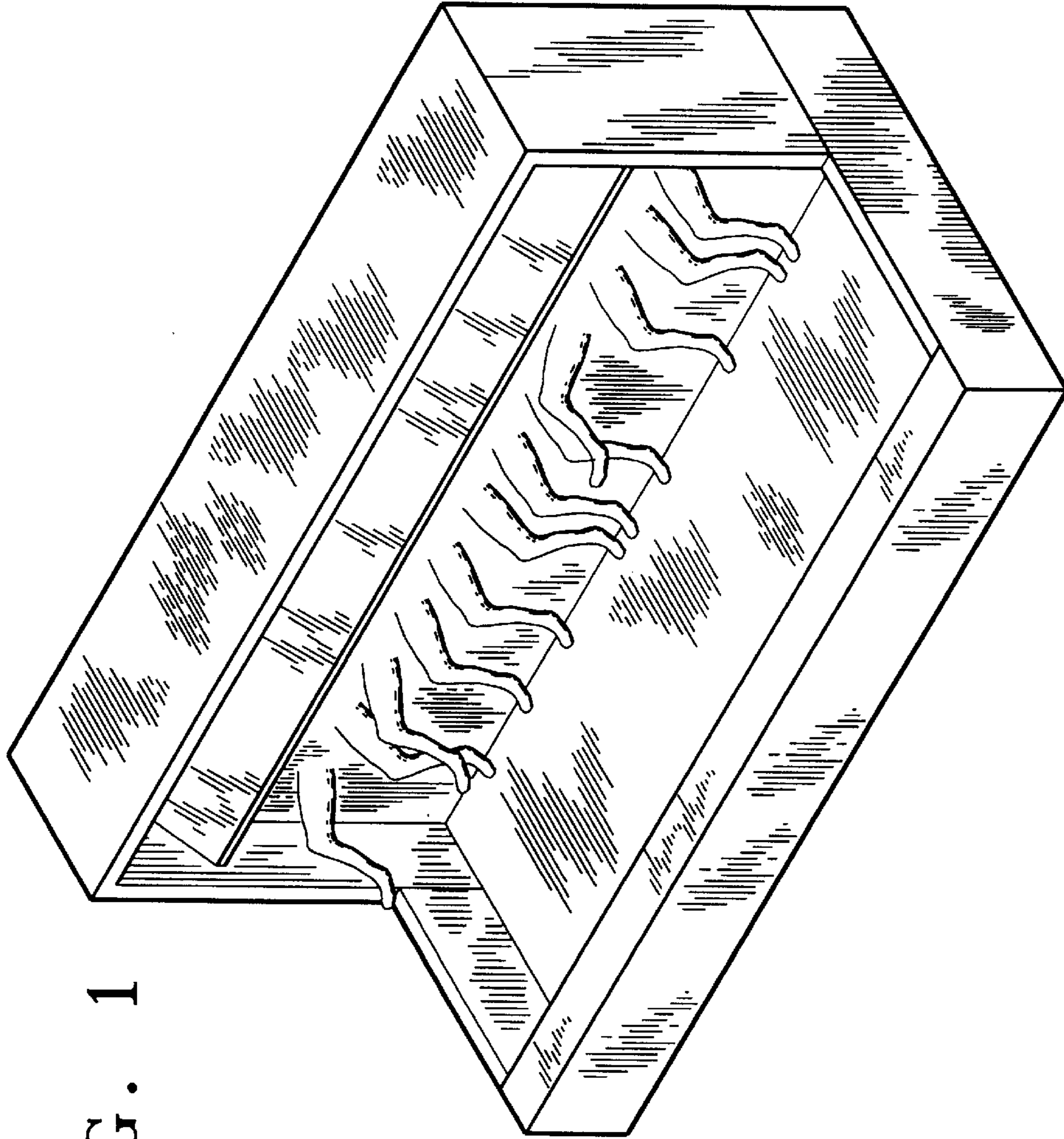


FIG. 1

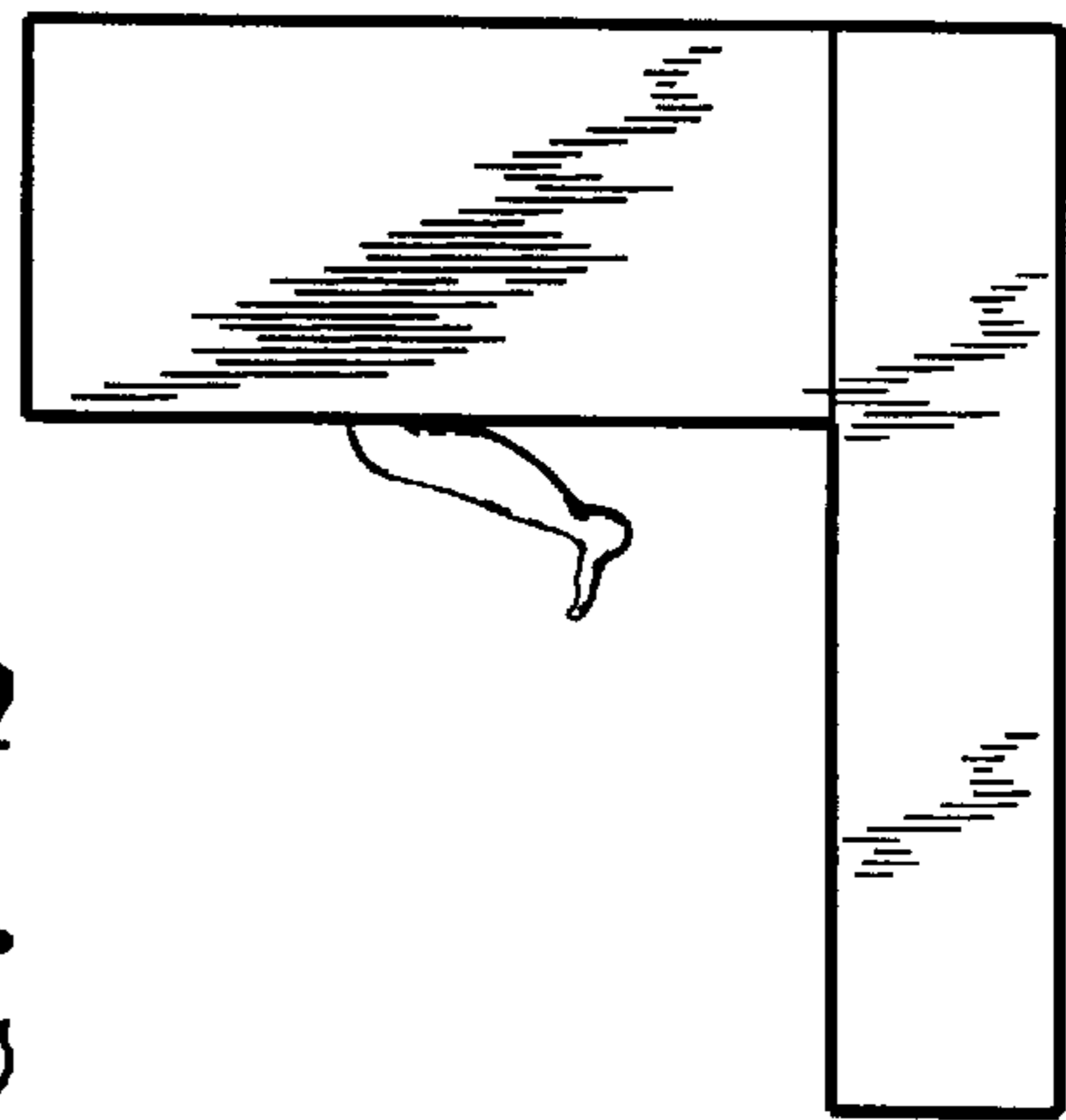


FIG. 2