



US00D404077S

United States Patent [19]

[11] **Patent Number: Des. 404,077**

Dickenson et al.

[45] **Date of Patent: **Jan. 12, 1999**

[54] **GAMING DEVICE**

5,219,167 6/1993 Hamano 273/143 R
5,251,898 10/1993 Dickenson et al. 273/143 R

[75] Inventors: **Robert M. Dickenson**, Henderson;
Richard Jay Schneider, Las Vegas;
Joseph Wesley Cole, Las Vegas; **Paul
Burnell**, Las Vegas, all of Nev.

FOREIGN PATENT DOCUMENTS

9407663 10/1995 Germany .
9409371 10/1995 Germany .

[73] Assignee: **Casino Data Systems**, Las Vegas, Nev.

Primary Examiner—Ted Shooman
Assistant Examiner—Mitchell I. Siegel
Attorney, Agent, or Firm—Bernhard Kreten

[**] Term: **14 Years**

[21] Appl. No.: **45,231**

[57] CLAIM

[22] Filed: **Oct. 13, 1995**

The ornamental design for a gaming device, as shown and described.

[51] **LOC (6) Cl.** **21-02**

DESCRIPTION

[52] **U.S. Cl.** **D21/37**

[58] **Field of Search** D21/37, 38; 273/138 R,
273/143 R, 142 R, 85 CP

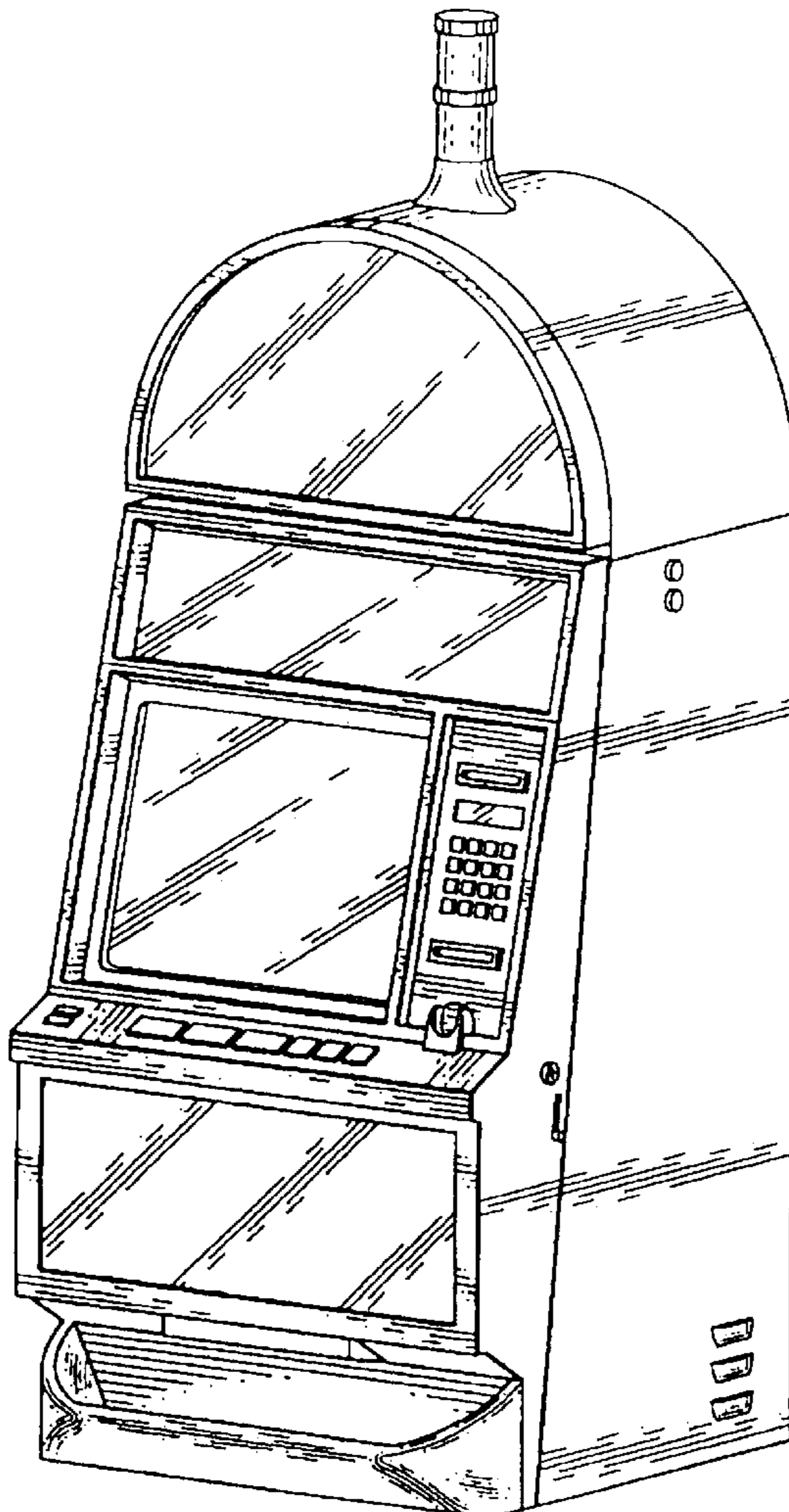
FIG. 1 is a perspective view of a gaming device showing our new design;
FIG. 2 is a front view thereof;
FIG. 3 is a top view thereof;
FIG. 4 is a right side view thereof;
FIG. 5 is a back view thereof;
FIG. 6 is a bottom view thereof; and,
FIG. 7 is a left side view thereof.

[56] References Cited

U.S. PATENT DOCUMENTS

D. 344,122 2/1994 McKay D21/37
5,108,099 4/1992 Smyth 273/138 A
5,123,413 6/1992 Tiberio 273/143 R
5,167,413 12/1992 Fulton 273/85 CP

1 Claim, 3 Drawing Sheets



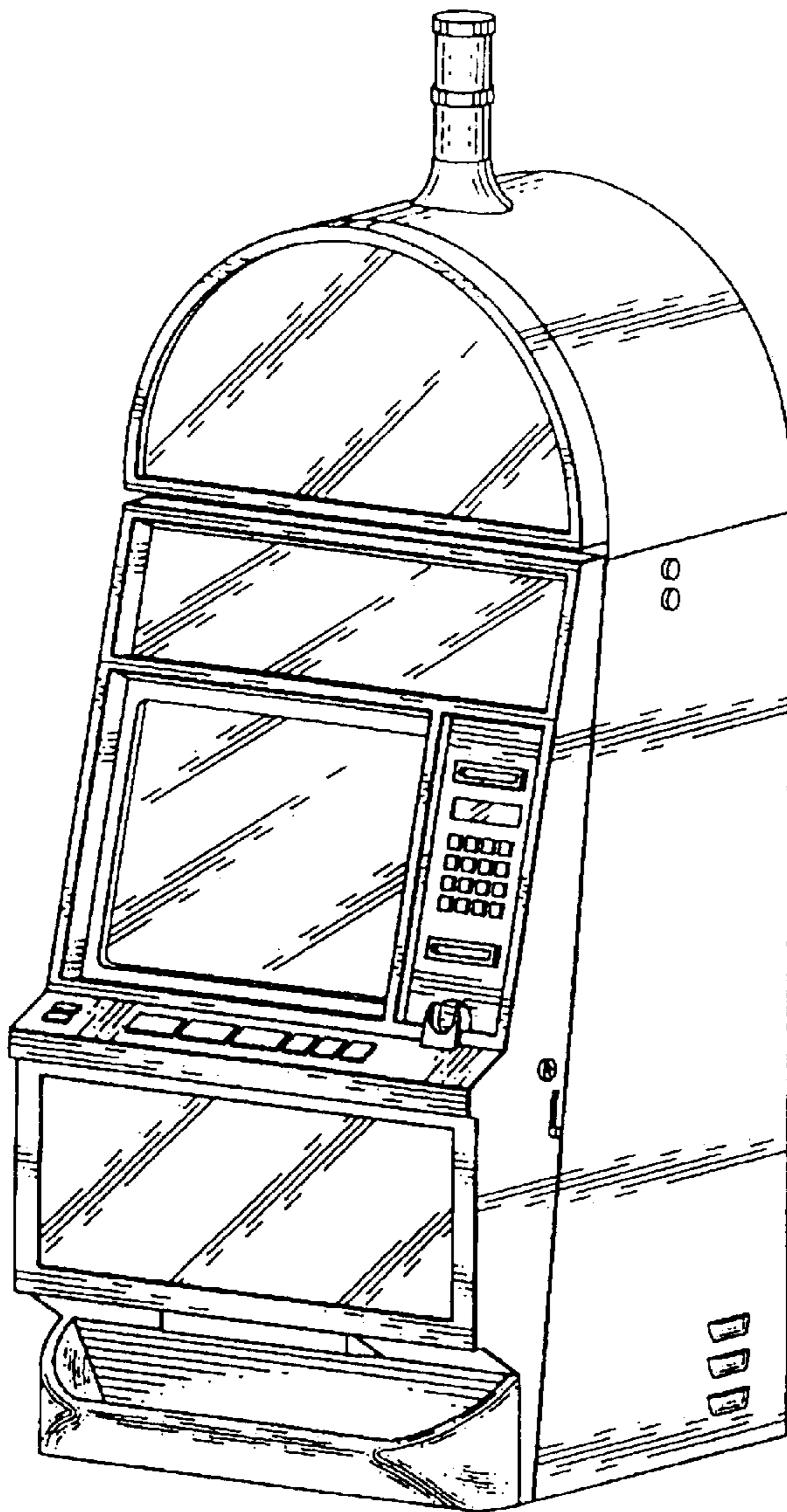


Fig. 1

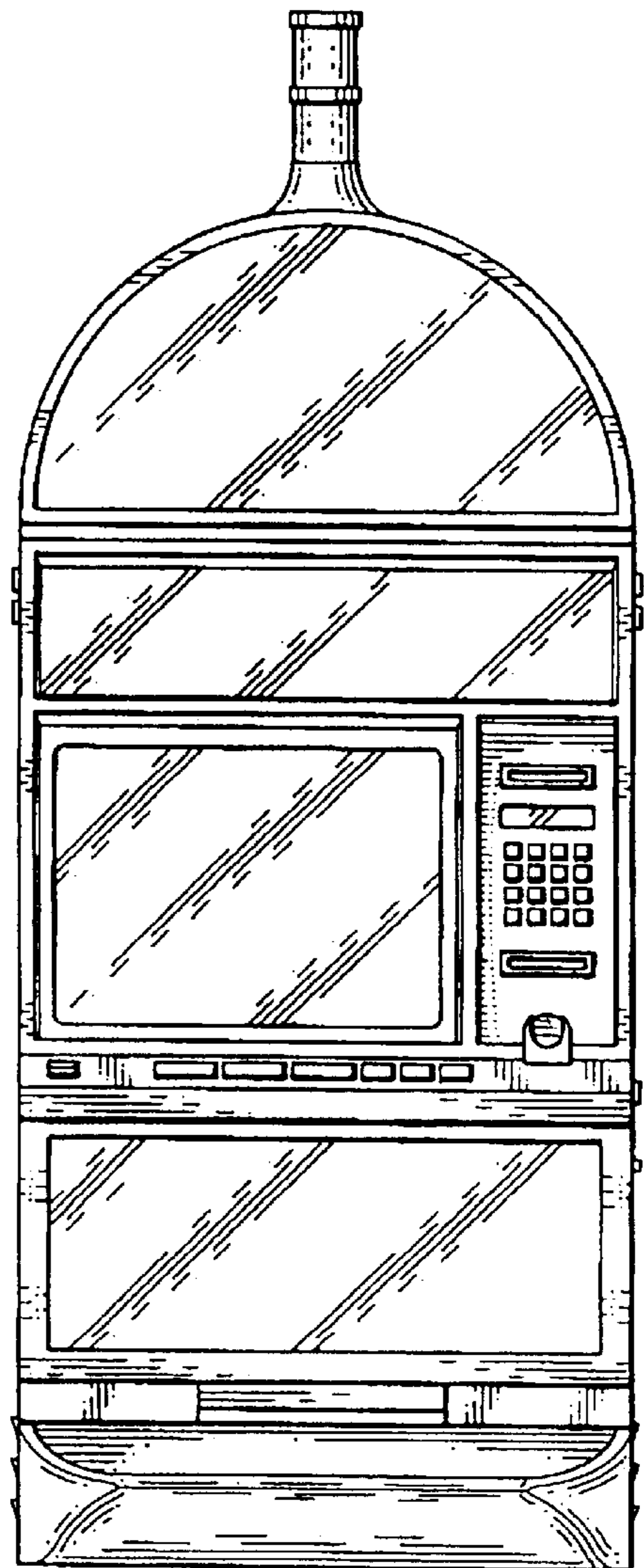


Fig. 2

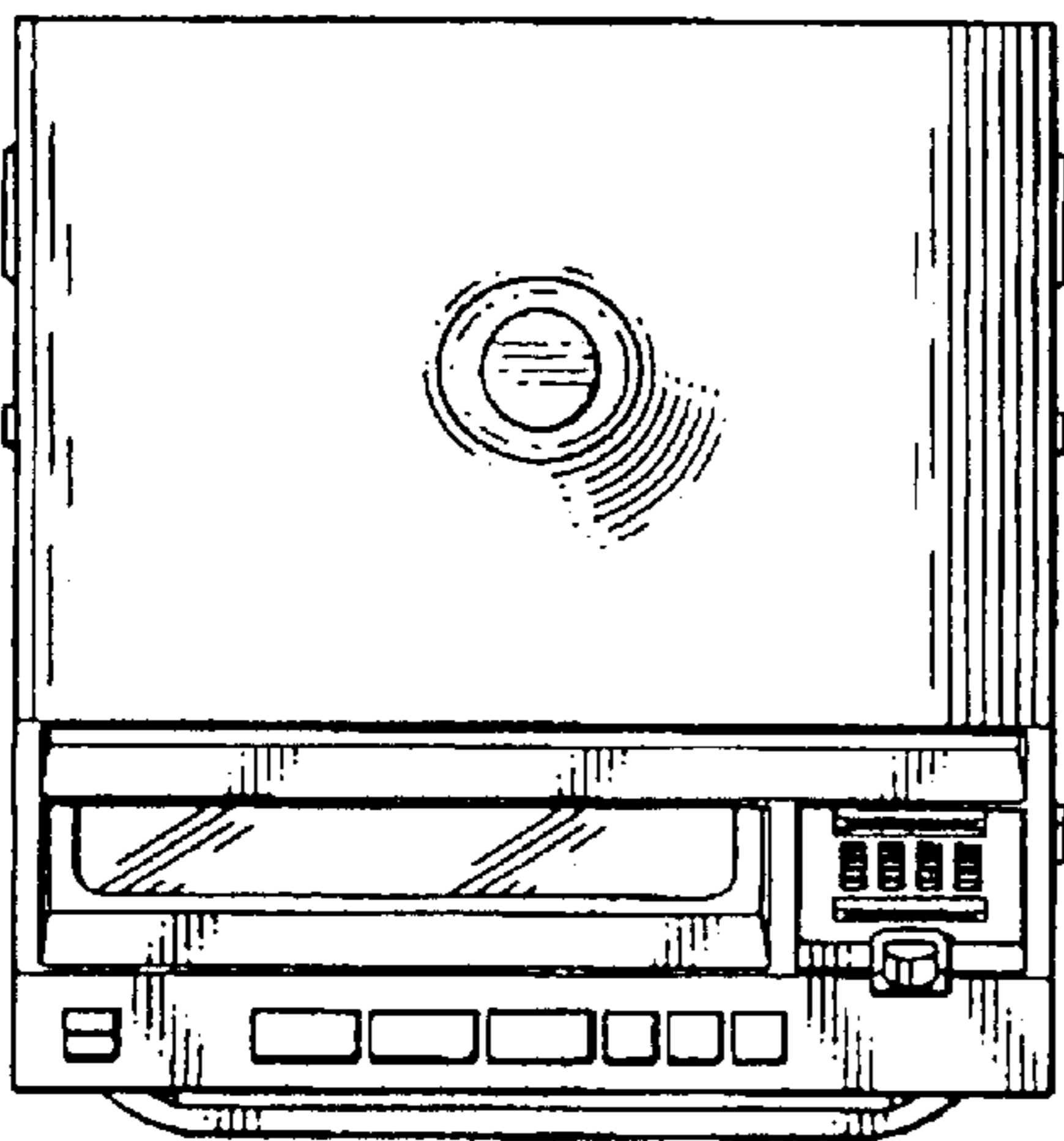


Fig. 3

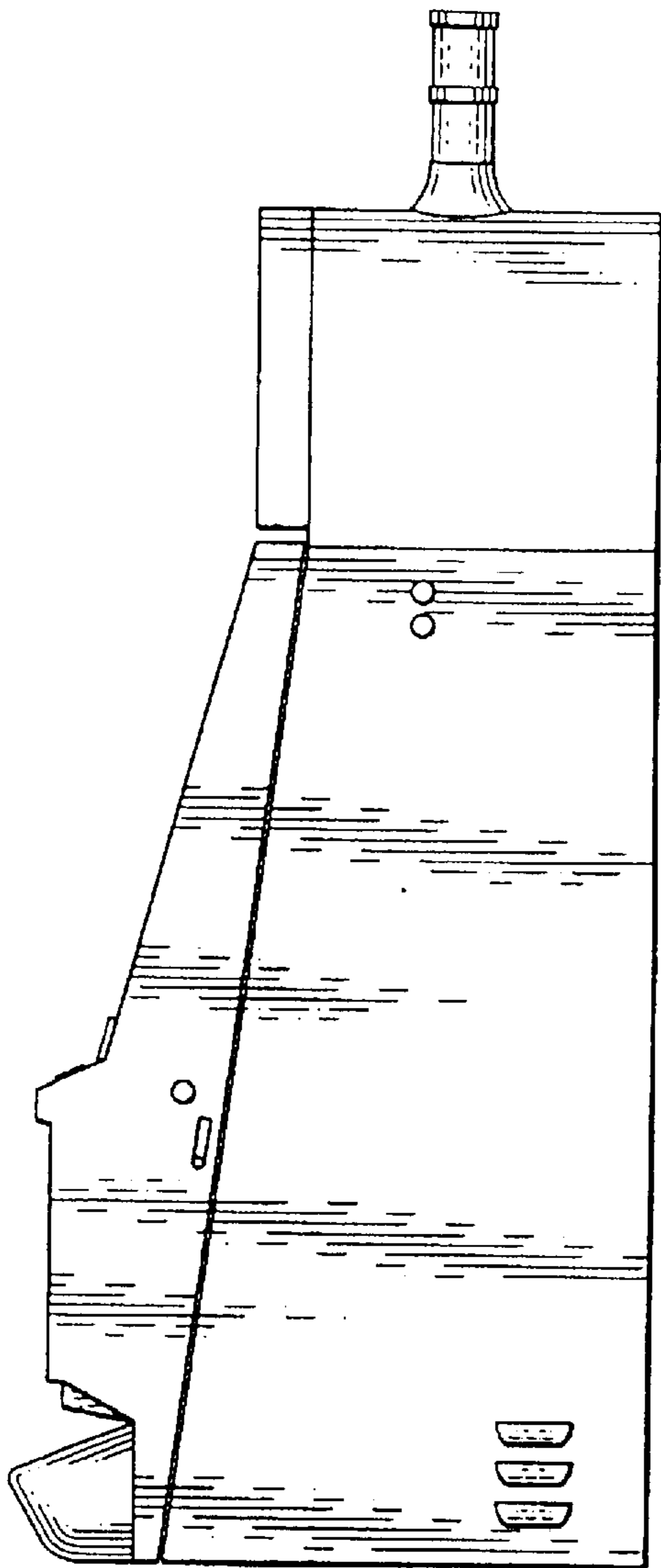


Fig. 4

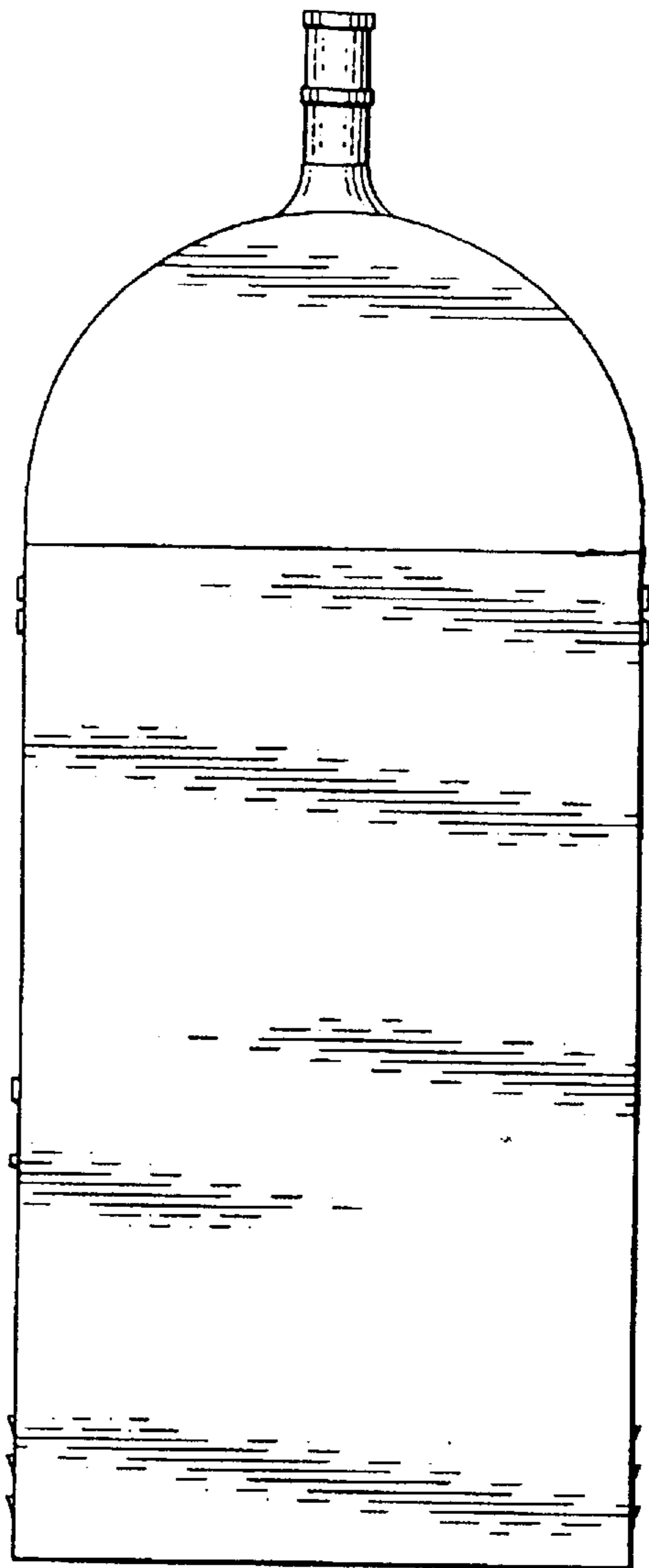


Fig. 5

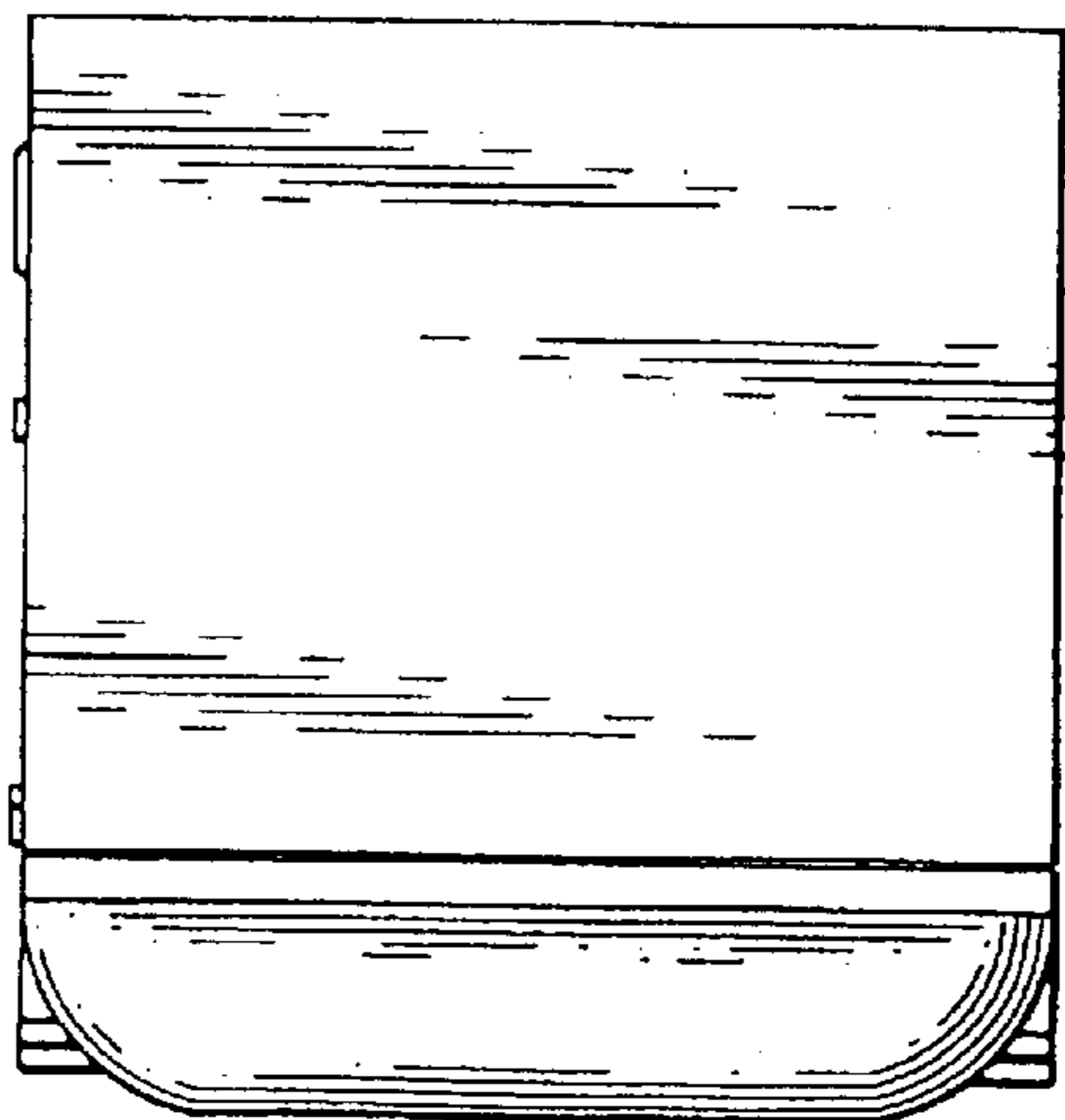


Fig. 6

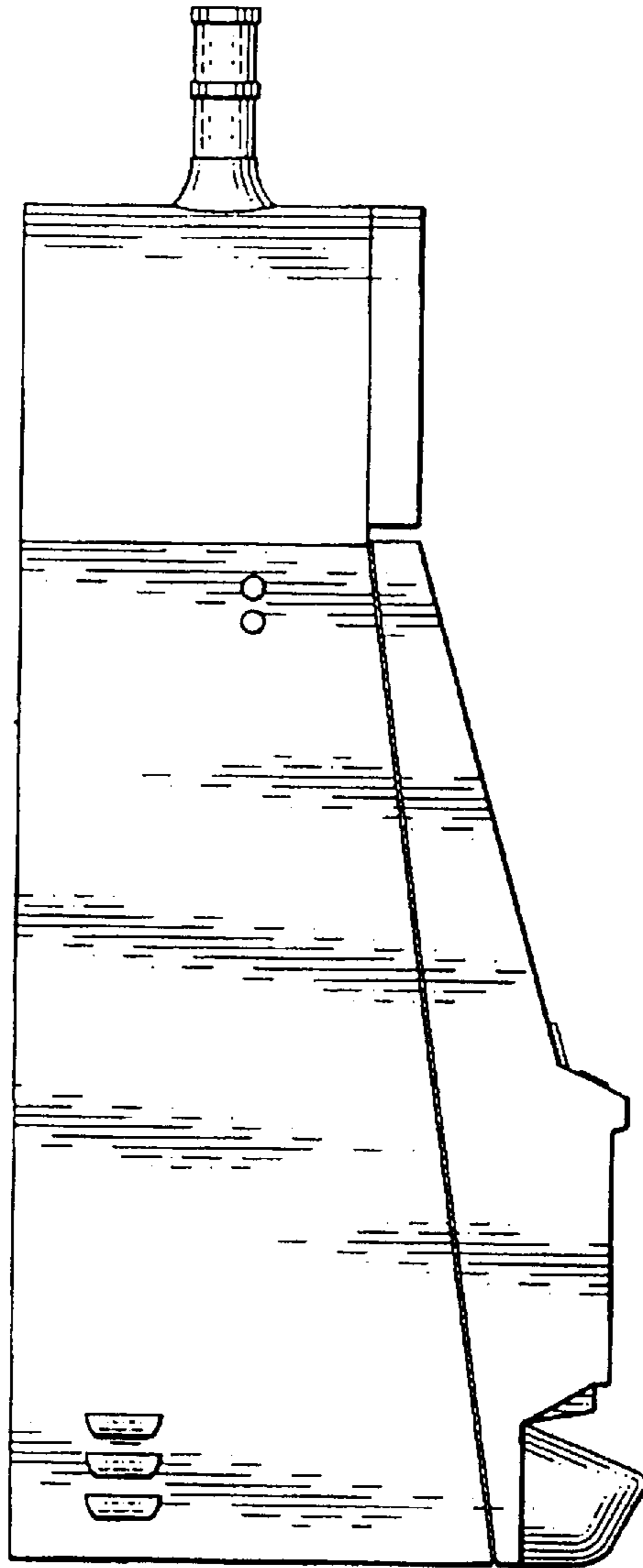


Fig. 7