



US00D404076S

**United States Patent** [19]  
**Kurosawa**

[11] **Patent Number: Des. 404,076**

[45] **Date of Patent: \*\*Jan. 12, 1999**

[54] **HOPPER FOR COIN MECHANISM**

[75] Inventor: **Motoharu Kurosawa, Iwatuki, Japan**

[73] Assignee: **Asahi Seiko Kabushiki Kaisha, Tokyo, Japan**

[\*\*] Term: **14 Years**

[21] Appl. No.: **78,544**

[22] Filed: **Oct. 21, 1997**

[30] **Foreign Application Priority Data**

Jun. 23, 1997 [JP] Japan ..... 9-58687

[51] **LOC (6) Cl.** ..... **20-01**

[52] **U.S. Cl.** ..... **D20/9; D99/43**

[58] **Field of Search** ..... D99/28, 43; 453/1, 453/3, 5, 6, 8, 9, 12, 13; 194/318; D20/9

[56] **References Cited**

**U.S. PATENT DOCUMENTS**

D. 314,797 2/1991 Ibarola ..... D20/9

D. 320,814 10/1991 Yukimoto et al. .... D20/9

D. 321,013 10/1991 Yukimoto et al. .... D20/9

D. 329,256 9/1992 Nakajima et al. .... D20/9

D. 331,781 12/1992 Nishiumi et al. .... D20/9

4,548,220 10/1985 Le Hong et al. .... 453/3

5,551,911 9/1996 Rumbach ..... 453/3

*Primary Examiner*—Paula A. Mortimer  
*Attorney, Agent, or Firm*—McGlew and Tuttle

[57] **CLAIM**

The ornamental design for a hopper for coin mechanism, as shown and described.

**DESCRIPTION**

FIG. 1 is a top plan view of a hopper for coin mechanism showing my new design;

FIG. 2 is a bottom plan view thereof;

FIG. 3 is a right side elevational view thereof;

FIG. 4 is a left side elevational view thereof;

FIG. 5 is a front elevational view thereof;

FIG. 6 is a rear elevational view thereof;

FIG. 7 is front, left and upper perspective view;

FIG. 8 is a rear, left, and upper perspective view thereof;

FIG. 9 is a front, right and upper perspective view; and,

FIG. 10 is a rear, left, and upper perspective view.

**1 Claim, 6 Drawing Sheets**

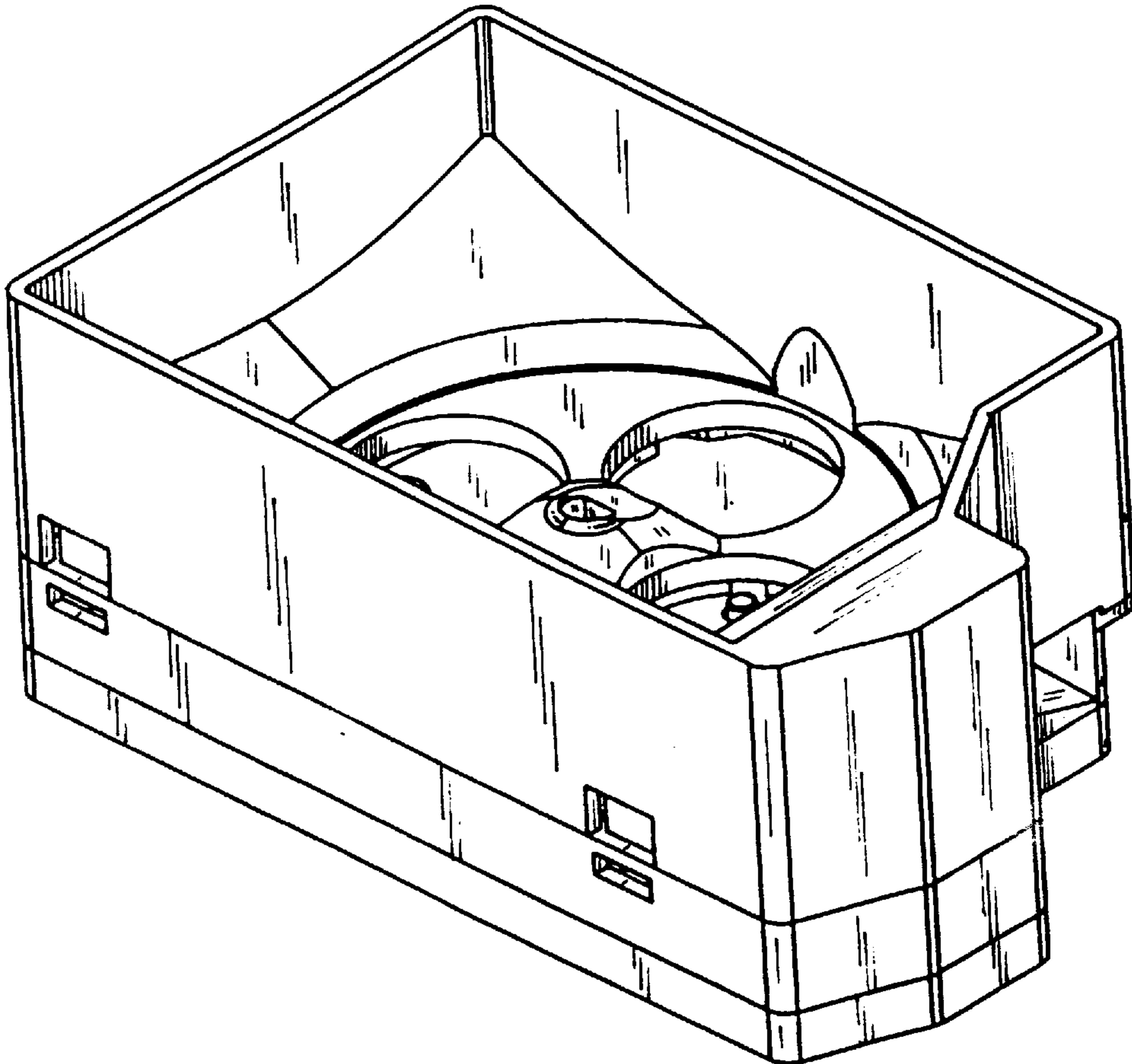


FIG. 1

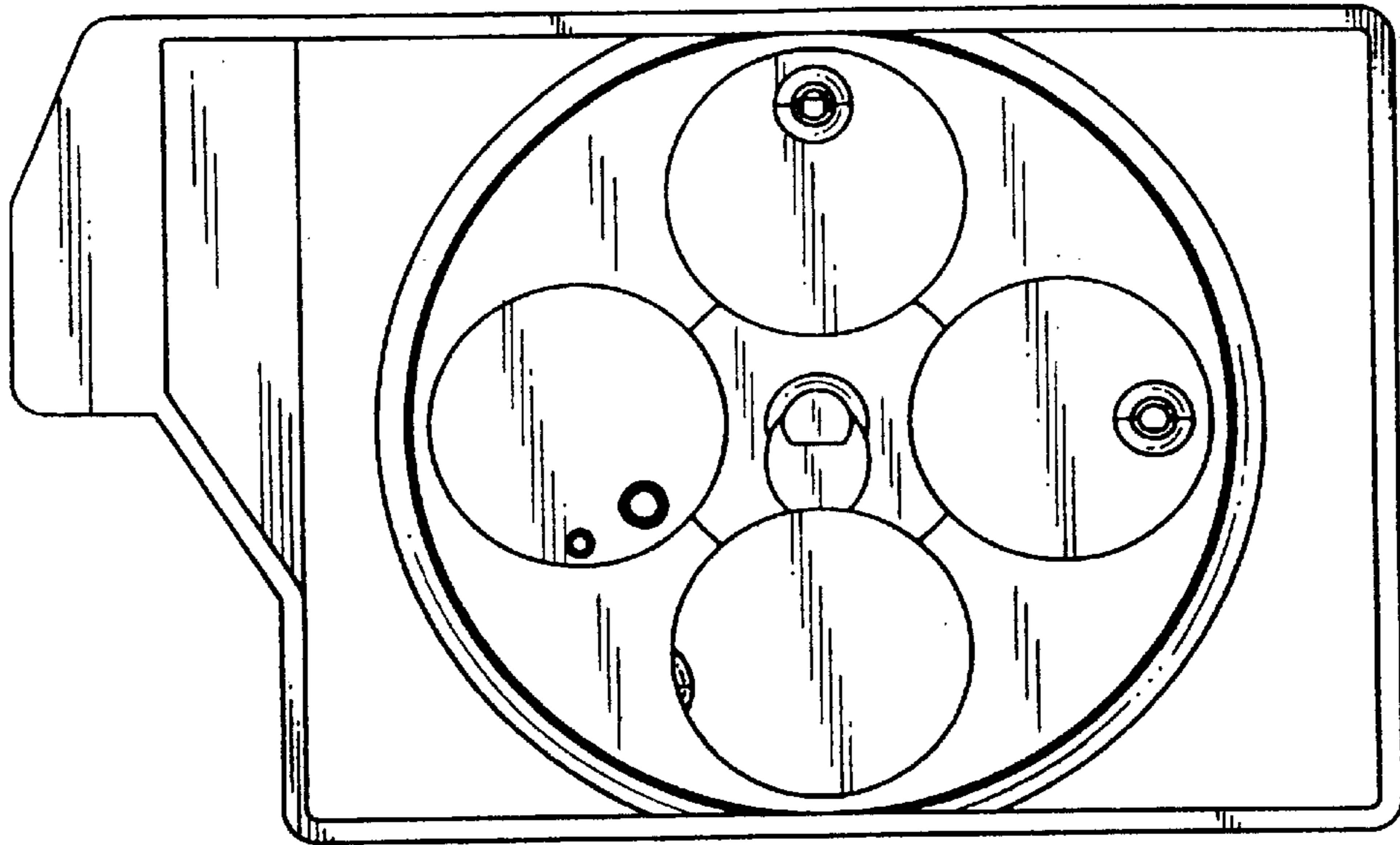


FIG. 2

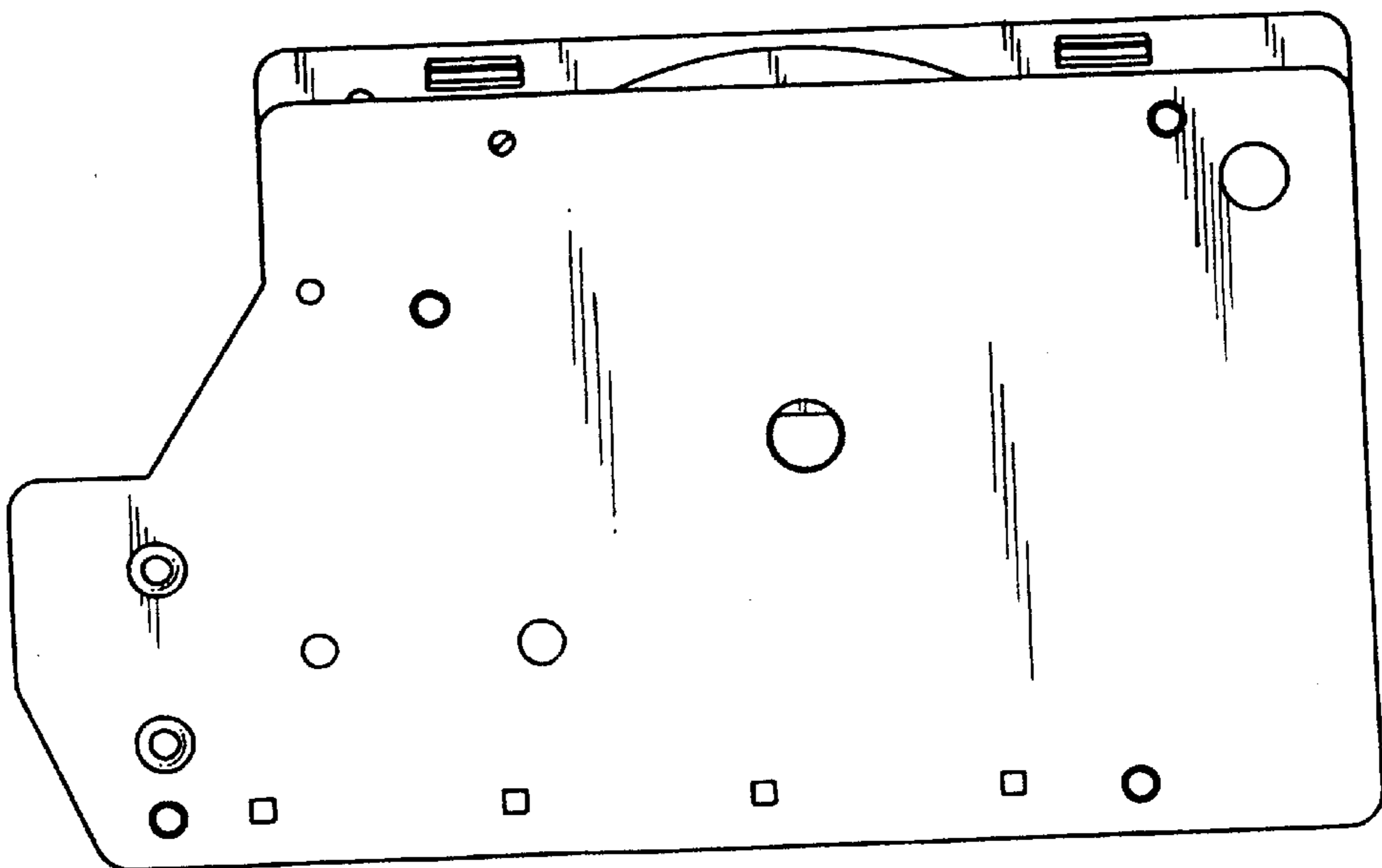


FIG. 3

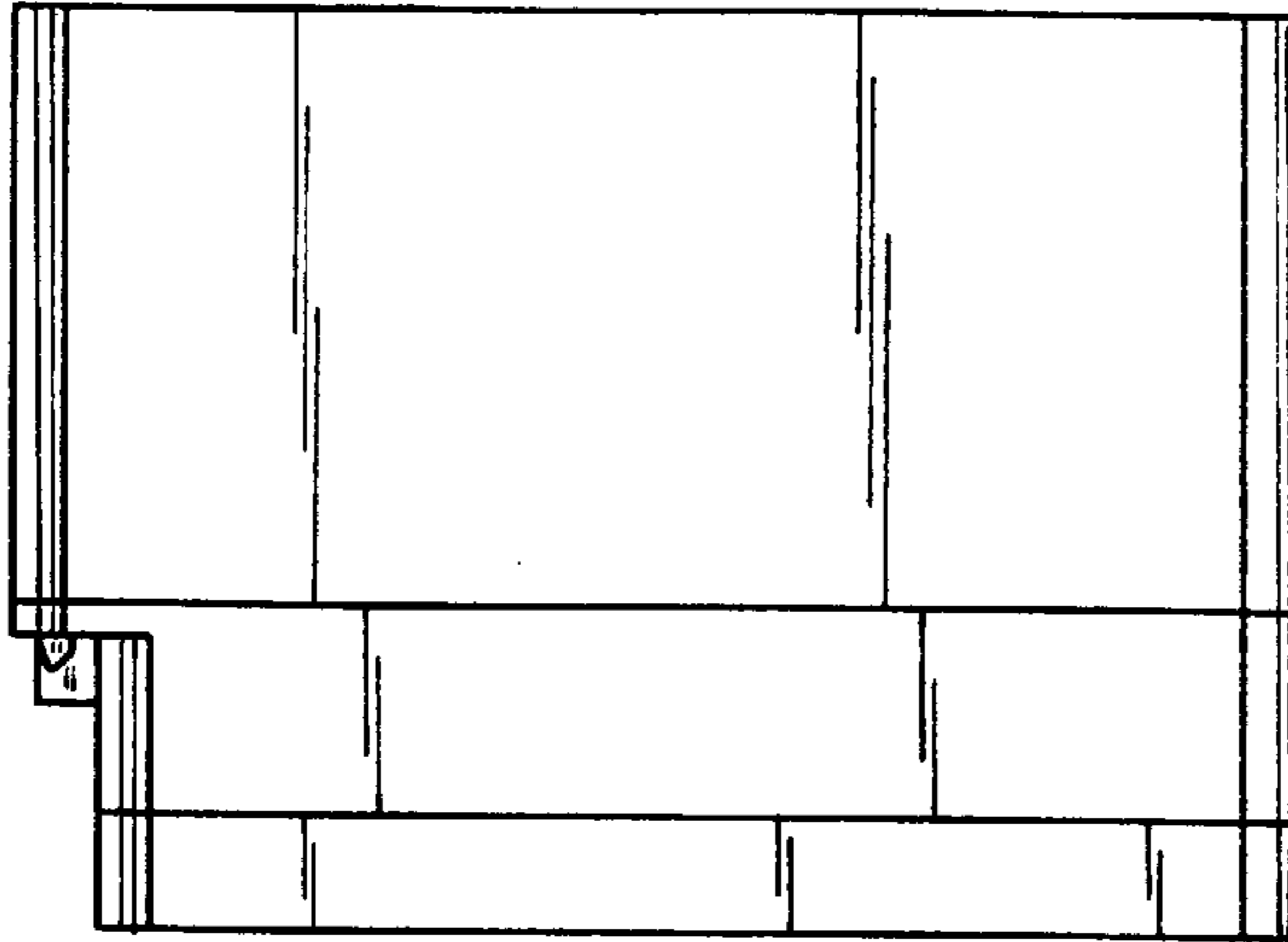


FIG. 4

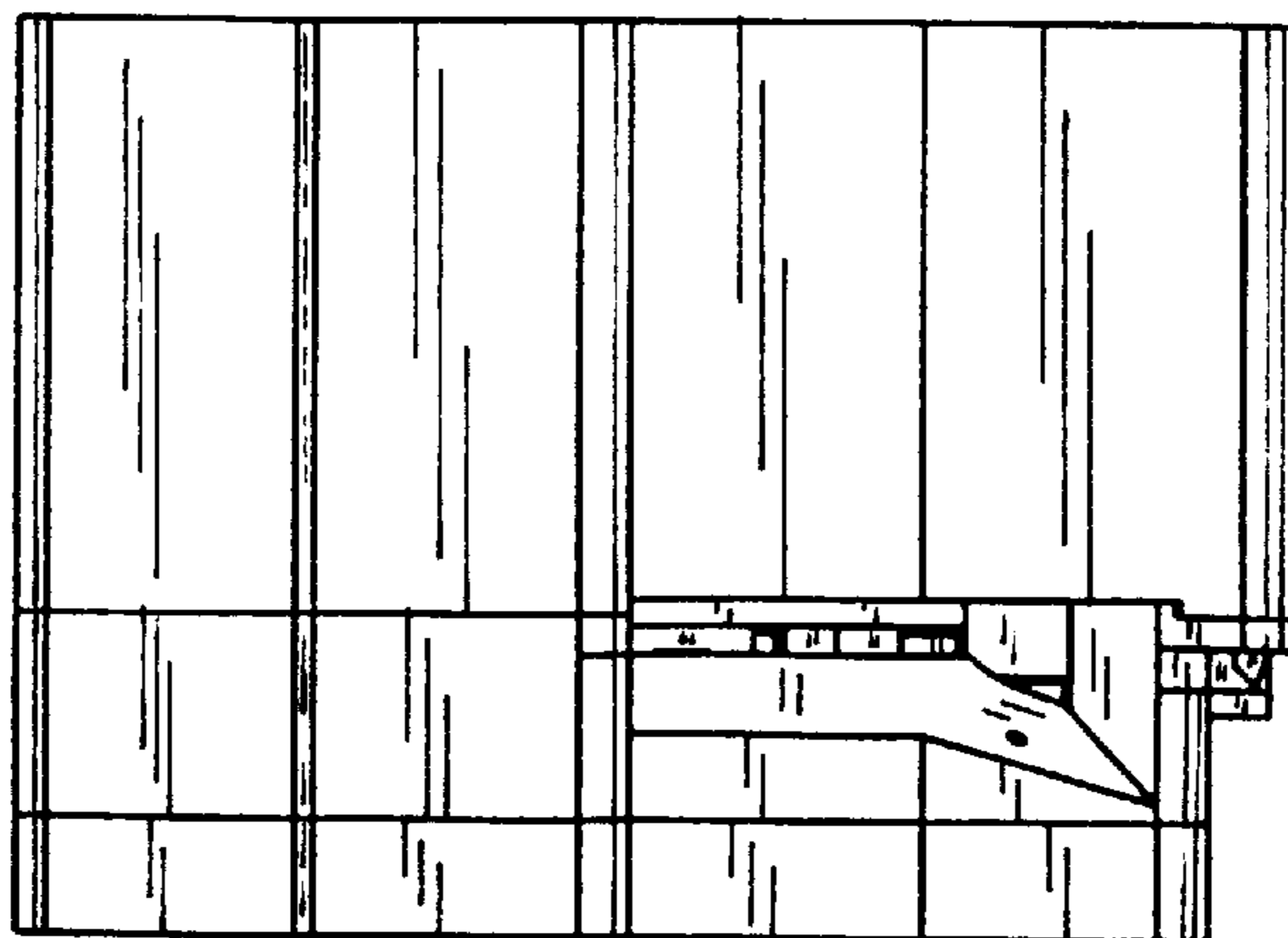


FIG. 5

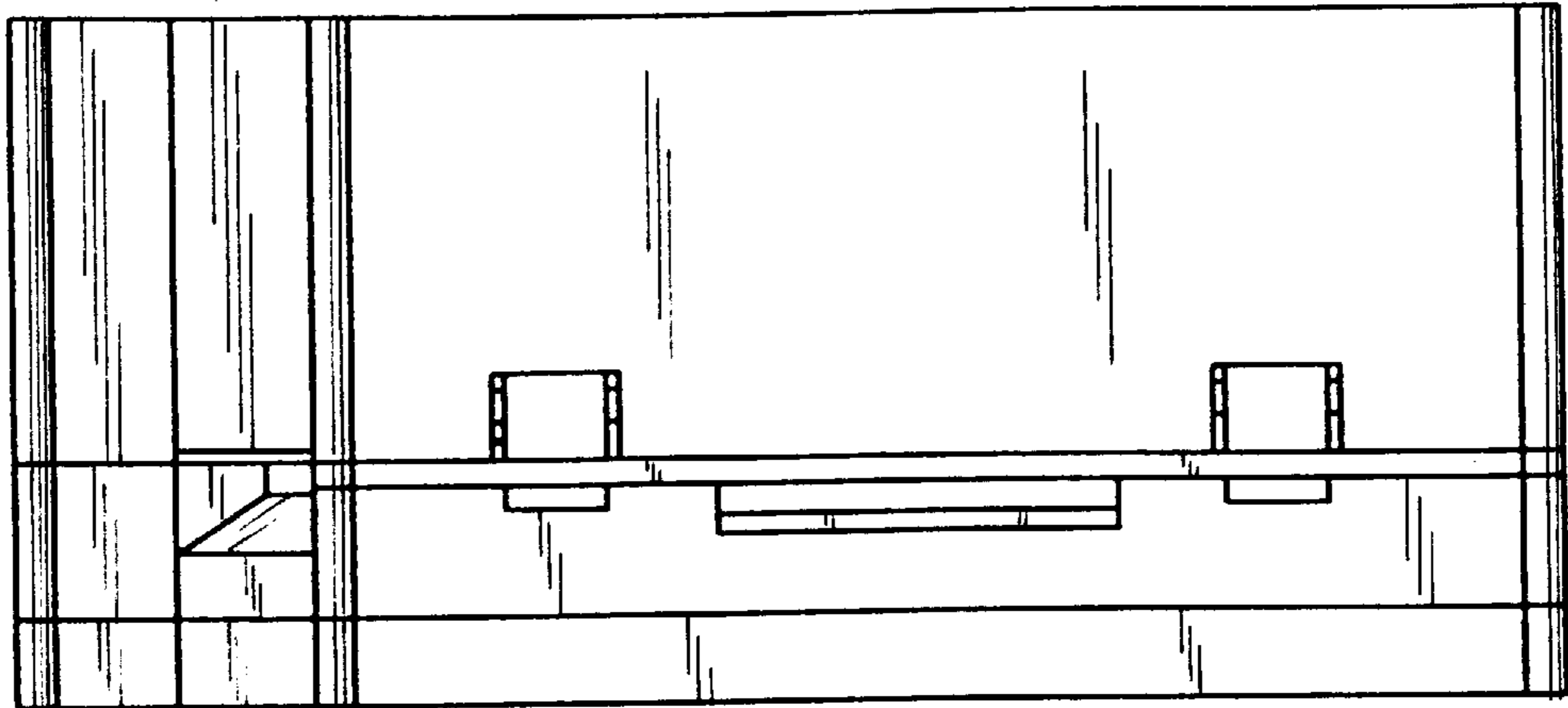


FIG. 6

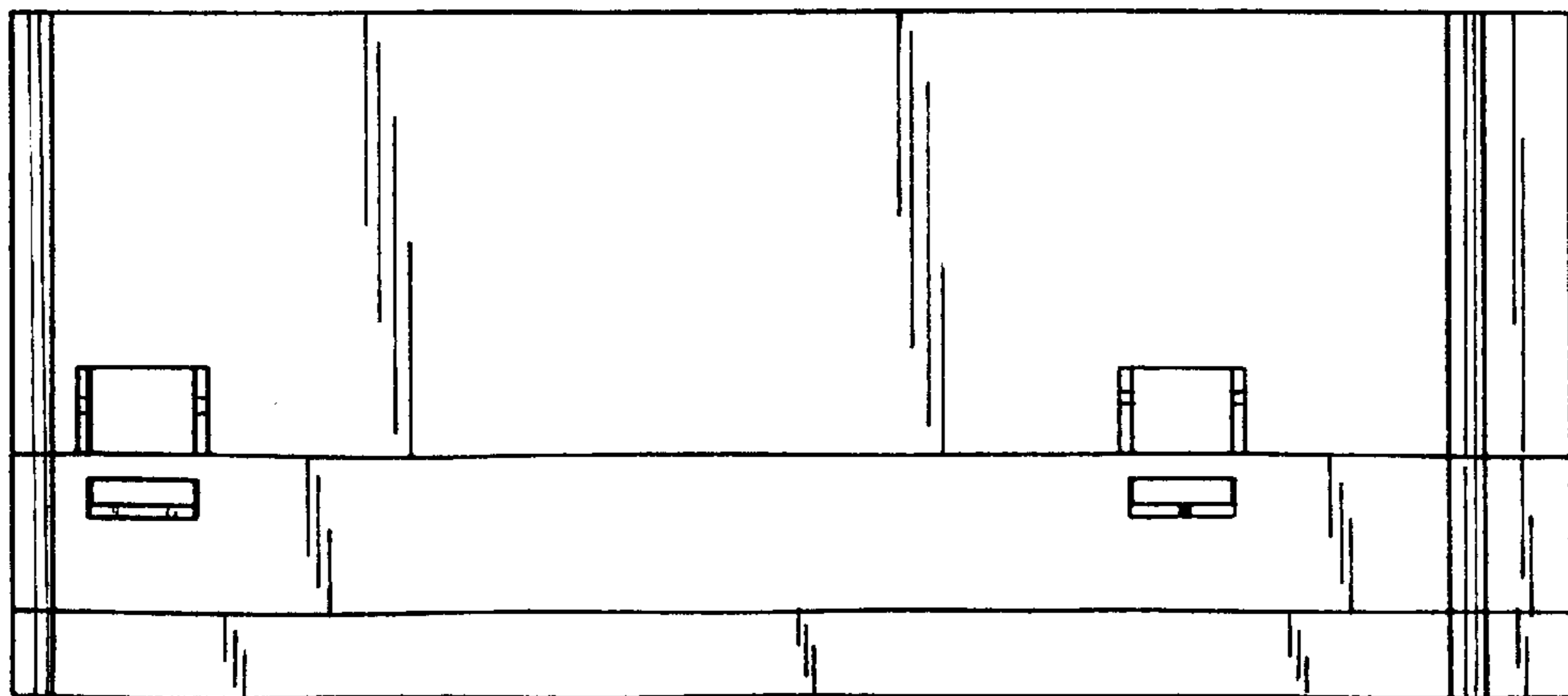


FIG. 7

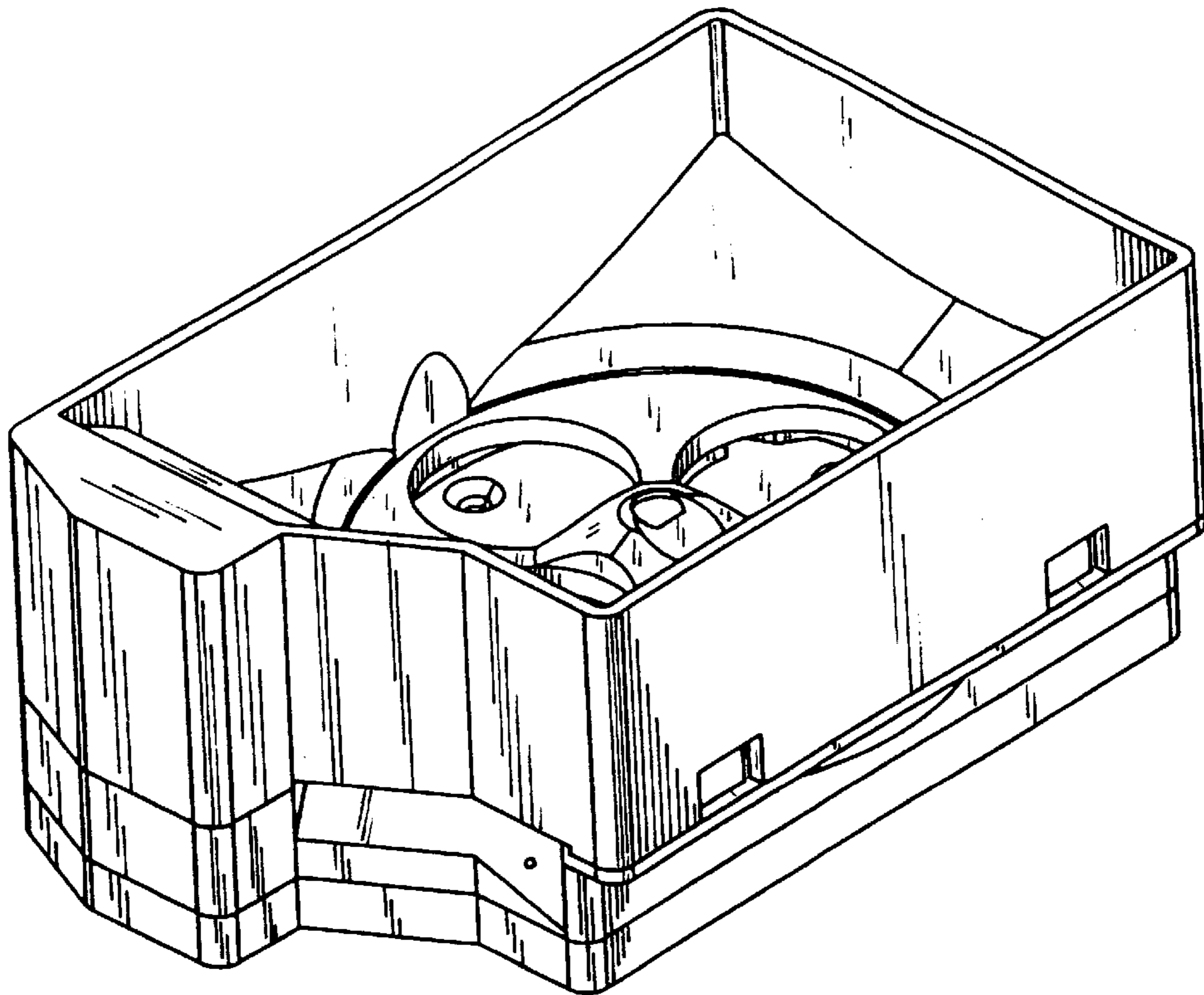


FIG. 8

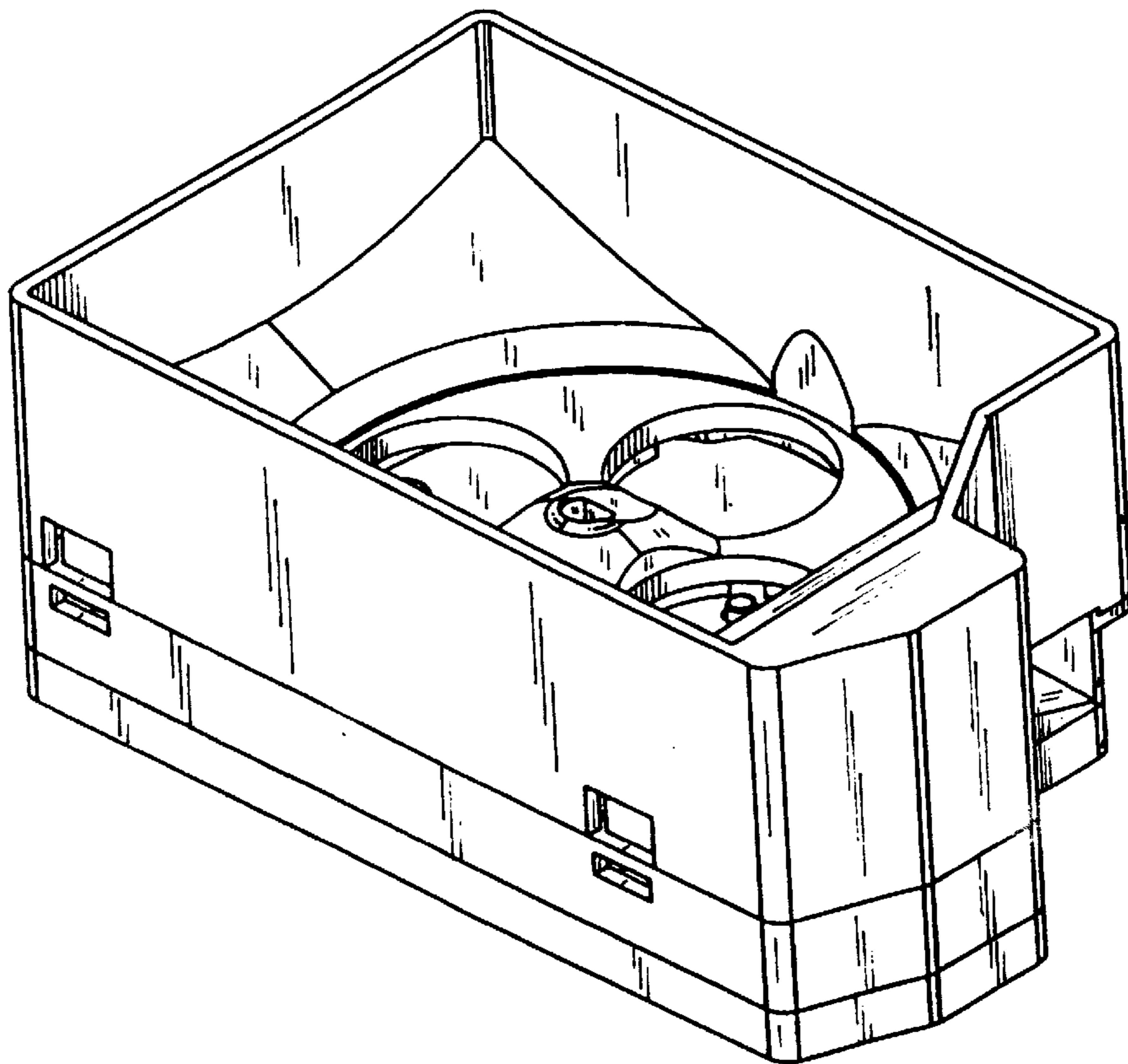


FIG. 9

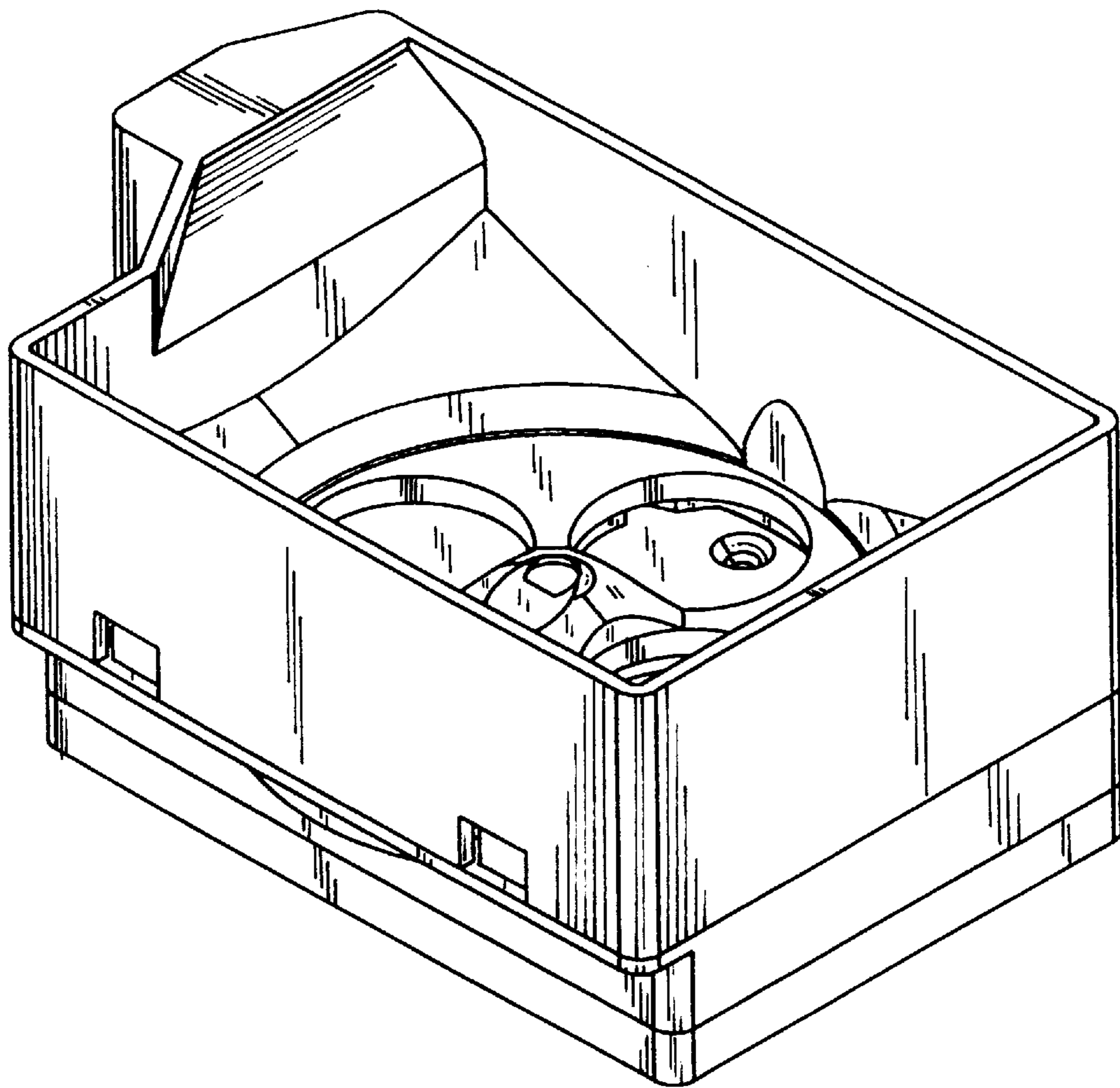


FIG. 10

