



US00D404073S

# United States Patent [19] Rubin

[11] **Patent Number: Des. 404,073**

[45] **Date of Patent: \*\*Jan. 12, 1999**

[54] **CHART HOLDER**

*Attorney, Agent, or Firm—Helfgott & Karas, P C*

[75] Inventor: **Laurence S. Rubin**, Englewood Cliff, N.J.

[57] **CLAIM**

[73] Assignee: **Testrite Instrument Co., Inc.**, Newark, N.J.

The ornamental design for a chart holder, as shown and described.

[\*\*] Term: **14 Years**

**DESCRIPTION**

[21] Appl. No.: **64,206**

FIG. 1 is a top perspective view of a chart holder showing the new design where the broken line shows a fragmented post for illustrative purposes only and forms no part of the design;

[22] Filed: **Dec. 24, 1996**

[51] **LOC (6) Cl.** ..... **19-02**

[52] **U.S. Cl.** ..... **D19/90**

[58] **Field of Search** ..... D8/355; D20/43; 40/493, 389, 518; 248/206.5; 211/45; D19/90

FIG. 2 is a top plan view thereof;

FIG. 3 is a front elevation view;

[56] **References Cited**

**U.S. PATENT DOCUMENTS**

D. 327,501 6/1992 Maloney ..... D19/90 X

FIG. 4 is a right-end elevation view thereof;

FIG. 5 is a left-end elevation view thereof;

FIG. 6 is a rear elevation view thereof; and,

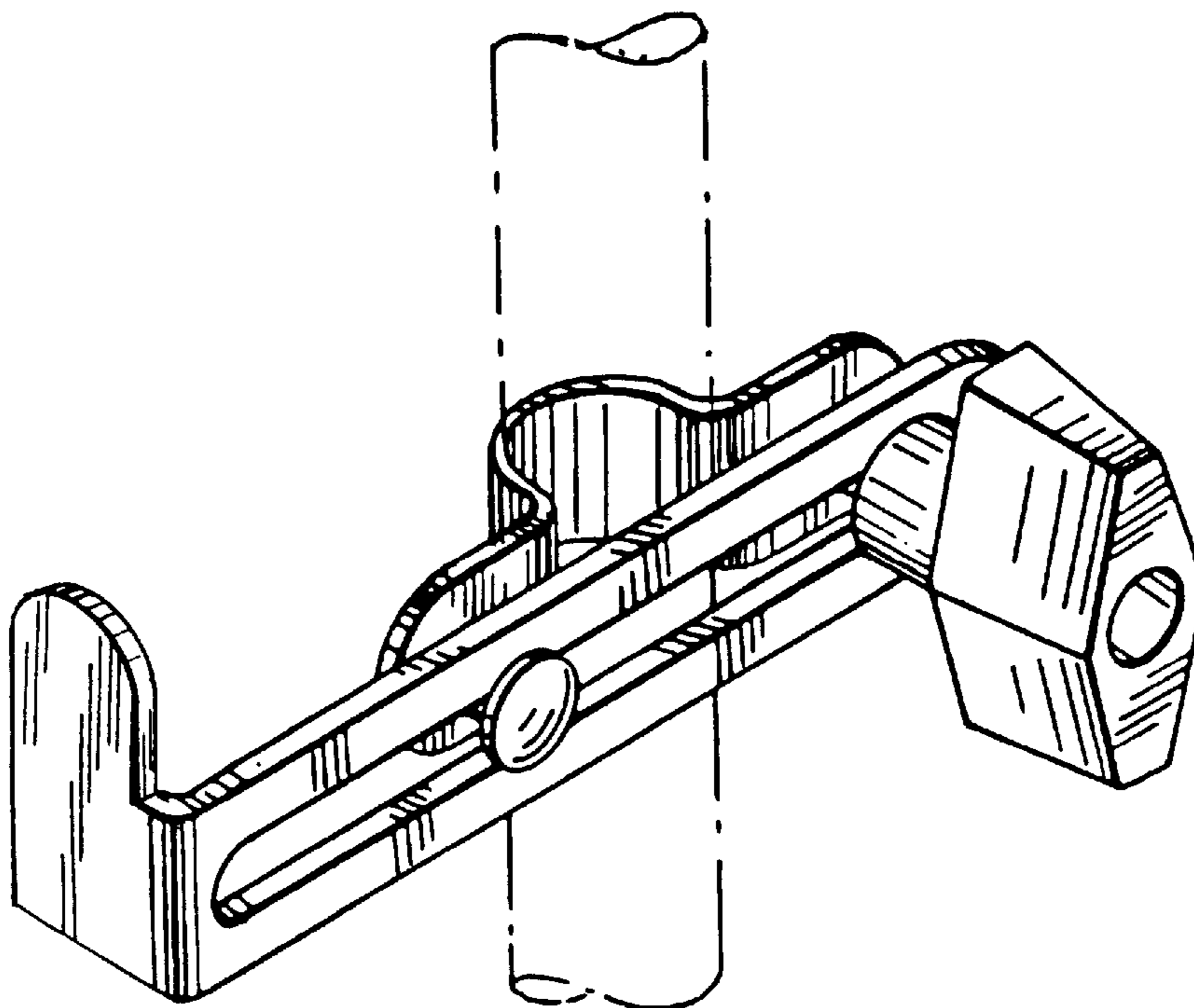
**OTHER PUBLICATIONS**

A.L. Liebman and Son, Jan. 16, 1985, p. 18, support located in middle of page.

FIG. 7 is a bottom plan view thereof.

*Primary Examiner—Holly Baynham*

**1 Claim, 2 Drawing Sheets**



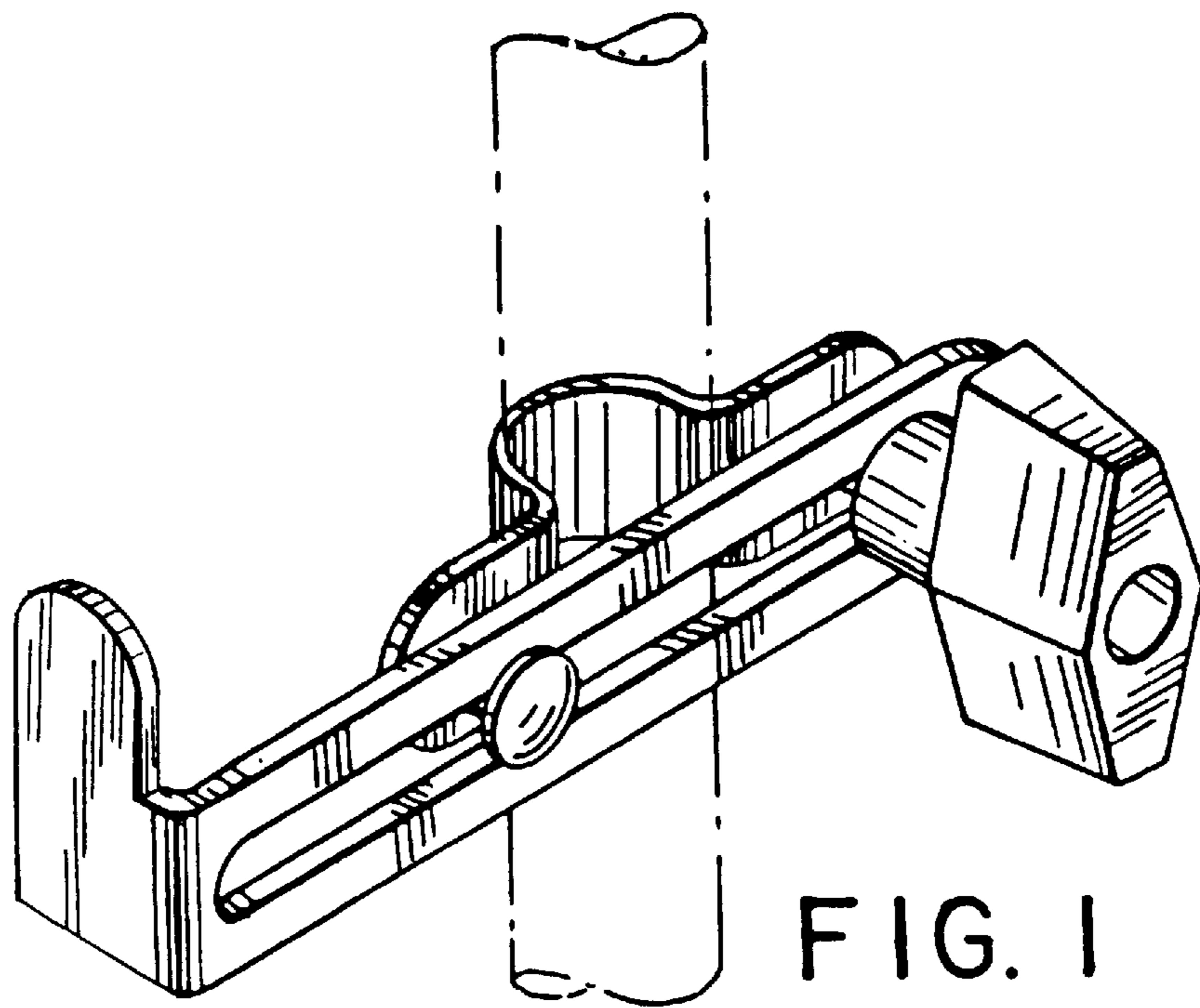


FIG. 1

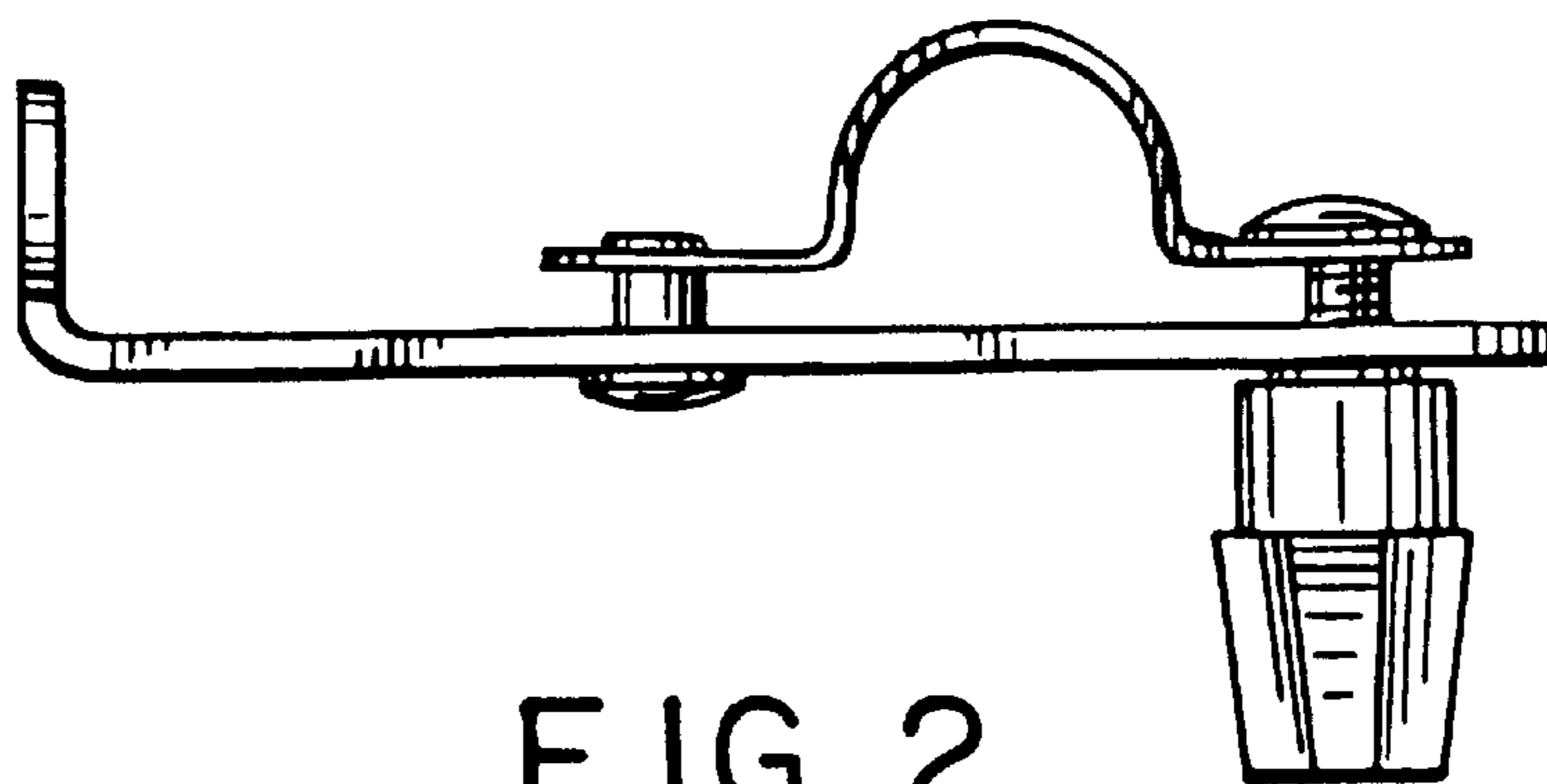


FIG. 2

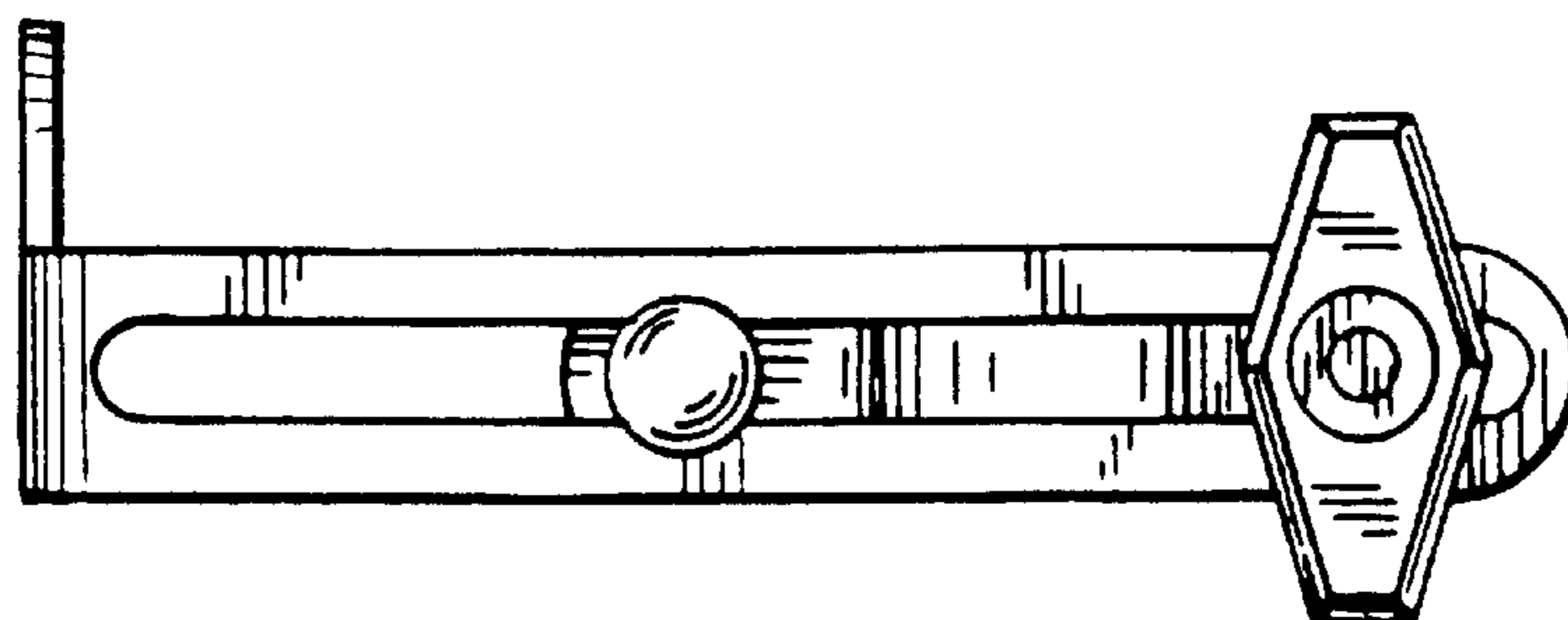


FIG. 3

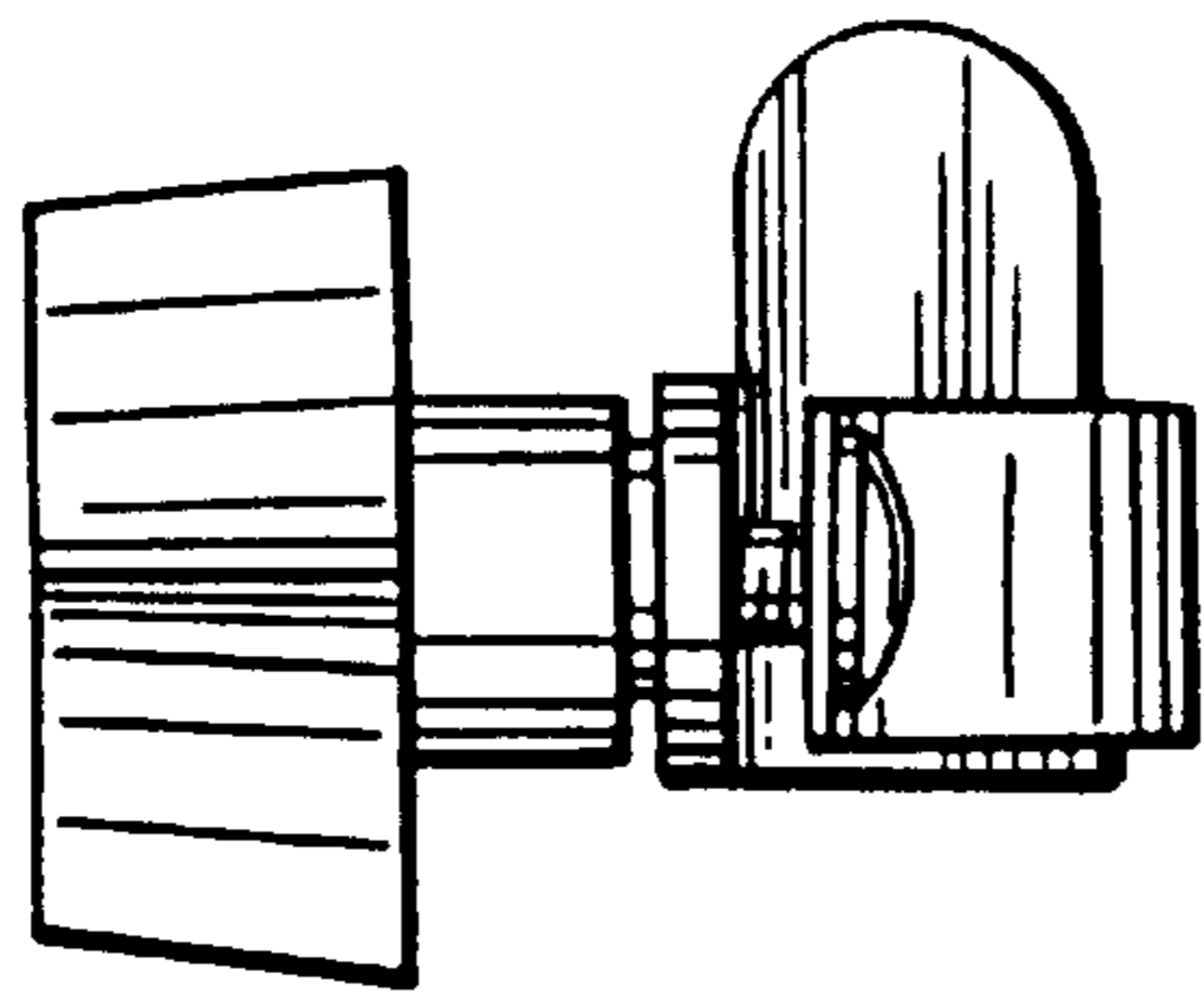


FIG. 4

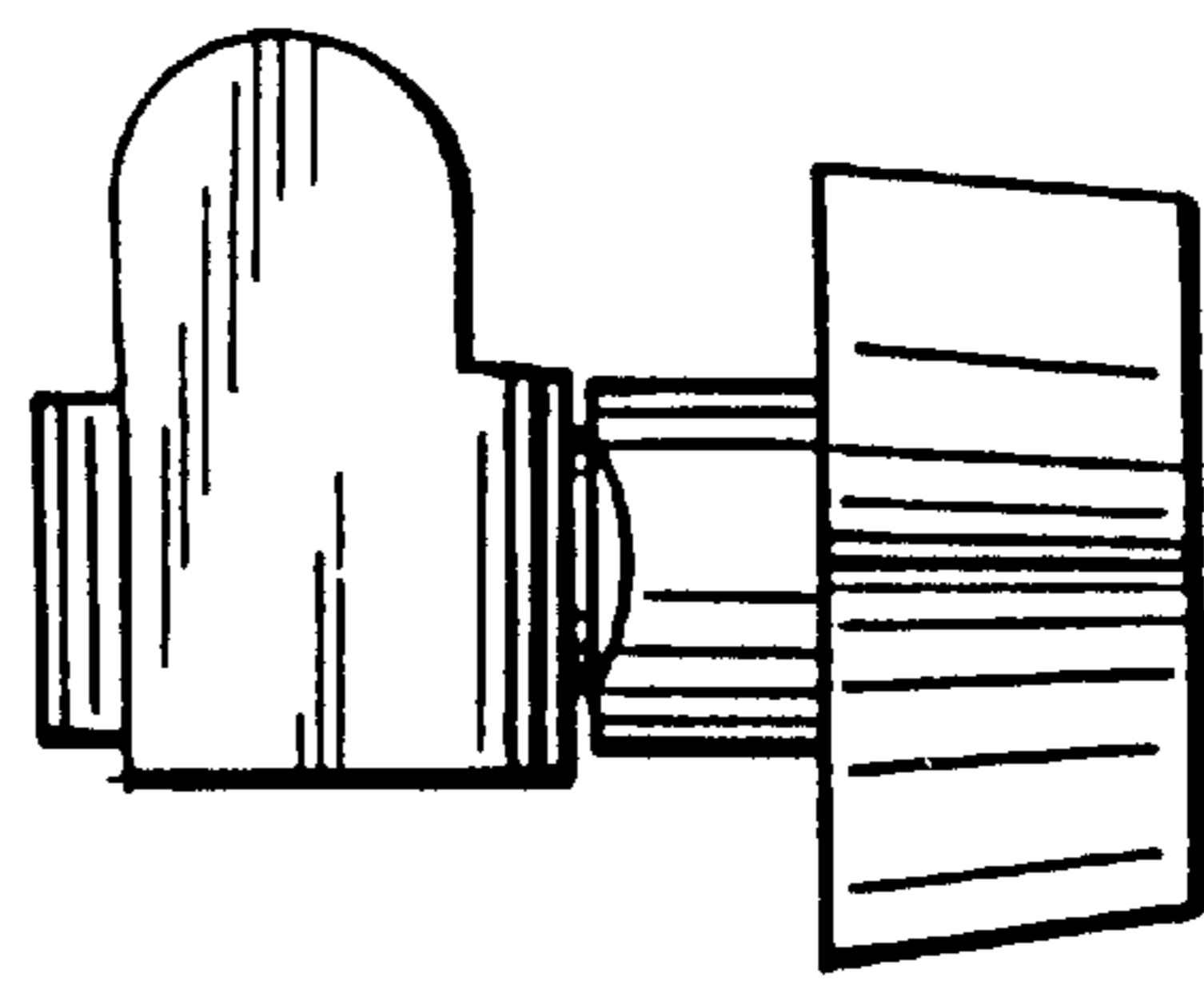


FIG. 5

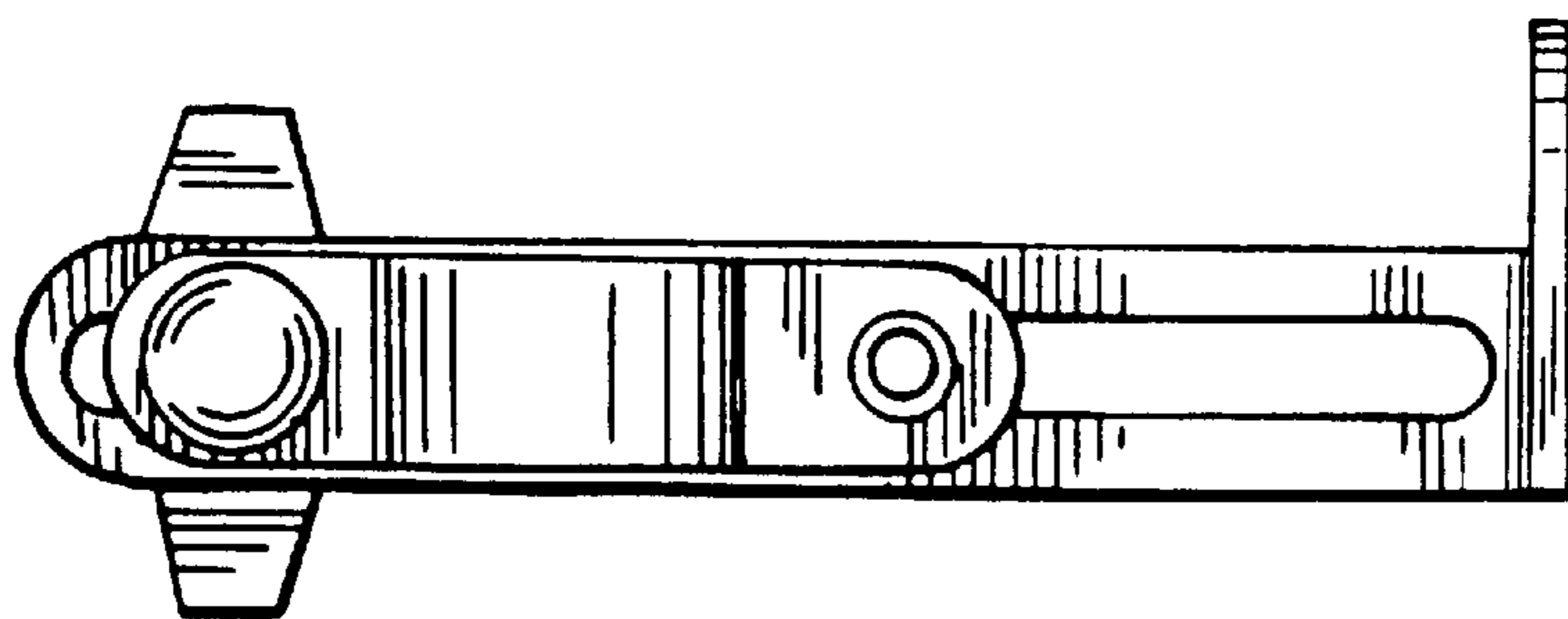


FIG. 6

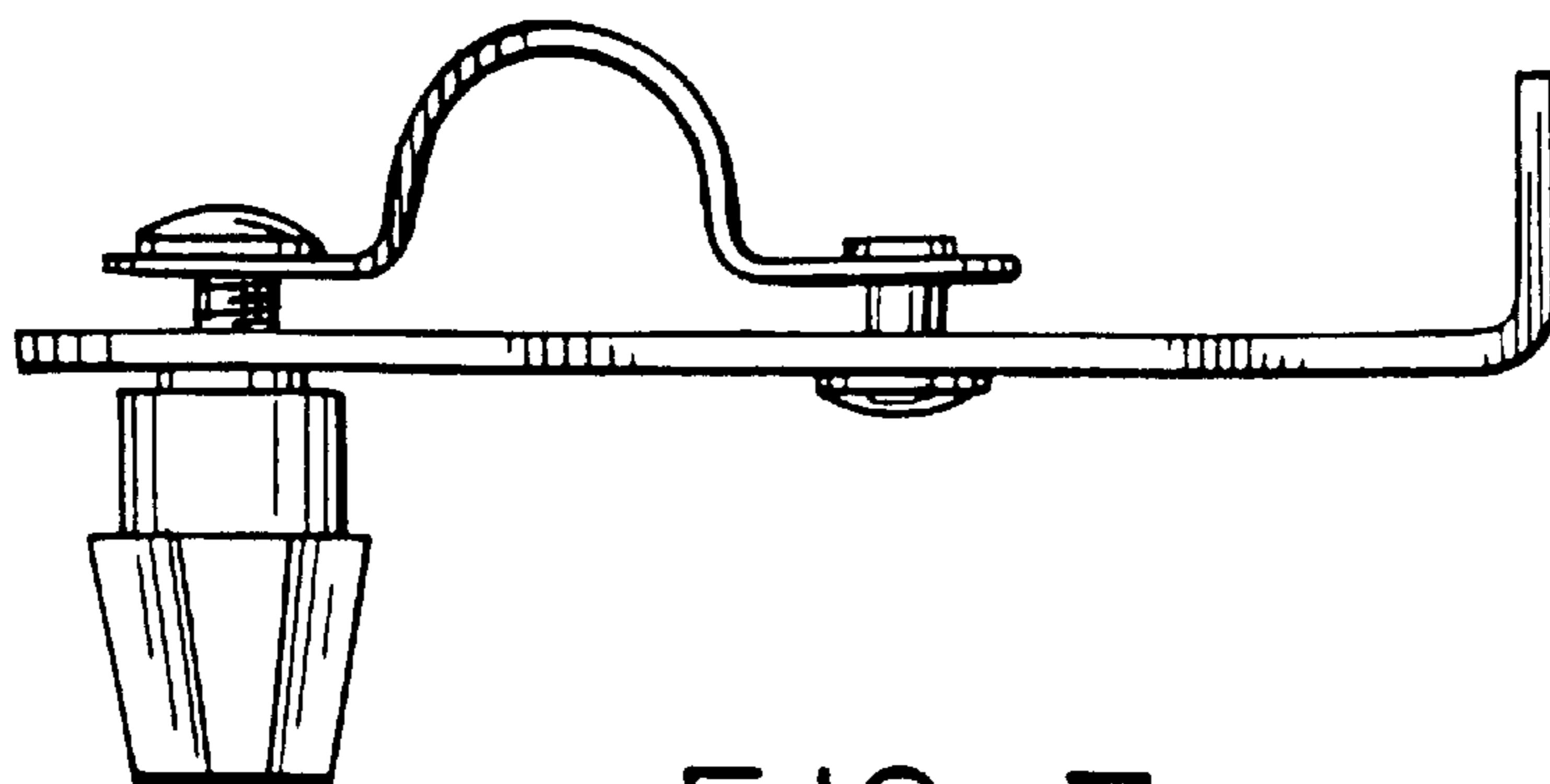


FIG. 7