



US00D404072S

United States Patent [19]

Ford et al.

[11] Patent Number: Des. 404,072

[45] Date of Patent: **Jan. 12, 1999

[54] GOLF BALL AND BUSINESS CARD HOLDER

[75] Inventors: Russell J. Ford; J. Russell Bryer, both of Jefferson, Ohio

[73] Assignee: Spring Team, Inc., Austinburg, Ohio

[**] Term: 14 Years

[21] Appl. No.: 76,213

[22] Filed: Sep. 8, 1997

[51] LOC (6) Cl. 19-02

[52] U.S. Cl. D19/86; D19/90; D6/313; D20/43

[58] Field of Search D6/313; D11/121; D20/43; D19/65, 75, 78, 86, 87, 90, 91, 95, 99, 100; 211/69.1-69.9, 181.1; 40/606, 659, 642.02; 248/229.26, 175, 475.1, 623; 5/246, 252, 256; 24/338

[56] References Cited

U.S. PATENT DOCUMENTS

D. 26,320	11/1896	Arkin	D19/86
D. 27,364	7/1897	Hill et al.	D20/43
D. 32,692	5/1900	Muth	D20/43
298,379	5/1884	Heysinger	211/69.8
572,581	12/1896	Stables	5/252
2,533,127	12/1950	MacFarlane	24/338 X
2,577,373	12/1951	Smith	5/256 X
3,474,555	10/1969	McCaffrey	40/659

Primary Examiner—Martie K. Holtje
Attorney, Agent, or Firm—Renner, Otto, Boisselie & Sklar, P.L.L.

[57] CLAIM

The ornamental design for a golf ball and business card holder, as shown and described.

DESCRIPTION

FIG. 1 is a perspective view of one form of a golf ball and business card holder in accordance with this invention as seen from the left front;

FIG. 2 is a side elevation view of FIG. 1 as viewed from the right side, the left side being substantially a mirror image;

FIG. 3 is a top plan view of FIG. 1;

FIG. 4 is a bottom plan view of FIG. 1;

FIG. 5 is a perspective view of another form of a golf ball and business card holder in accordance with this invention as viewed from the left front;

FIG. 6 is a side elevation view of FIG. 5 as viewed from the right side;

FIG. 7 is a side elevation view of FIG. 5 as viewed from the left side;

FIG. 8 is a front elevation view of FIG. 5;

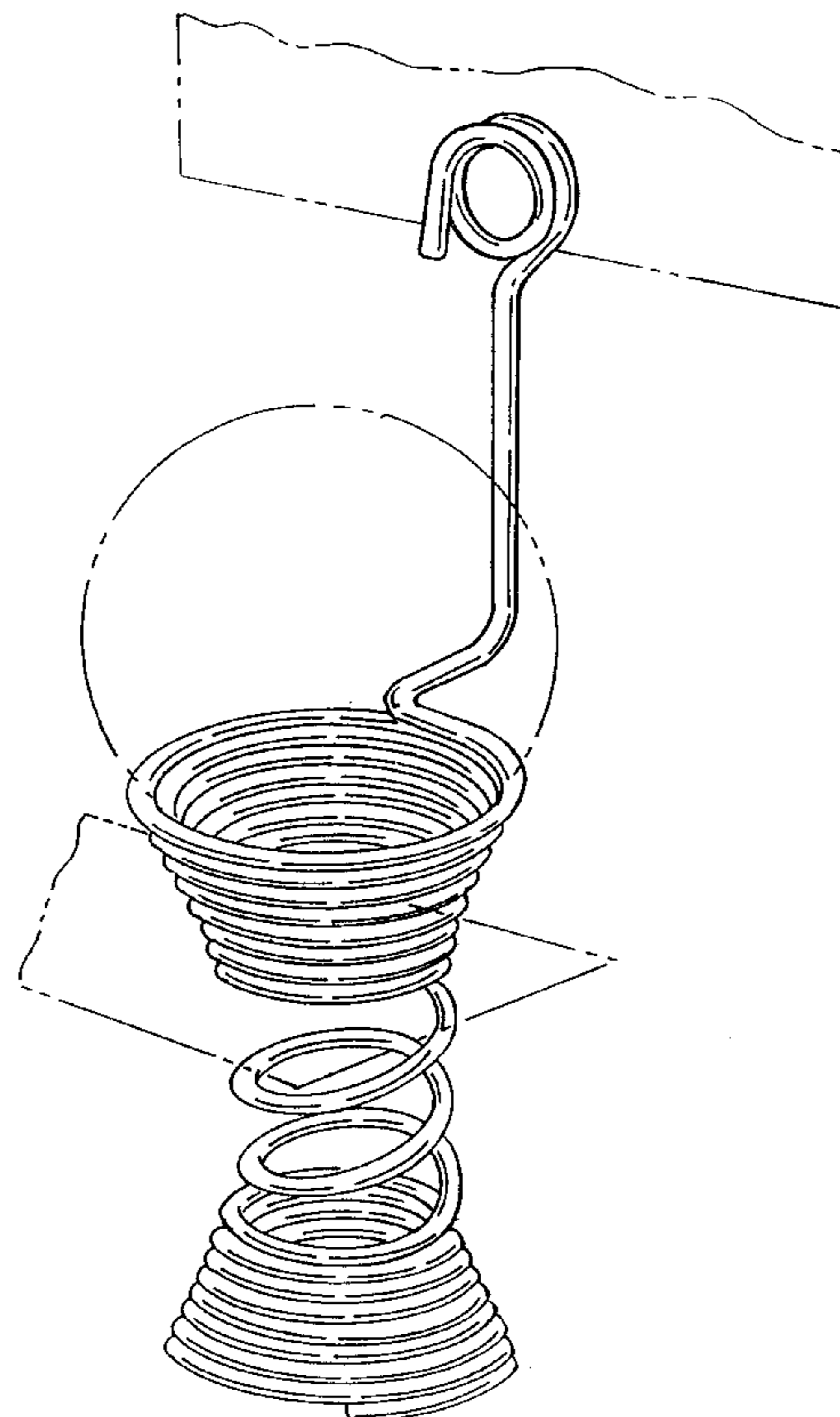
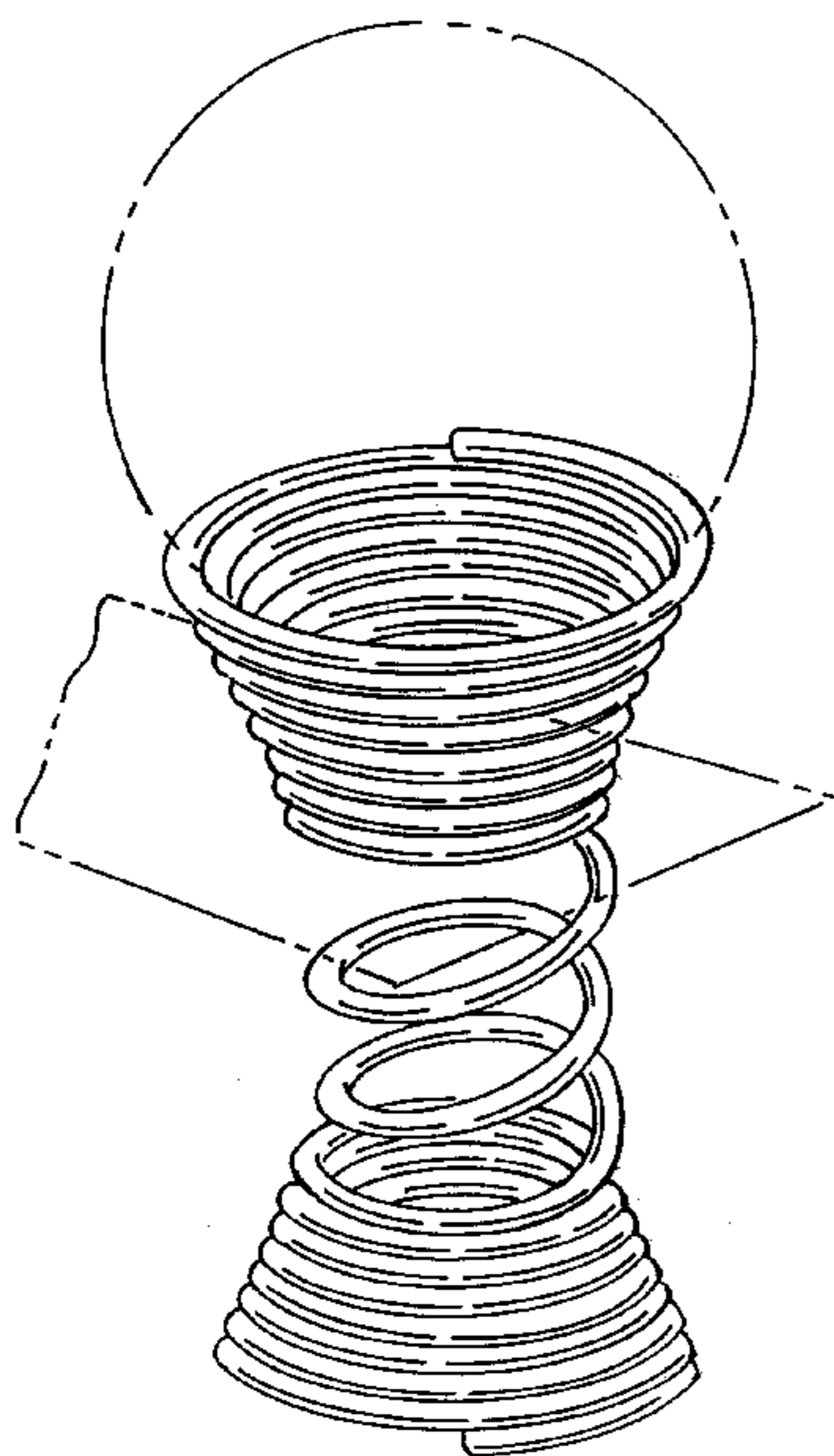
FIG. 9 is a rear elevation view of FIG. 5;

FIG. 10 is a top plan view of FIG. 5; and,

FIG. 11 is a bottom plan view of FIG. 5.

The broken line showing of a golf ball and business cards in FIGS. 1 and 5 is for illustrative purposes only and forms no part of the claimed design.

1 Claim, 3 Drawing Sheets



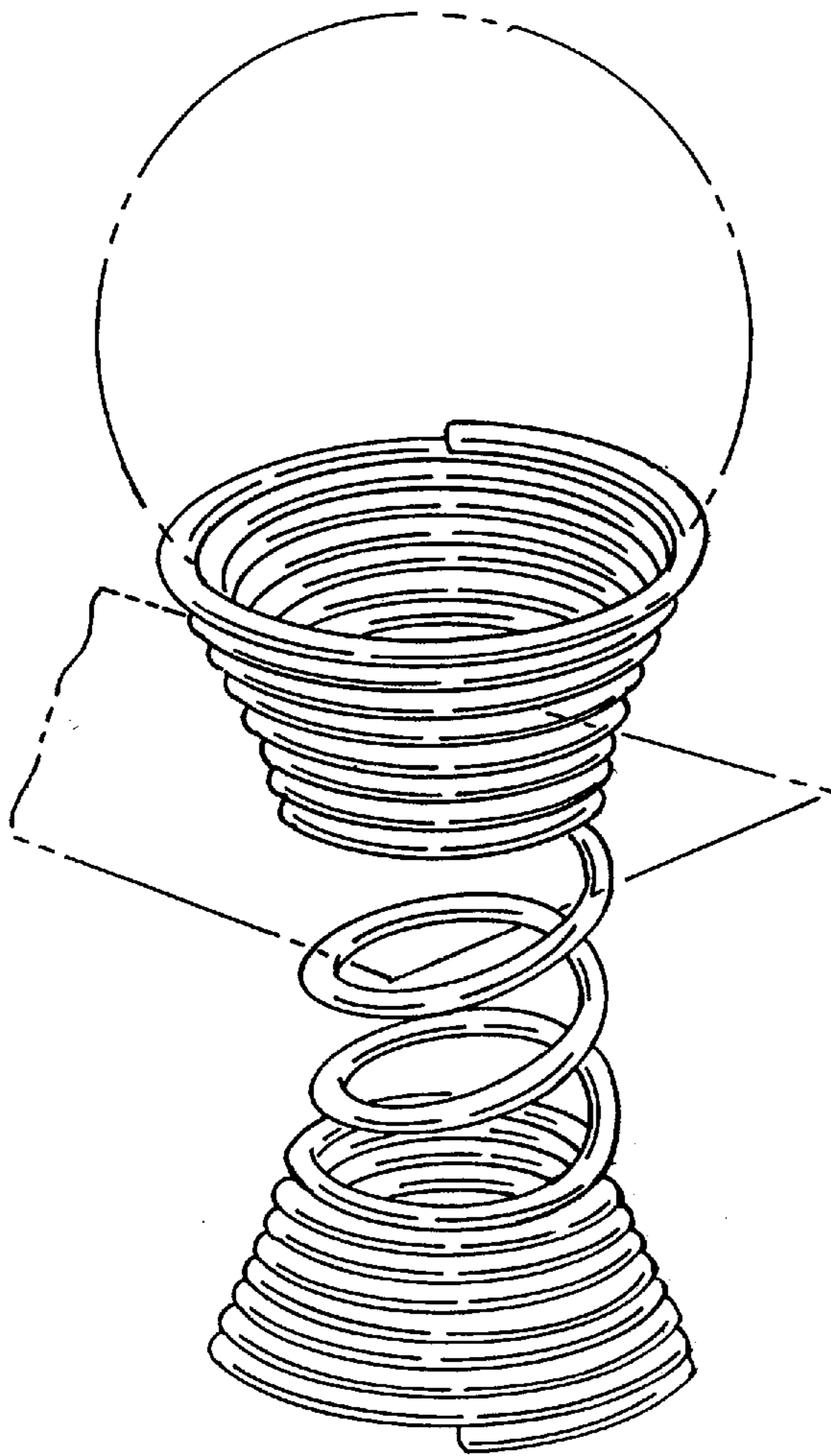


FIG. 1

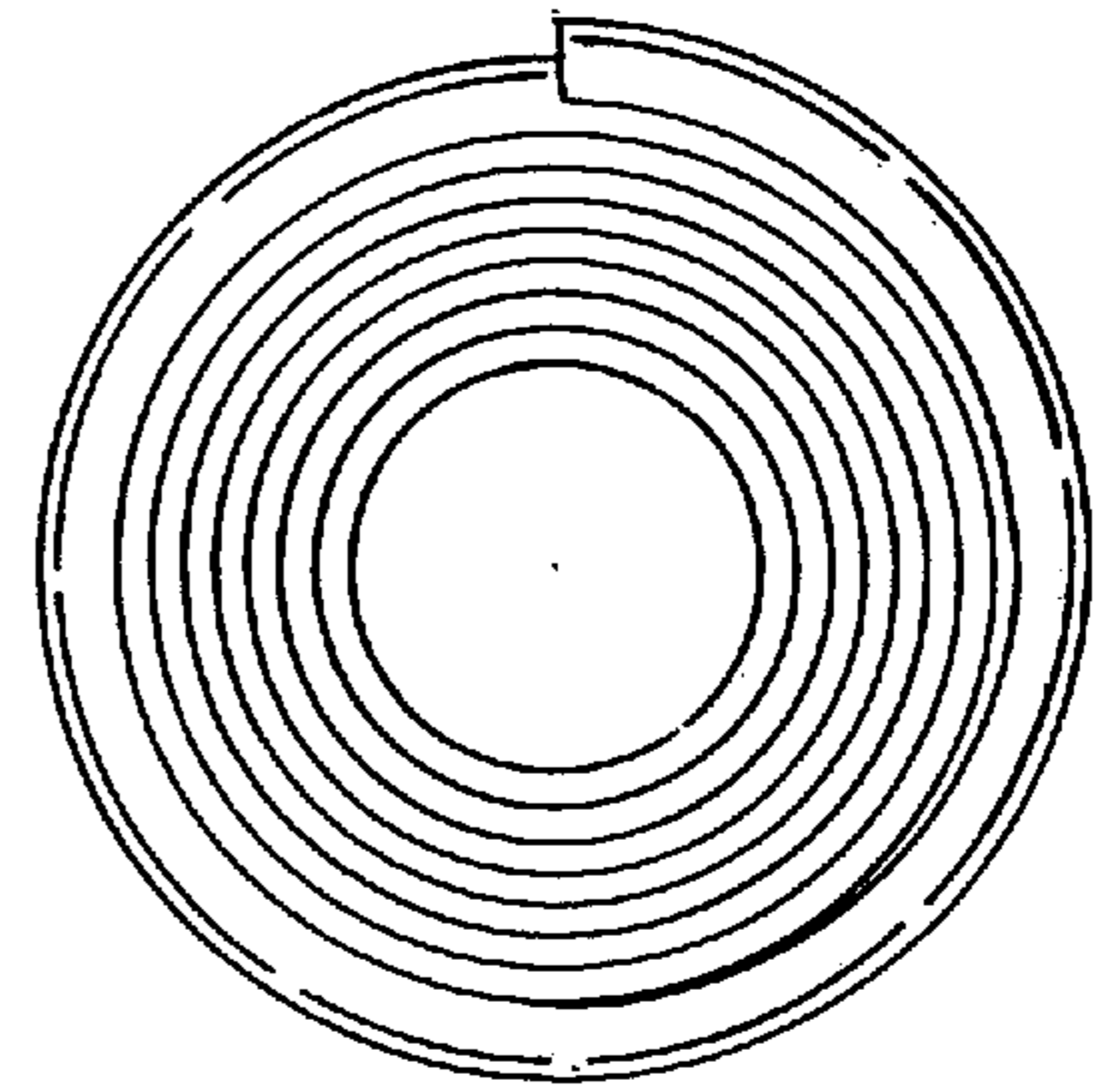


FIG. 3

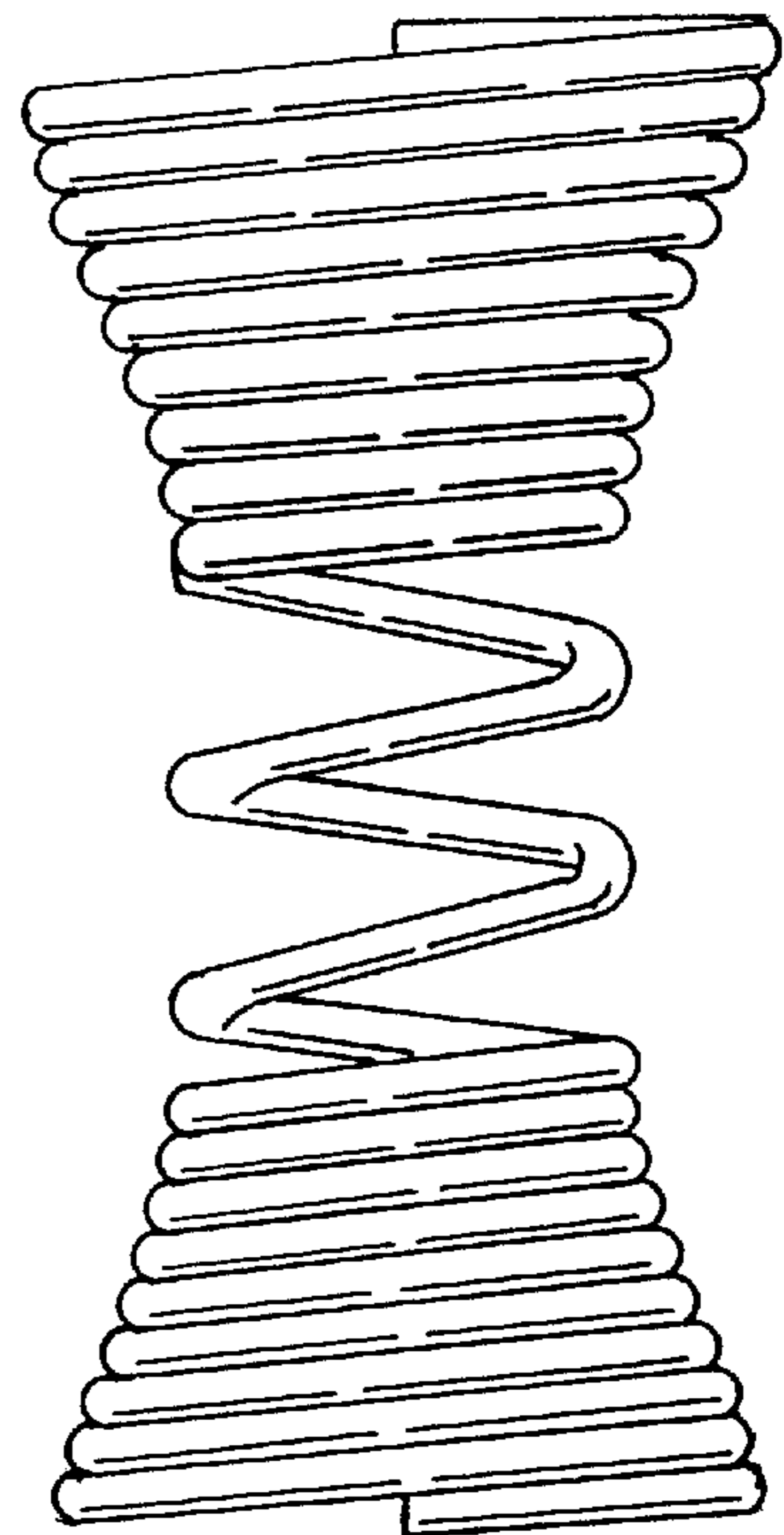


FIG. 2

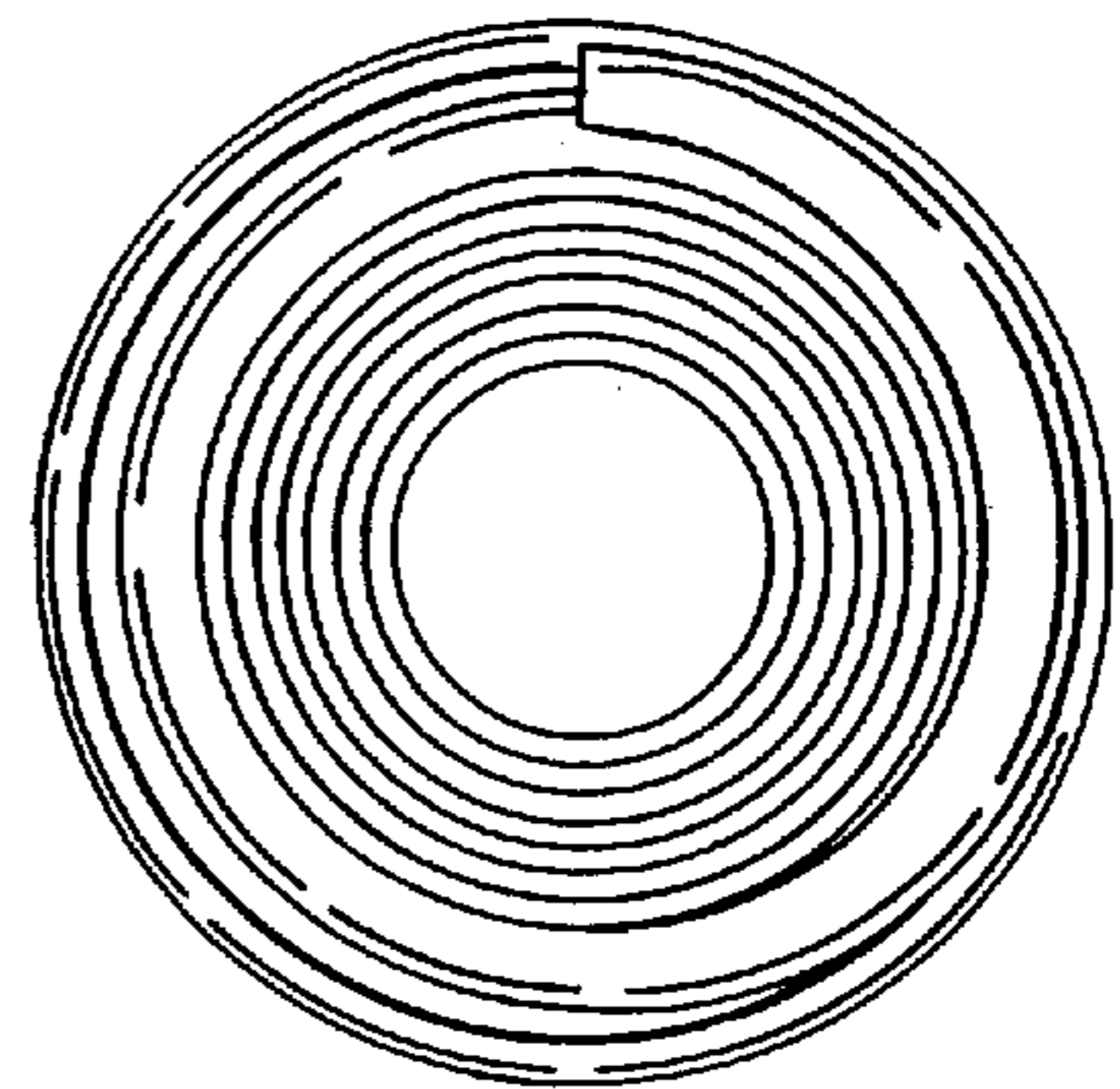


FIG. 4

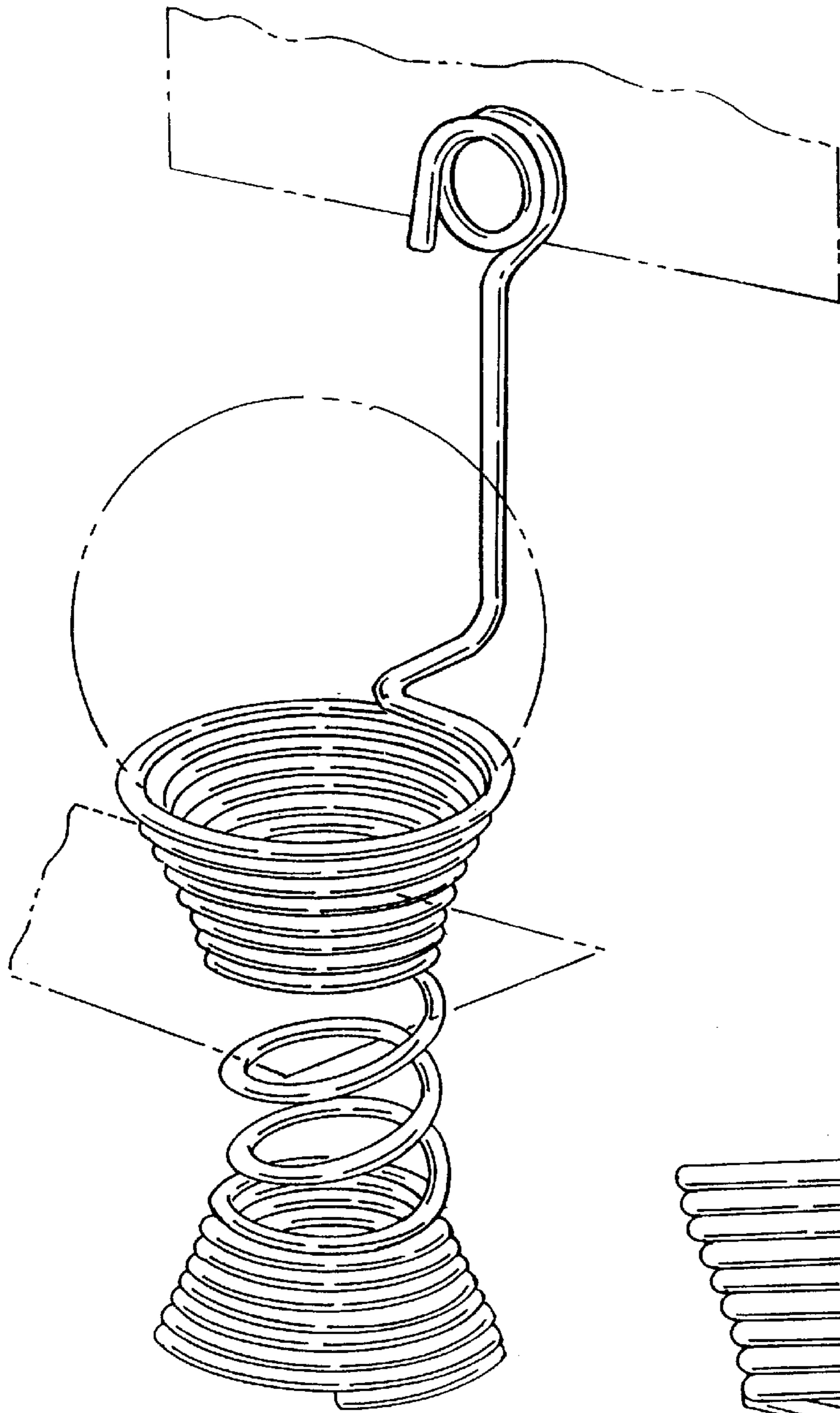


FIG. 5

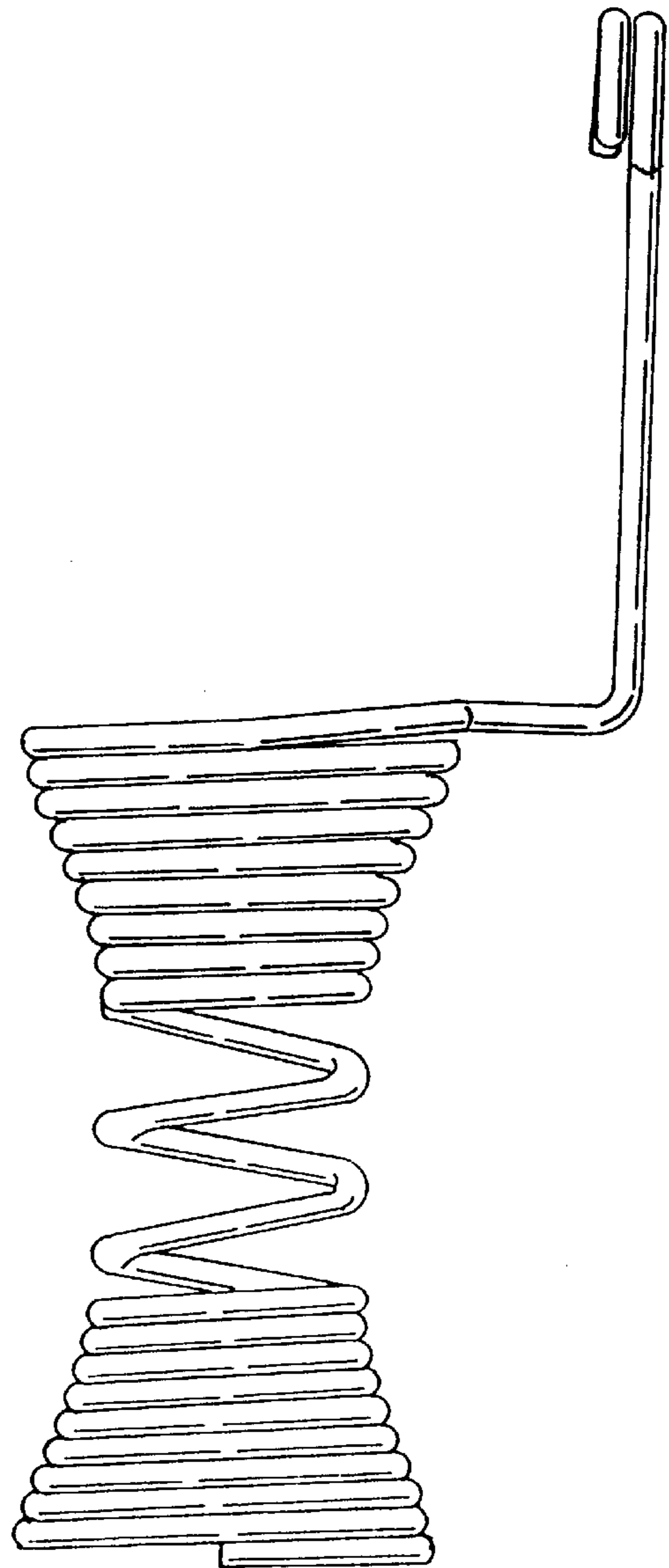


FIG. 6

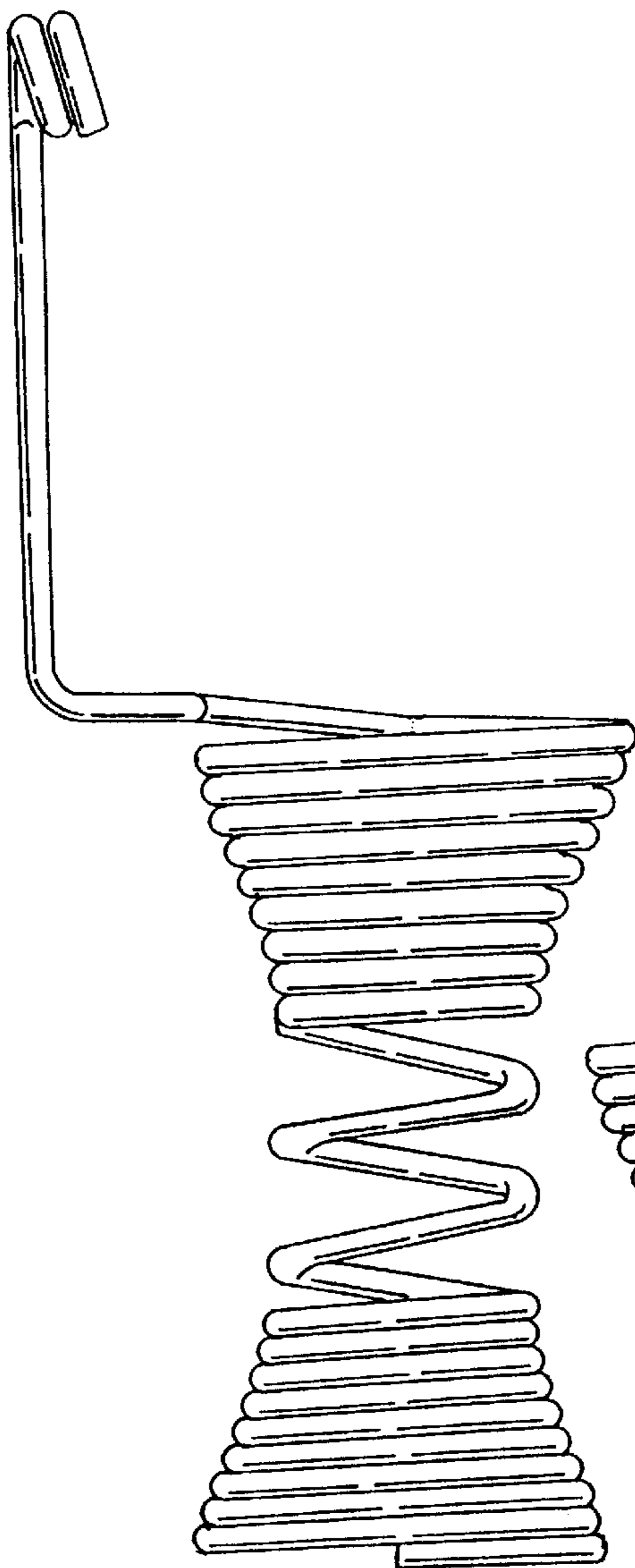


FIG. 7

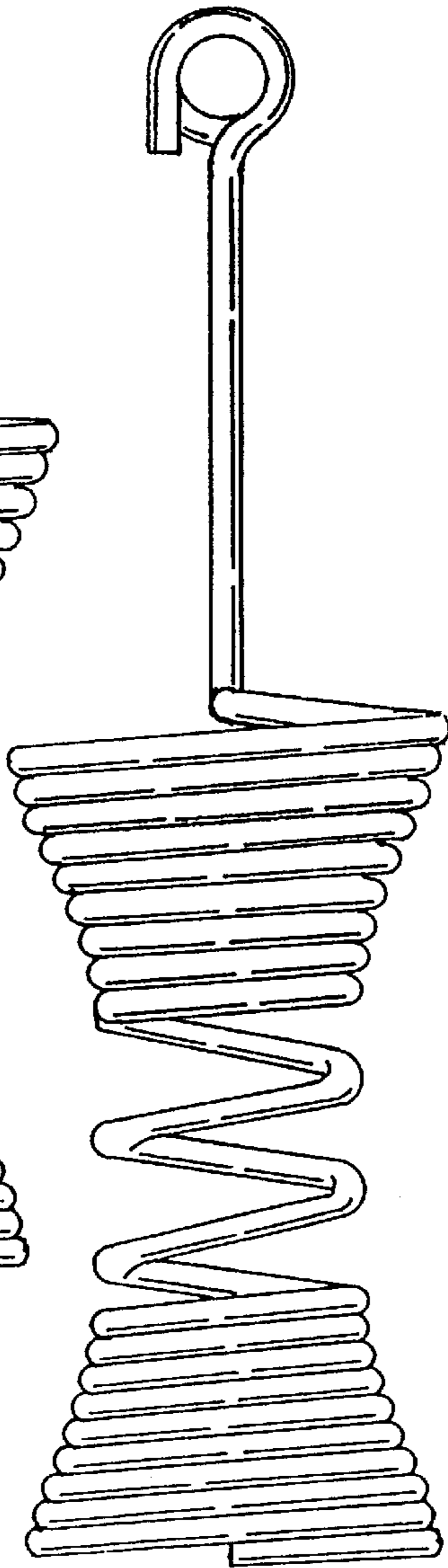


FIG. 8

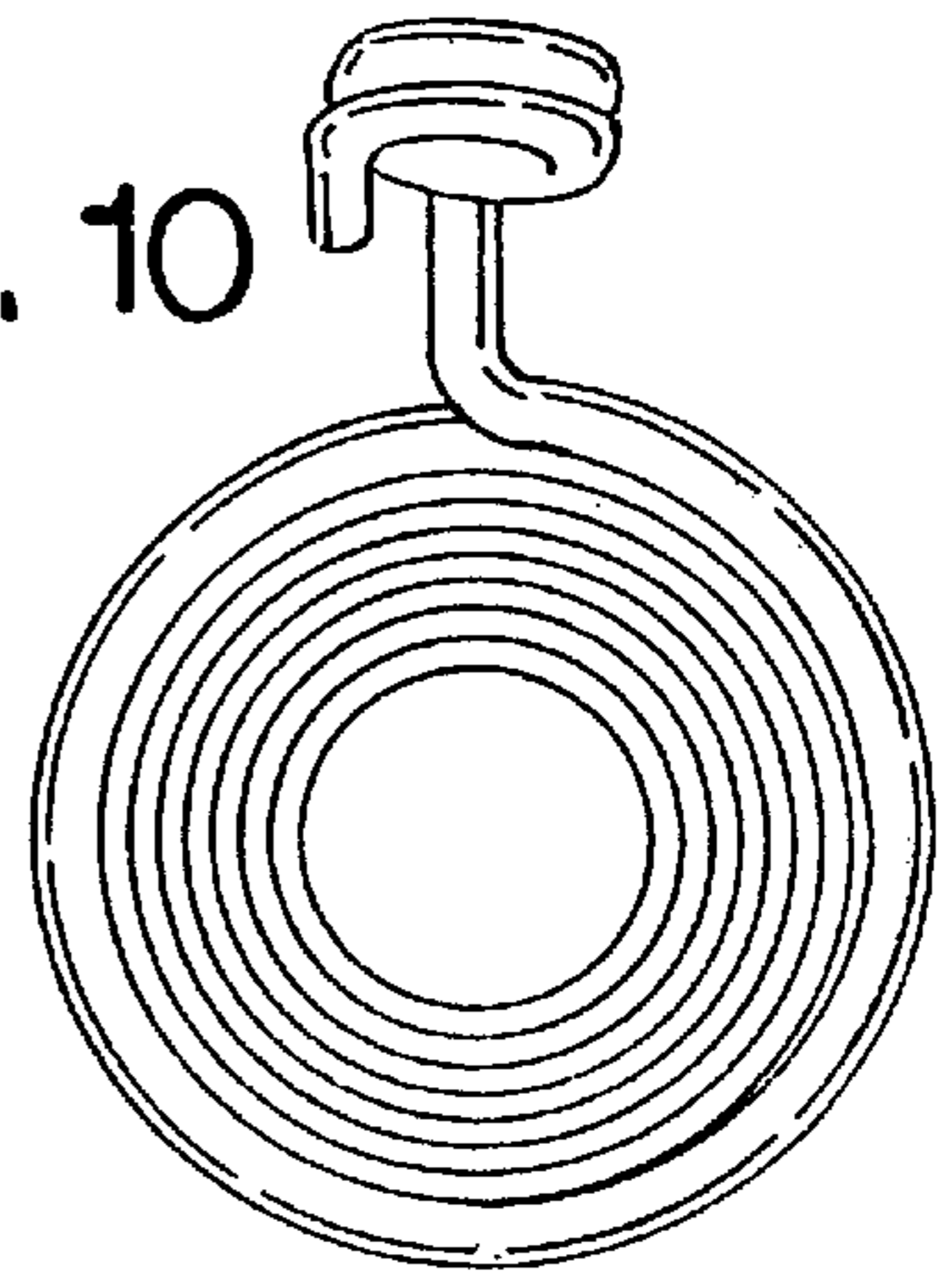


FIG. 10

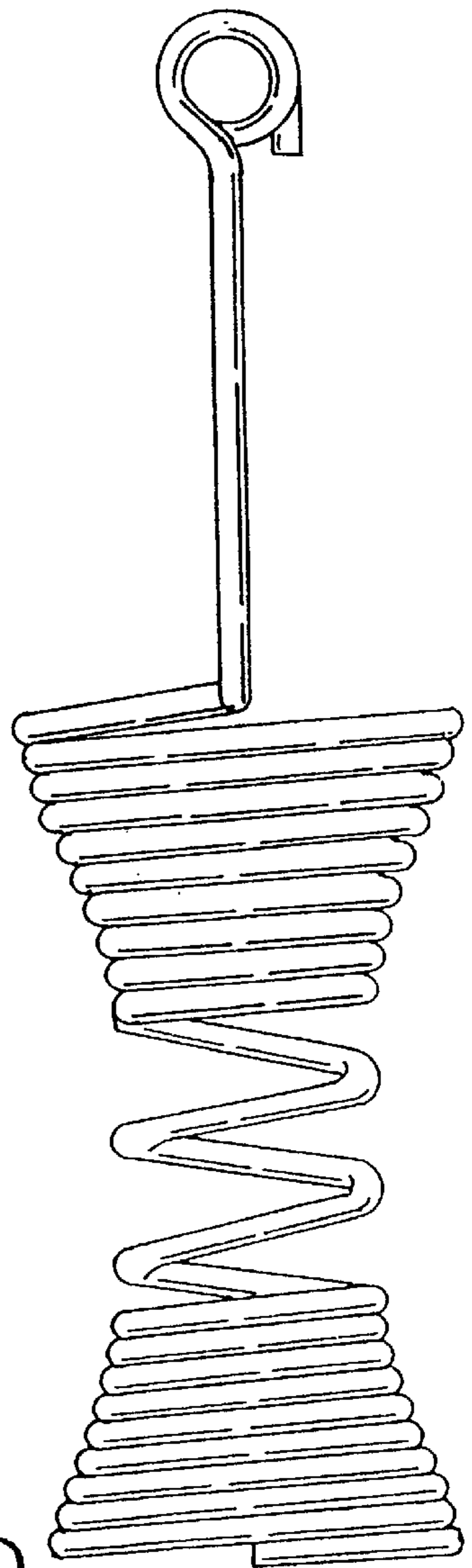


FIG. 9

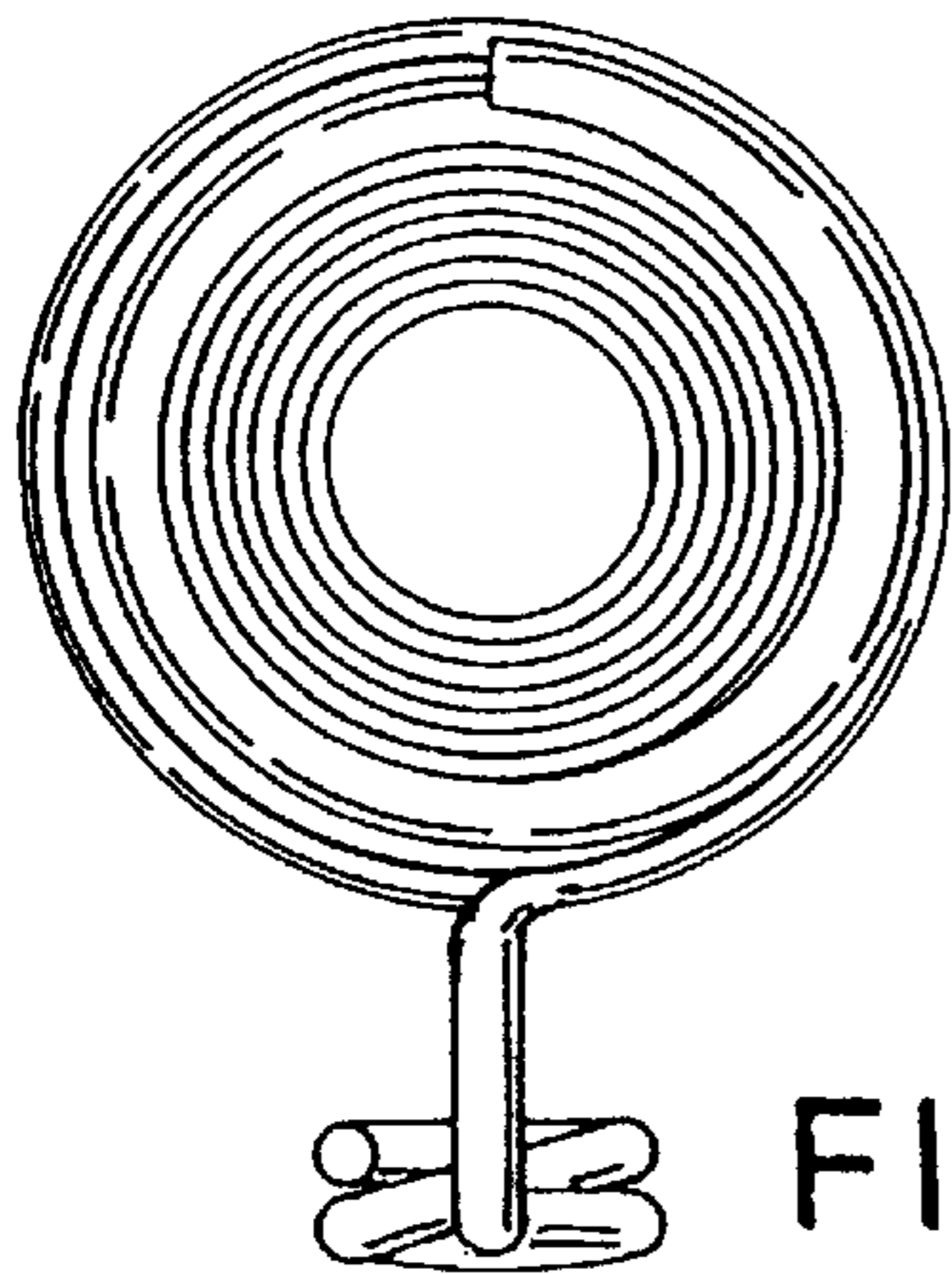


FIG. 11