



US00D404064S

United States Patent [19]
Nakamura

[11] **Patent Number: Des. 404,064**

[45] **Date of Patent: **Jan. 12, 1999**

[54] **SORTER FOR COPYING MACHINE**

[75] Inventor: **Hiroko Nakamura**, Yokohama, Japan

[73] Assignee: **Fuji Xerox Co., Ltd.**, Tokyo, Japan

[**] Term: **14 Years**

[21] Appl. No.: **81,264**

[22] Filed: **Dec. 29, 1997**

[30] **Foreign Application Priority Data**

Jul. 11, 1997 [JP] Japan 9-61099

[51] **LOC (6) Cl.** **18-99**

[52] **U.S. Cl.** **D18/48**

[58] **Field of Search** D18/36-40, 46-49;
399/361, 367, 369; 271/3.14, 8.1, 278,
279, 287

[56] **References Cited**

U.S. PATENT DOCUMENTS

D. 266,523 10/1982 Yasutani et al. D18/48

Primary Examiner—Caron D. Veynar
Attorney, Agent, or Firm—Oliff & Berridge, PLC

[57] **CLAIM**

The ornamental design for a sorter for copying machine, as shown and described.

DESCRIPTION

FIG. 1 is a perspective view of the top, front and right side of a sorter for copying machine showing my new design;

FIG. 2 is a front elevational view thereof;

FIG. 3 is a rear elevational view thereof;

FIG. 4 is a top plan view thereof;

FIG. 5 is a bottom view thereof;

FIG. 6 is a right side view thereof; and,

FIG. 7 is a left side view thereof.

1 Claim, 6 Drawing Sheets

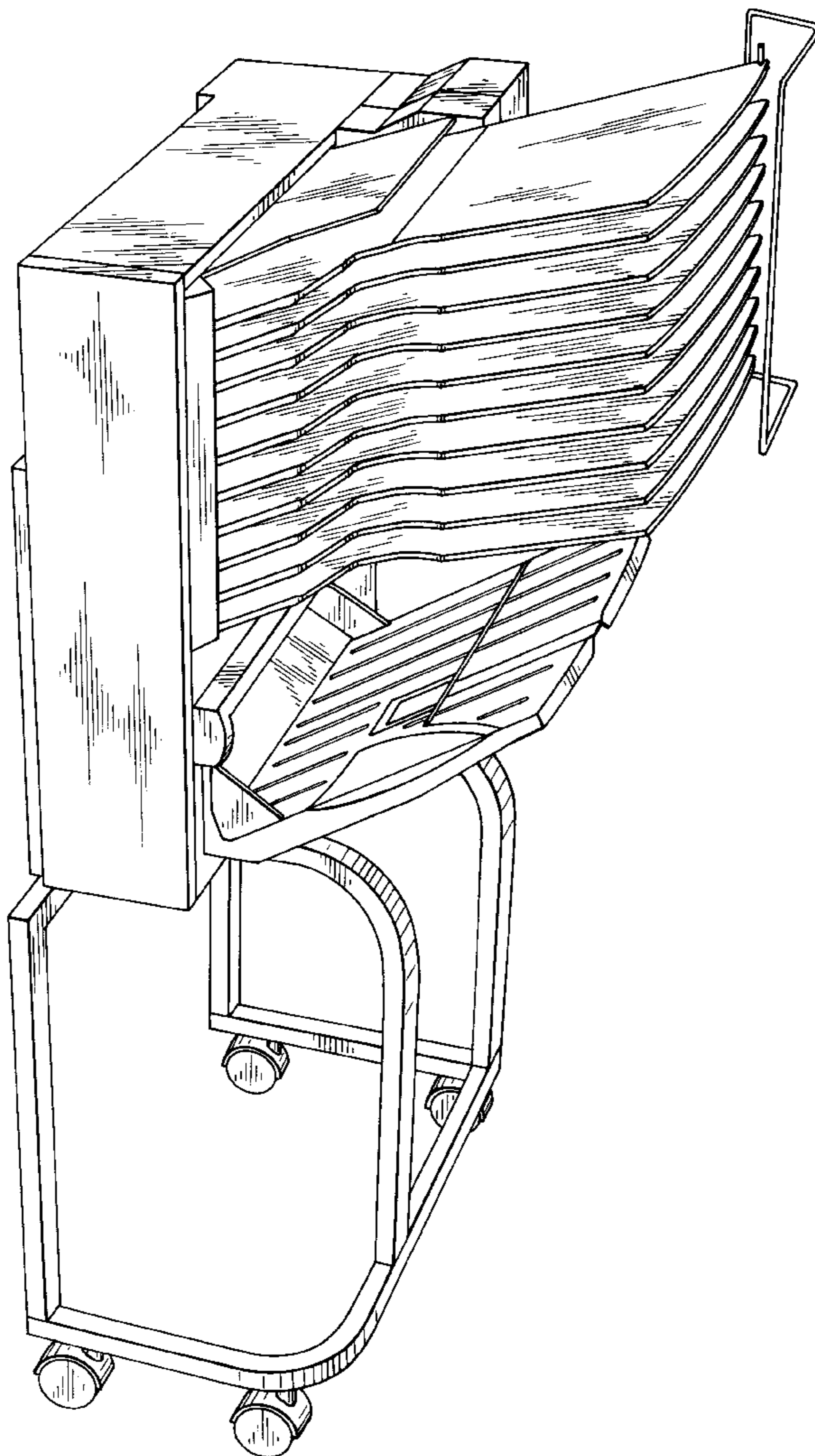


FIG. 1

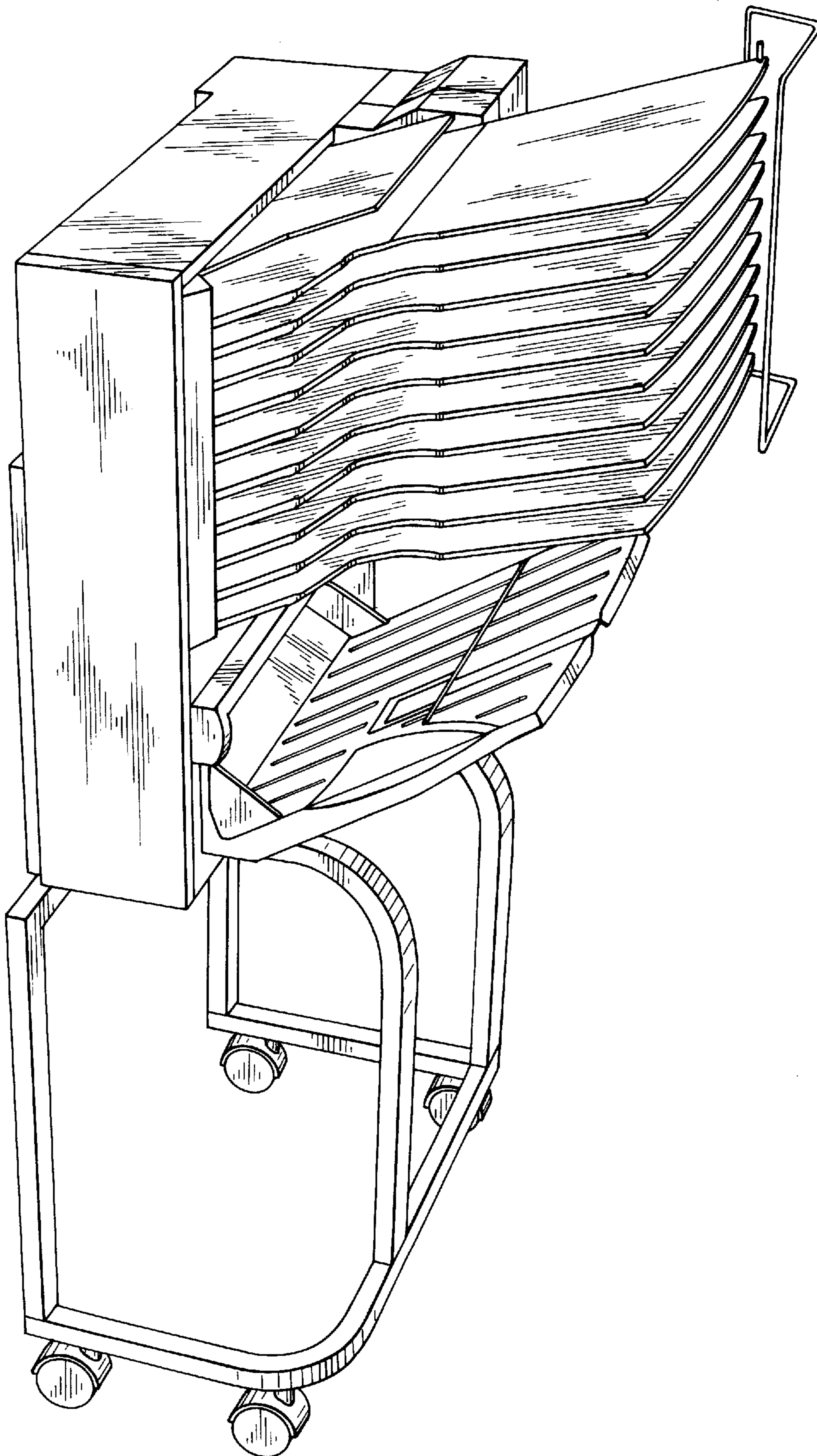


FIG. 2

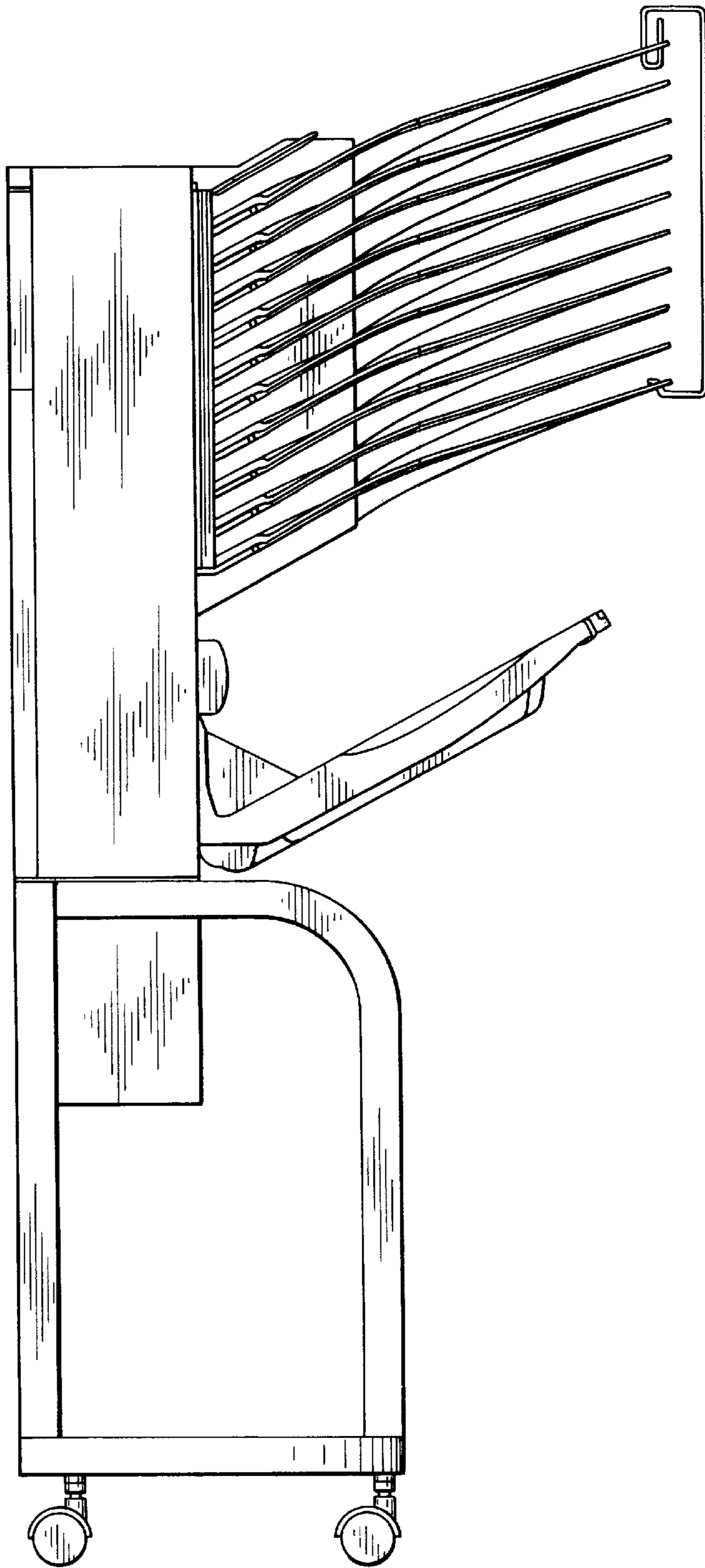


FIG. 3

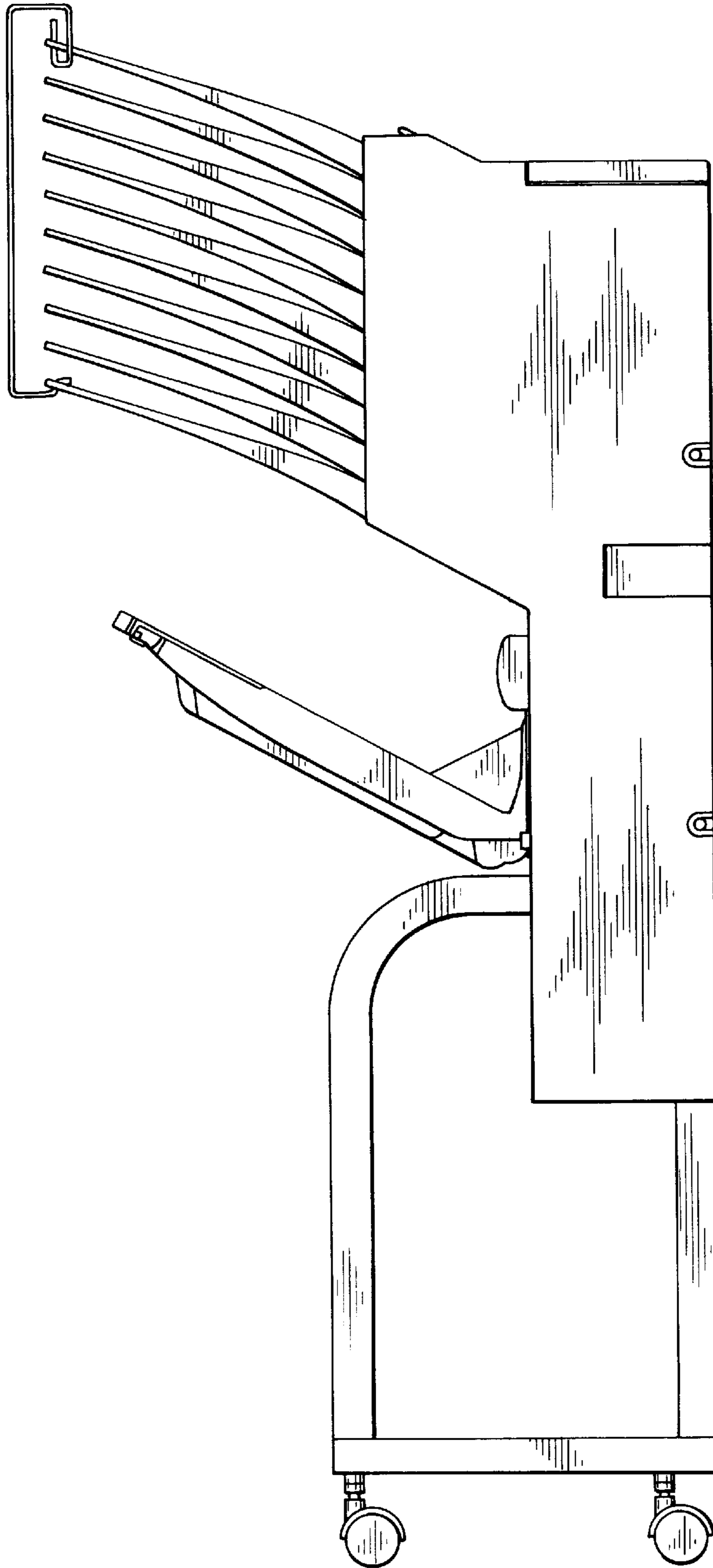


FIG. 4

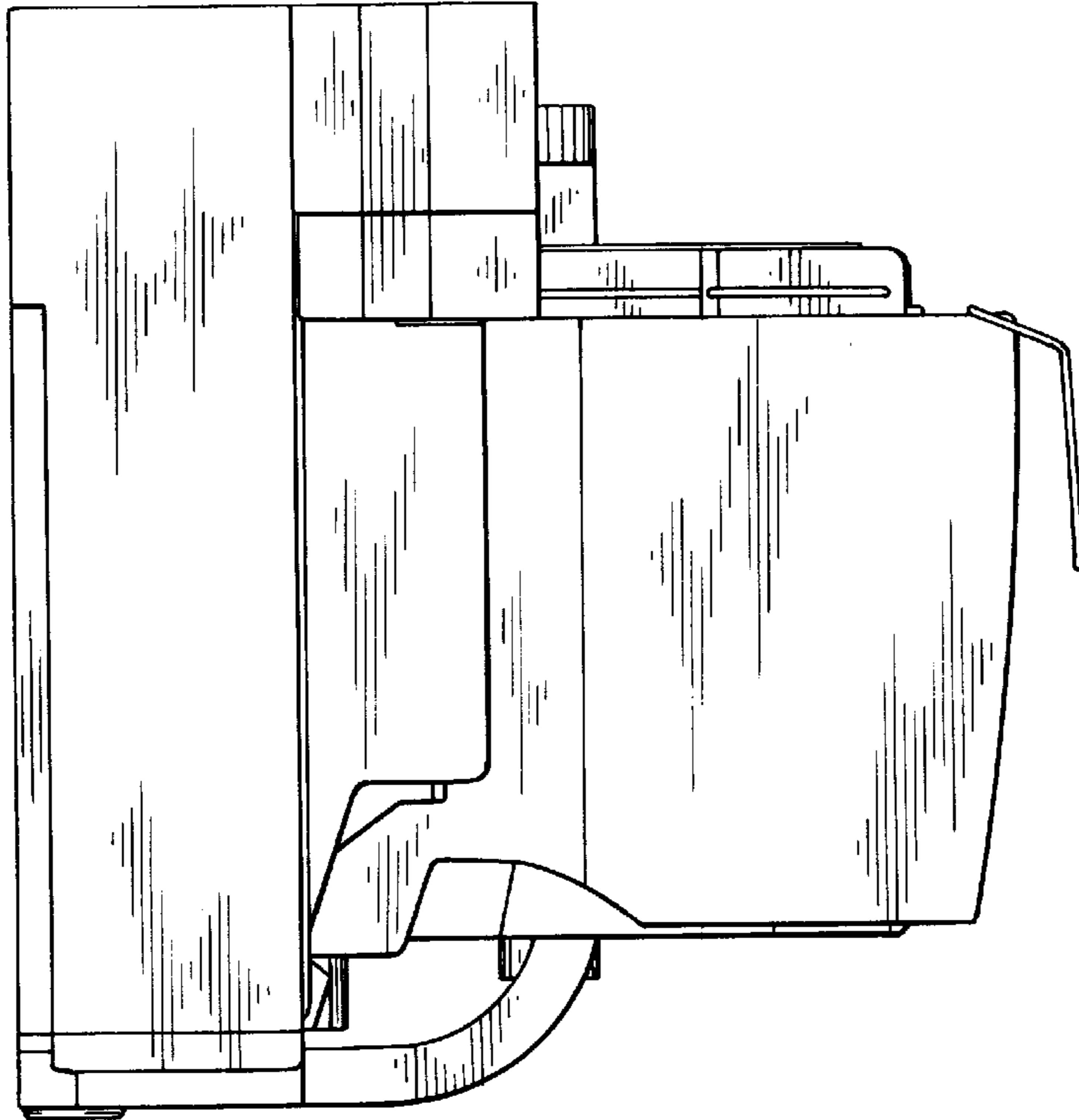


FIG. 5

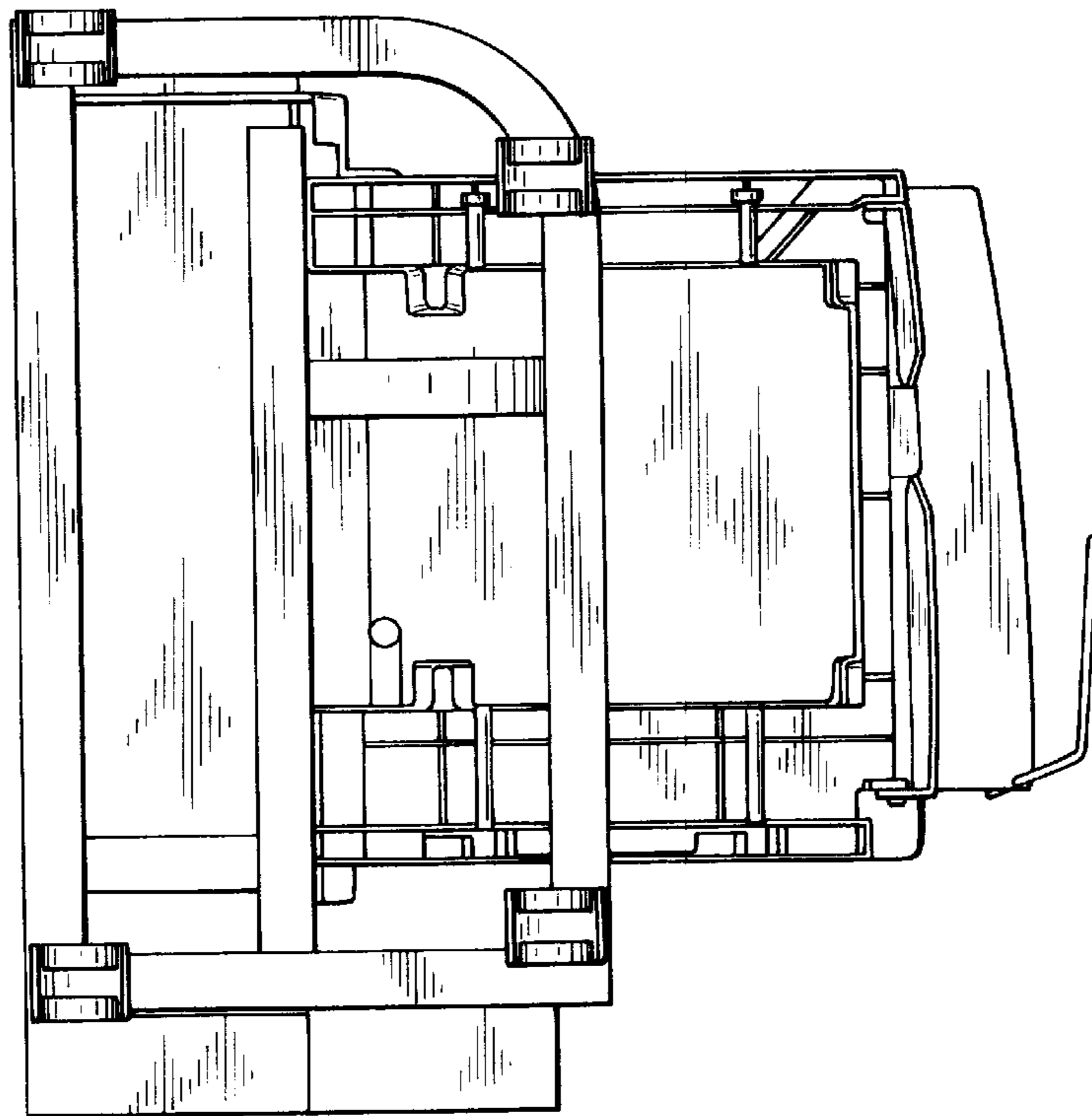


FIG. 6

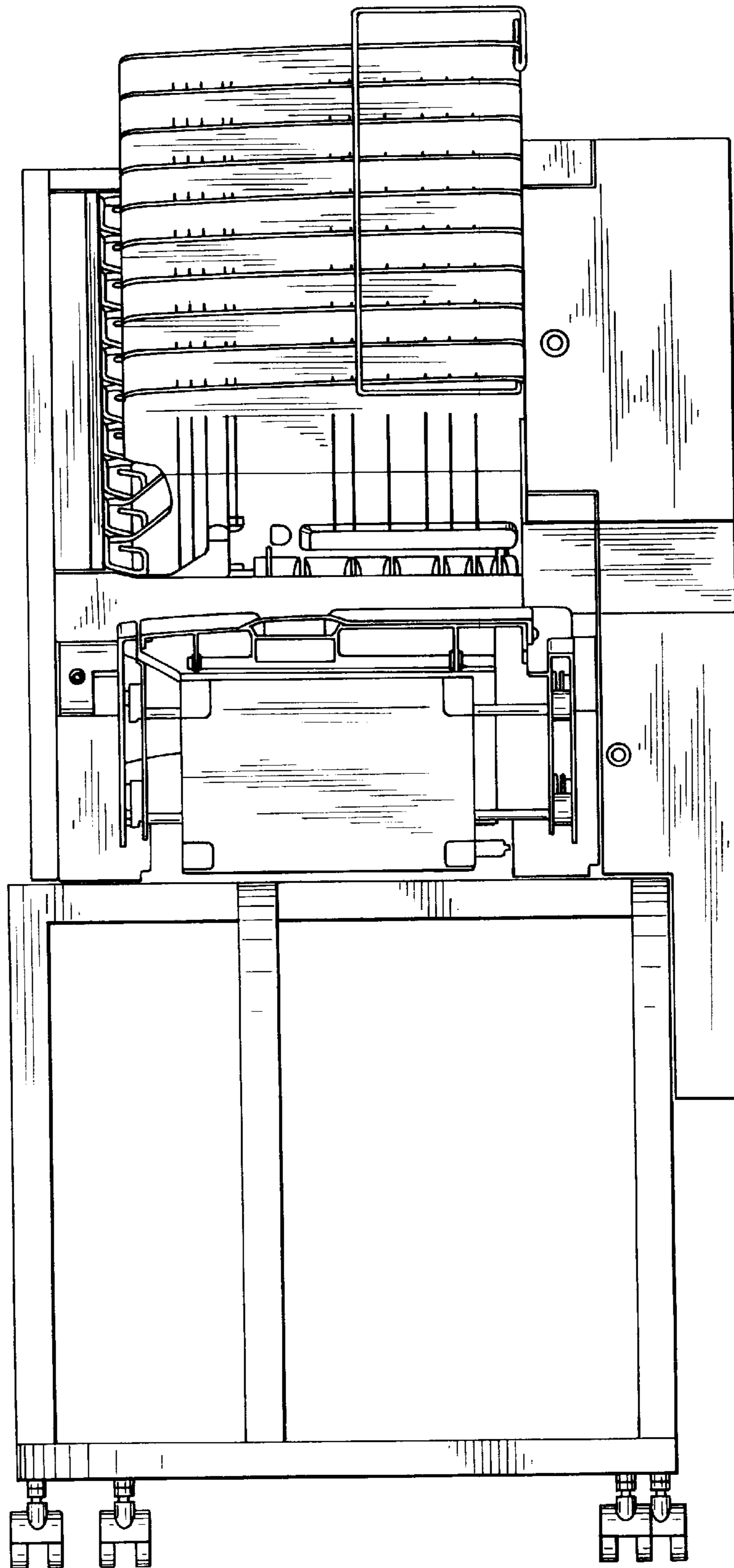


FIG. 7

