



US00D404063S

# United States Patent [19]

Komatsu et al.

[11] Patent Number: **Des. 404,063**

[45] Date of Patent: **\*\*Jan. 12, 1999**

[54] **TONER CONTAINER FOR COPYING MACHINE**

[75] Inventors: **Hiroshi Komatsu; Ken Wakatsuki,**  
both of Yokohama, Japan

[73] Assignee: **Canon Kabushiki Kaisha,** Tokyo,  
Japan

[\*\*] Term: **14 Years**

[21] Appl. No.: **80,159**

[22] Filed: **Oct. 20, 1997**

### Related U.S. Application Data

[63] Continuation of Ser. No. 53,103, Apr. 16, 1996, abandoned.

### [30] Foreign Application Priority Data

Oct. 20, 1995 [JP] Japan ..... 7-31628

[51] **LOC (6) Cl.** ..... **16-03**

[52] **U.S. Cl.** ..... **D18/43**

[58] **Field of Search** ..... D18/36, 40, 43,  
D18/56; 399/24, 25, 27, 28, 35, 61, 99,  
106, 224, 262; 222/DIG. 1

### [56] References Cited

#### U.S. PATENT DOCUMENTS

D. 312,269	11/1990	Komada et al.	.....	D18/43
D. 312,271	11/1990	Komada et al.	.....	D18/43
D. 333,833	3/1993	Yamamoto et al.	.....	D18/43
D. 346,179	4/1994	Haida	.....	D18/56
D. 353,615	12/1994	Agata et al.	.....	D18/43

*Primary Examiner*—Caron D. Veynar  
*Attorney, Agent, or Firm*—Fitzpatrick, Cella, Harper & Scinto

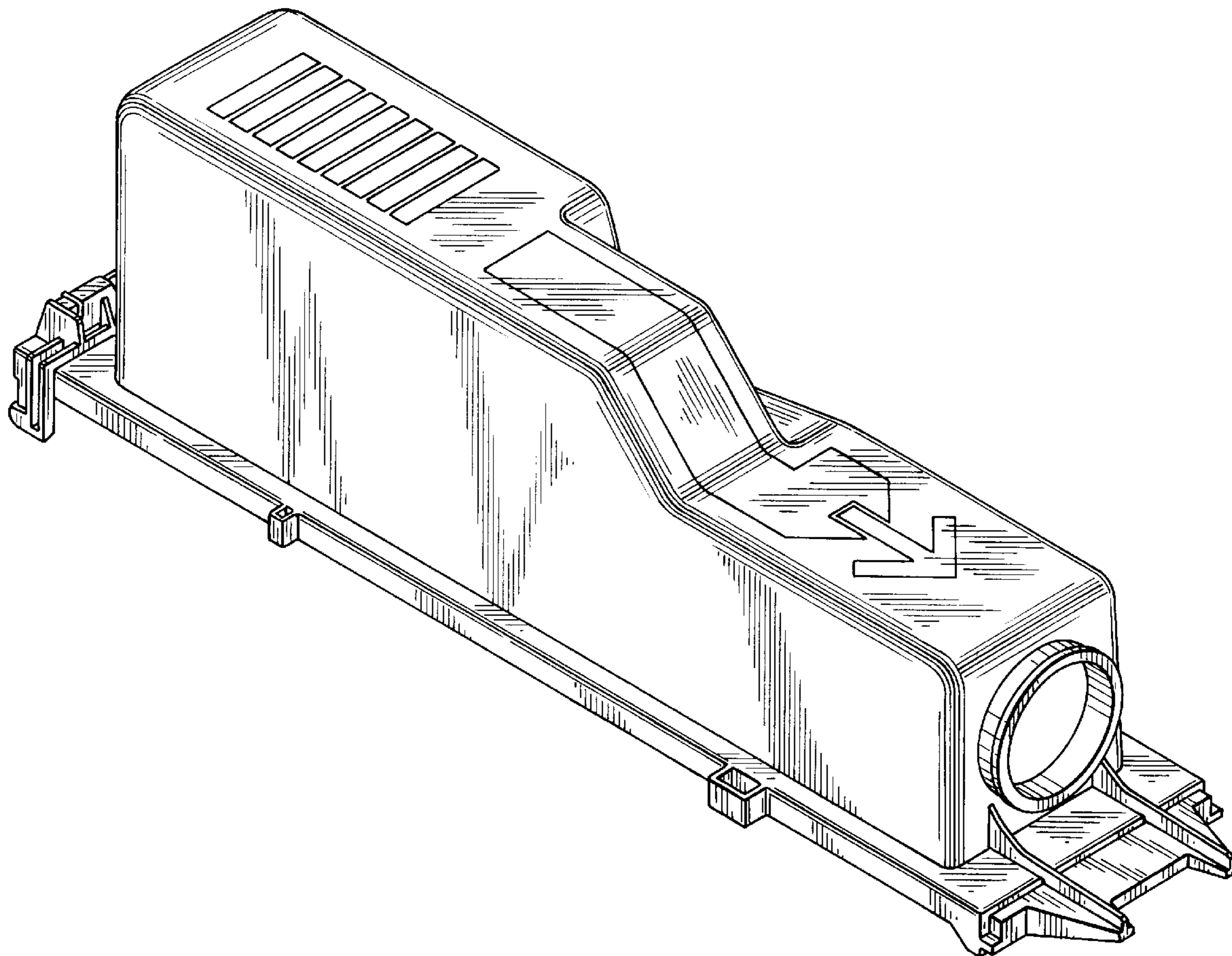
### [57] CLAIM

The ornamental design for a toner container for copying machine, as shown and described.

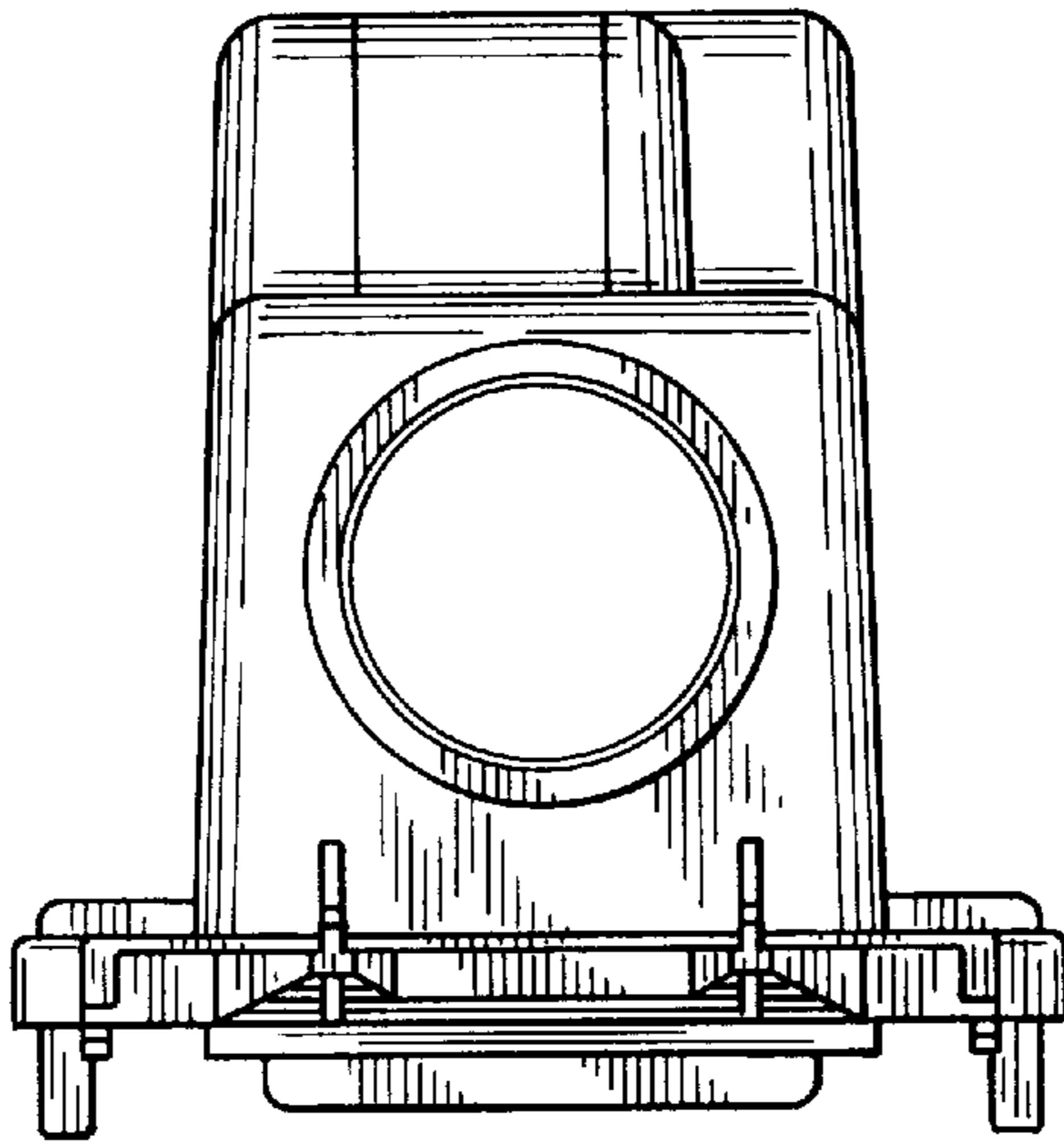
### DESCRIPTION

FIG. 1 is a front view of a toner container for copying machine showing our new design; FIG. 2 is a rear view thereof; FIG. 3 is a top plan view thereof; FIG. 4 is a bottom plan view thereof; FIG. 5 is a left side view thereof; FIG. 6 is a right side view thereof; and, FIG. 7 is a perspective view thereof.

**1 Claim, 4 Drawing Sheets**



*FIG. 1*



*FIG. 2*

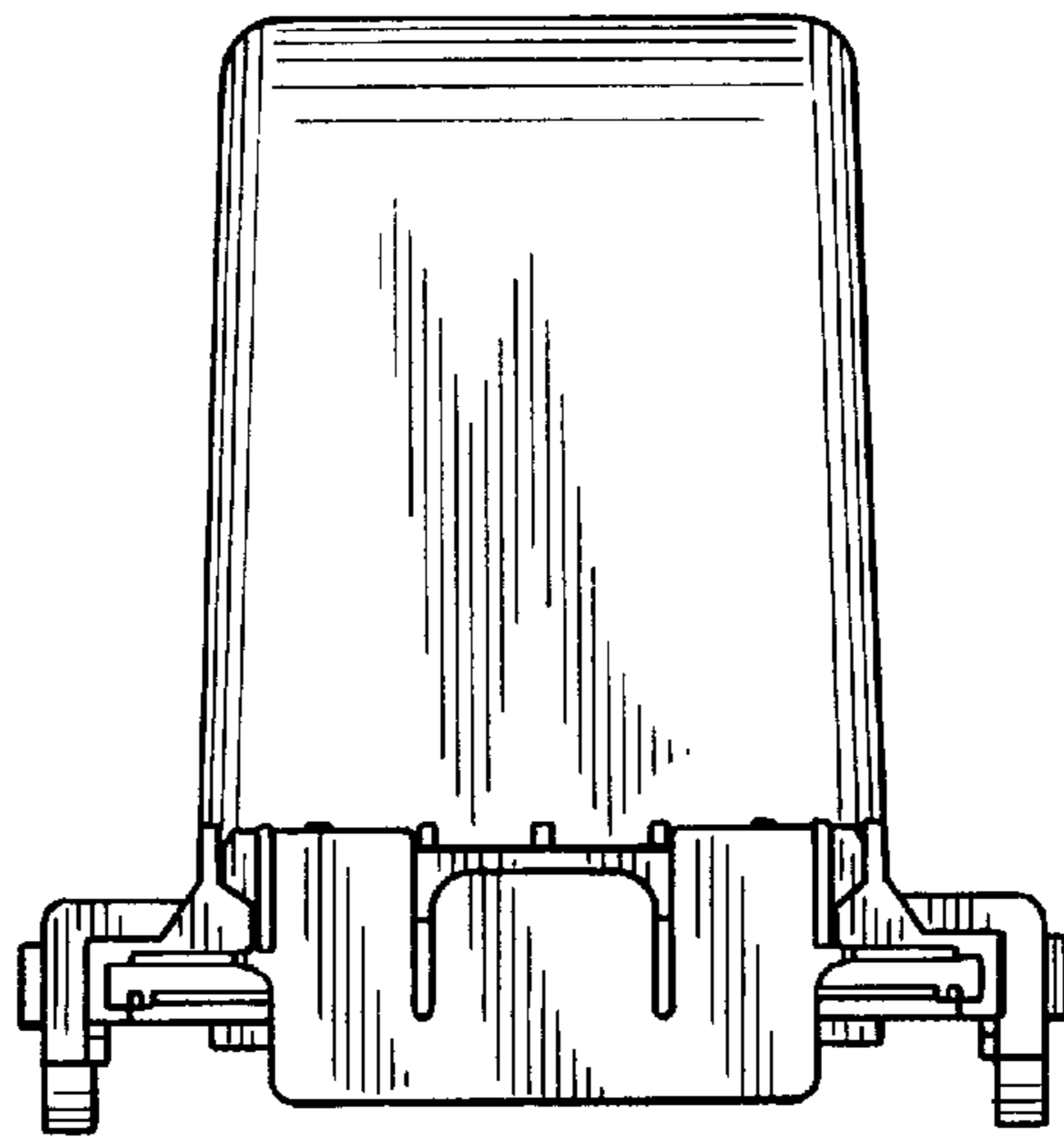


FIG. 3

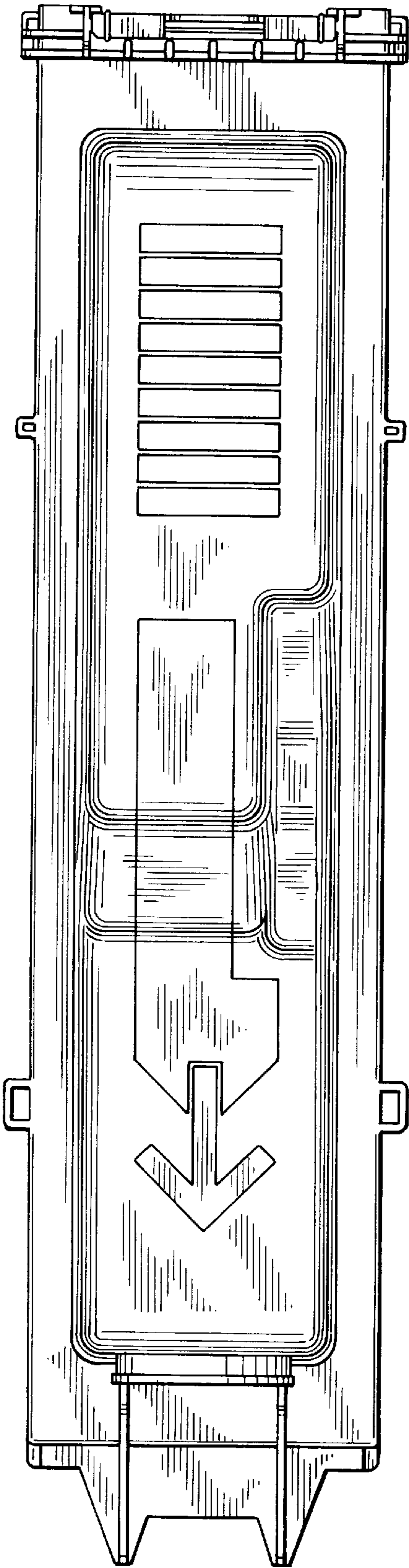
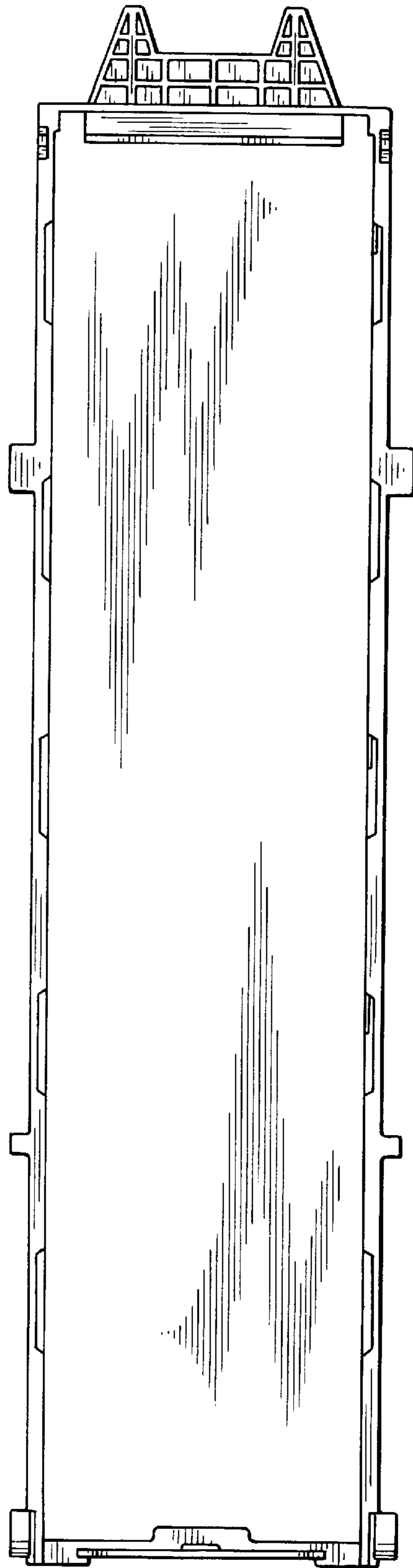


FIG. 4



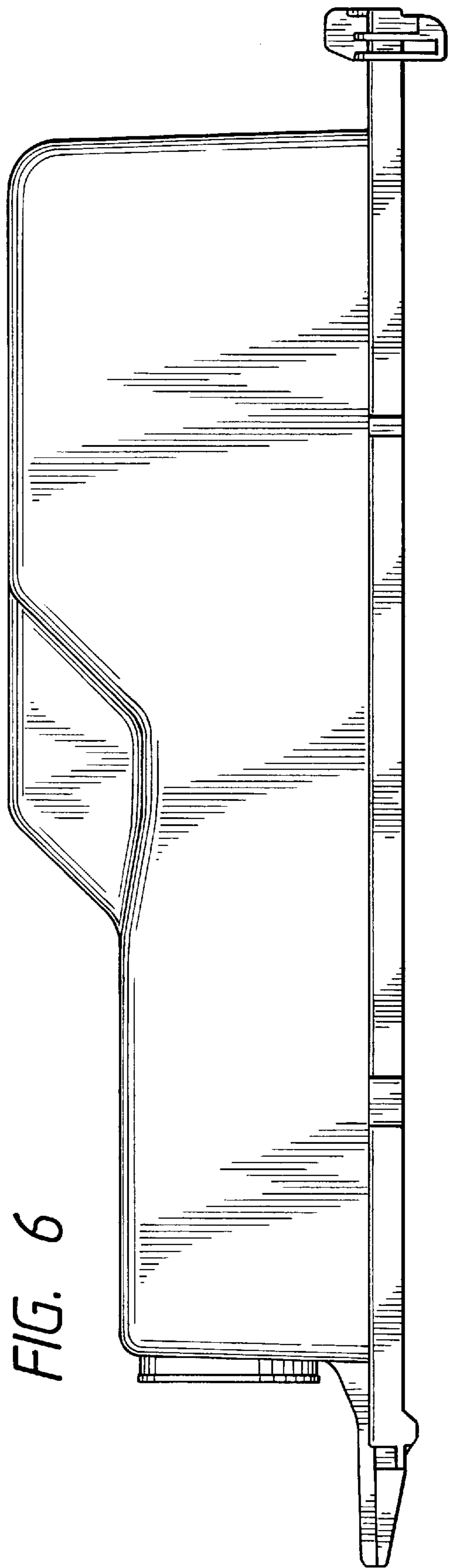
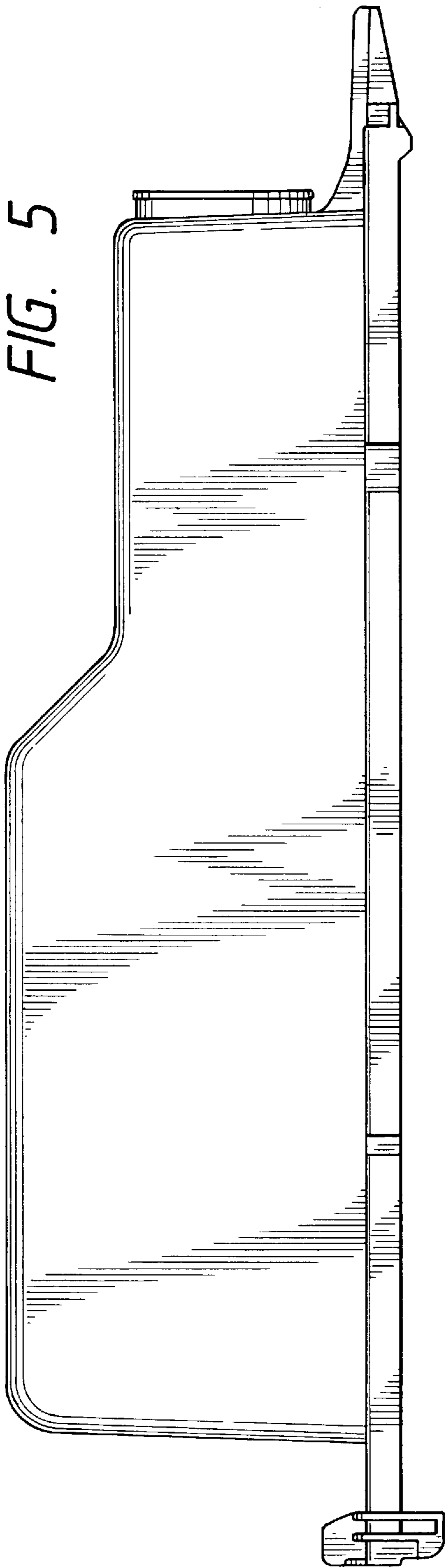


FIG. 7

